



US00D672483S

(12) **United States Design Patent**
Tedesco

(10) **Patent No.:** **US D672,483 S**

(45) **Date of Patent:** **** Dec. 11, 2012**

(54) **FINGER MOUNTED LIGHT**

(76) Inventor: **John A. Tedesco**, San Francisco, CA
(US)

(**) Term: **14 Years**

(21) Appl. No.: **29/395,399**

(22) Filed: **Jan. 12, 2012**

(51) **LOC (9) Cl.** **26-02**

(52) **U.S. Cl.** **D26/39**

(58) **Field of Classification Search** D26/37,
D26/38, 39, 46, 49, 60; 362/103-108, 157,
362/158, 184, 194-208

See application file for complete search history.

(56) **References Cited**

U.S. PATENT DOCUMENTS

D498,864 S *	11/2004	Lee	D26/37
D594,582 S *	6/2009	Petzl	D26/39
D595,883 S *	7/2009	Petzl	D26/39
D609,377 S *	2/2010	Taiga	D26/60
D616,127 S *	5/2010	Taiga	D26/60

D616,585 S *	5/2010	Taiga	D26/60
D642,714 S *	8/2011	Chuah	D26/60
D666,343 S *	8/2012	Lee	D26/39

* cited by examiner

Primary Examiner — Ian Simmons

Assistant Examiner — Carissa C Fitts

(74) *Attorney, Agent, or Firm* — Bruce H Johnsonbaugh

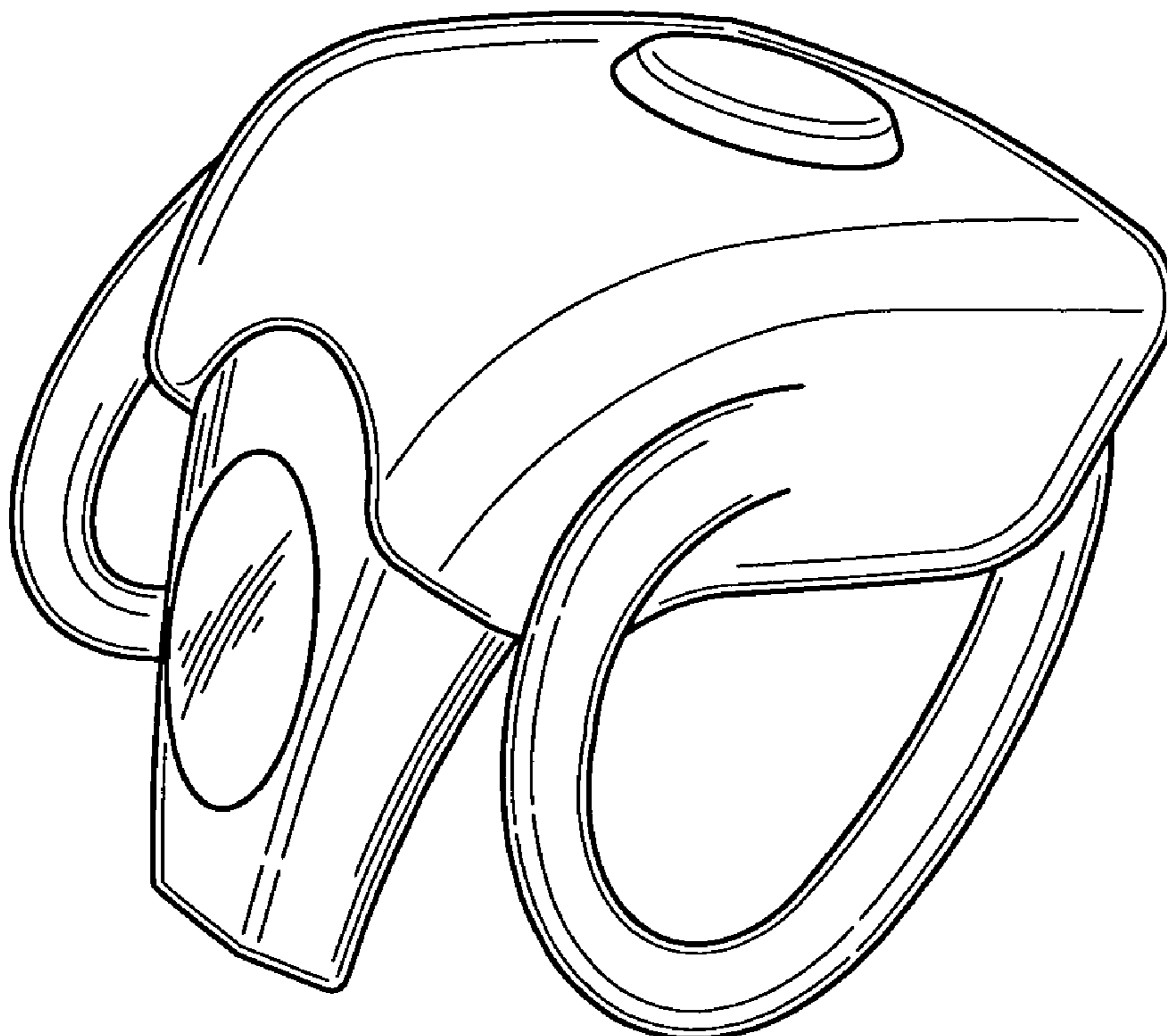
(57) **CLAIM**

The ornamental design for a finger mounted light, as shown and described.

DESCRIPTION

FIG. 1 is a perspective view of the finger mounted light, FIG. 2 is a front elevational view of the finger mounted light, FIG. 3 is a rear elevational view of the finger mounted light, FIG. 4 is a top plan view of the finger mounted light, FIG. 5 is a bottom elevational view of the finger mounted light, FIG. 6 is a right side elevational view of the finger mounted light; and, FIG. 7 is a left side elevational view of the finger mounted light.

1 Claim, 4 Drawing Sheets



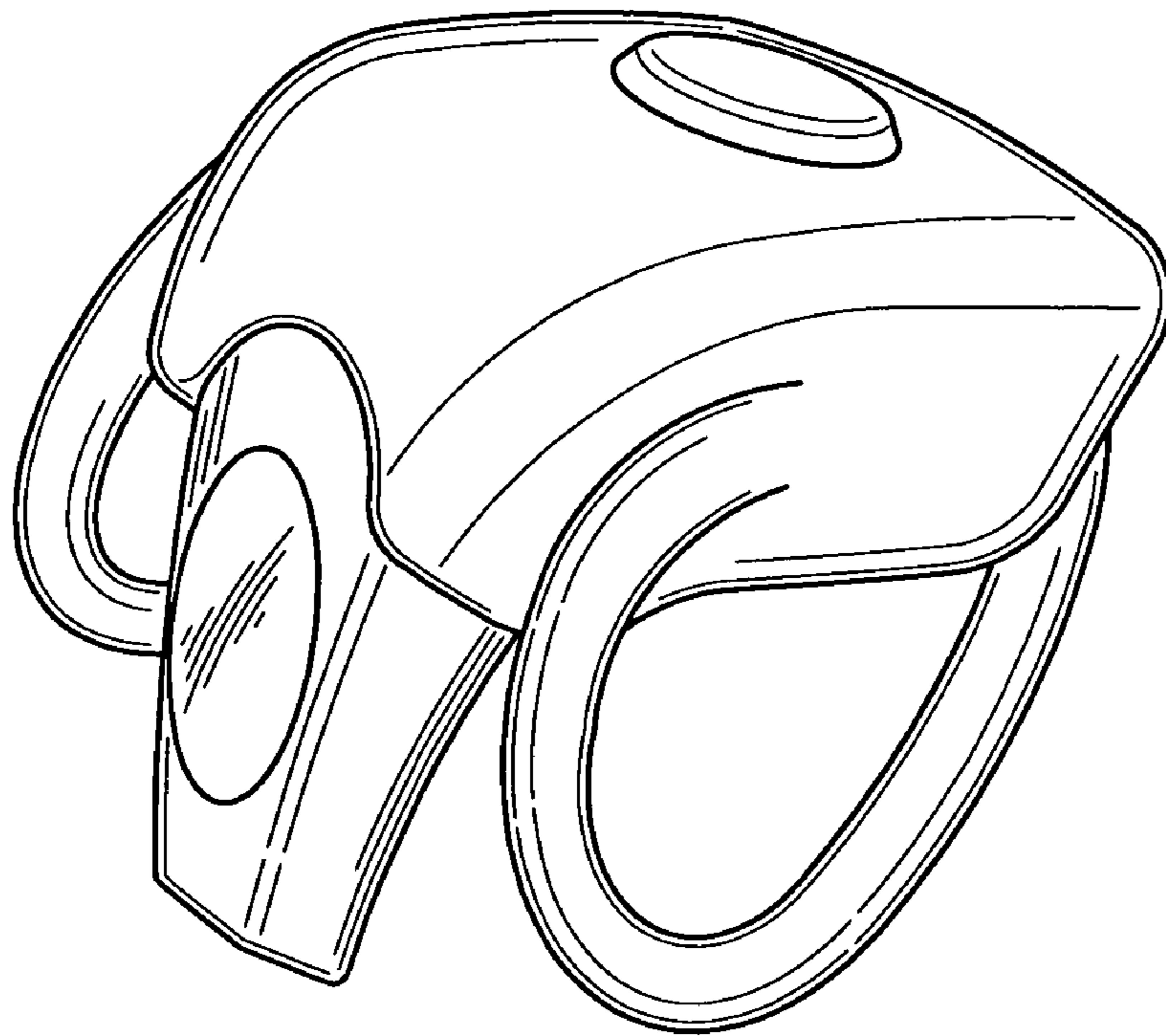


FIG. 1

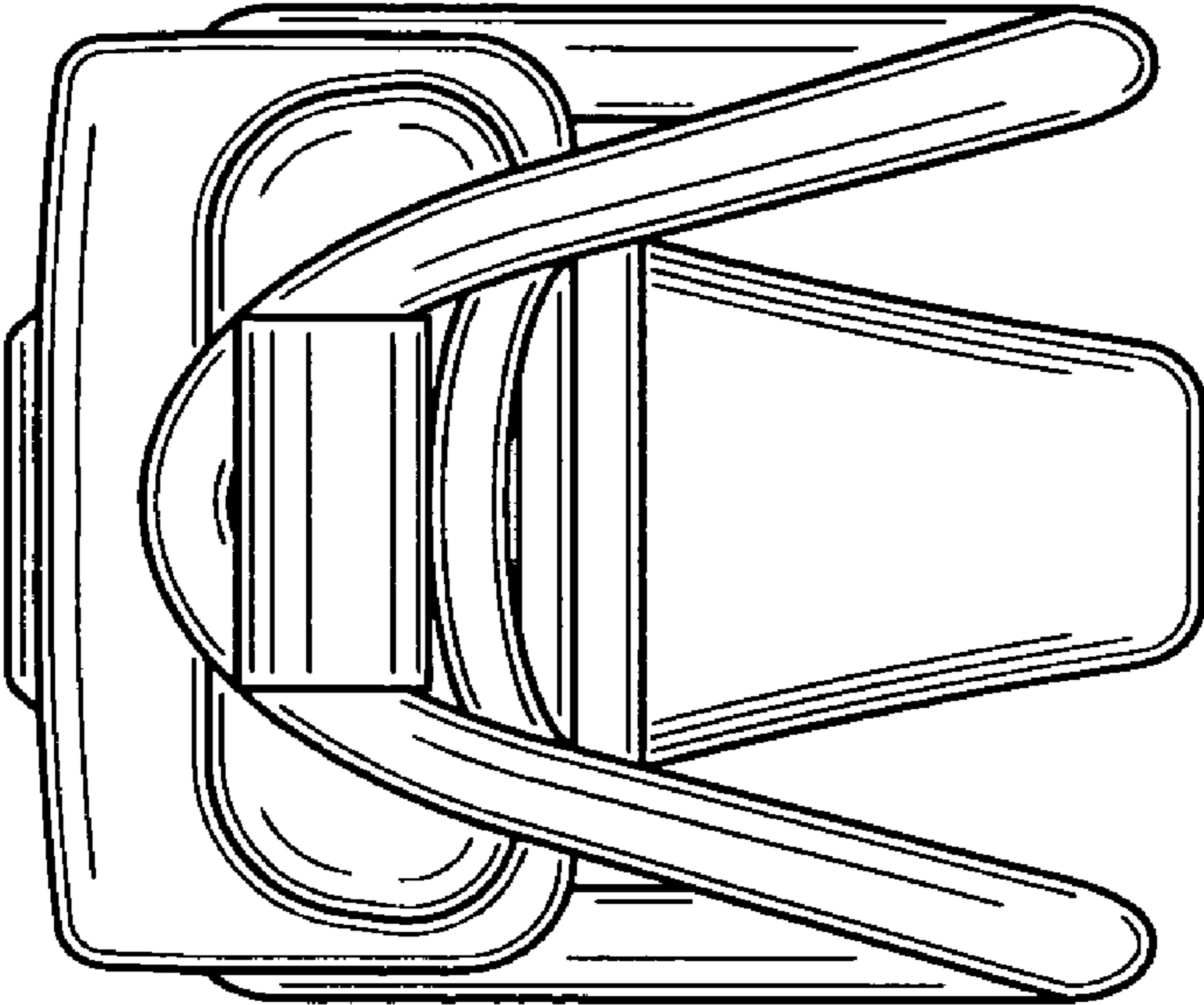


FIG. 3

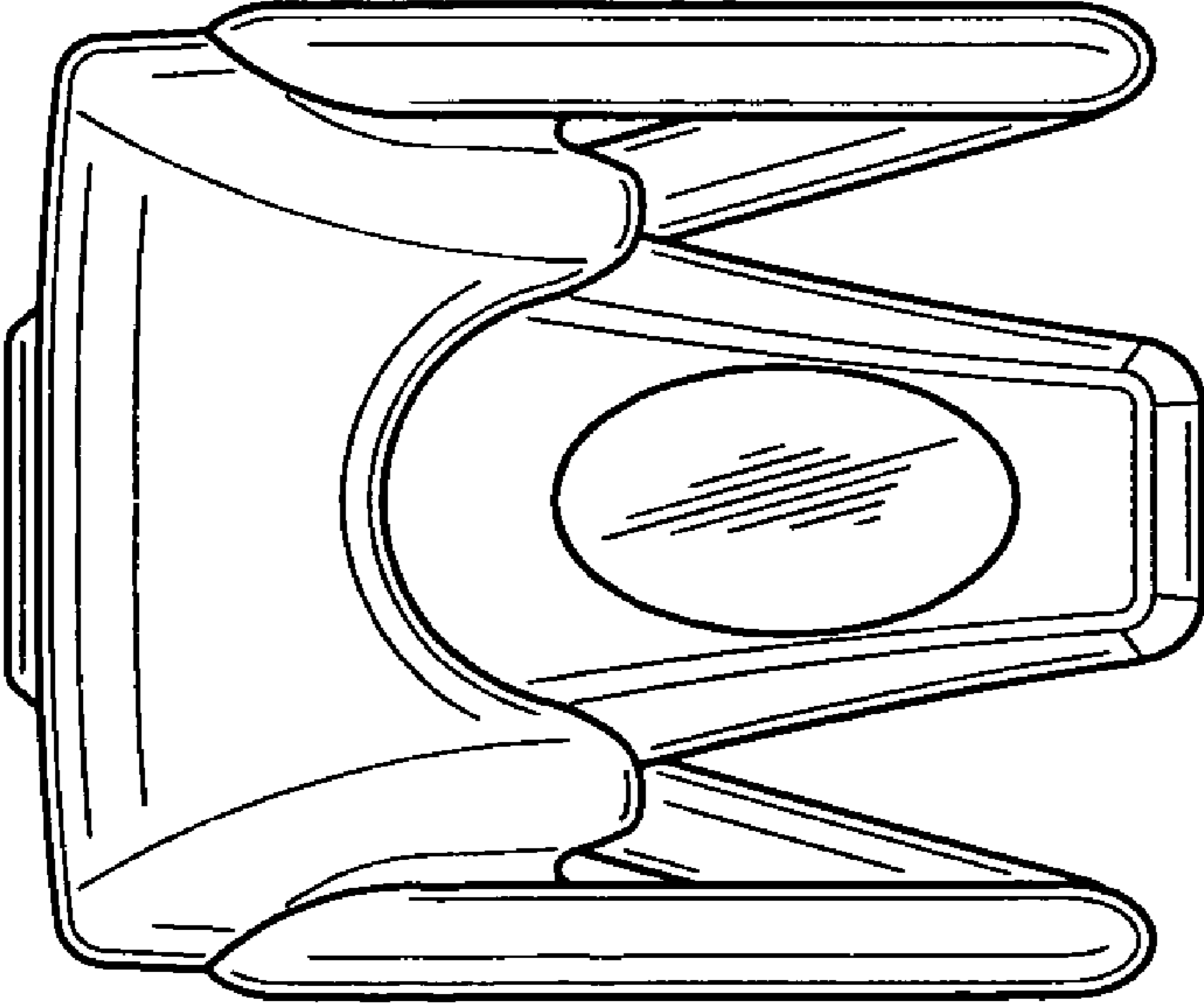


FIG. 2

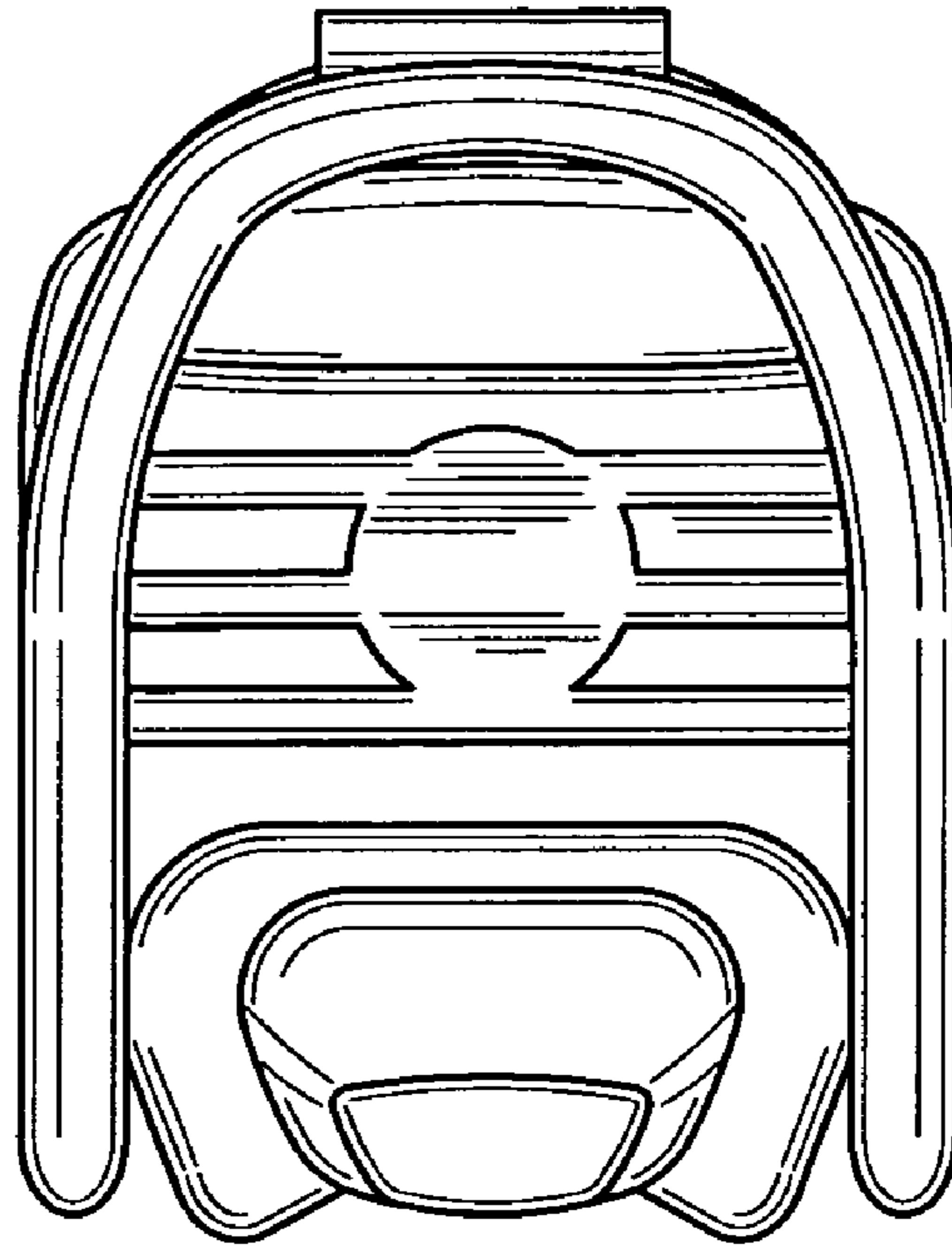


FIG. 5

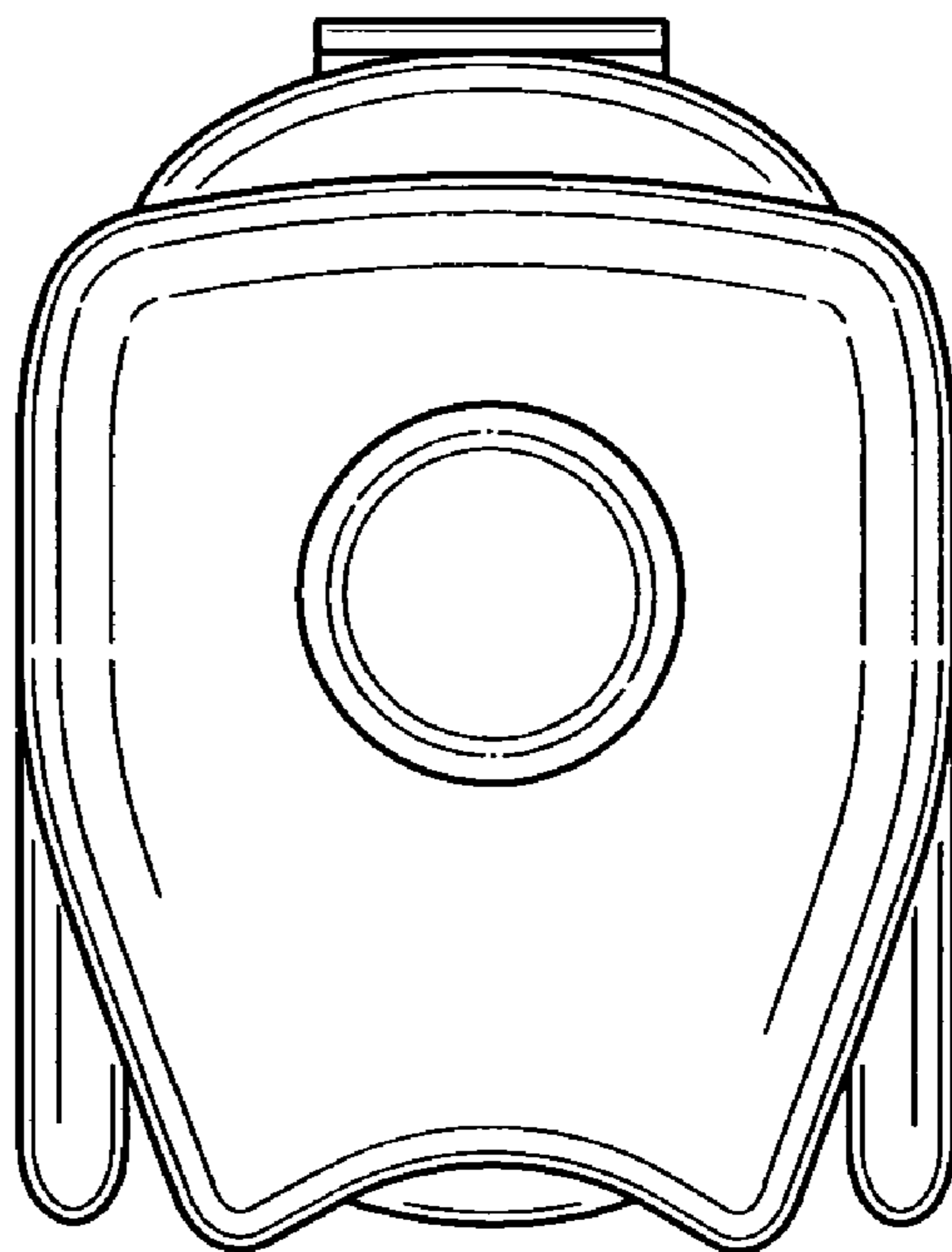


FIG. 4

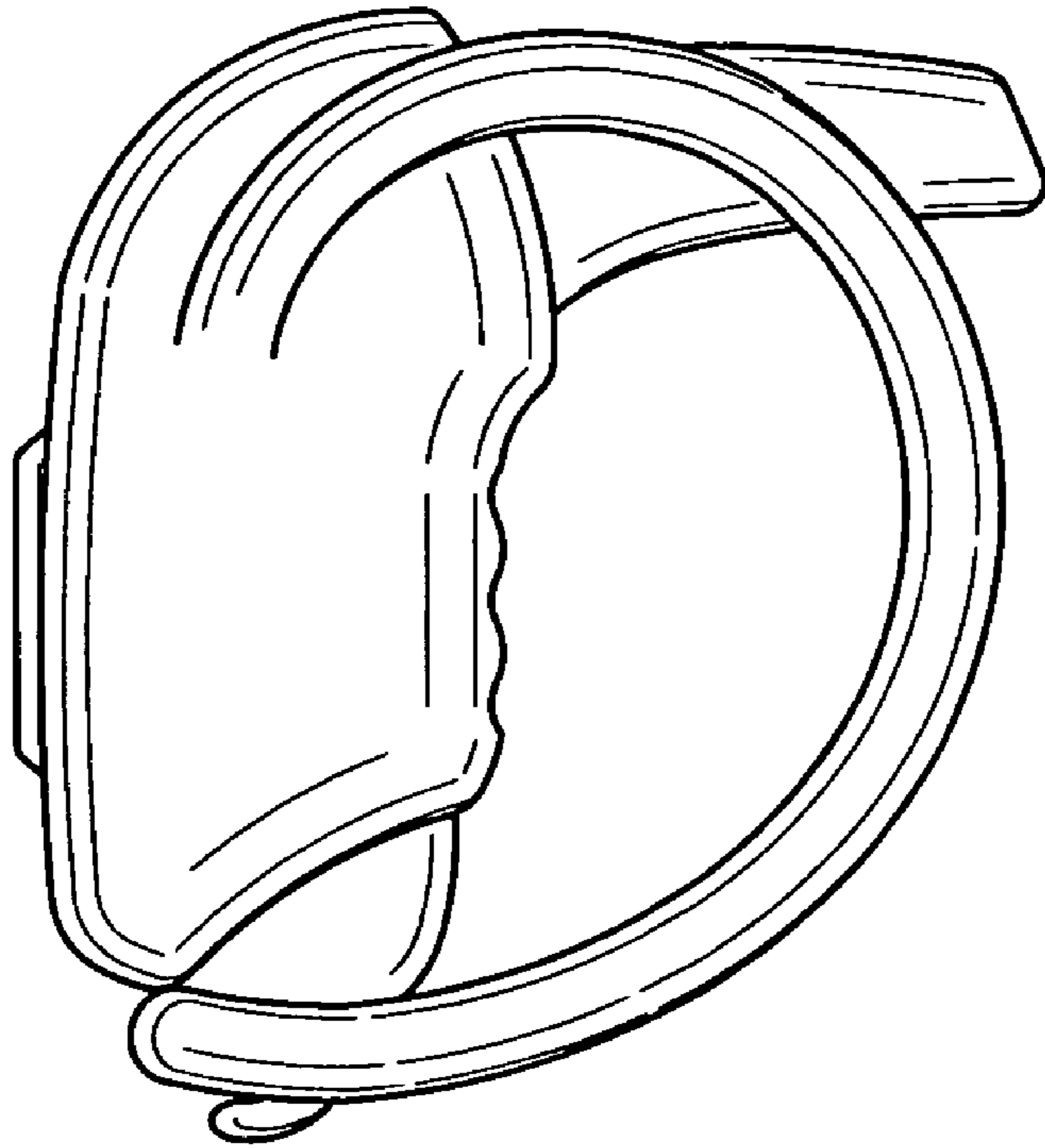


FIG. 7

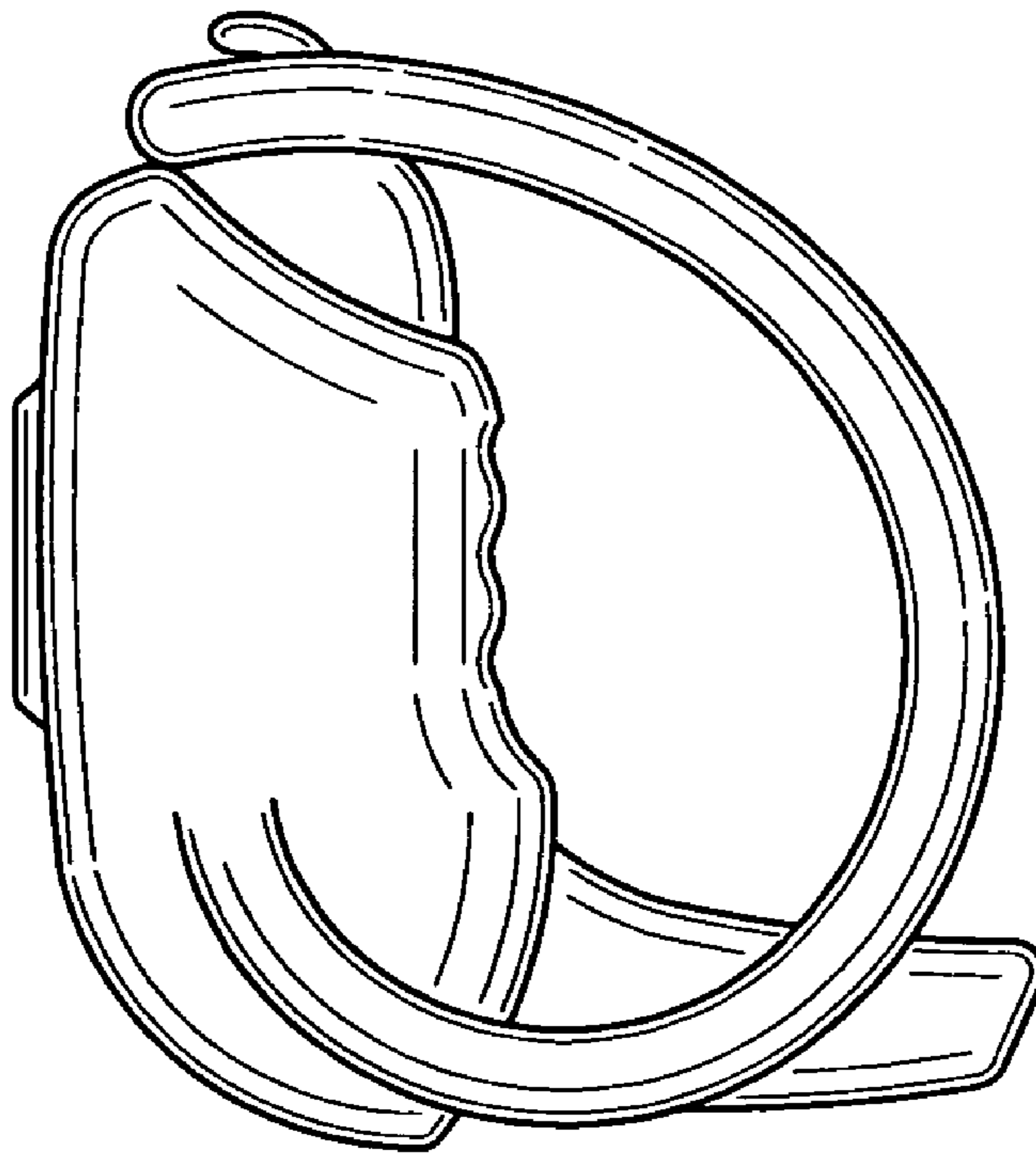


FIG. 6