



US00D672482S

(12) **United States Design Patent**
Lee et al.

(10) **Patent No.:** **US D672,482 S**
(45) **Date of Patent:** **** Dec. 11, 2012**

(54) **COMBINATION LAMP FOR AN
AUTOMOBILE**

(75) Inventors: **Chung Lee**, Ann Arbor, MI (US); **Kengo
Iwanaga**, Ann Arbor, MI (US)

(73) Assignee: **Toyota Jidosha Kabushiki Kaisha** (JP)

(**) Term: **14 Years**

(21) Appl. No.: **29/393,121**

(22) Filed: **May 31, 2011**

(51) **LOC (9) Cl.** **26-06**

(52) **U.S. Cl.** **D26/28**

(58) **Field of Classification Search** D26/28-36;
362/459-468, 475-478, 485-487

See application file for complete search history.

(56) **References Cited**

U.S. PATENT DOCUMENTS

D528,681 S *	9/2006	Nakahara	D26/28
D535,764 S *	1/2007	Yamaguchi	D26/28
D536,810 S *	2/2007	Ishikura	D26/28
D538,956 S *	3/2007	Ishii	D26/28
D544,614 S *	6/2007	Markefka	D26/28
D560,291 S *	1/2008	Koyama	D26/28

OTHER PUBLICATIONS

Audi, Audi A3 Cabriolet (2008), NetCarShow.com, http://www.netcarshow.com/audi/2008-a3_cabriolet/, Sep. 30, 2010.

Audi, Audi Q5 (2009), NetCarShow.com, <http://www.netcarshow.com/audi/2009-q5/>, Sep. 30, 2010.

Saab, Saab 9-3 Sport Combi (2008), NetCarShow.com, http://www.netcarshow.com/saab/2008-9-3_sportcombi/, Sep. 30, 2010.

* cited by examiner

Primary Examiner — Marcus Jackson

(74) *Attorney, Agent, or Firm* — SAIDMAN DesignLaw Group

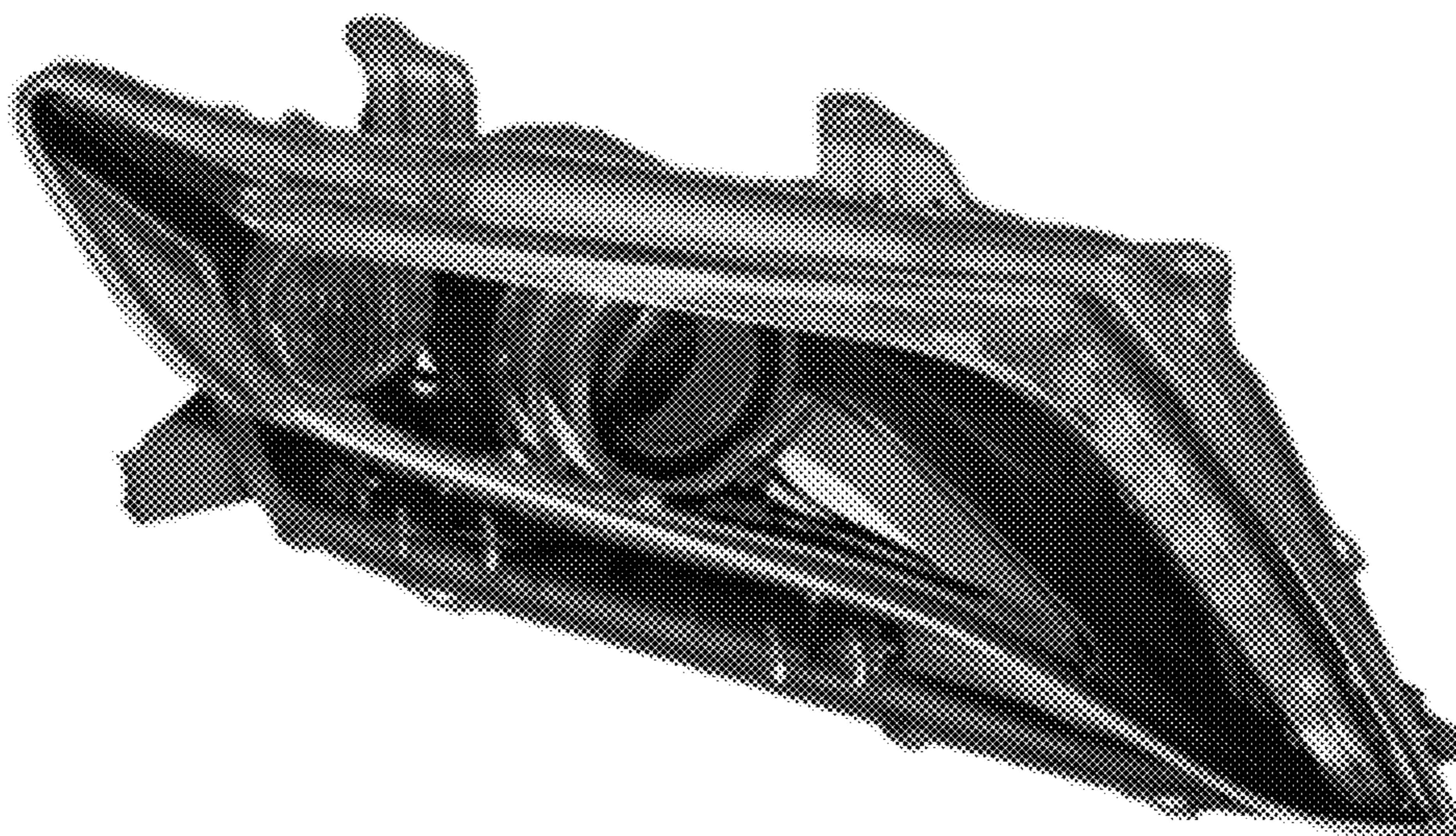
(57) **CLAIM**

The ornamental design for a combination lamp for an automobile, as shown and described.

DESCRIPTION

FIG. 1 is a perspective view of a combination lamp for an automobile showing our new design;
FIG. 2 is a front view thereof;
FIG. 3 is a rear view thereof;
FIG. 4 is a top view thereof;
FIG. 5 is a bottom view thereof;
FIG. 6 is a left side view thereof; and,
FIG. 7 is a right side view thereof.

1 Claim, 3 Drawing Sheets



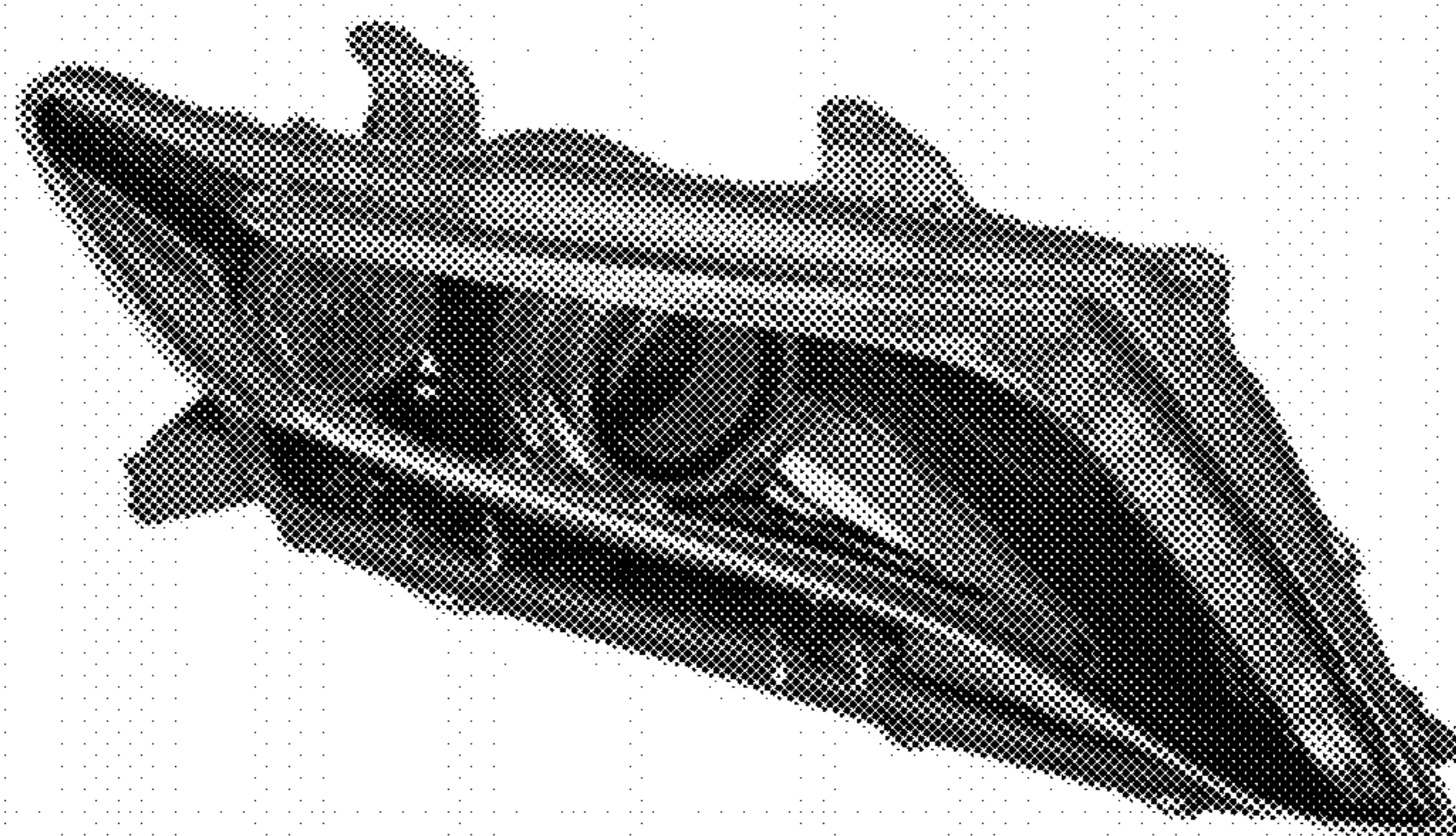


FIG. 1

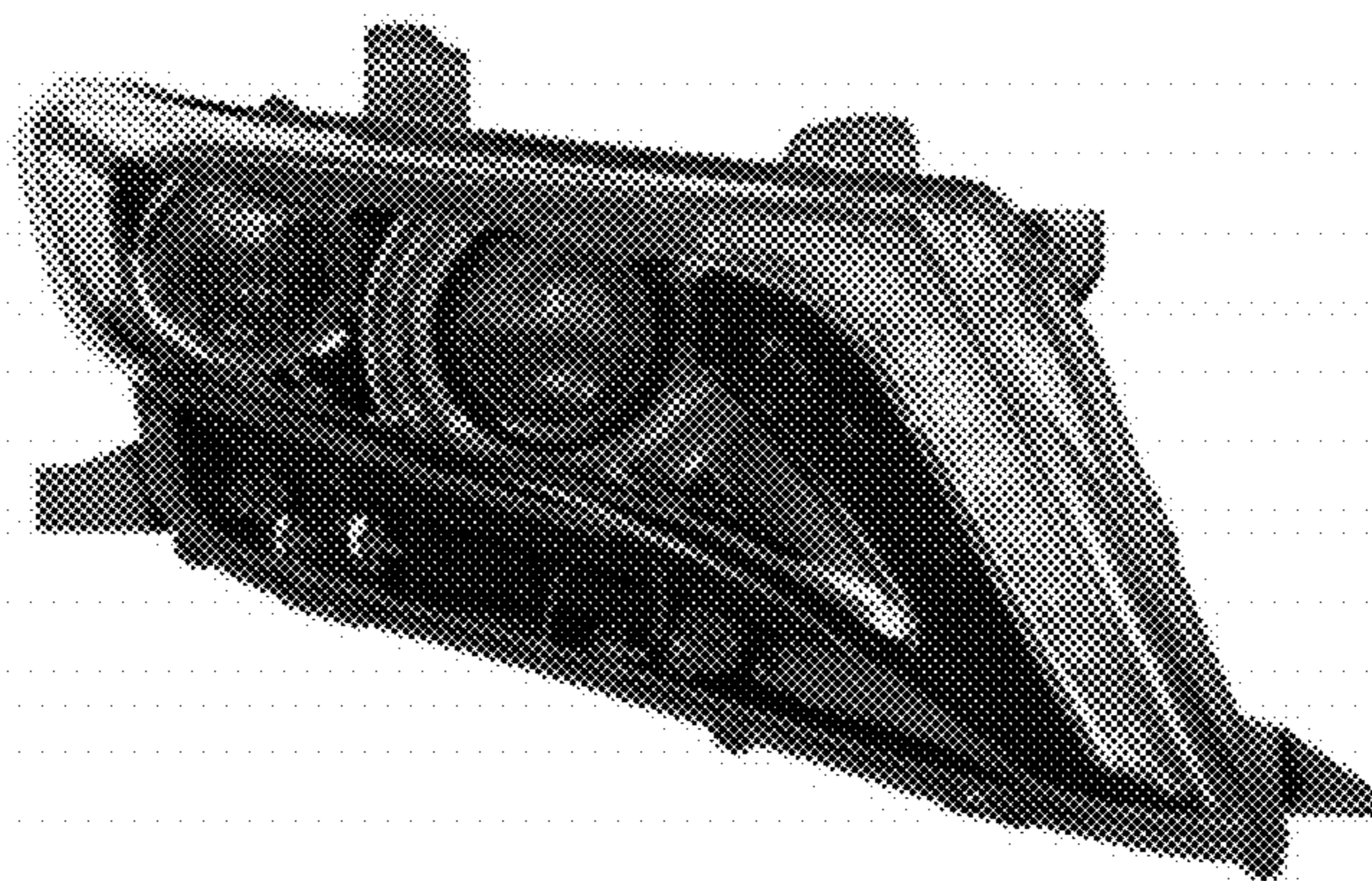


FIG. 2

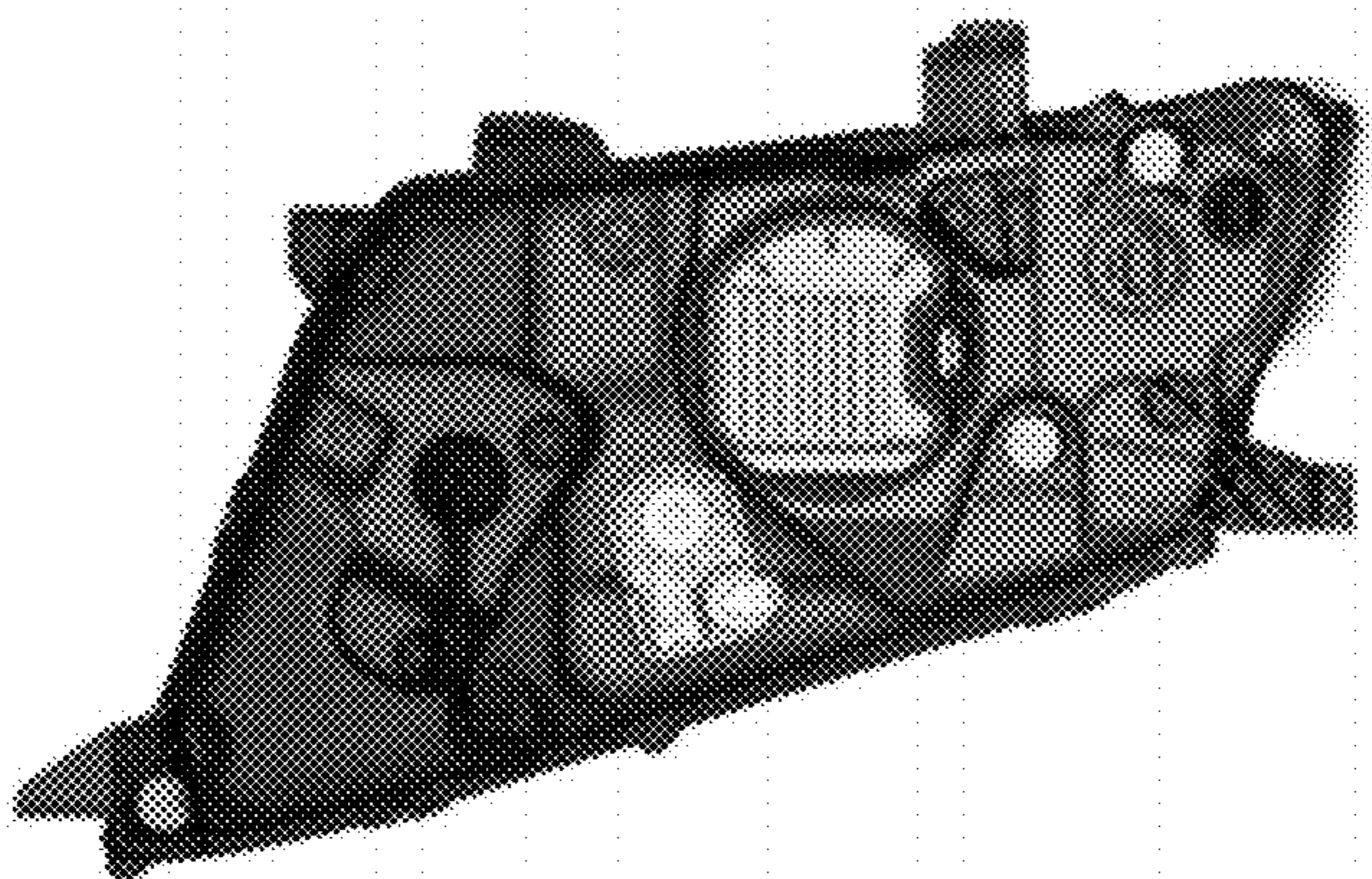


FIG. 3

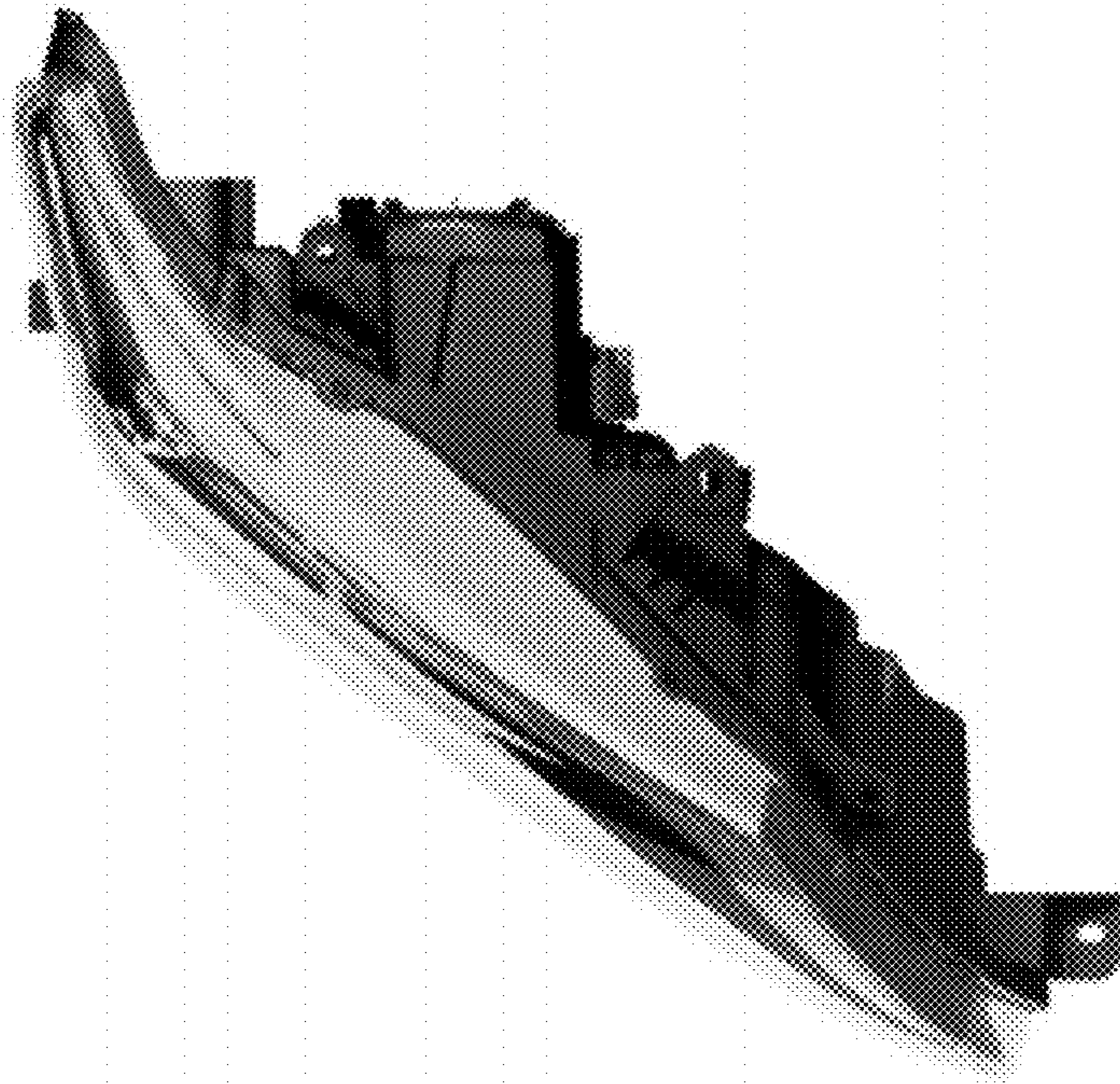


FIG. 4

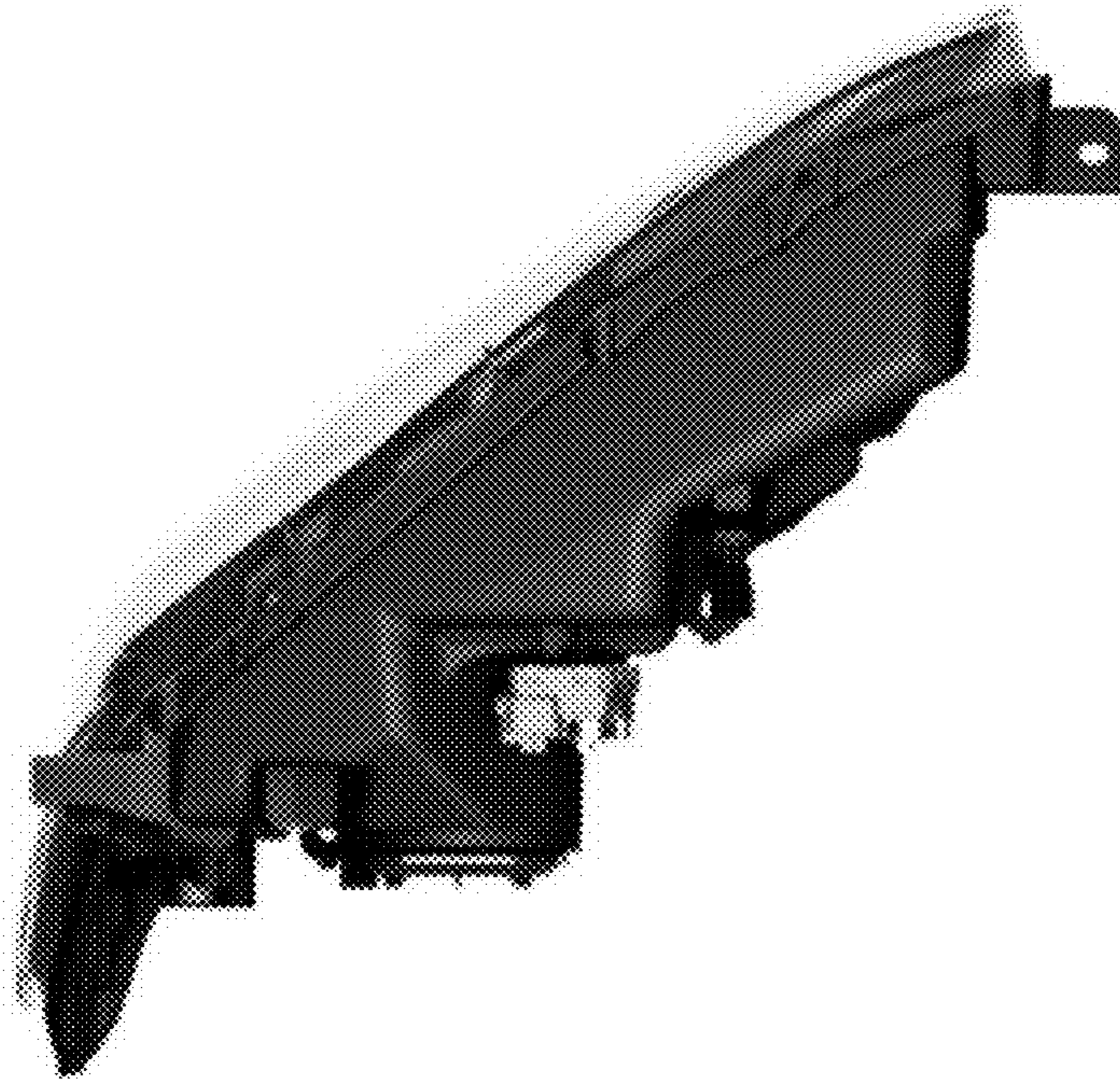


FIG. 5

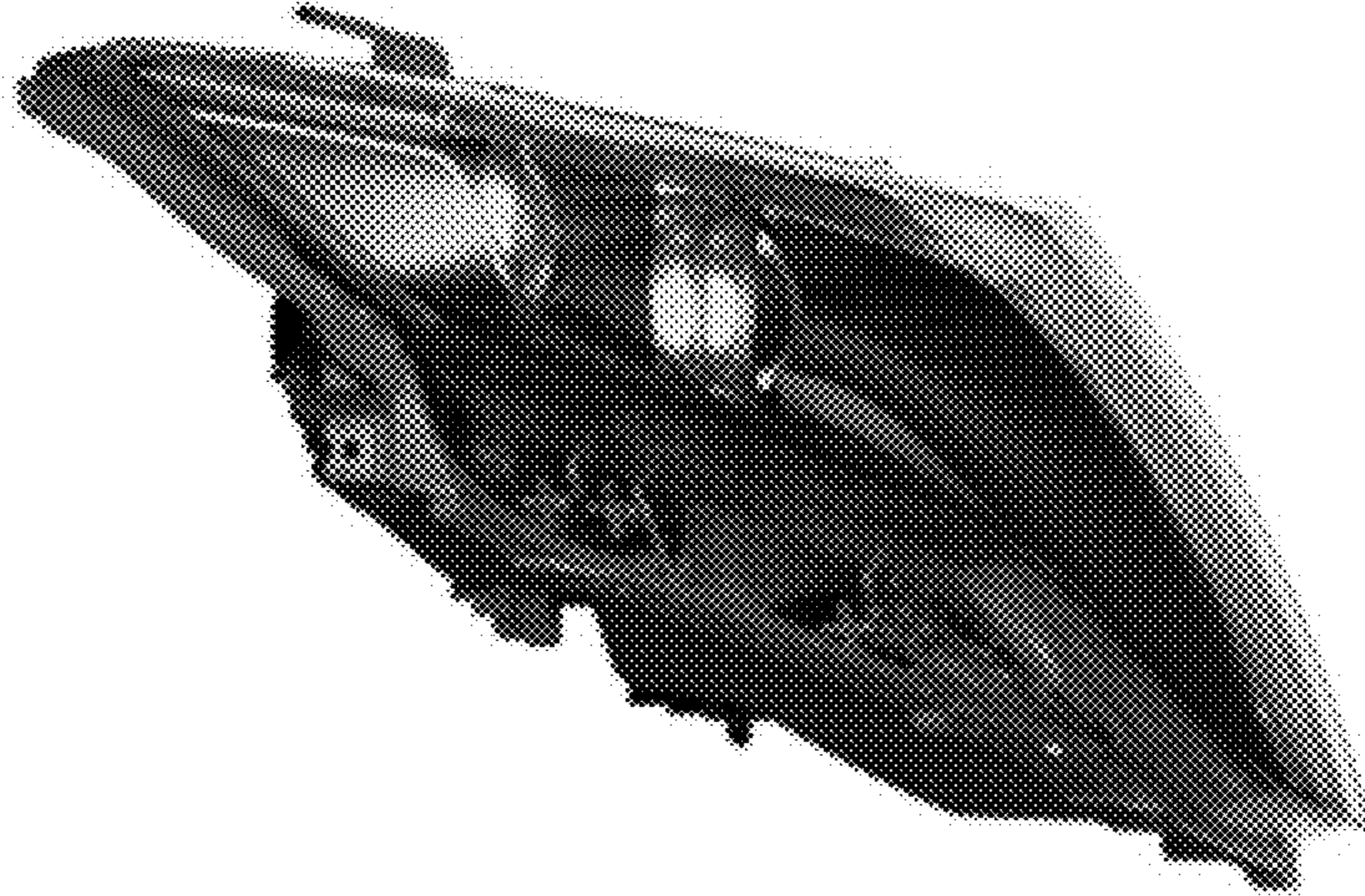


FIG. 6

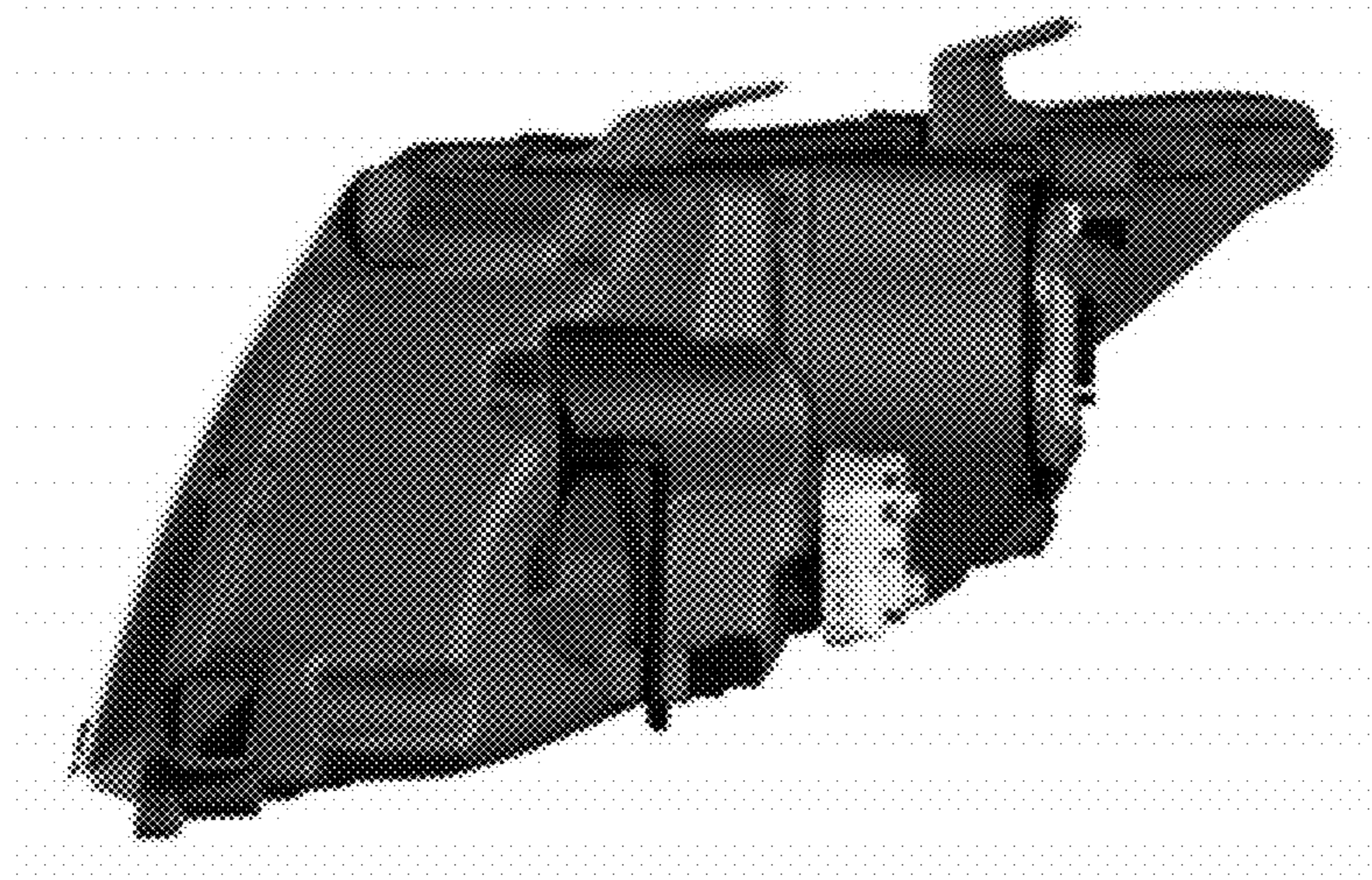


FIG. 7