



US00D672480S

(12) **United States Design Patent**  
**Maxik et al.**

(10) **Patent No.:** **US D672,480 S**  
(45) **Date of Patent:** **\*\* Dec. 11, 2012**

(54) **LUMINAIRE**

(75) Inventors: **Fredric S. Maxik**, Indialantic, FL (US);  
**David Henderson**, Indialantic, FL (US);  
**Mark Penley Boomgaarden**, Indian Harbour Beach, FL (US); **Addy S. Widjaja**, Palm Bay, FL (US); **Emilio Flores**, Indian Harbor, FL (US); **Shane Sullivan**, Indialantic, FL (US); **Wei Sun**, Davie, FL (US)

D391,006 S 2/1998 Yang  
5,791,769 A 8/1998 Yang  
D470,610 S 2/2003 Bobel  
6,515,433 B1 2/2003 Ge et al.  
D480,486 S 10/2003 Kakuno et al.  
6,655,823 B2 12/2003 Chang

(Continued)

**FOREIGN PATENT DOCUMENTS**

WO 2006118457 11/2006  
(Continued)

(73) Assignee: **Lighting Science Group Corporation**, Satellite Beach, FL (US)

**OTHER PUBLICATIONS**

<http://img.diytrade.com/cdimg/395588/7678937/...> <http://images.google.com/imgres?imgurl=http://img.diytrade.com/cdimg/3...>

(Continued)

(\*\*) Term: **14 Years**

(21) Appl. No.: **29/416,782**

(22) Filed: **Mar. 27, 2012**

*Primary Examiner* — Marcus Jackson

(74) *Attorney, Agent, or Firm* — Cantor Colburn LLP

**Related U.S. Application Data**

(62) Division of application No. 29/360,983, filed on May 4, 2010, now Pat. No. Des. 658,791.

(51) **LOC (9) Cl.** ..... **26-04**

(52) **U.S. Cl.** ..... **D26/2**

(58) **Field of Classification Search** ..... D26/1-4;  
313/313, 315, 316, 317, 318, 493; 315/52,  
315/53, 56, 57, 58

See application file for complete search history.

(57)

**CLAIM**

We claim, the ornamental design for a luminaire, as shown and described.

**DESCRIPTION**

FIG. 1 is a side plan view of a first embodiment of the invention;

FIG. 2 is a top plan view of the embodiment of FIG. 1;

FIG. 3 is a bottom plan view of the embodiment of FIG. 1;

FIG. 4 is a first perspective view of the embodiment of FIG. 1; and,

FIG. 5 is a second perspective view of the embodiment of FIG. 1.

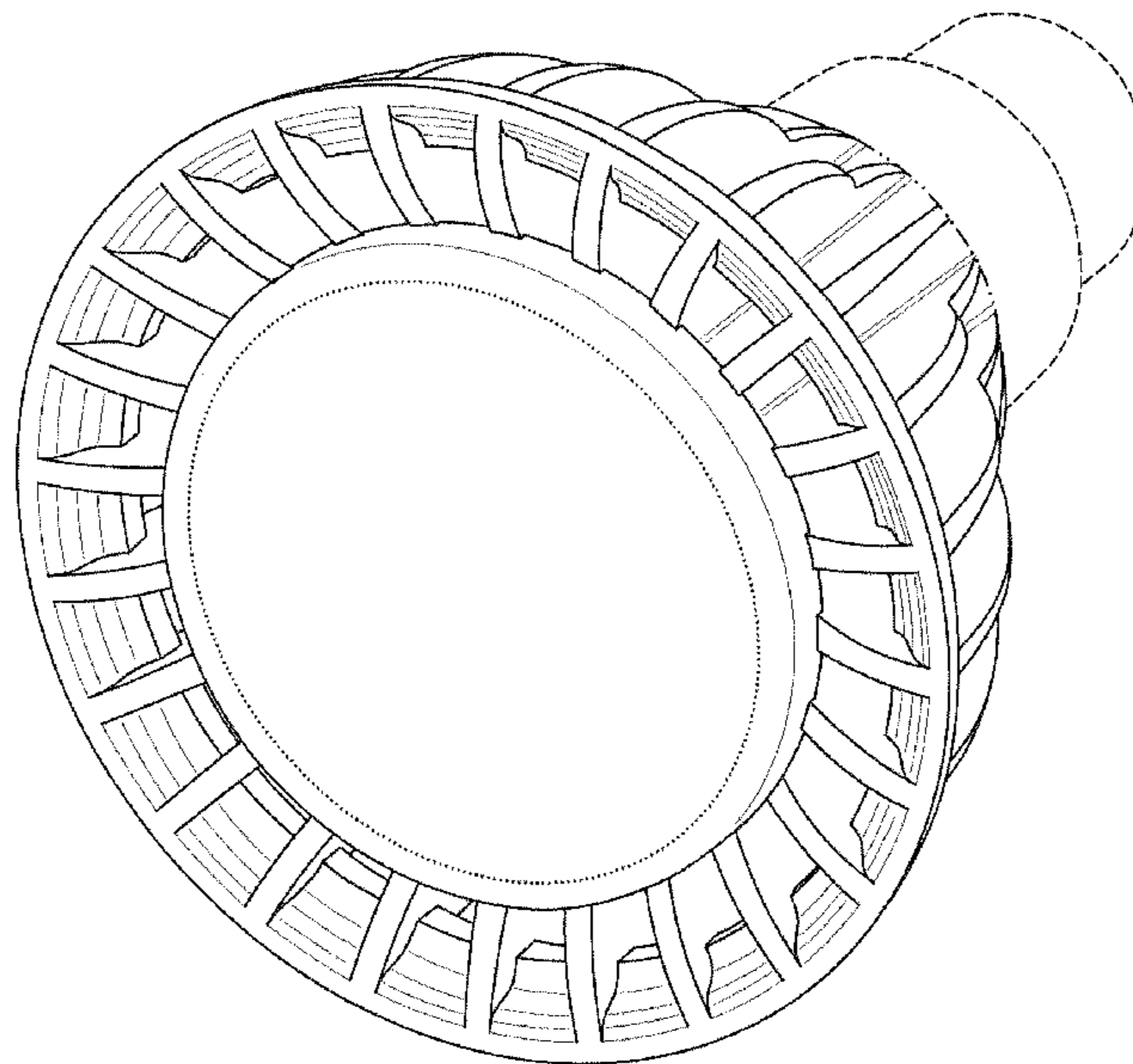
The broken line showing of top and bottom of the bulb is included for the purpose of illustrating only and forms no part of the claimed design.

(56) **References Cited**

**U.S. PATENT DOCUMENTS**

4,375,607 A 3/1983 Morton et al.  
4,392,076 A 7/1983 Ishler et al.  
D271,424 S 11/1983 Young et al.  
D307,805 S 5/1990 Noe  
D321,260 S 10/1991 Bowman  
5,458,505 A 10/1995 Prager

**1 Claim, 5 Drawing Sheets**



# US D672,480 S

## U.S. PATENT DOCUMENTS

6,786,625 B2 9/2004 Wesson  
D497,439 S 10/2004 Shaw et al.  
6,848,812 B1 2/2005 Hsieh  
D508,575 S 8/2005 Buschmann et al.  
D516,229 S 2/2006 Tang  
D527,119 S 8/2006 Maxik et al.  
D528,227 S 9/2006 Chou et al.  
D528,673 S 9/2006 Maxik et al.  
D531,741 S 11/2006 Takahashi  
D534,665 S 1/2007 Egawa et al.  
D538,950 S 3/2007 Maxik  
D538,951 S 3/2007 Maxik et al.  
D538,952 S 3/2007 Maxik et al.  
D541,957 S 5/2007 Wang  
D542,943 S 5/2007 Wang  
D545,457 S 6/2007 Chen  
7,226,189 B2 6/2007 Lee et al.  
D546,980 S 7/2007 Lo  
D549,854 S 8/2007 Takahashi  
D560,286 S 1/2008 Maxik et al.  
D563,572 S 3/2008 Lukacs  
D566,300 S 4/2008 Lo  
7,367,688 B1 5/2008 Bucher et al.  
D570,504 S 6/2008 Maxik et al.  
D570,505 S 6/2008 Maxik et al.  
D572,385 S 7/2008 Mazzochette et al.  
7,434,964 B1 10/2008 Zheng et al.  
D581,554 S 11/2008 To et al.  
D581,583 S 11/2008 Peng  
7,448,772 B2 11/2008 Hampton  
D584,837 S 1/2009 Mazzochette et al.  
D586,497 S 2/2009 Wu et al.  
7,513,653 B1 4/2009 Liu et al.  
D593,222 S 5/2009 To et al.  
D594,143 S 6/2009 Montagnat et al.  
D594,995 S 6/2009 Komar  
D595,893 S 7/2009 Maxik et al.  
D597,225 S 7/2009 Yoo  
D597,704 S 8/2009 Peng  
D599,041 S 8/2009 Yoo  
D600,850 S 9/2009 Maxik et al.  
D601,275 S 9/2009 Ho et al.  
D601,276 S 9/2009 Grajcar  
D601,277 S 9/2009 Grajcar  
D601,278 S 9/2009 Takahashi  
D601,279 S 9/2009 Ou et al.  
D607,586 S 1/2010 Ko  
D608,478 S 1/2010 Maxik et al.  
D610,271 S 2/2010 Bi  
D610,722 S 2/2010 Bi  
D612,956 S 3/2010 Moon  
D613,433 S 4/2010 Moon  
7,717,590 B1 5/2010 Li  
D617,915 S 6/2010 Wada et al.  
D618,369 S 6/2010 Lee et al.  
D620,153 S 7/2010 Wang et al.

D621,973 S 8/2010 Grajcar  
D621,974 S 8/2010 Grajcar  
D623,777 S 9/2010 Moon et al.  
D623,778 S 9/2010 Moon et al.  
D623,779 S 9/2010 Wang et al.  
D624,214 S 9/2010 Thomas et al.  
D624,215 S 9/2010 Moon et al.  
D624,669 S 9/2010 Tsai  
D625,437 S 10/2010 Zhang et al.  
D626,260 S 10/2010 Wei  
D626,667 S 11/2010 Jonsson et al.  
D627,087 S 11/2010 Jonsson et al.  
D628,322 S 11/2010 Sakai et al.  
D628,720 S 12/2010 Wang  
D629,129 S 12/2010 Lin et al.  
D629,930 S 12/2010 Cotter et al.  
D630,347 S 1/2011 Pei et al.  
D634,031 S 3/2011 de Visser et al.  
D634,037 S 3/2011 Jeong et al.  
D635,105 S 3/2011 Maxik et al.  
D636,902 S 4/2011 Pei et al.  
D636,904 S 4/2011 Leahy et al.  
D640,820 S 6/2011 Hopper  
D646,409 S 10/2011 MacDonald et al.  
D648,041 S 11/2011 Mahler et al.  
D650,495 S 12/2011 Foo  
D652,564 S 1/2012 Maxik  
D654,192 S 2/2012 Maxik et al.  
D656,631 S 3/2012 Leahy et al.  
D658,791 S 5/2012 Maxik et al.  
D659,266 S \* 5/2012 Maxik et al. .... D26/2  
D662,627 S 6/2012 Pan  
D663,051 S 7/2012 Xu et al.  
D663,057 S 7/2012 Pan  
D663,446 S 7/2012 Maxik et al.  
D665,107 S 8/2012 Tu  
2006/0215408 A1 9/2006 Lee  
2007/0285926 A1 12/2007 Maxik  
2008/0253125 A1 10/2008 Kang et al.  
2009/0141500 A1 6/2009 Peng  
2009/0296402 A1 12/2009 Chang et al.  
2010/0027270 A1 2/2010 Huang et al.  
2010/0091487 A1 4/2010 Shin

## FOREIGN PATENT DOCUMENTS

WO 2008113837 A2 9/2008

## OTHER PUBLICATIONS

SP-E27 LB60 Nicha / Cree LED Lamp, posted Dec. 18, 2008, [http://www.diytrade.com/china/4/products/4950147/SP-E27\\_LB60\\_Nicha\\_Cree\\_LED\\_Lamp.html](http://www.diytrade.com/china/4/products/4950147/SP-E27_LB60_Nicha_Cree_LED_Lamp.html), accessed Jun. 30, 2009.  
F.S. Maxik, "GU10 Lamp" Office Action mailed Mar. 16, 2011; U.S. Appl. No. 29/340,670, filed Jul. 23, 2009.

\* cited by examiner

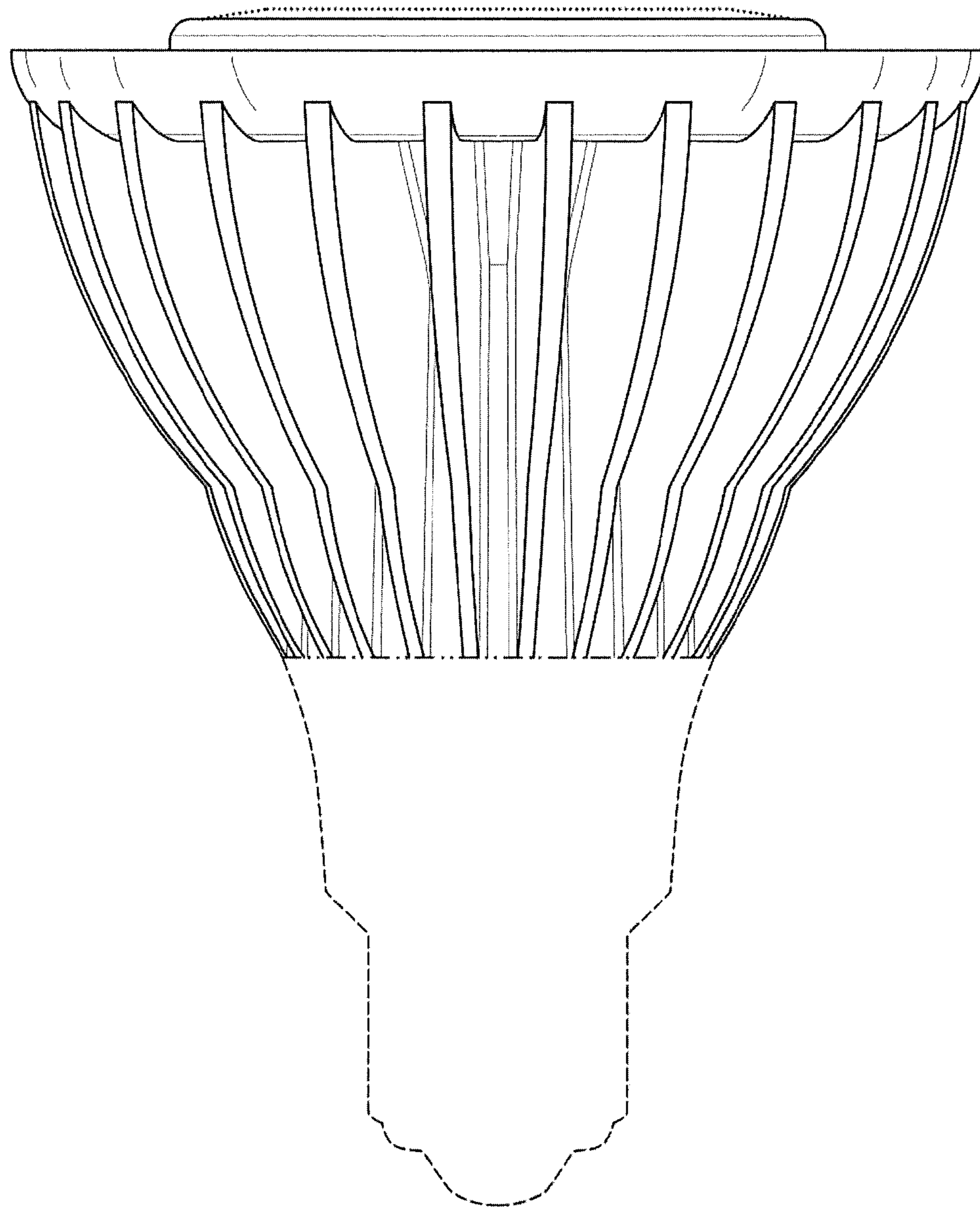
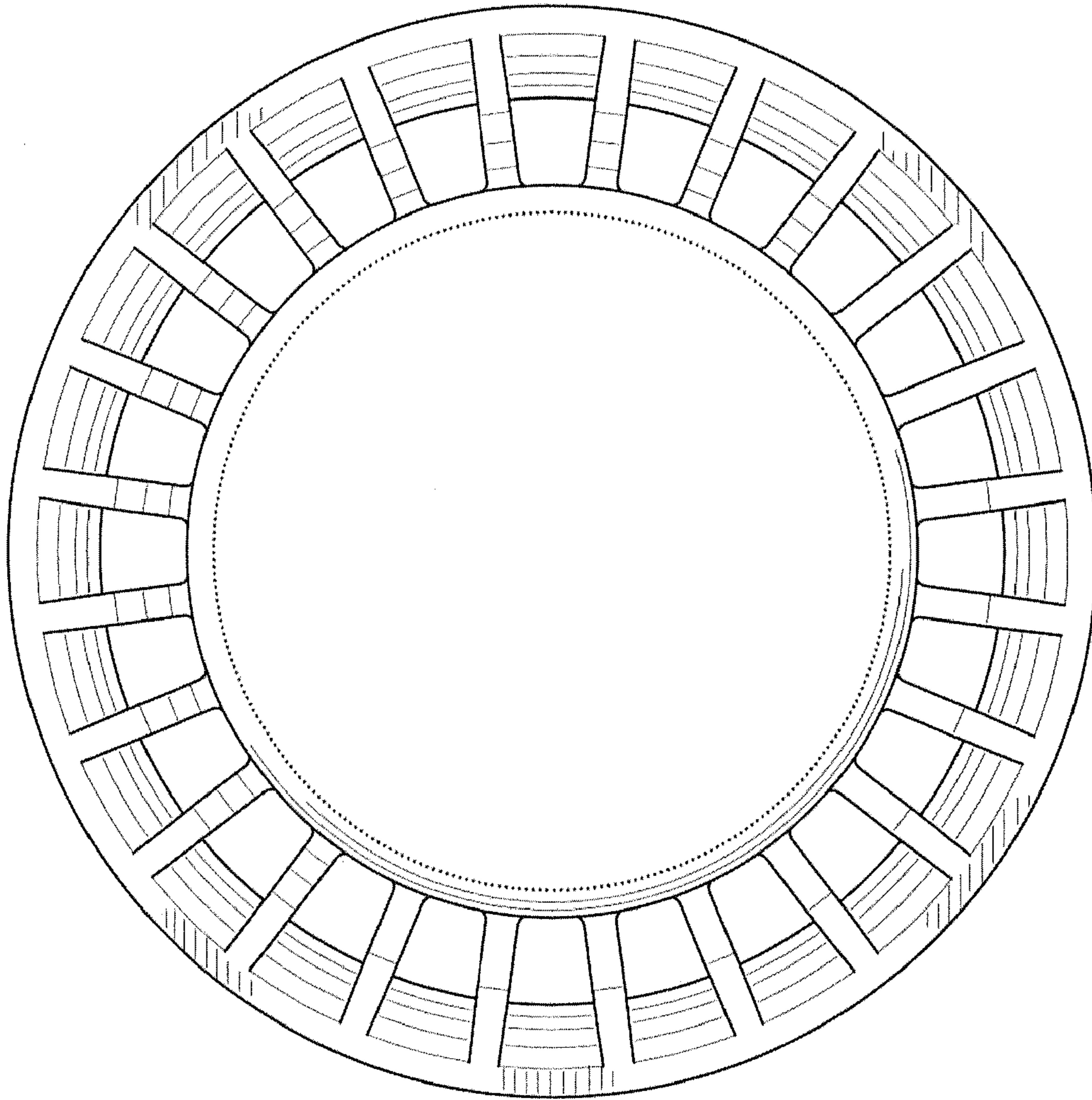


FIG 1



**FIG 2**

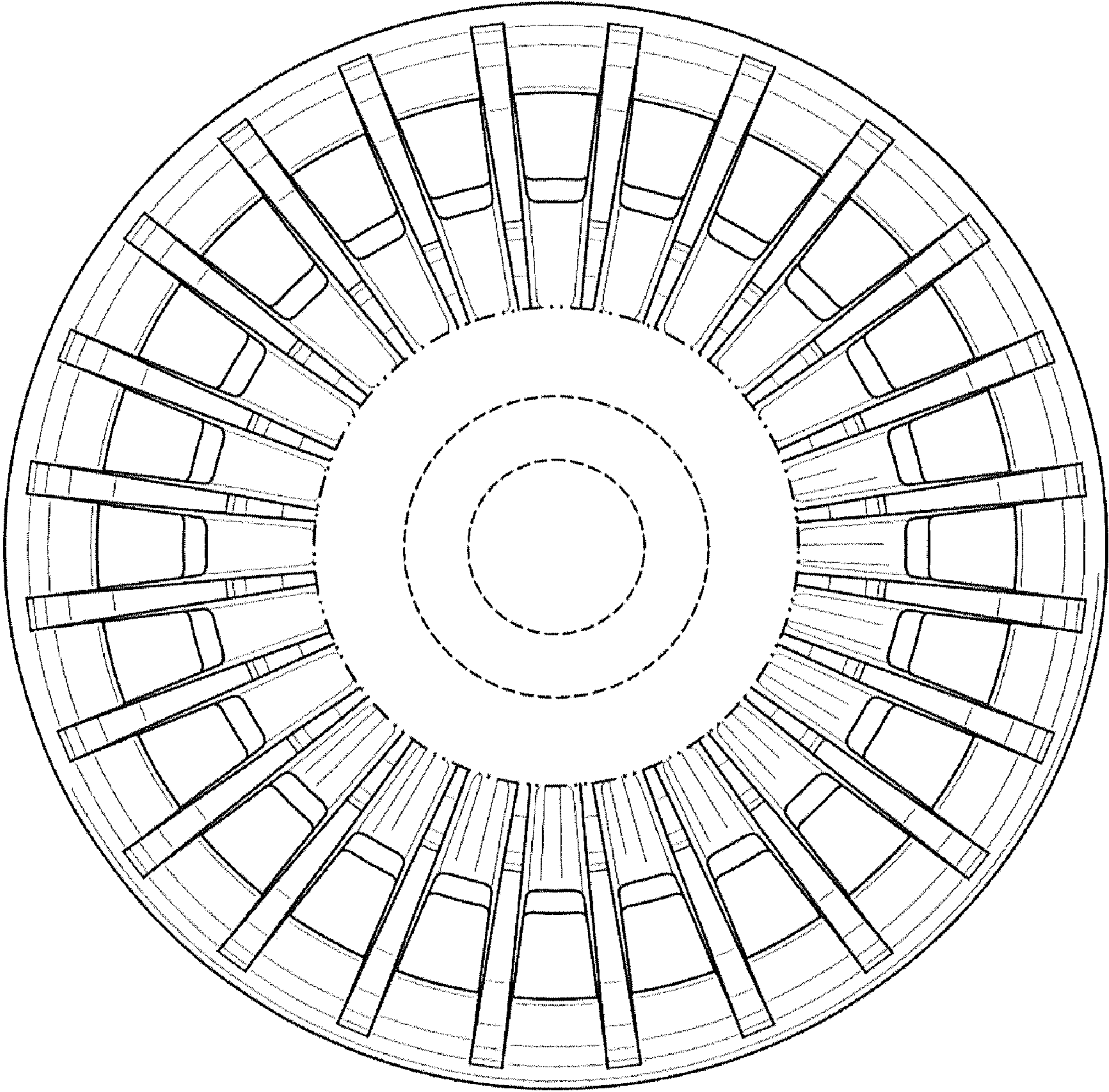


FIG 3

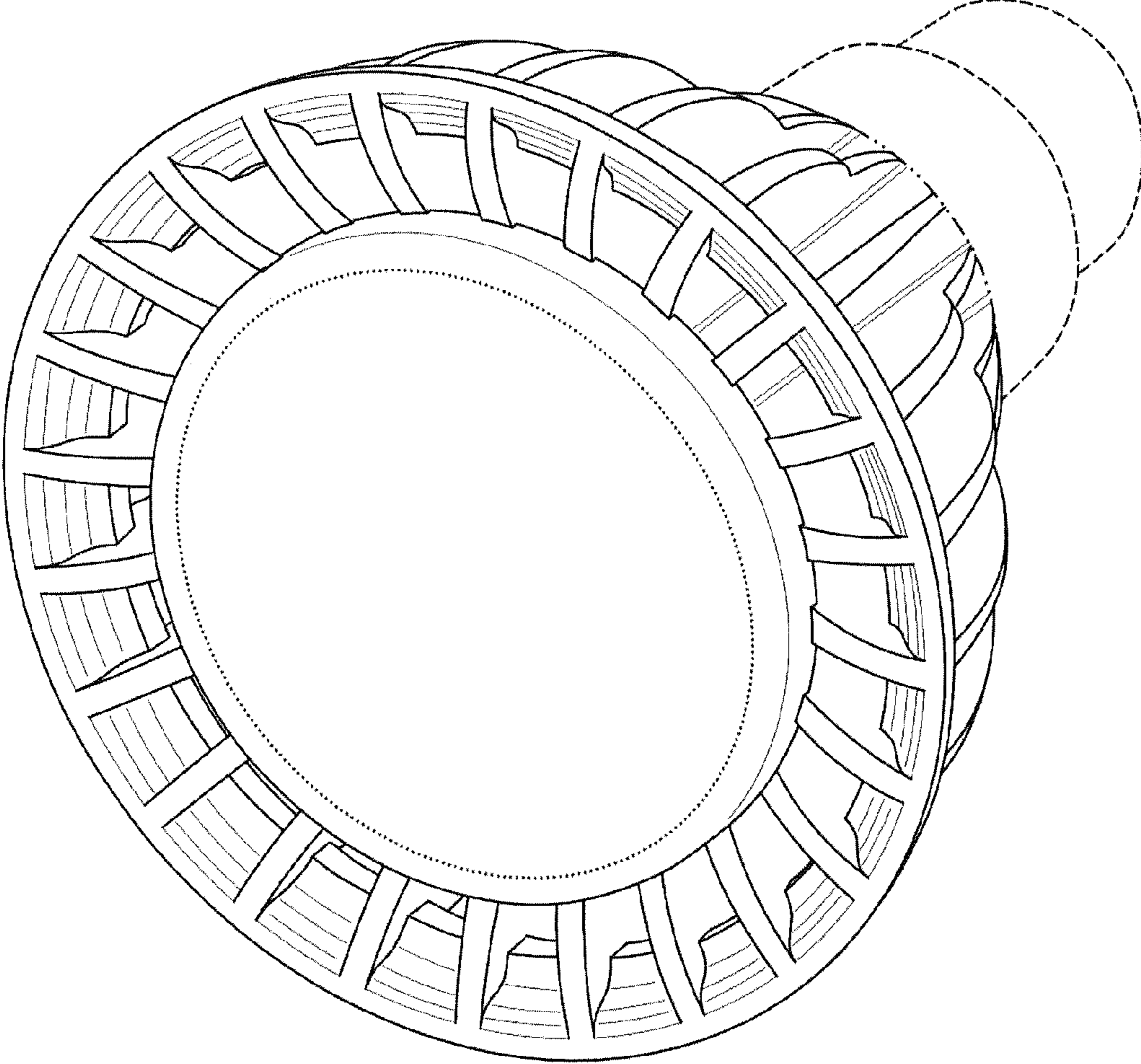


FIG 4

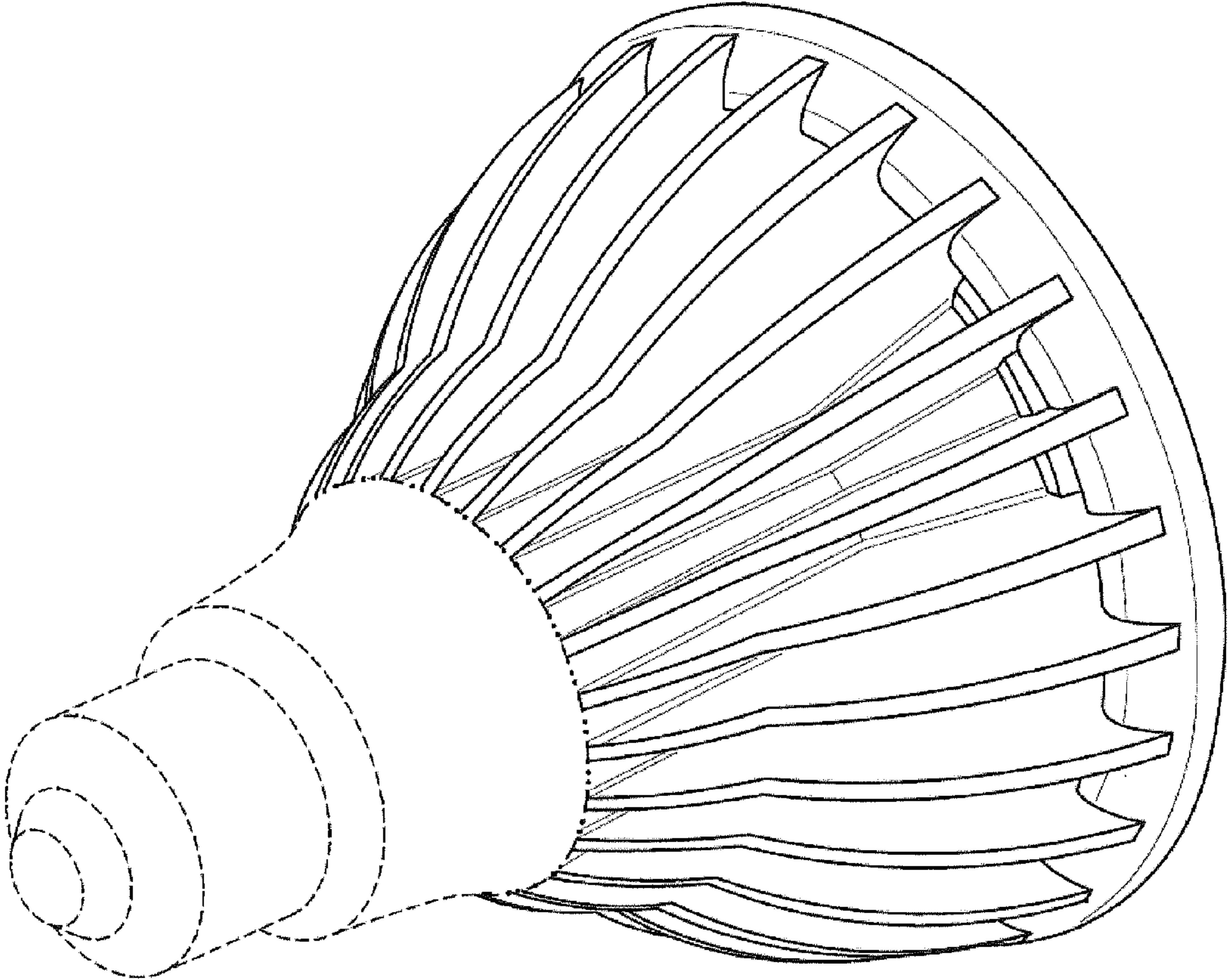


FIG 5