



US00D672476S

(12) **United States Design Patent**  
**Field et al.**

(10) **Patent No.:** **US D672,476 S**  
(45) **Date of Patent:** **\*\* Dec. 11, 2012**

- (54) **SUSPENDED CEILING GRID TEE**
- (75) Inventors: **Graham Keith Field**, Newcastle (GB);  
**Thomas Andreas Voigt**, Neuss (DE)
- (73) Assignee: **USG Interiors, LLC**, Chicago, IL (US)
- (\*\*) Term: **14 Years**
- (21) Appl. No.: **29/414,059**
- (22) Filed: **Feb. 24, 2012**

**Related U.S. Application Data**

- (63) Continuation of application No. 12/747,540, filed as application No. PCT/GB2009/000034 on Jan. 7, 2009.

**Foreign Application Priority Data**

- Jan. 11, 2008 (GB) ..... 0800496.2
  - (51) **LOC (9) Cl.** ..... **25-02**
  - (52) **U.S. Cl.** ..... **D25/61; D25/125**
  - (58) **Field of Classification Search** ..... D25/119,  
D25/61, 126, 125; 52/474, 476, 506.06,  
52/506.07, 506.08, 506.09, 506.1, 574, 656.1,  
52/220.6
- See application file for complete search history.

**References Cited**

**U.S. PATENT DOCUMENTS**

2,059,483	A	11/1936	Parsons
3,270,479	A	9/1966	Weinar
3,730,798	A	5/1973	Franz
3,828,507	A	8/1974	Storer
3,928,950	A	12/1975	Beynon

(Continued)

**FOREIGN PATENT DOCUMENTS**

CN 2263685 Y 10/1997

(Continued)

**OTHER PUBLICATIONS**

Notification of Transmittal of the International Search Report and The Written Opinion of the International Searching Authority, or the

Declaration, International Search Report dated Mar. 16, 2009, Written Opinion of the International Searching Authority, International Application No. PCT/GB2009/000034, International Filing Date Jan. 7, 2009.

*Primary Examiner* — Doris Clark

(74) *Attorney, Agent, or Firm* — Pearne & Gordon LLP

(57) **CLAIM**

The ornamental design for a suspended ceiling grid tee, as shown and described.

**DESCRIPTION**

FIG. 1 is a perspective fragmentary view of a suspended ceiling grid tee showing a first embodiment of our new design;

FIG. 2 is an end view thereof;

FIG. 3 is a right side fragmentary view thereof, the left side view being a mirror image of this view;

FIG. 4 is a top plan fragmentary view thereof;

FIG. 5 is a bottom plan fragmentary view thereof;

FIG. 6 is an isometric fragmentary view of a second embodiment;

FIG. 7 is an end view thereof;

FIG. 8 is a right side fragmentary view thereof, the left side view being a mirror image of this view;

FIG. 9 is a top plan fragmentary view thereof;

FIG. 10 is a bottom plan fragmentary view thereof;

FIG. 11 is an isometric fragmentary view of a third embodiment;

FIG. 12 is an end view thereof;

FIG. 13 is a right side fragmentary view thereof, the left side view being a mirror image of this view;

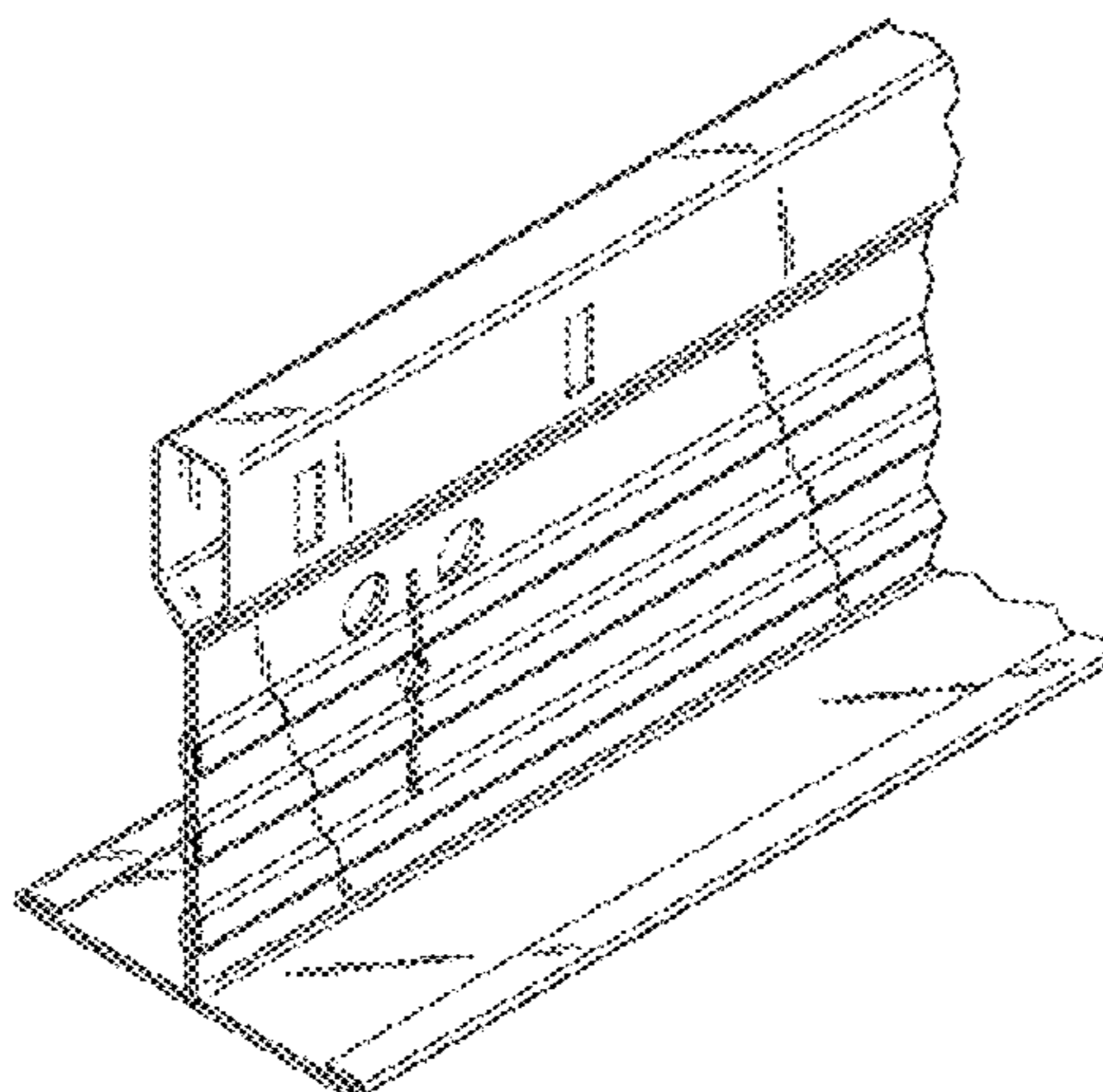
FIG. 14 is a top plan fragmentary view thereof;

FIG. 15 is a bottom plan fragmentary view thereof; and,

FIG. 16 is a fragmentary view taken in the plane 16-16 shown in FIG. 11.

The dotted-line showing in the drawings illustrates environment matter and forms no part of the claimed design.

**1 Claim, 6 Drawing Sheets**



# US D672,476 S

Page 2

## U.S. PATENT DOCUMENTS

4,206,578 A 6/1980 Mieyal  
4,489,529 A 12/1984 Ollinger et al.  
4,505,083 A 3/1985 Mieyal  
4,554,718 A 11/1985 Ollinger et al.  
D288,615 S 3/1987 Hardy  
4,817,357 A 4/1989 Hocevar  
4,852,325 A 8/1989 Dunn et al.  
4,991,373 A \* 2/1991 Shaub ..... 52/715  
5,076,036 A 12/1991 Kuiper  
5,325,647 A 7/1994 Forry et al.  
5,572,844 A 11/1996 Stackenwalt et al.  
5,619,833 A 4/1997 Neff  
5,893,249 A 4/1999 Peterson et al.  
6,041,564 A 3/2000 Shirey  
6,318,042 B1 11/2001 Bloom et al.  
6,389,771 B1 5/2002 Moller  
D467,007 S \* 12/2002 Daudet et al. .... D25/61  
D497,434 S \* 10/2004 Brabeck ..... D25/119  
D541,955 S \* 5/2007 Simko et al. .... D25/125  
7,677,004 B2 3/2010 LaLonde  
2002/0083655 A1\* 7/2002 Paul et al. .... 52/105  
2002/0152704 A1\* 10/2002 Thompson et al. .... 52/506.07

2004/0194417 A1 10/2004 Paul  
2007/0028554 A1 2/2007 Ferrell et al.  
2007/0125038 A1 6/2007 Lehane, Jr. et al.  
2008/0083521 A1 4/2008 Gelli  
2008/0134611 A1\* 6/2008 Lehane et al. .... 52/506.07  
2008/0148668 A1\* 6/2008 Jahn et al. .... 52/506.07  
2010/0077687 A1\* 4/2010 Jankovec et al. .... 52/506.07

## FOREIGN PATENT DOCUMENTS

DE 3415278 A1 4/1984  
DE 19711316 A1 3/1996  
EP 0037061 B1 10/1981  
EP 0387964 A1 9/1990  
EP 0492818 A1 7/1992  
GB 2026586 A 2/1980  
GB 2125845 A 3/1984  
GB 2389375 A 12/2003  
JP 5-163794 A 12/1991  
NL 9400938 A 1/1996  
WO 0029689 A1 5/2000  
WO 2007061524 A2 5/2007

\* cited by examiner

FIG. 1

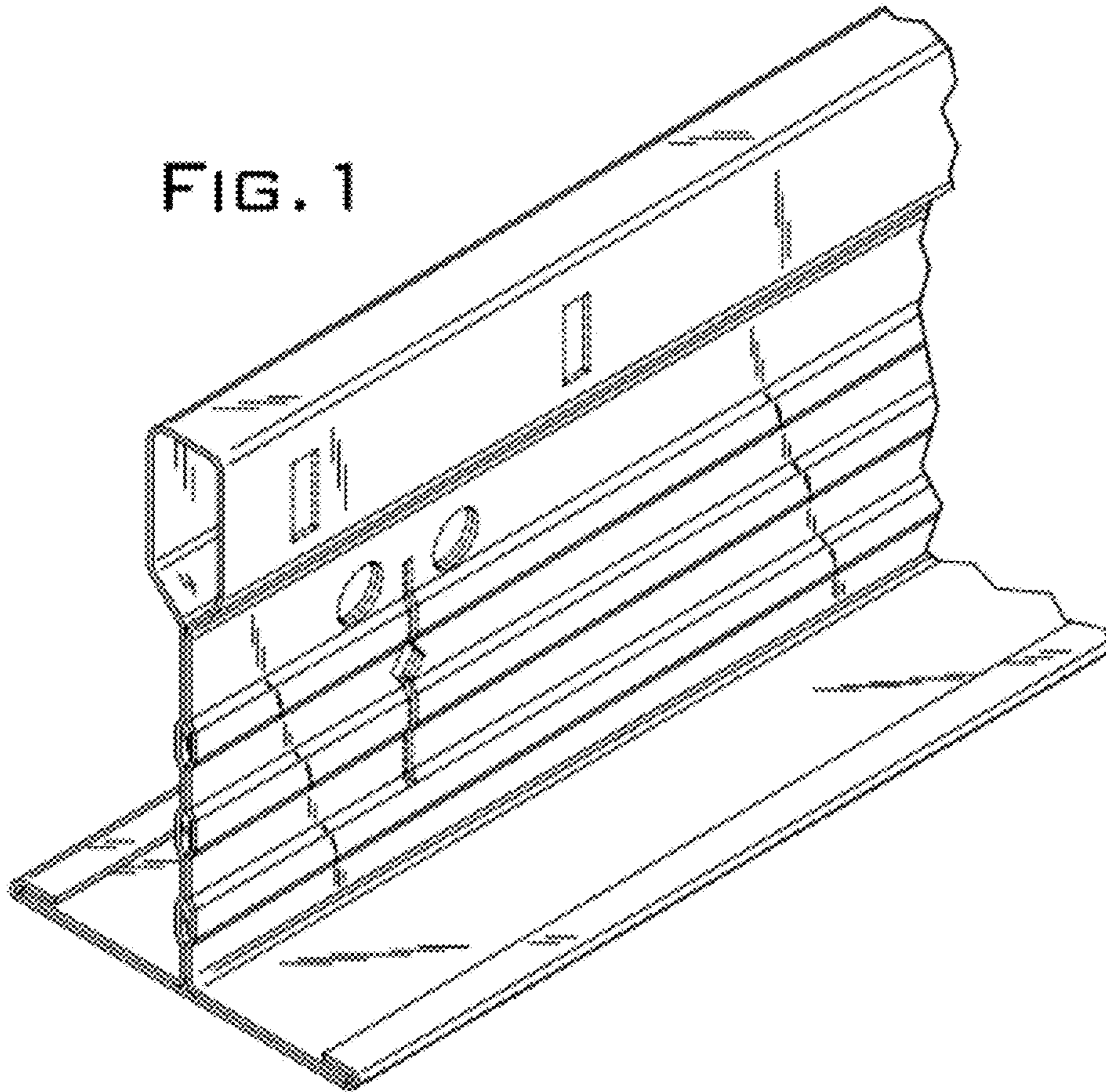


FIG. 2

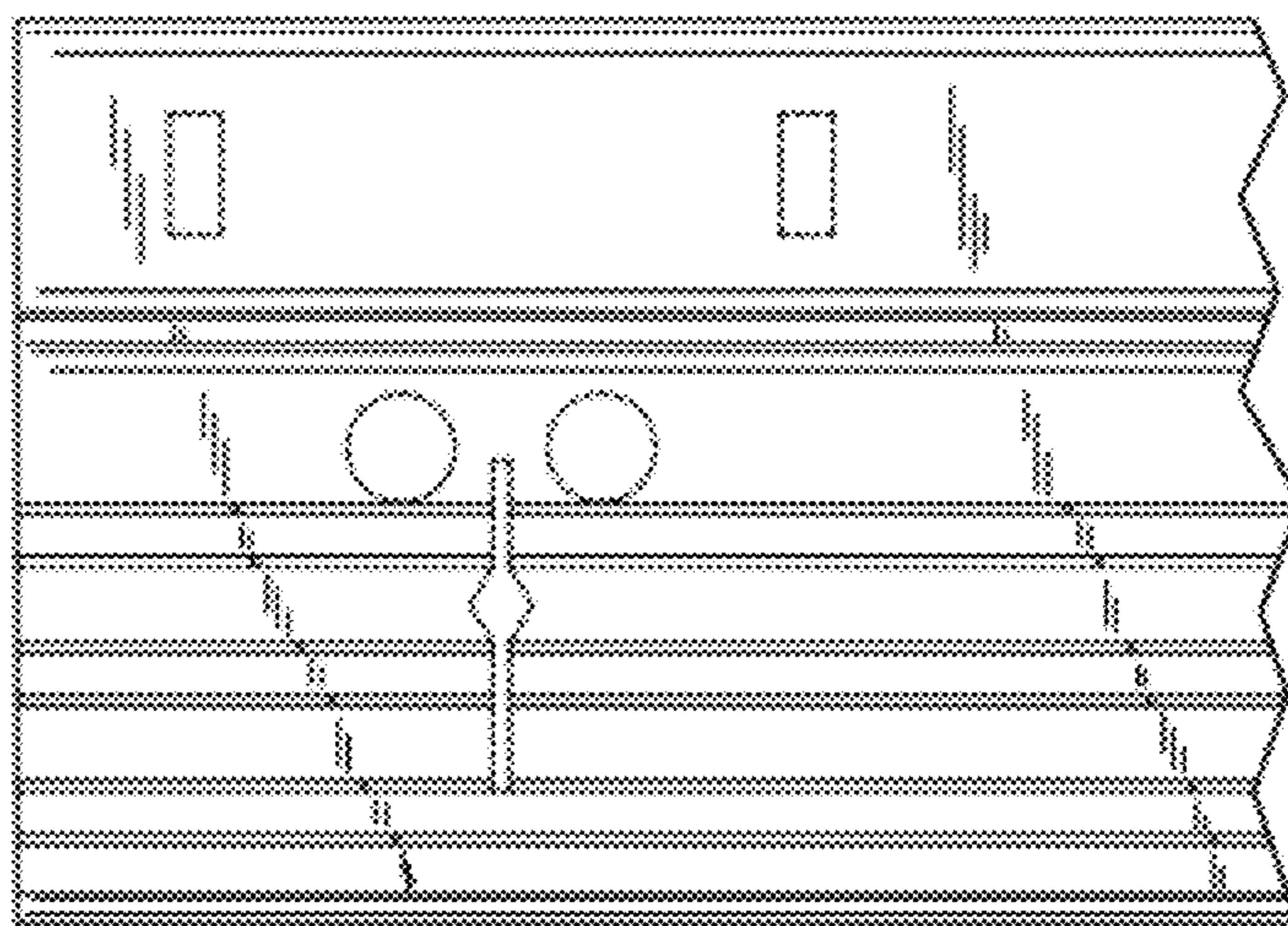


FIG. 3

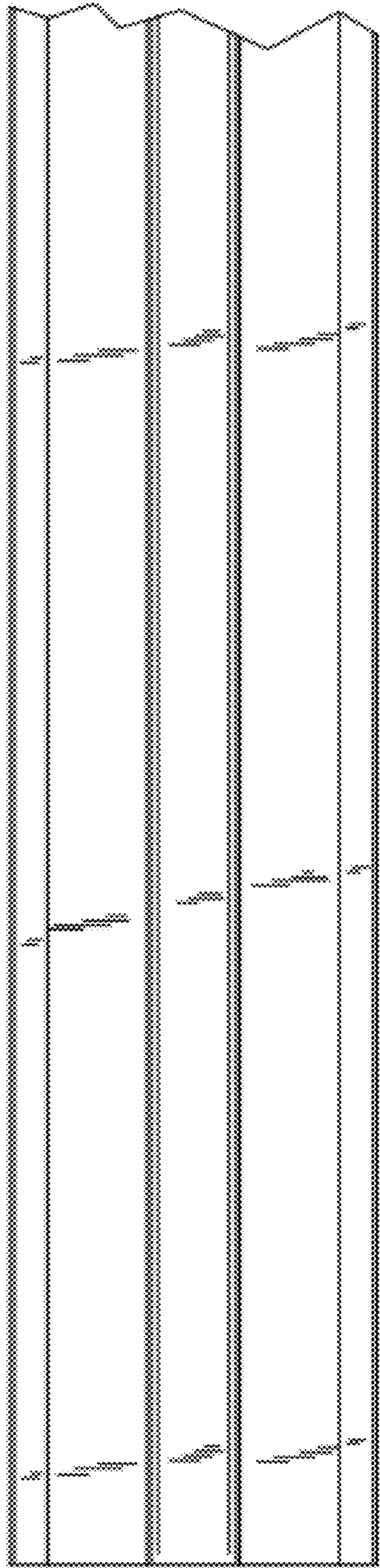


FIG. 4

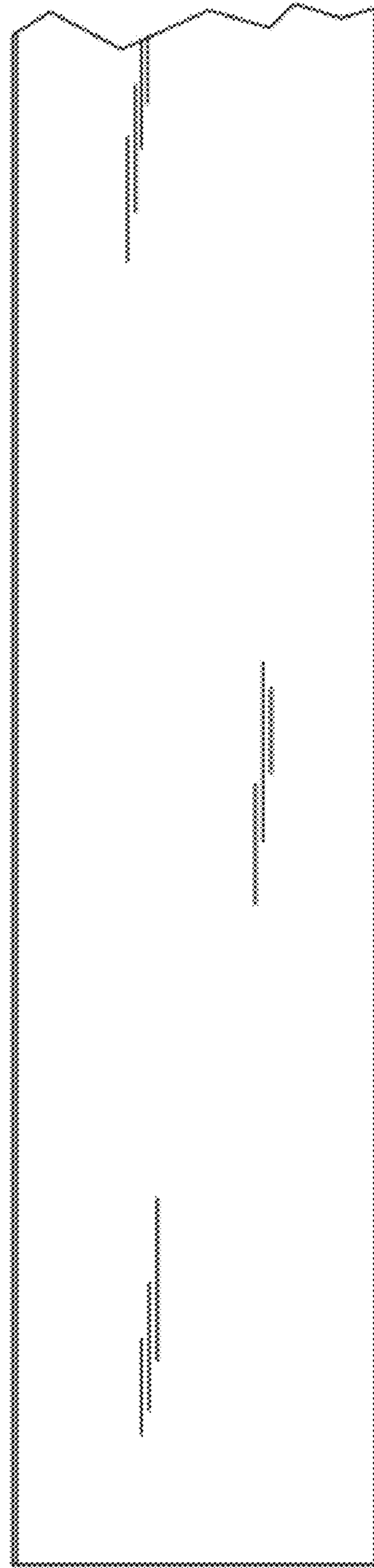


FIG. 5

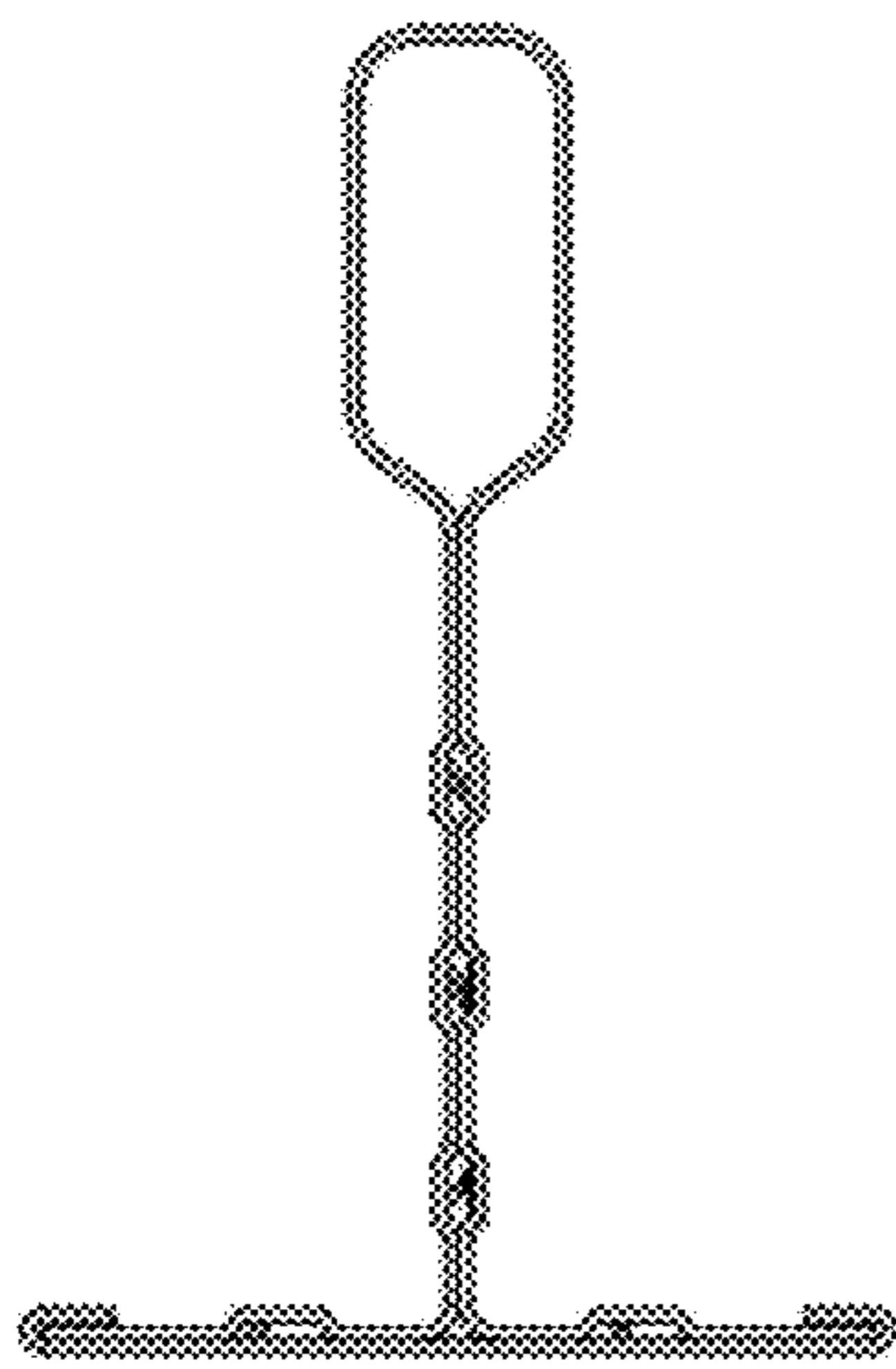
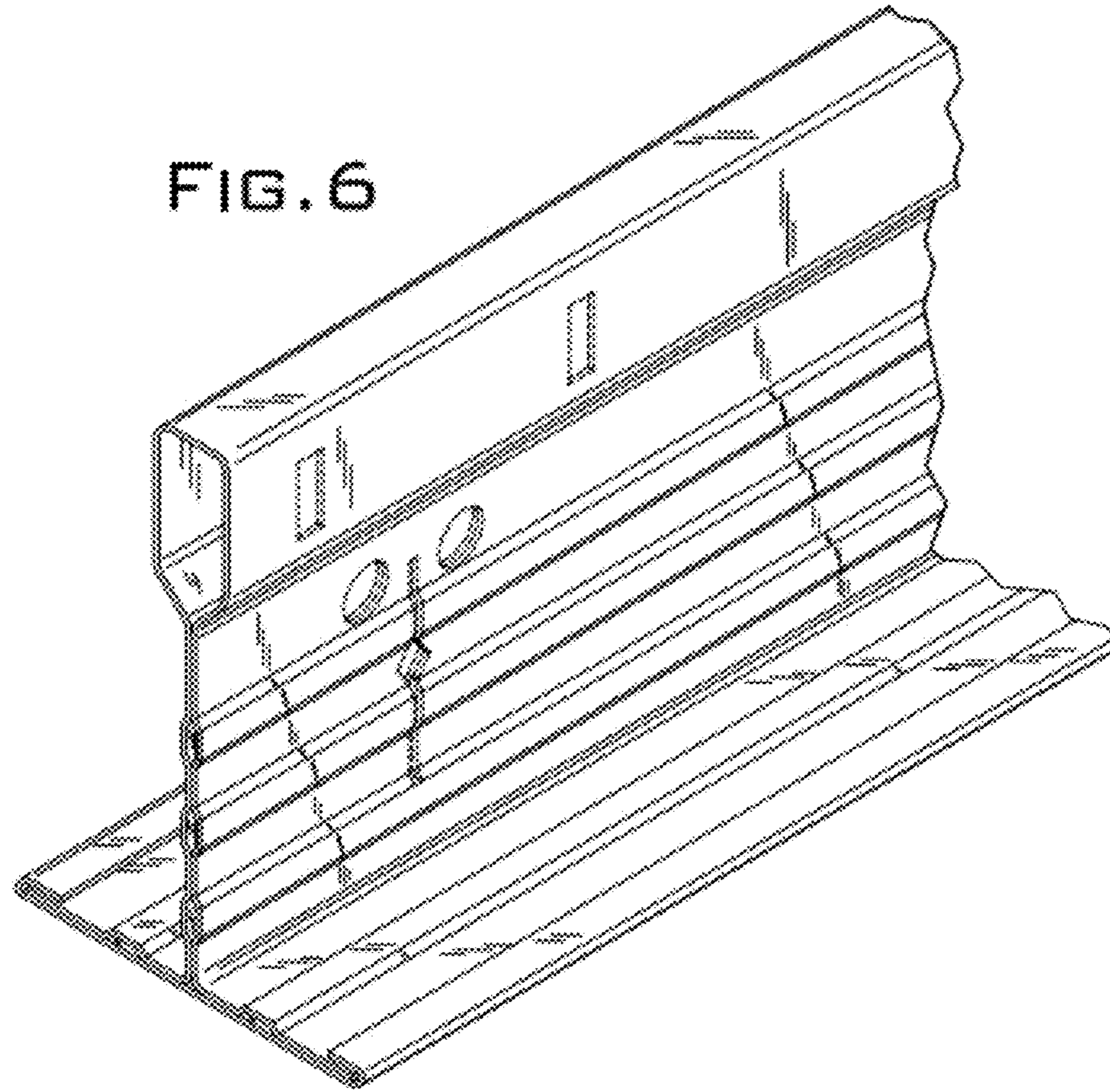


FIG. 7

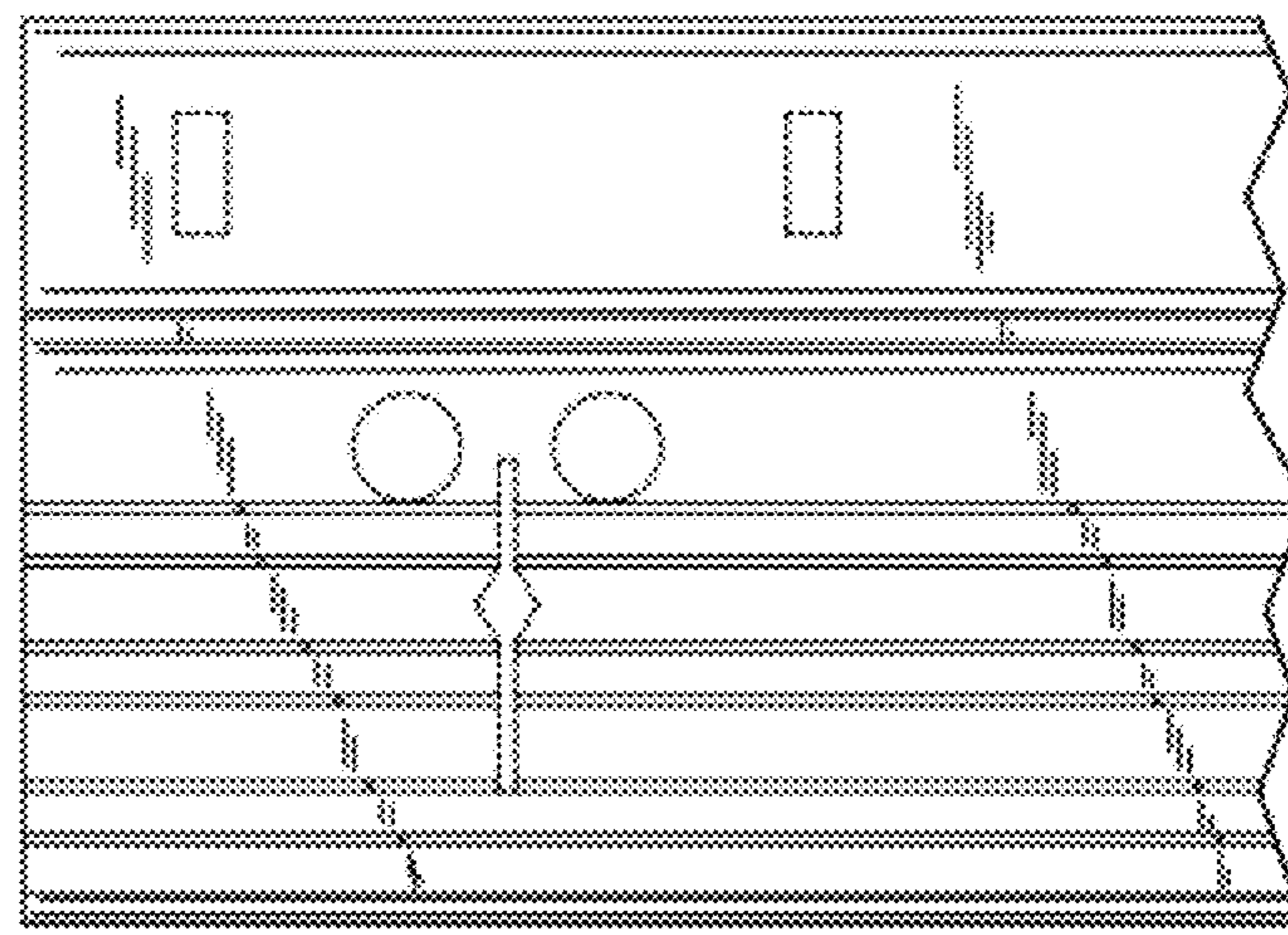


FIG. 8

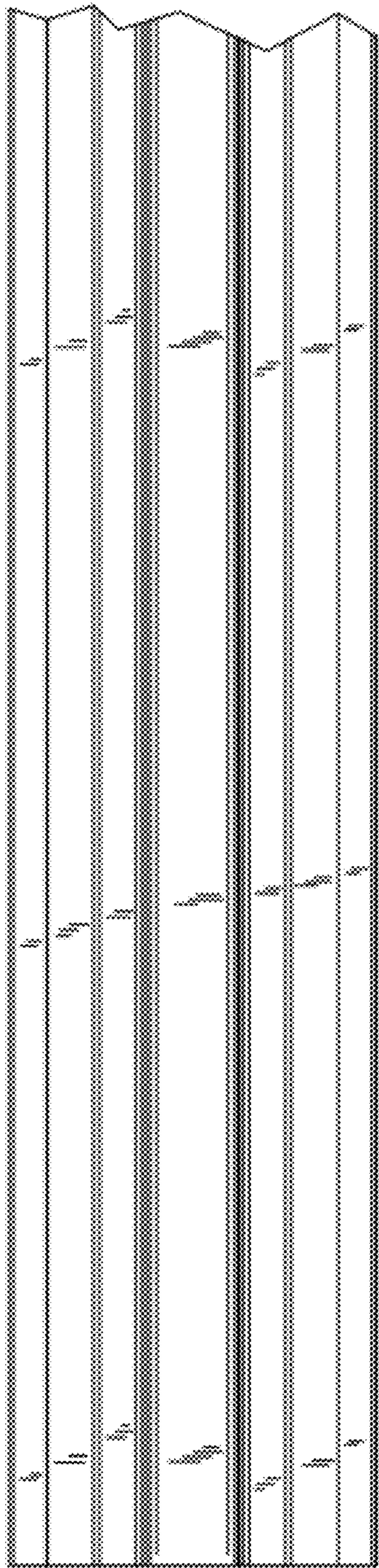


FIG. 9

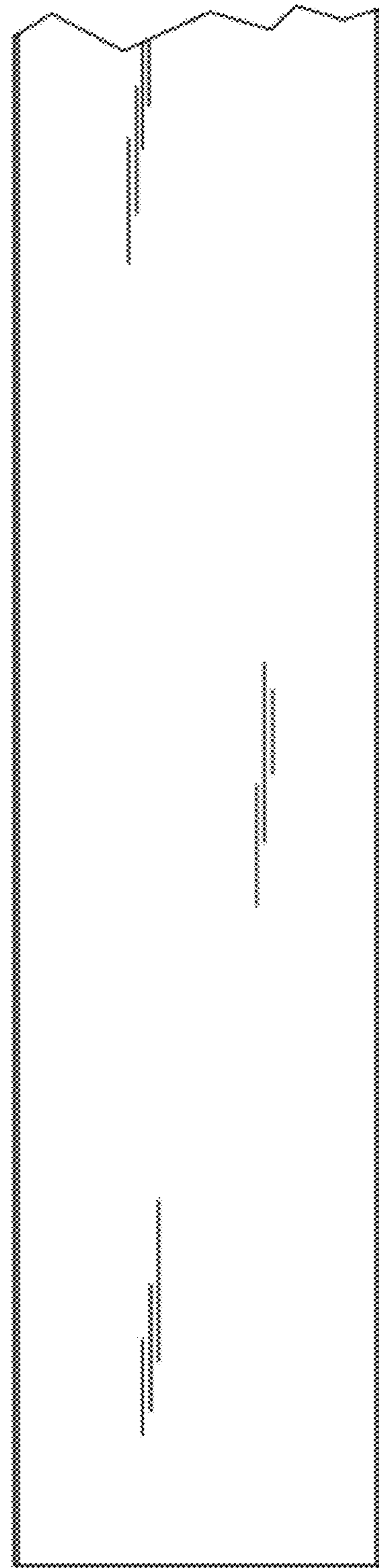


FIG. 10

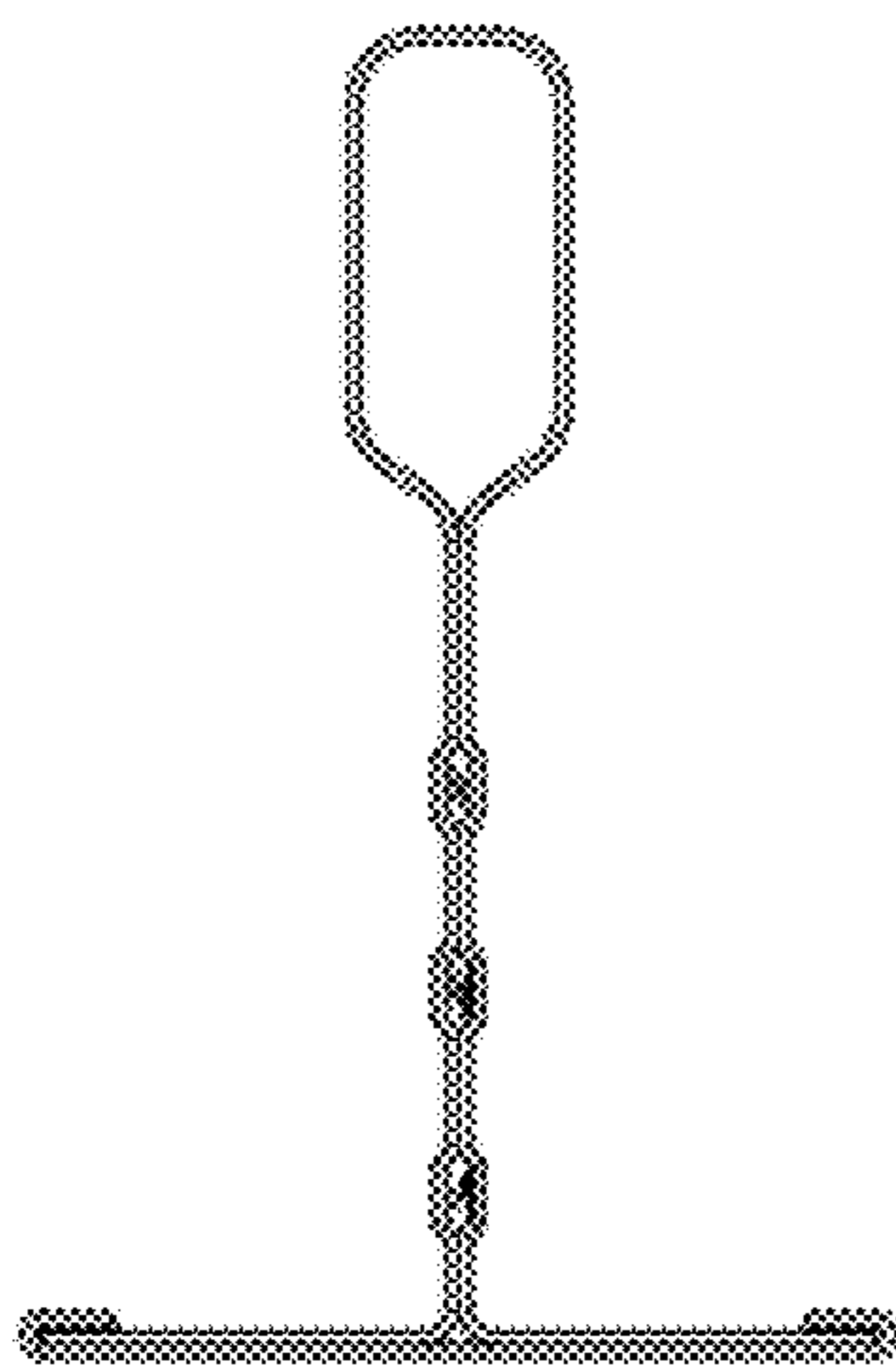
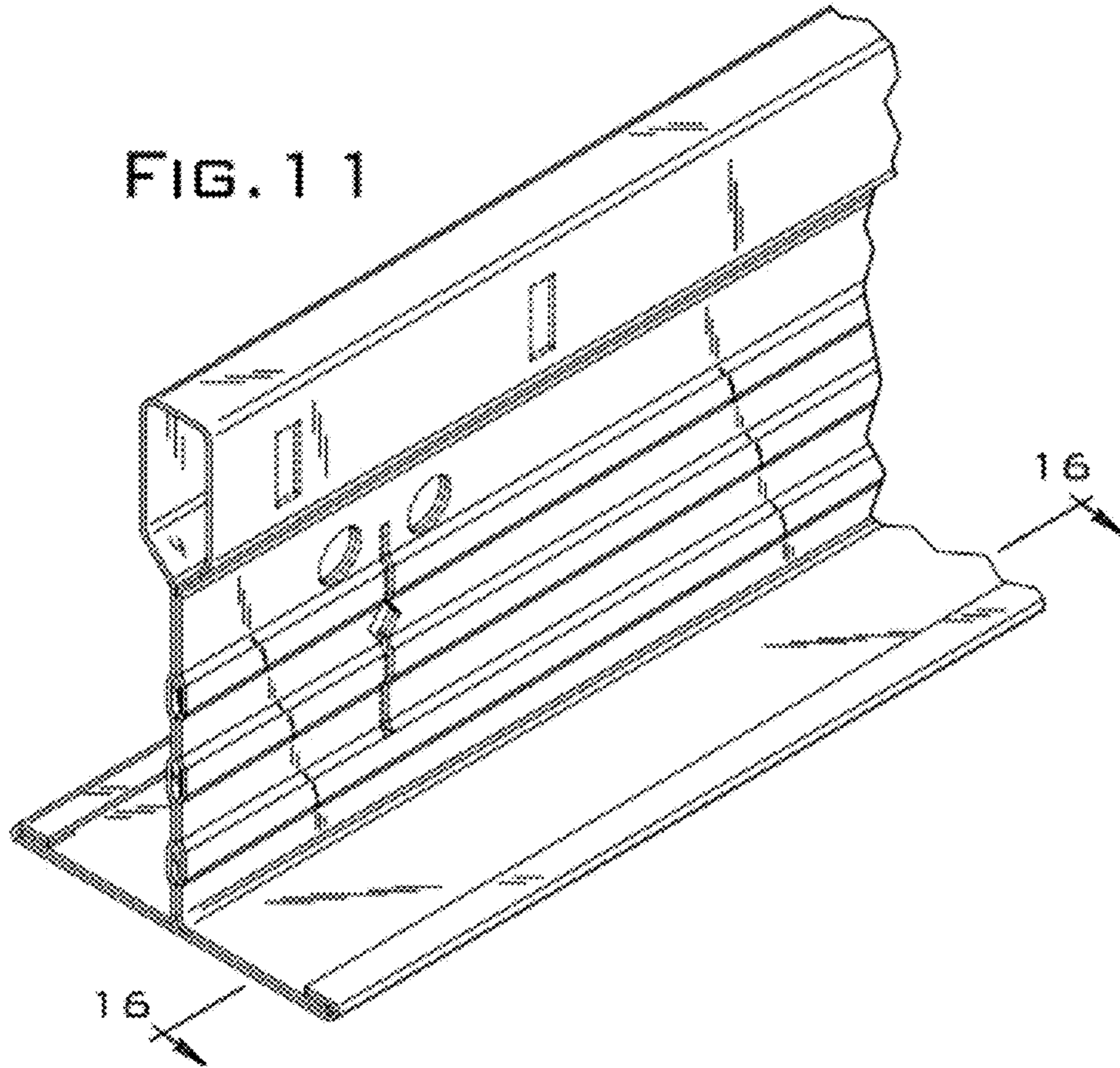


FIG. 12

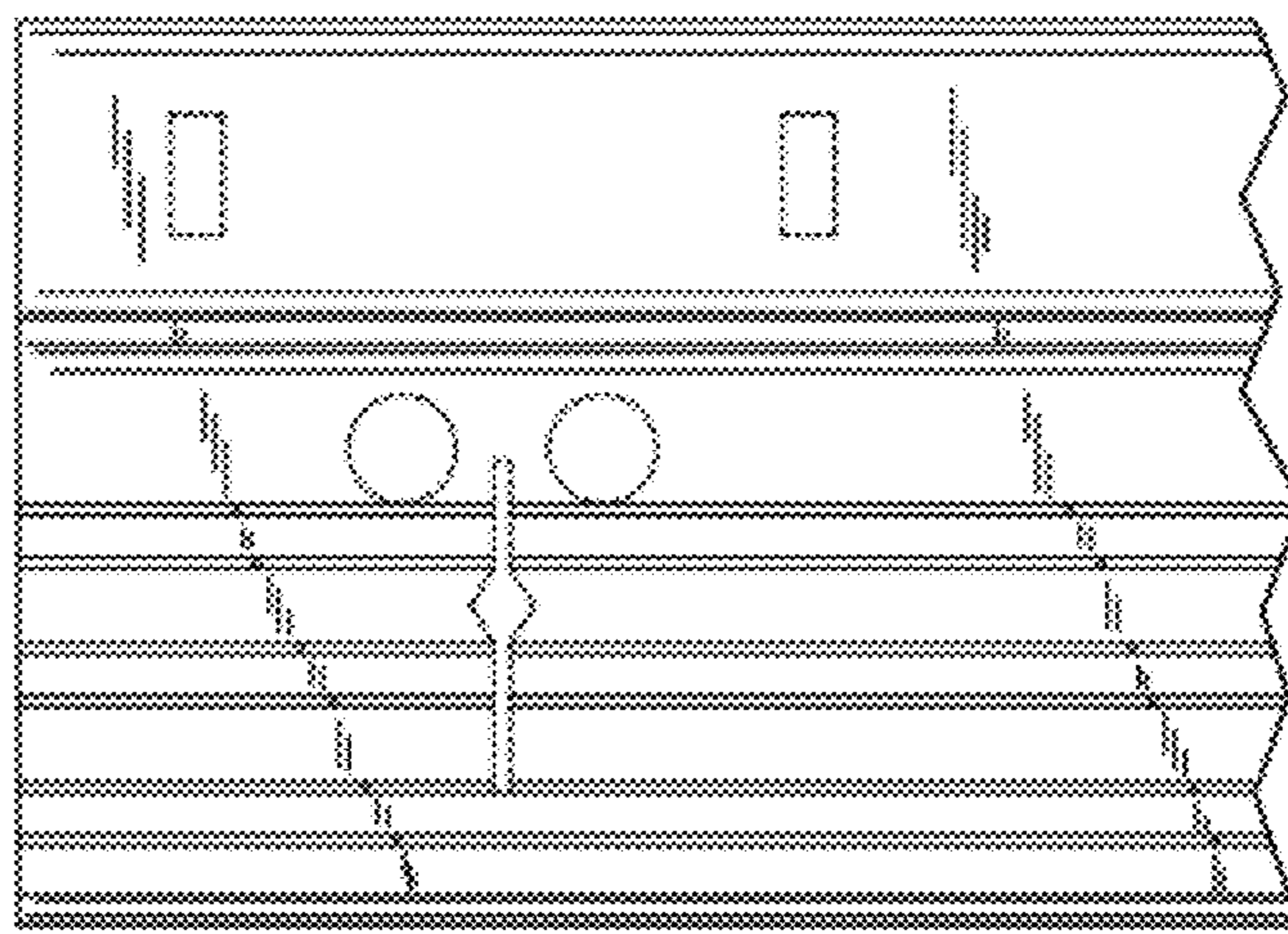


FIG. 13

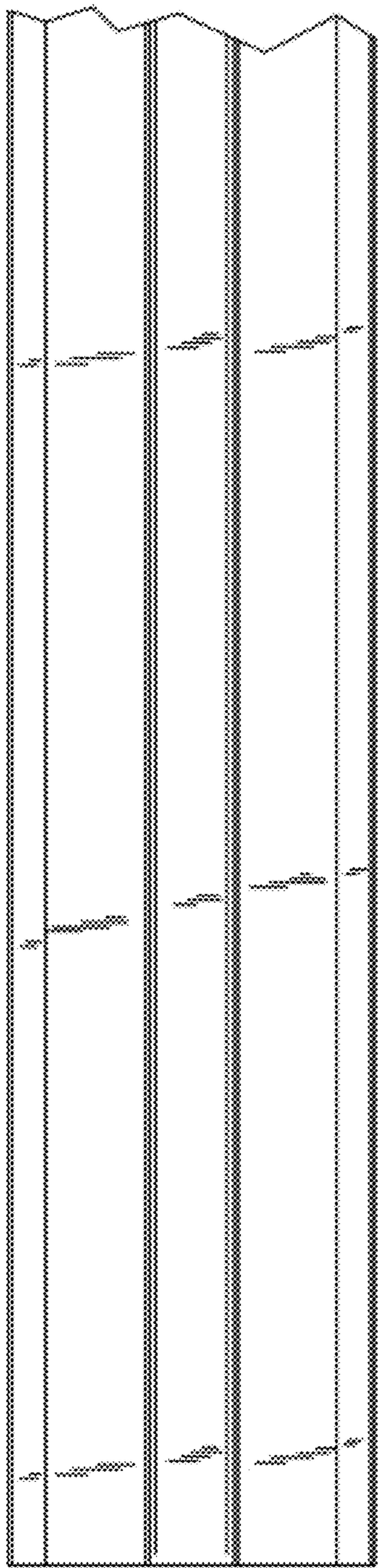


FIG. 14

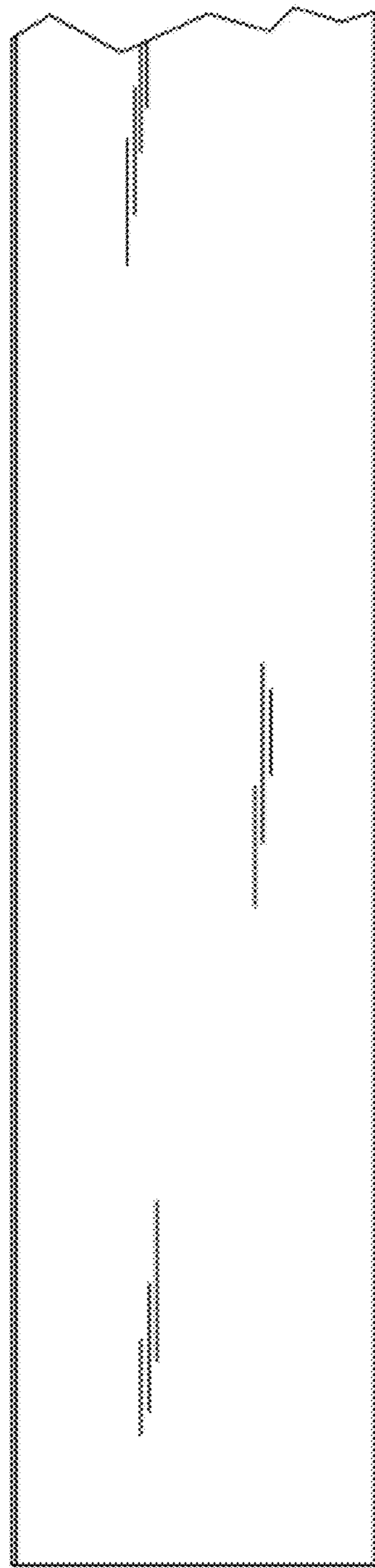


FIG. 15



FIG. 16