



US00D672474S

(12) **United States Design Patent**
White et al.

(10) **Patent No.:** **US D672,474 S**
(45) **Date of Patent:** **** Dec. 11, 2012**

(54) **MODULAR BARRIER PANEL**

(56) **References Cited**

(75) Inventors: **William Collins White**, Cicero, NY
(US); **John P. Paraschos**, Nedrow, NY
(US); **John Kleniatis**, Jamesville, NY
(US)

U.S. PATENT DOCUMENTS

6,672,799 B2 * 1/2004 Earl 405/111
D510,772 S * 10/2005 Newland D25/58
D520,146 S * 5/2006 Brown D25/58
2004/0057790 A1 * 3/2004 Tagg 404/6
* cited by examiner

(73) Assignee: **Defenshield, Inc.**, East Syracuse, NY
(US)

Primary Examiner — Doris Clark

(**) Term: **14 Years**

(74) *Attorney, Agent, or Firm* — George R. McGuire; Bond
Schoeneck & King

(21) Appl. No.: **29/402,169**

(57) **CLAIM**
The ornamental design for modular barrier panel, as shown
and described.

(22) Filed: **Sep. 21, 2011**

DESCRIPTION

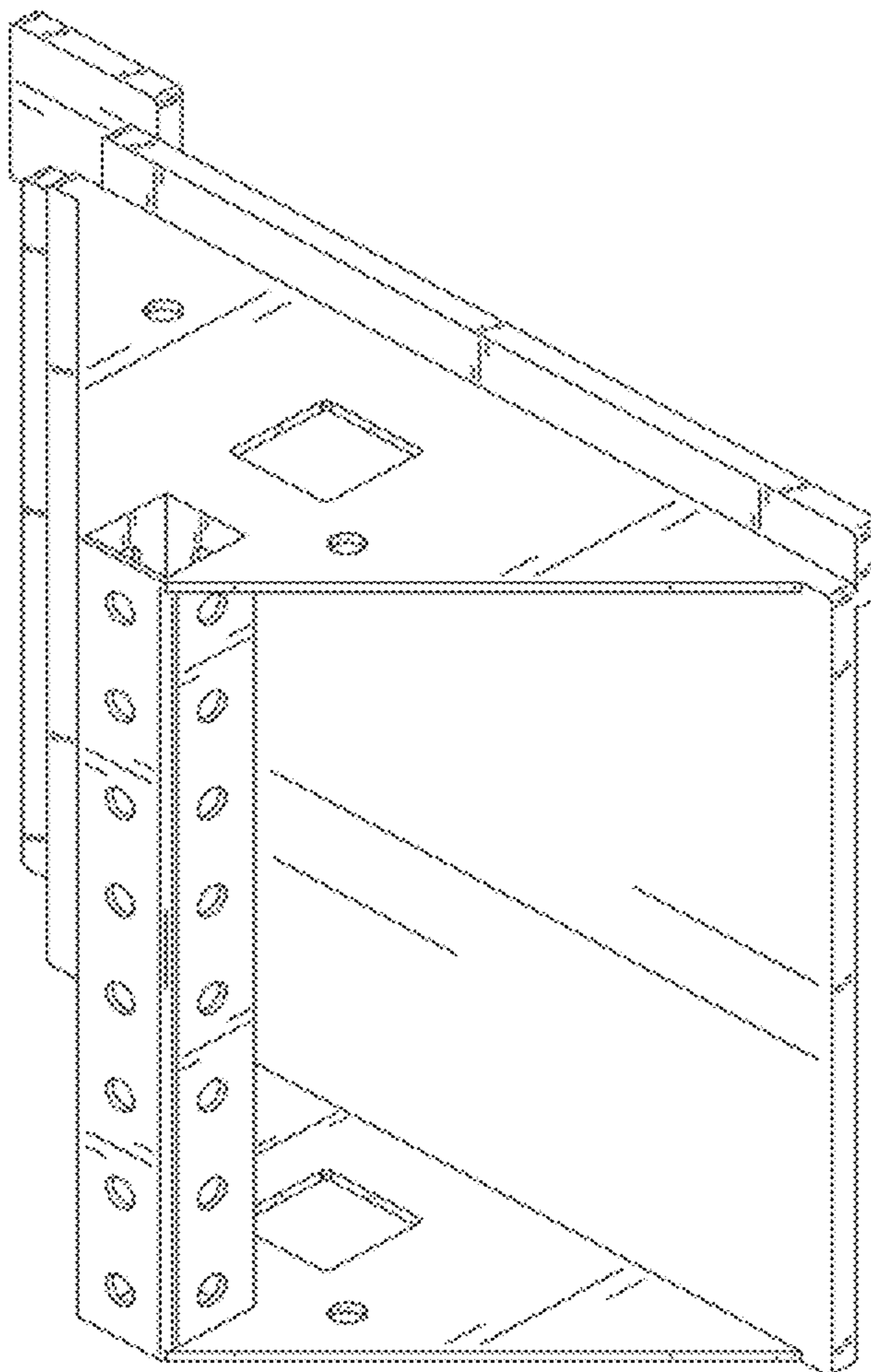
(51) **LOC (9) Cl.** **25-02**

FIG. 1 is a perspective view of a modular barrier panel;
FIG. 2 is rear elevation view thereof;
FIG. 3 is a front elevation view thereof;
FIG. 4 is a first side elevation view thereof;
FIG. 5 is a second side elevation view thereof;
FIG. 6 is a top plan view thereof; and,
FIG. 7 is a bottom plan view thereof.

(52) **U.S. Cl.** **D25/58**

(58) **Field of Classification Search** D25/38,
D25/58; 404/6; 256/25, 24, 13; 49/9
See application file for complete search history.

1 Claim, 6 Drawing Sheets



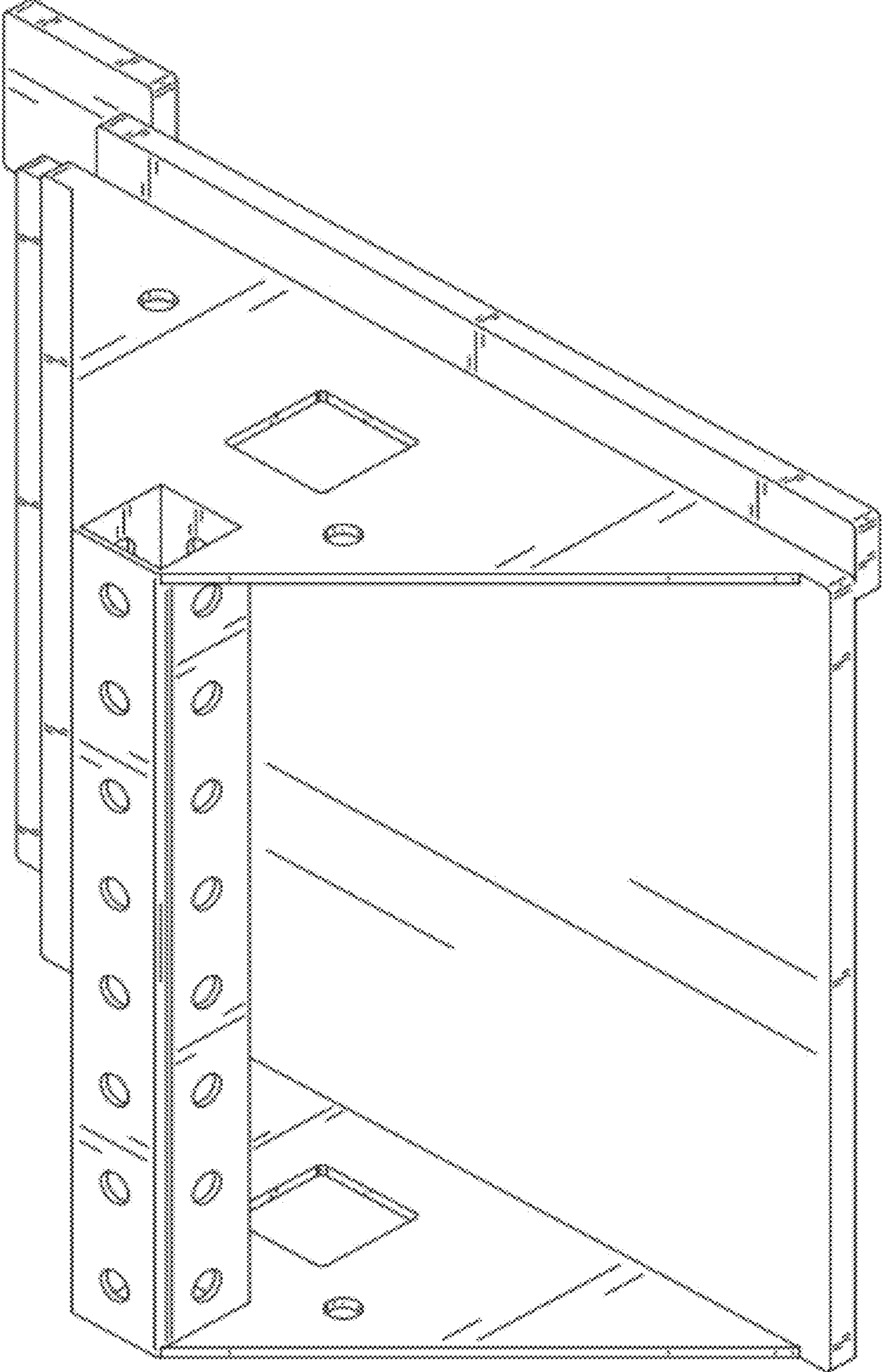


FIG. 1

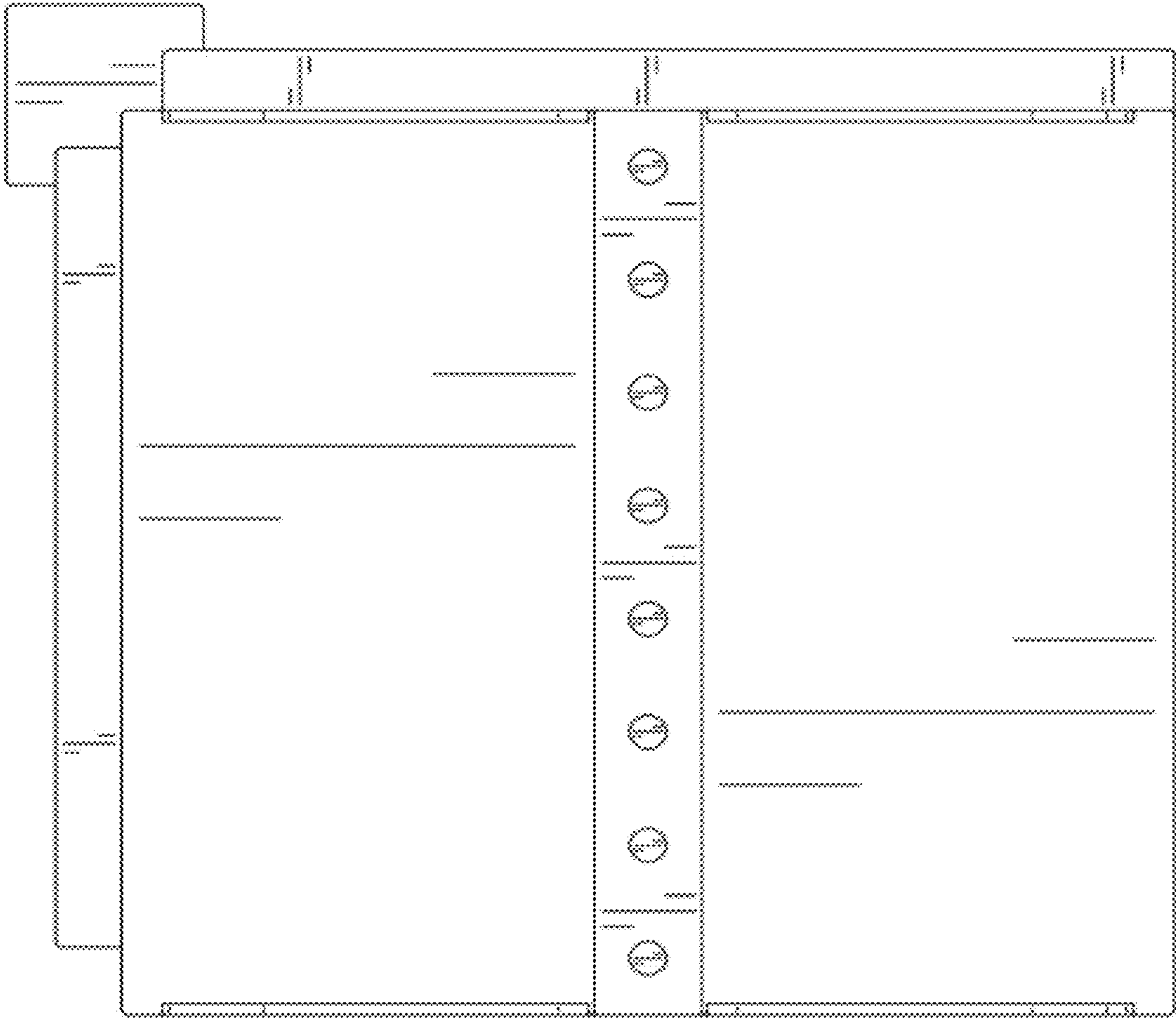


FIG. 2

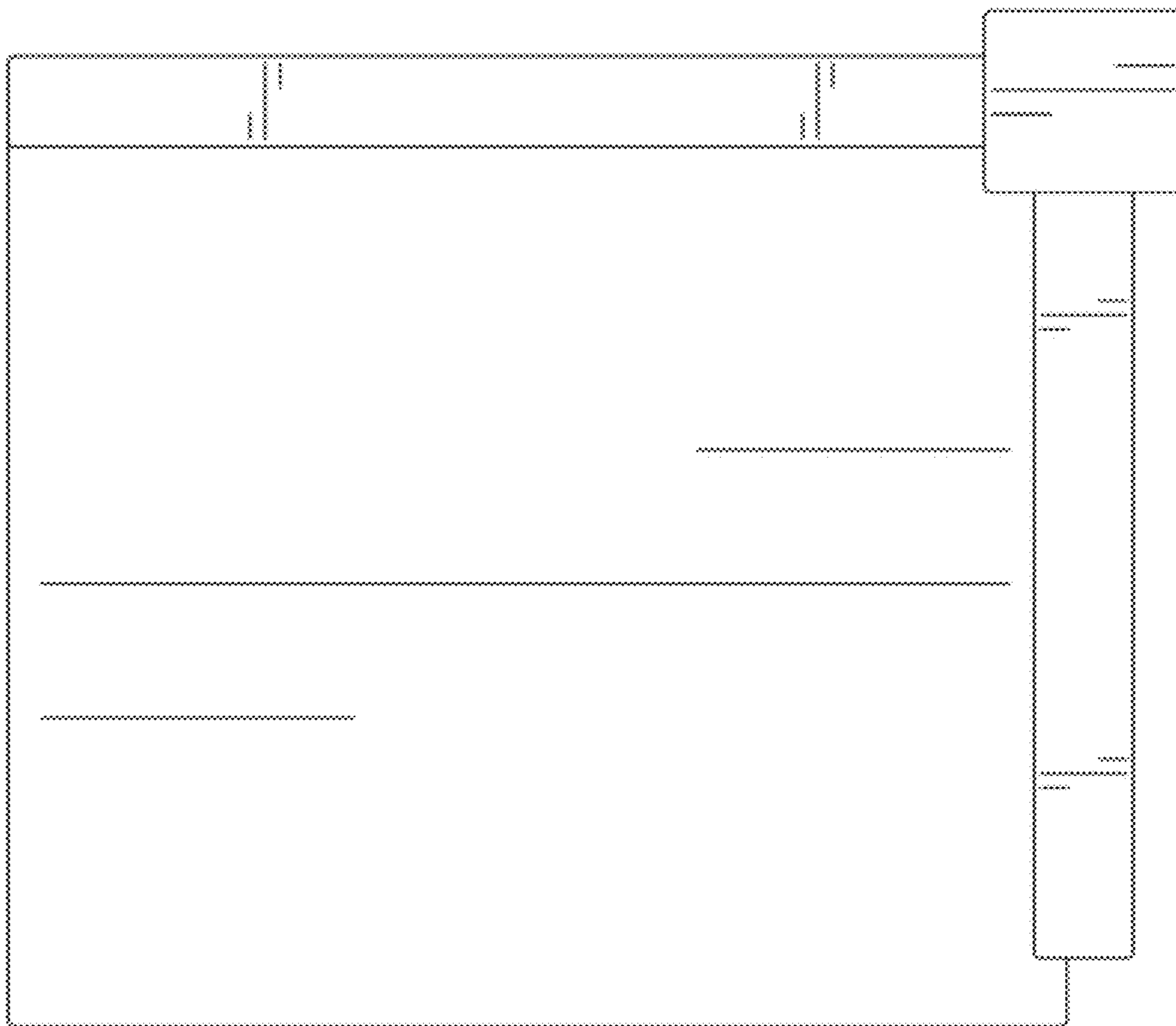


FIG. 3

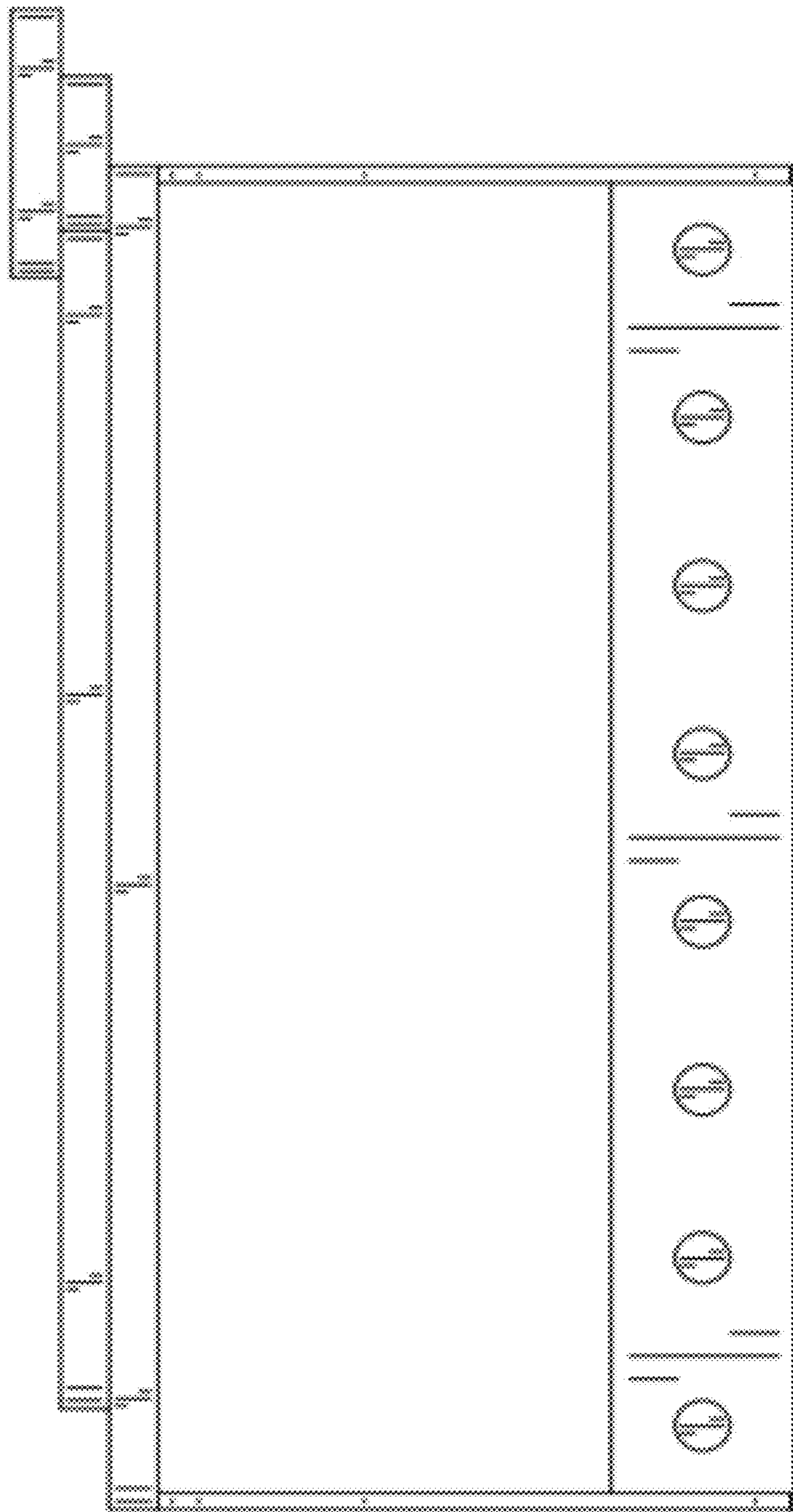


FIG. 4

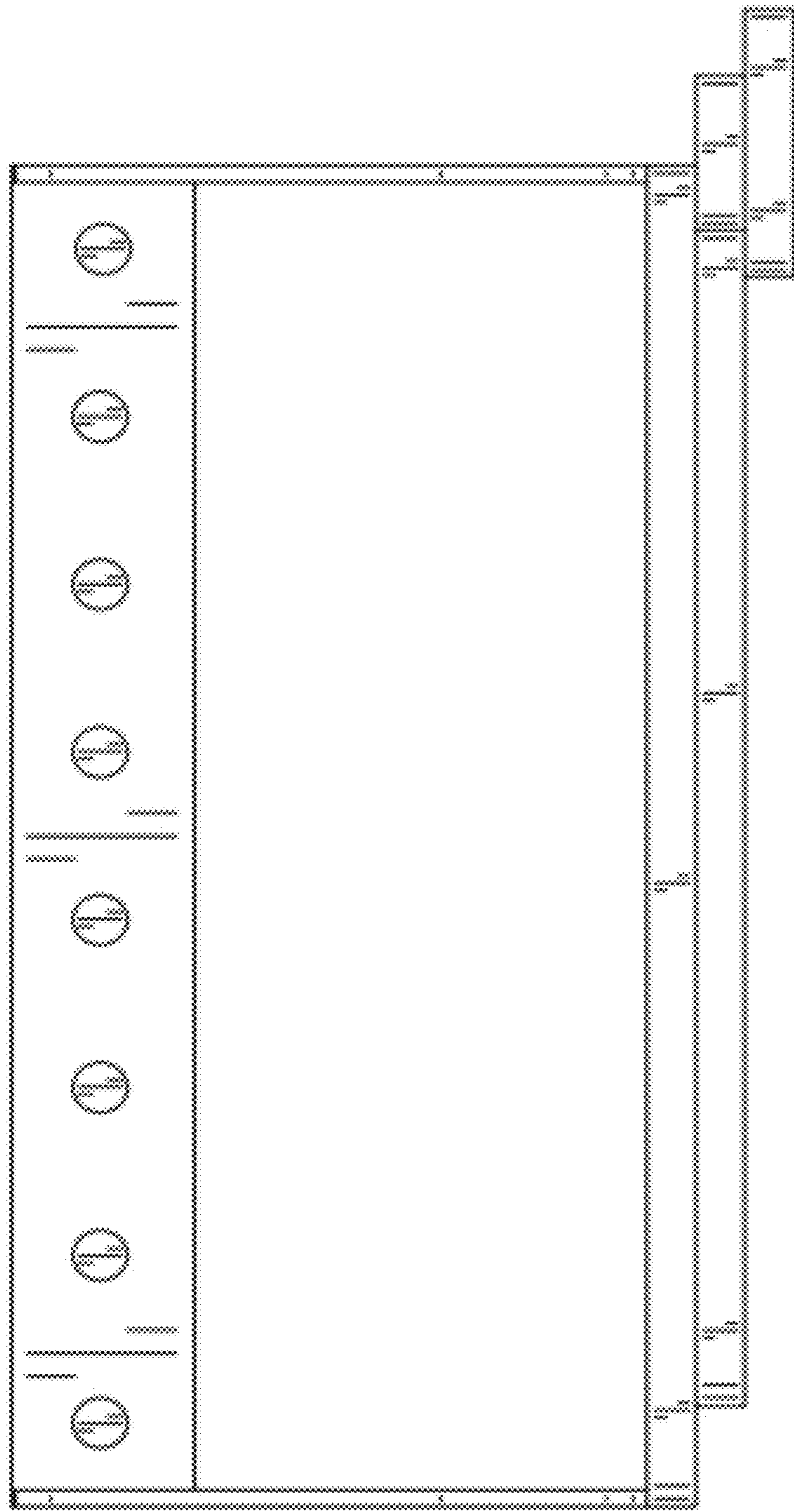


FIG. 5

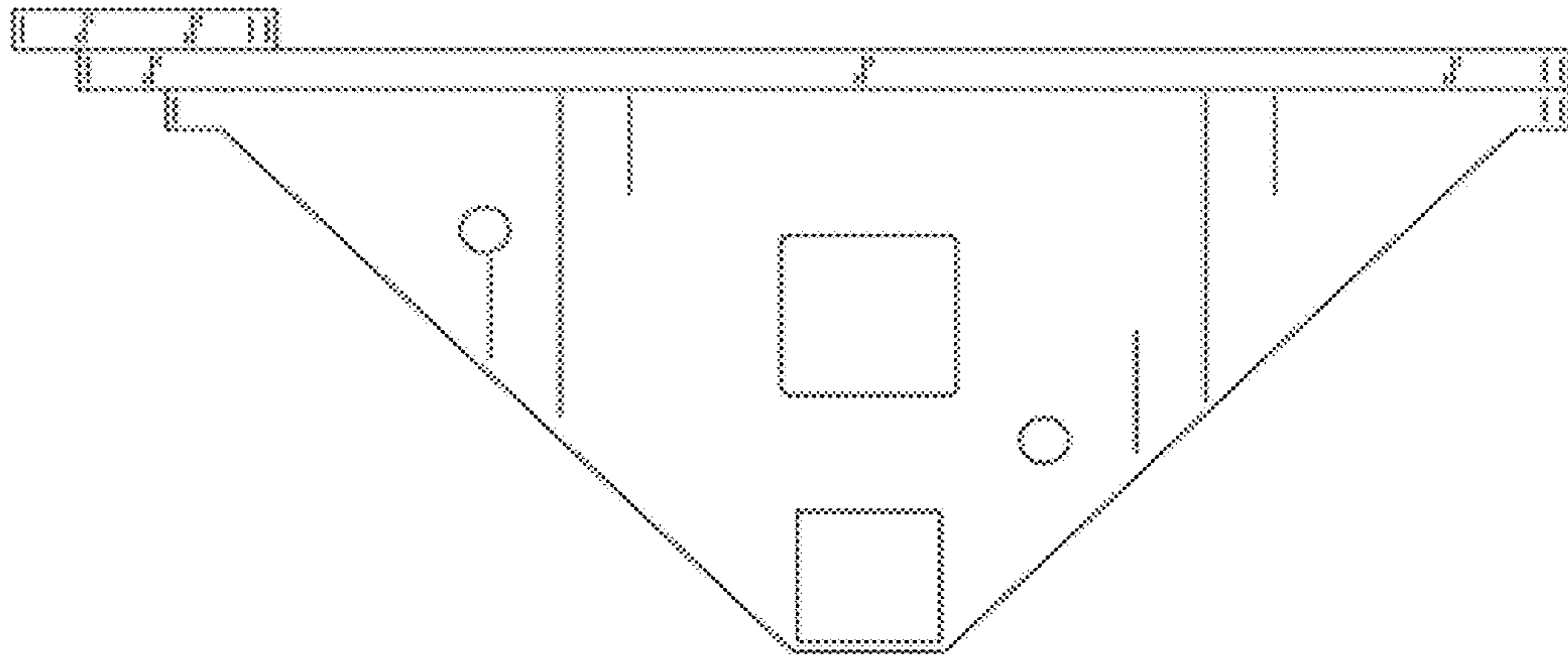


FIG. 6

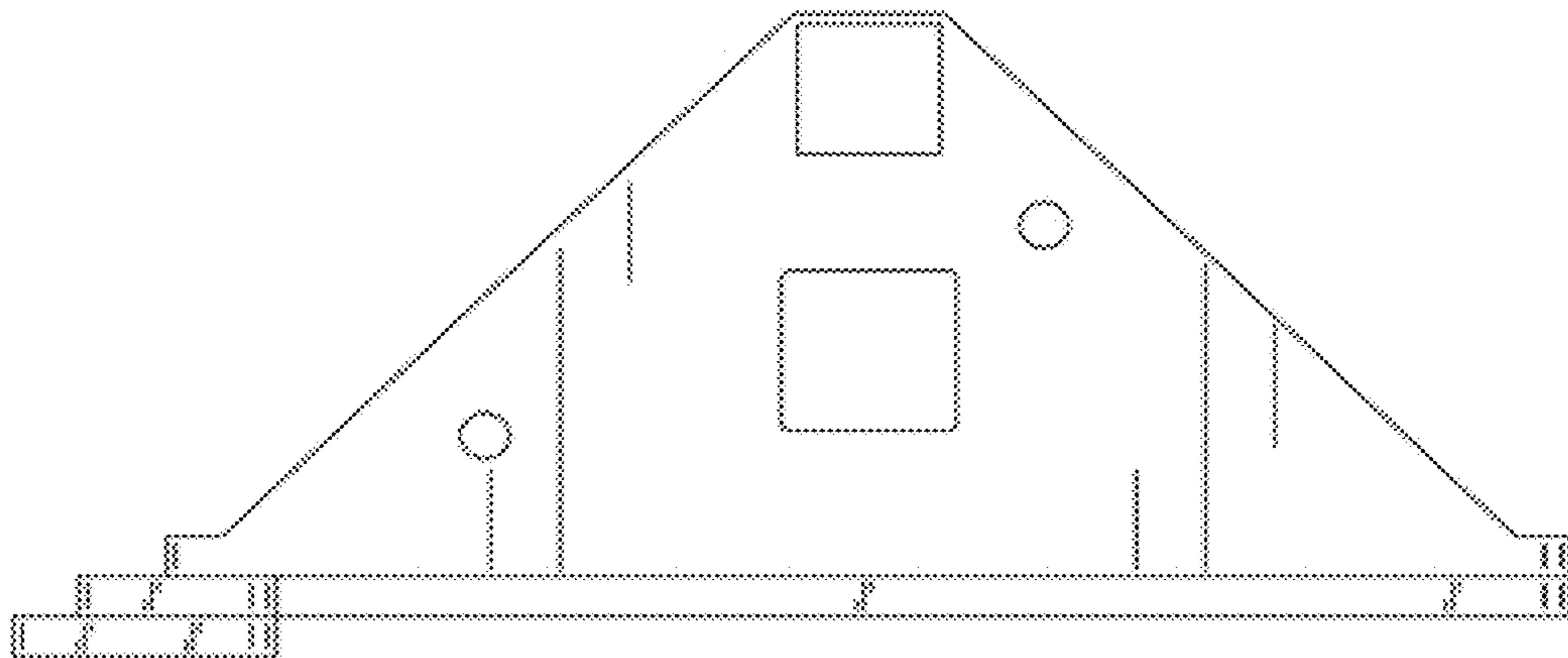


FIG. 7