



US00D672473S

(12) **United States Design Patent**  
**Chapman**

(10) **Patent No.:** **US D672,473 S**  
(45) **Date of Patent:** **\*\* Dec. 11, 2012**

(54) **WEATHERSTRIP PAIR FOR AN ASTRAGAL**

**DESCRIPTION**

- (75) Inventor: **Gabriel Paul Chapman**, Atlanta, GA (US)
  - (73) Assignee: **Global Products International Group, LLC**, Atlanta, GA (US)
  - (\*\*) Term: **14 Years**
  - (21) Appl. No.: **29/383,457**
  - (22) Filed: **Jan. 18, 2011**
  - (51) **LOC (9) Cl.** ..... **25-02**
  - (52) **U.S. Cl.** ..... **D25/48.2**
  - (58) **Field of Classification Search** ..... D25/48.2;  
49/355, 375.1, 495.1, 499.1, 489.1, 484.1,  
49/367, 368
- See application file for complete search history.

FIG. 1 is a top plan view of a first embodiment of the astragal; FIG. 2 is a bottom plan view of the first embodiment of the astragal; FIG. 3 is a full-length perspective view of the first embodiment of the astragal; FIG. 4 is a partial perspective view of the first embodiment of the astragal, illustrating the astragal with portions of its length removed so that the remaining portions of the astragal are shown in greater detail; FIG. 5 is a partial left side view of the first embodiment of the weatherstrip pair for an astragal; FIG. 6 is a partial front view of the first embodiment of the weatherstrip pair for an astragal; FIG. 7 is a partial back view of the first embodiment of the weatherstrip pair for an astragal; FIG. 8 is a partial right side view of the first embodiment of the weatherstrip pair for an astragal; FIG. 9 is a top plan view of a second embodiment of the astragal; FIG. 10 is a bottom plan view of the second embodiment of the astragal; FIG. 11 is a full-length perspective view of the second embodiment of the astragal; FIG. 12 is a partial perspective view of the second embodiment of the astragal, illustrating the astragal with portions of its length removed so that the remaining portions of the astragal are shown in greater detail; and FIG. 13 is a partial left side view of the second embodiment of the weatherstrip pair for an astragal; FIG. 14 is a partial front view of the second embodiment of the weatherstrip pair for an astragal; FIG. 15 is a partial back view of the second embodiment of the weatherstrip pair for an astragal; and, FIG. 16 is a partial right side view of the second embodiment of the weatherstrip pair for an astragal. The broken lines identify portions of the astragal that form no part of the claimed design.

(56) **References Cited**

**U.S. PATENT DOCUMENTS**

3,150,422	A *	9/1964	Michaels	.....	49/368
3,745,053	A *	7/1973	Johnson et al.	.....	428/85
4,429,493	A *	2/1984	St. Aubin	.....	49/367
5,093,181	A *	3/1992	Sanchez	.....	428/167
5,259,143	A *	11/1993	Mitchell et al.	.....	49/27
6,453,616	B1 *	9/2002	Wright	.....	49/365
D664,670	S *	7/2012	Schoonover et al.	.....	D25/48.2

\* cited by examiner

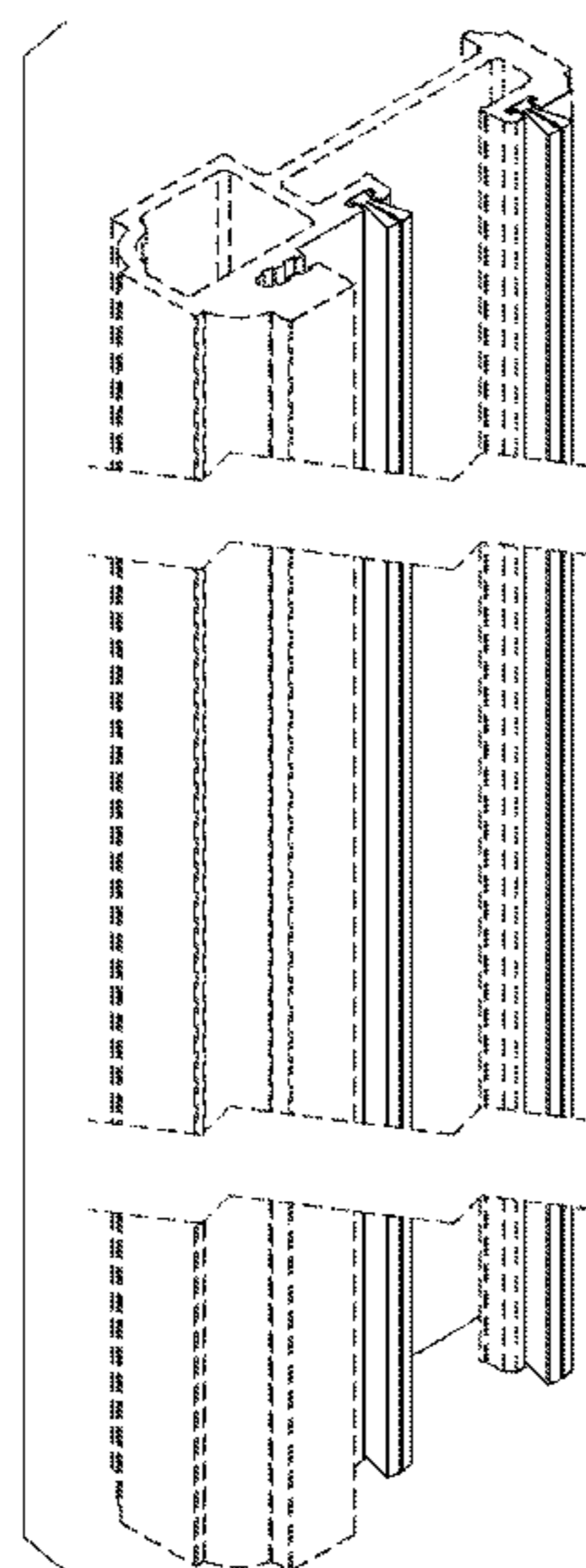
*Primary Examiner* — Doris Clark

(74) *Attorney, Agent, or Firm* — Sutherland Asbill & Brennan LLP

(57) **CLAIM**

The ornamental design for an weatherstrip pair for an astragal, as shown and described.

**1 Claim, 8 Drawing Sheets**



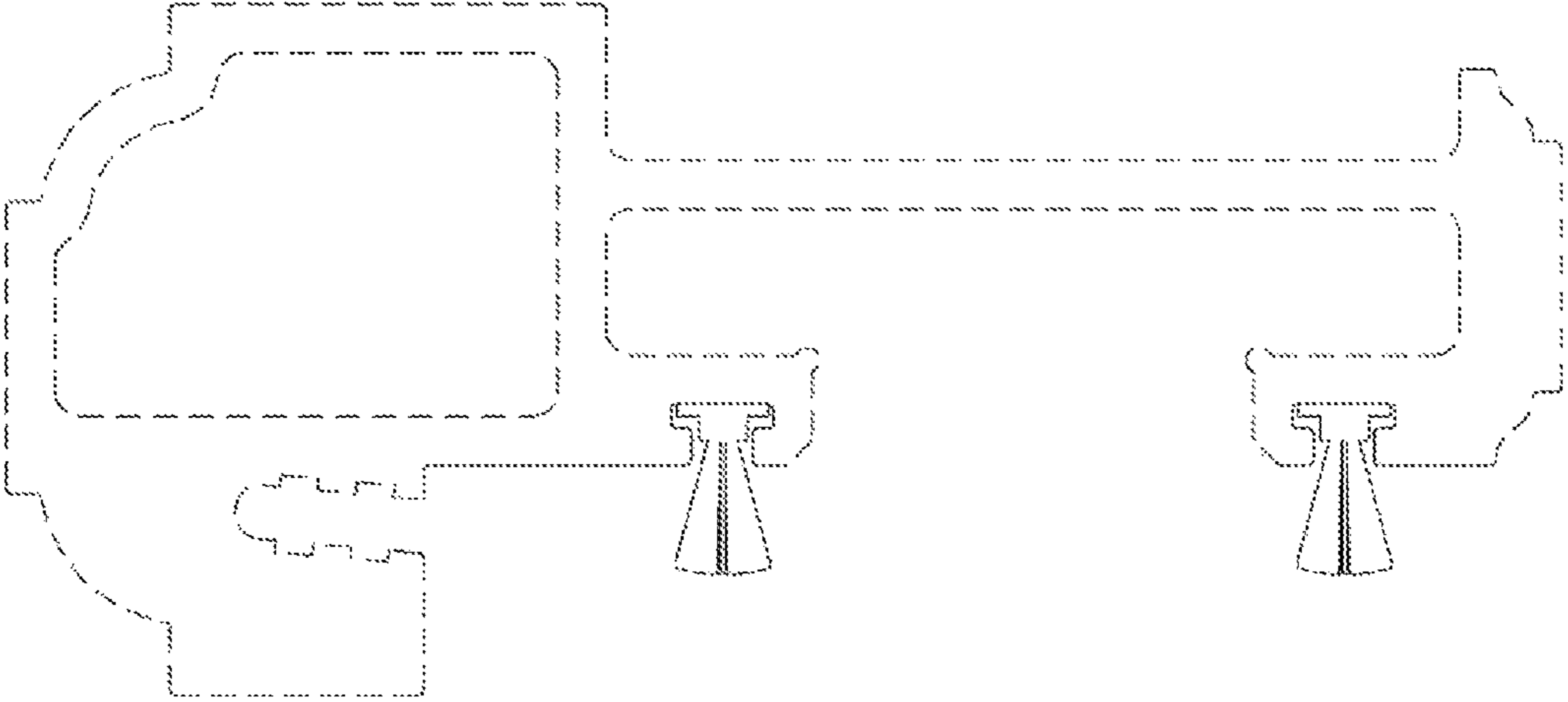


Fig. 1

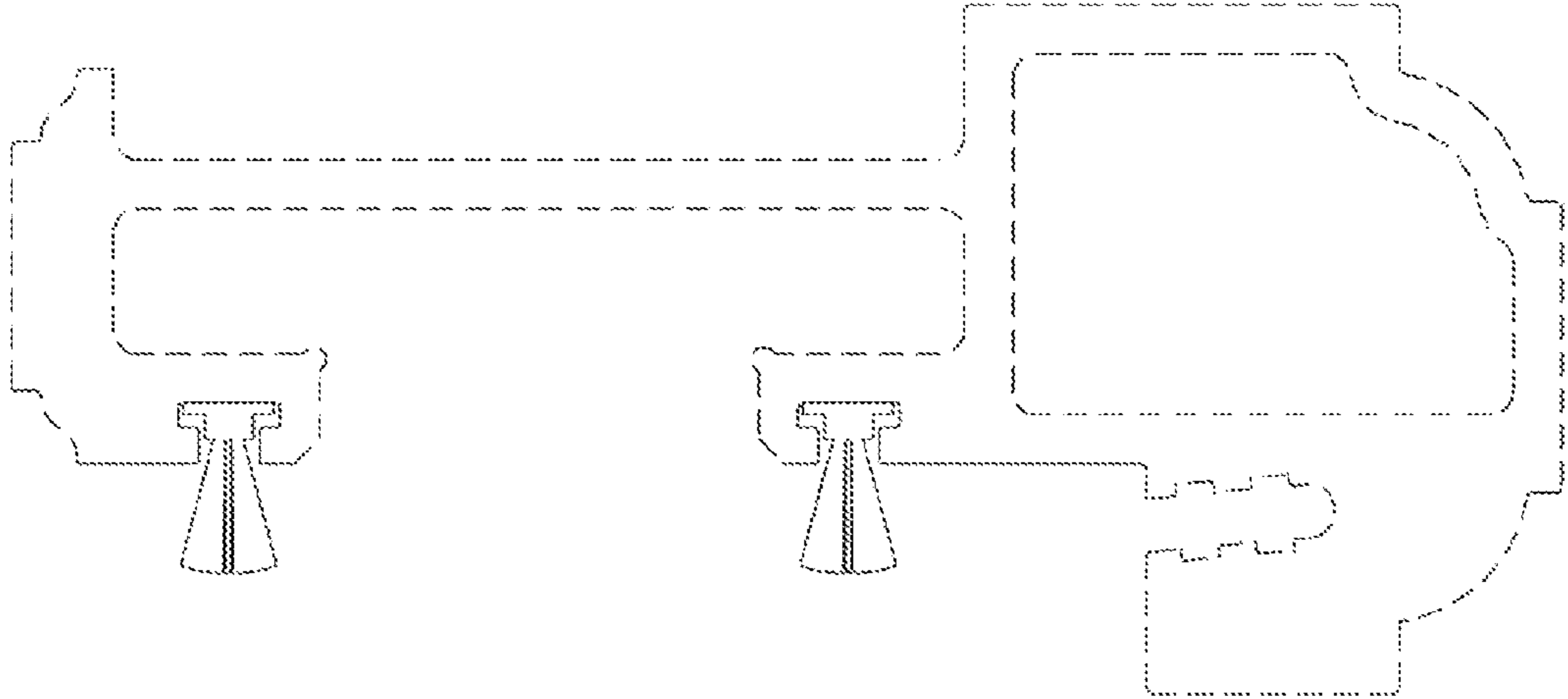


Fig. 2



Fig. 3

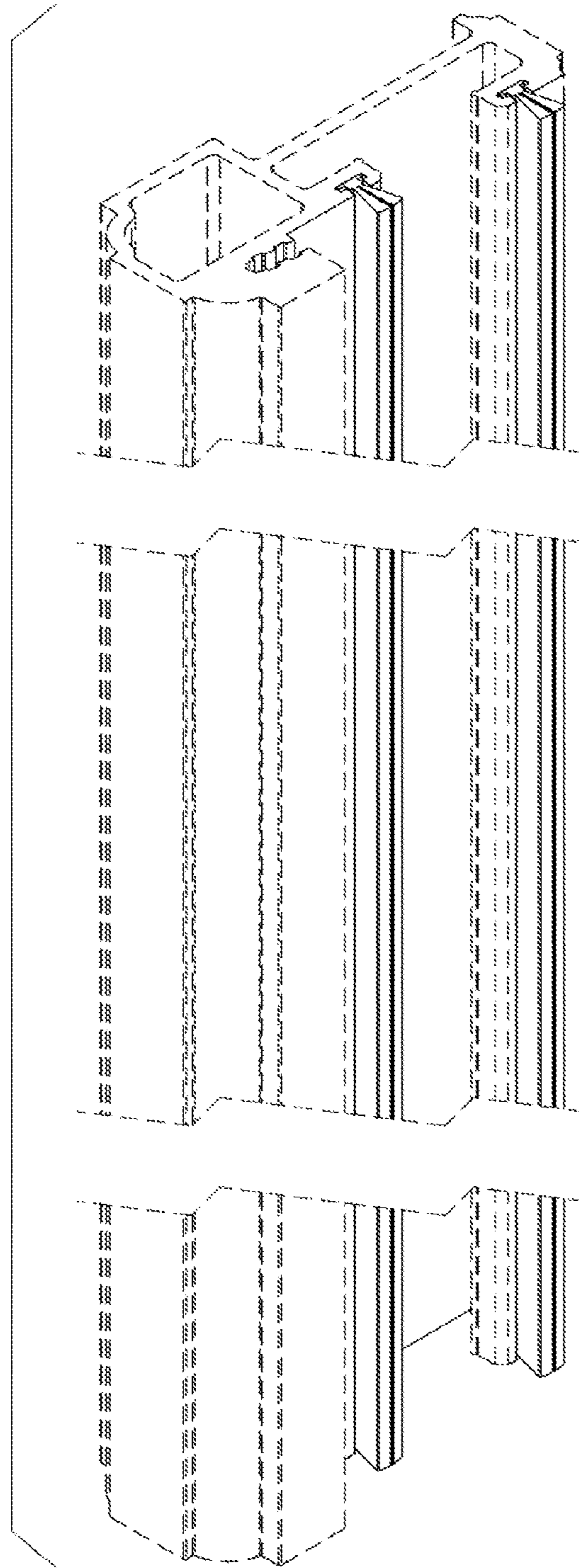


Fig. 4

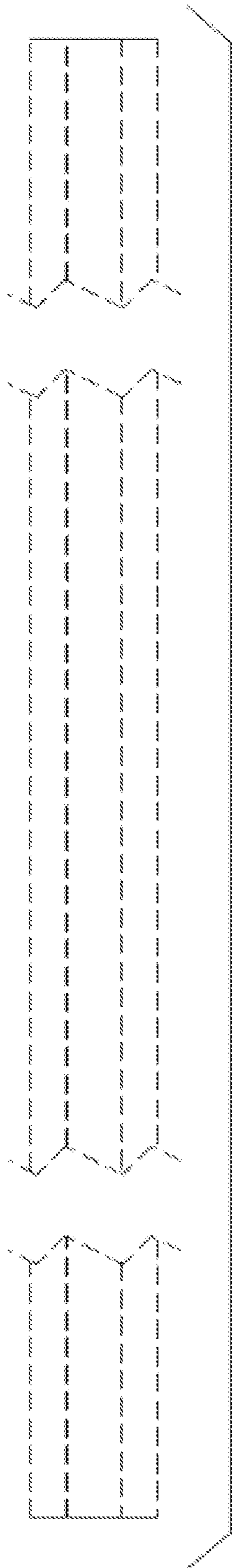


Fig. 5

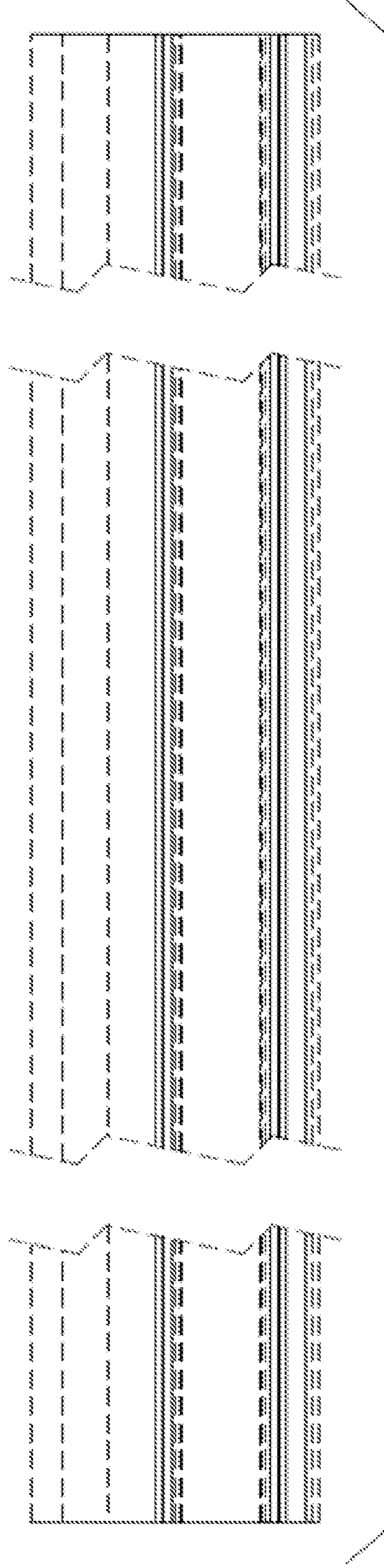
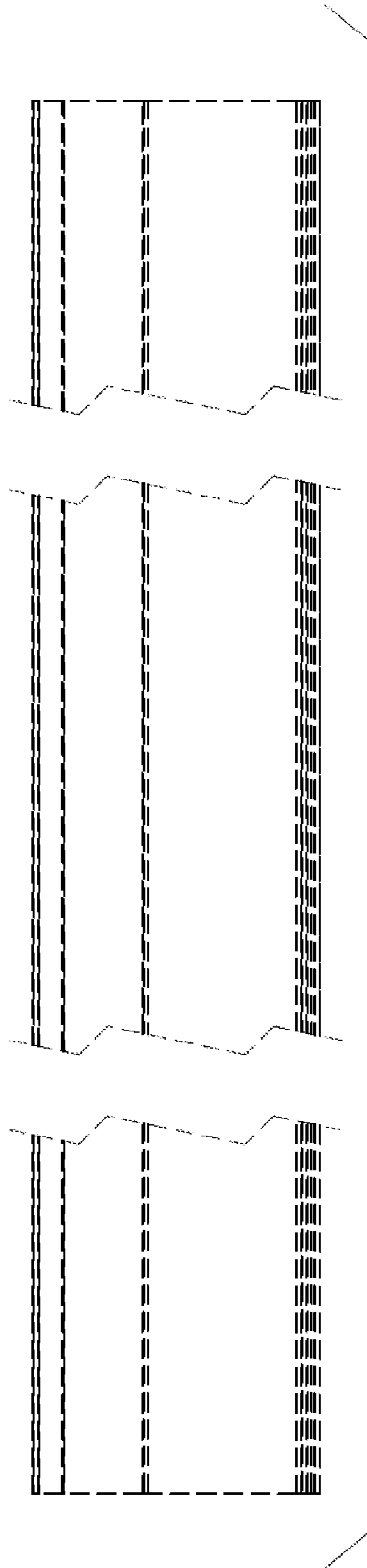
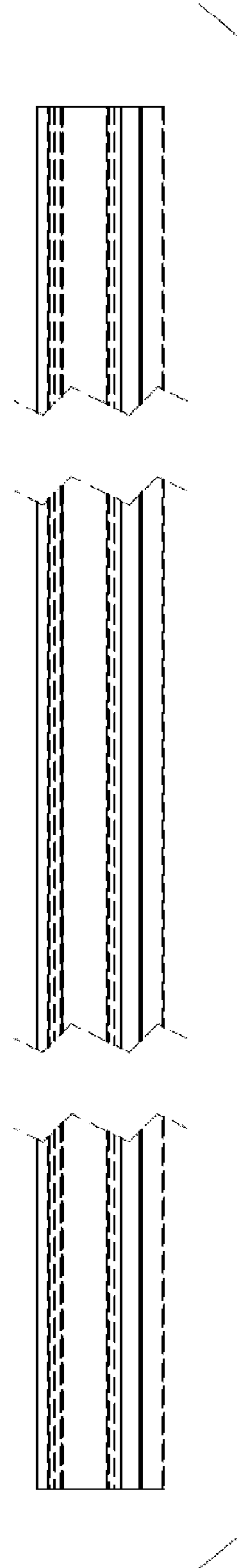


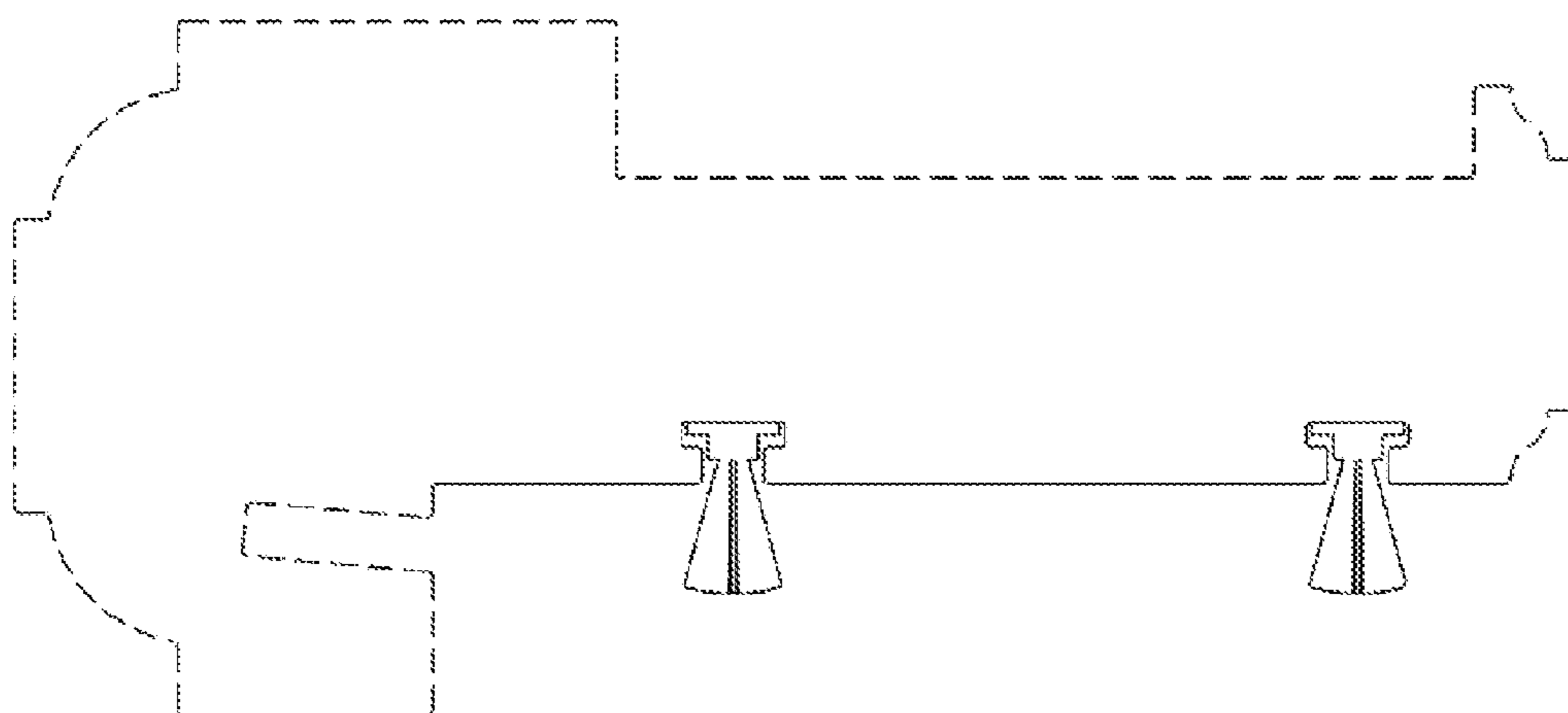
Fig. 6



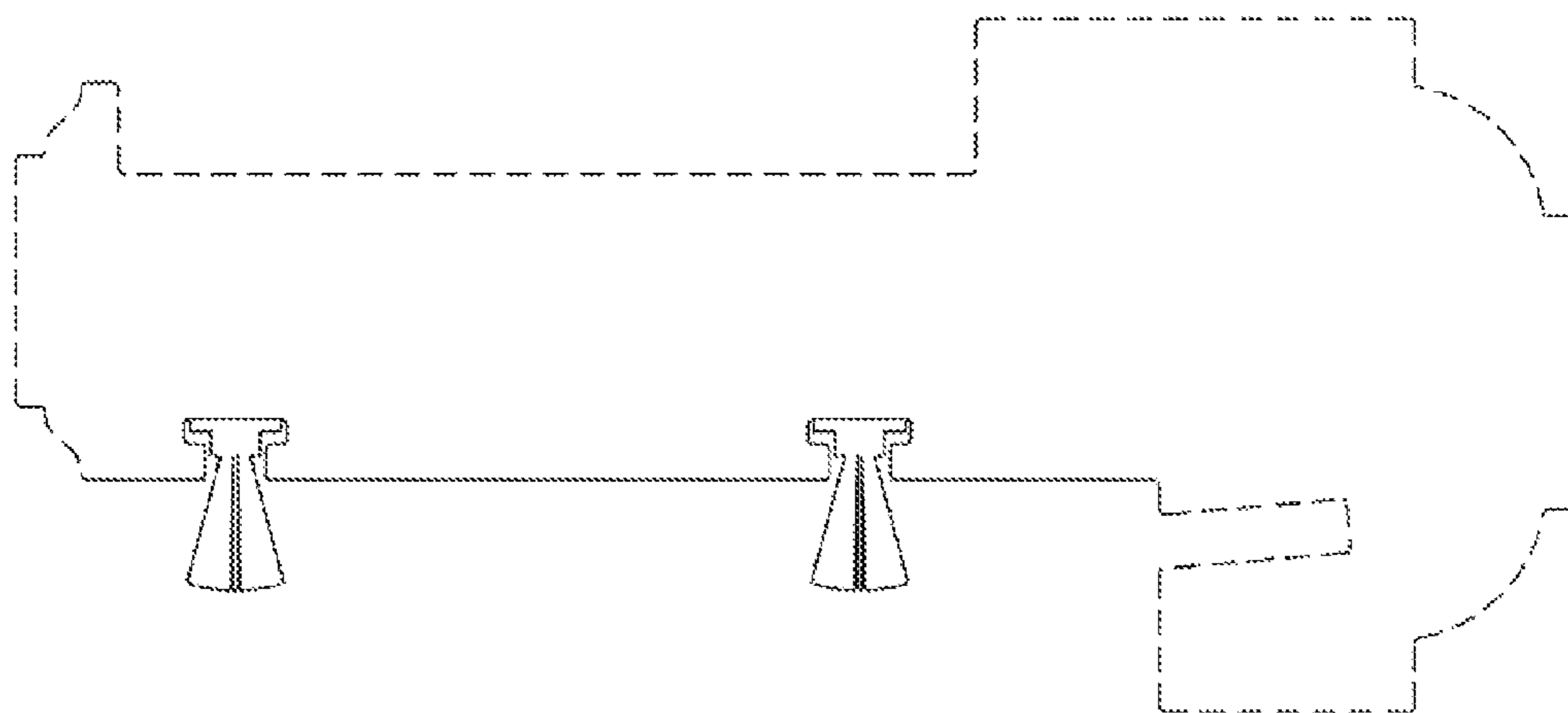
*Fig. 7*



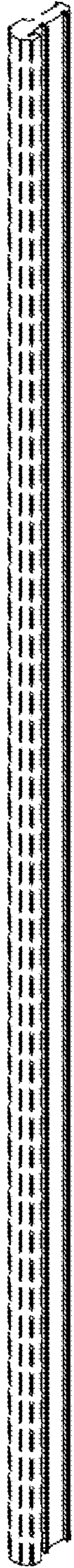
*Fig. 8*



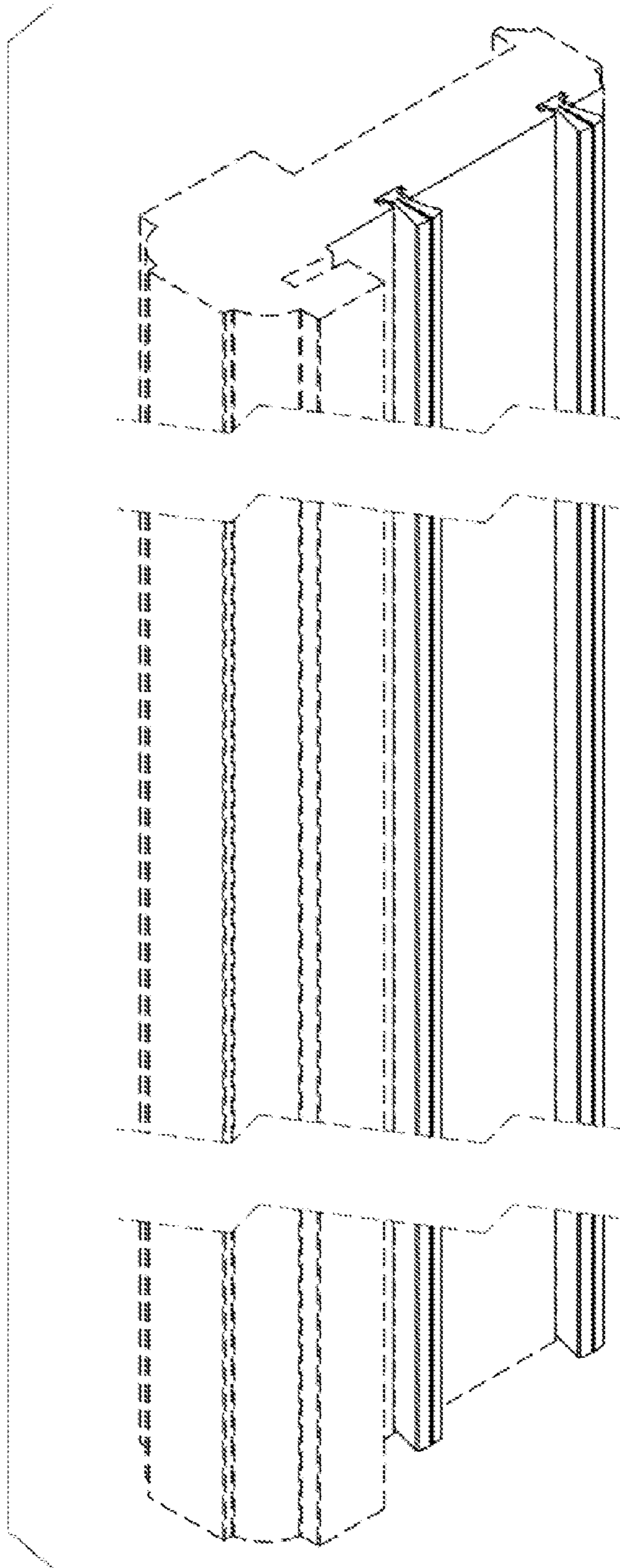
*Fig. 9*



*Fig. 10*



*Fig. 11*



*Fig. 12*

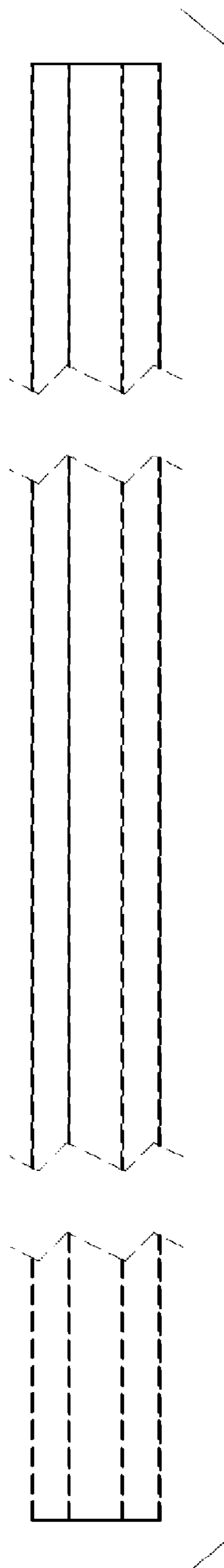


Fig. 13

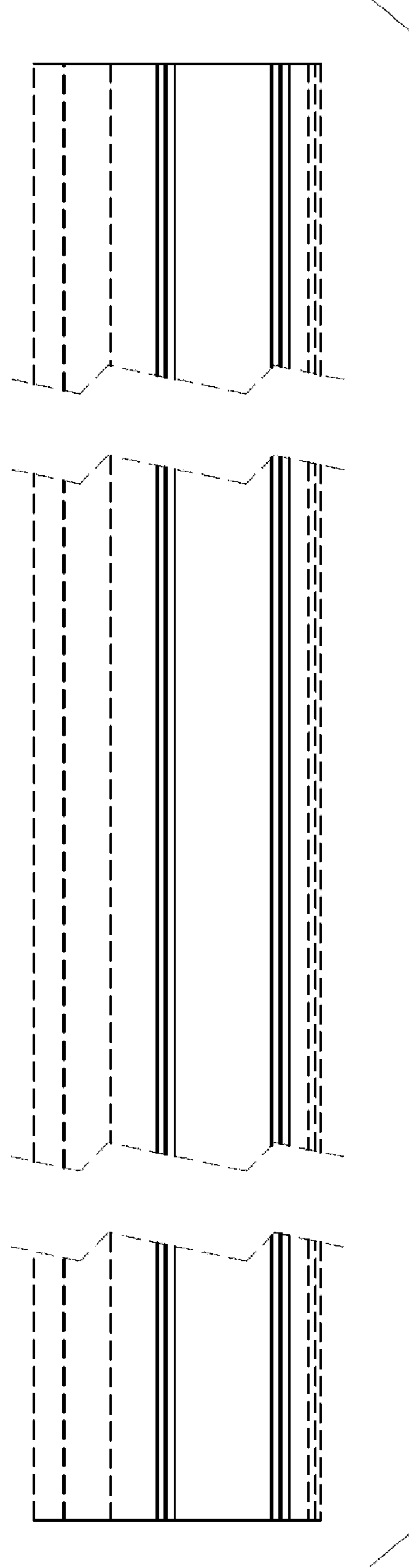
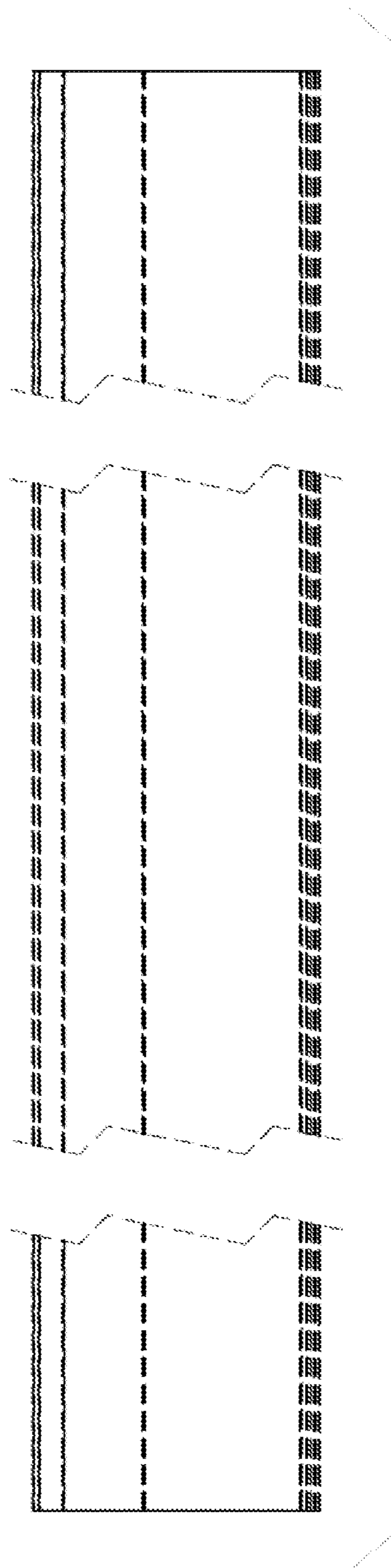
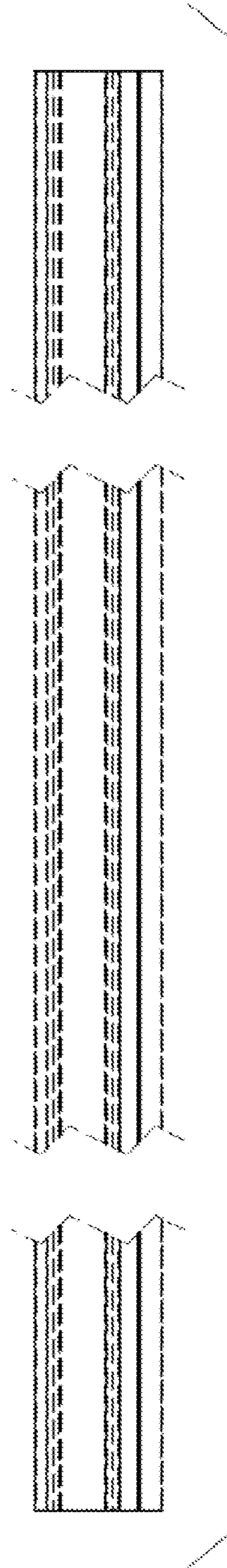


Fig. 14





*Fig. 15*



*Fig. 16*