



US00D672472S

(12) **United States Design Patent**
Dolceamore et al.

(10) **Patent No.:** **US D672,472 S**
(45) **Date of Patent:** **** Dec. 11, 2012**

(54) **SOLAR CANOPY SYSTEM**

(75) Inventors: **John Dolceamore**, Drexel Hill, PA (US);
John Scorsone, Philadelphia, PA (US);
Peter Officer, Cherry Hill, NJ (US);
Michael J. Tamburri, Mt. Laurel, NJ
(US)

(73) Assignee: **SolareAmerica**, Malvern, PA (US)

(**) Term: **14 Years**

(21) Appl. No.: **29/411,159**

(22) Filed: **Jan. 17, 2012**

(51) **LOC (9) Cl.** **25-03**

(52) **U.S. Cl.** **D25/22**

(58) **Field of Classification Search** D25/15,
D25/17-18, 20, 22-30, 33, 34, 56; D13/102;
52/63, 74, 73, 66, 75, 78, 89

See application file for complete search history.

(56) **References Cited**

U.S. PATENT DOCUMENTS

D192,723	S	*	5/1962	Lane	D25/56
5,692,534	A	*	12/1997	Brumfield	135/90
D408,554	S	*	4/1999	Dinwoodie	D25/56
6,201,179	B1		3/2001	Dalacu		
D511,576	S	*	11/2005	Shingleton et al.	D25/56
7,531,741	B1	*	5/2009	Melton et al.	136/246
D611,404	S	*	3/2010	Mackler	D13/102
D611,405	S	*	3/2010	Mackler	D13/102
D631,824	S	*	2/2011	Tanaka et al.	D13/102
D643,937	S	*	8/2011	Boesch	D25/56
D647,216	S	*	10/2011	Richardson	D25/56
D657,736	S	*	4/2012	Mackler	D13/102
D657,737	S	*	4/2012	Mackler	D13/102

D657,738	S	*	4/2012	Mackler	D13/102
D664,916	S	*	8/2012	Conger	D13/102
D665,731	S	*	8/2012	Conger	D13/102
2009/0050194	A1	*	2/2009	Noble et al.	136/251
2009/0266400	A1		10/2009	DeLiddo et al.		
2010/0269428	A1		10/2010	Stancel et al.		
2010/0314509	A1	*	12/2010	Conger	248/121
2011/0179727	A1		7/2011	Liu		
2011/0233157	A1		9/2011	Kmita		
2012/0016815	A1		1/2012	DeBartolo, III et al.		
2012/0017526	A1		1/2012	Eide		
2012/0031456	A1		2/2012	Christman et al.		
2012/0037214	A1		2/2012	Sagayama		

* cited by examiner

Primary Examiner — Eric Goodman

(74) *Attorney, Agent, or Firm* — Panitch Schwarze Belisario & Nadel LLP

(57) **CLAIM**

The ornamental design for a solar canopy system, as shown and described.

DESCRIPTION

FIG. 1 is a right side elevational view of a solar canopy system in accordance with our new design;

FIG. 2 is a rear elevational view thereof;

FIG. 3 is a front elevational view thereof;

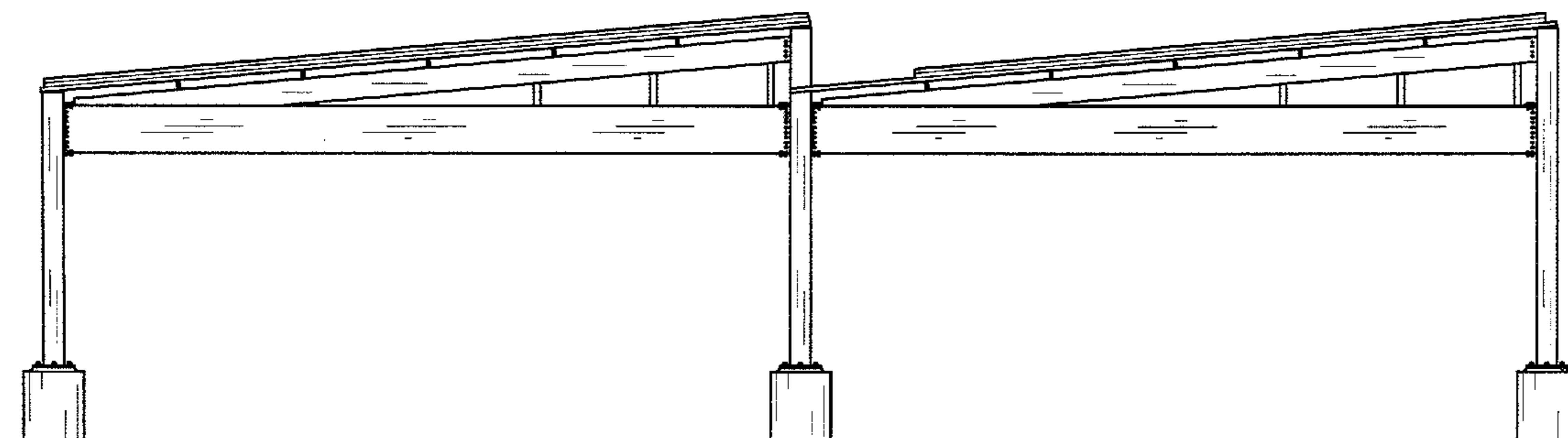
FIG. 4 is a top plan view thereof; and,

FIG. 5 is a front perspective view thereof.

The broken lines in the figures are for the purpose of showing environmental structure and form no part of the claimed design.

The left side elevational view of the solar canopy system is not shown in the drawings or described in the specification and, therefore, forms not part of the claimed design.

1 Claim, 4 Drawing Sheets



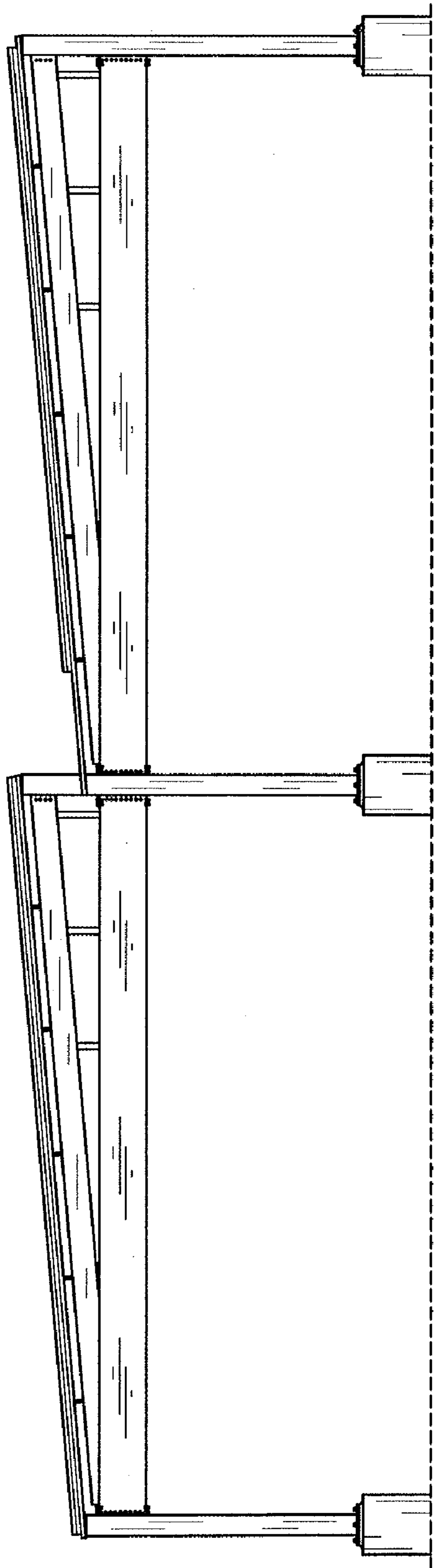


Fig. 1

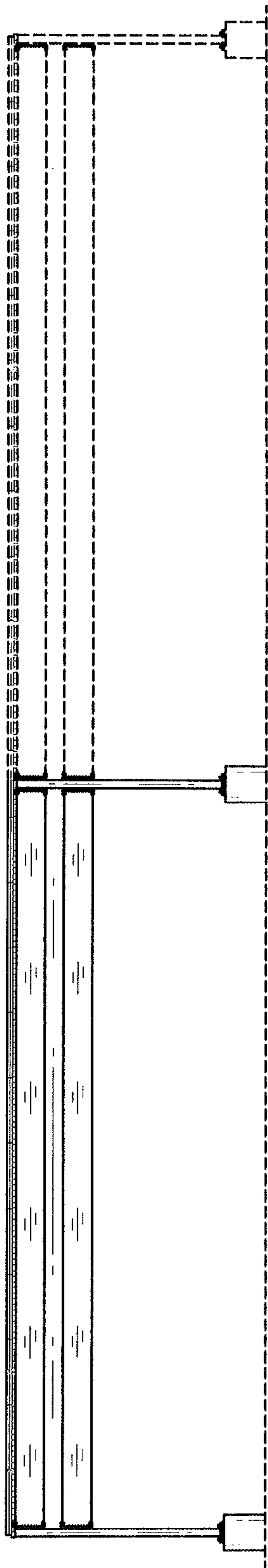


Fig. 2

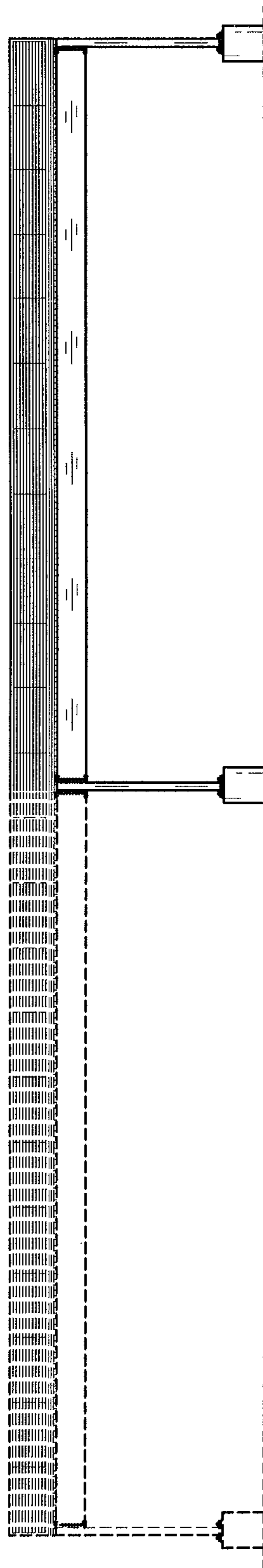


Fig. 3

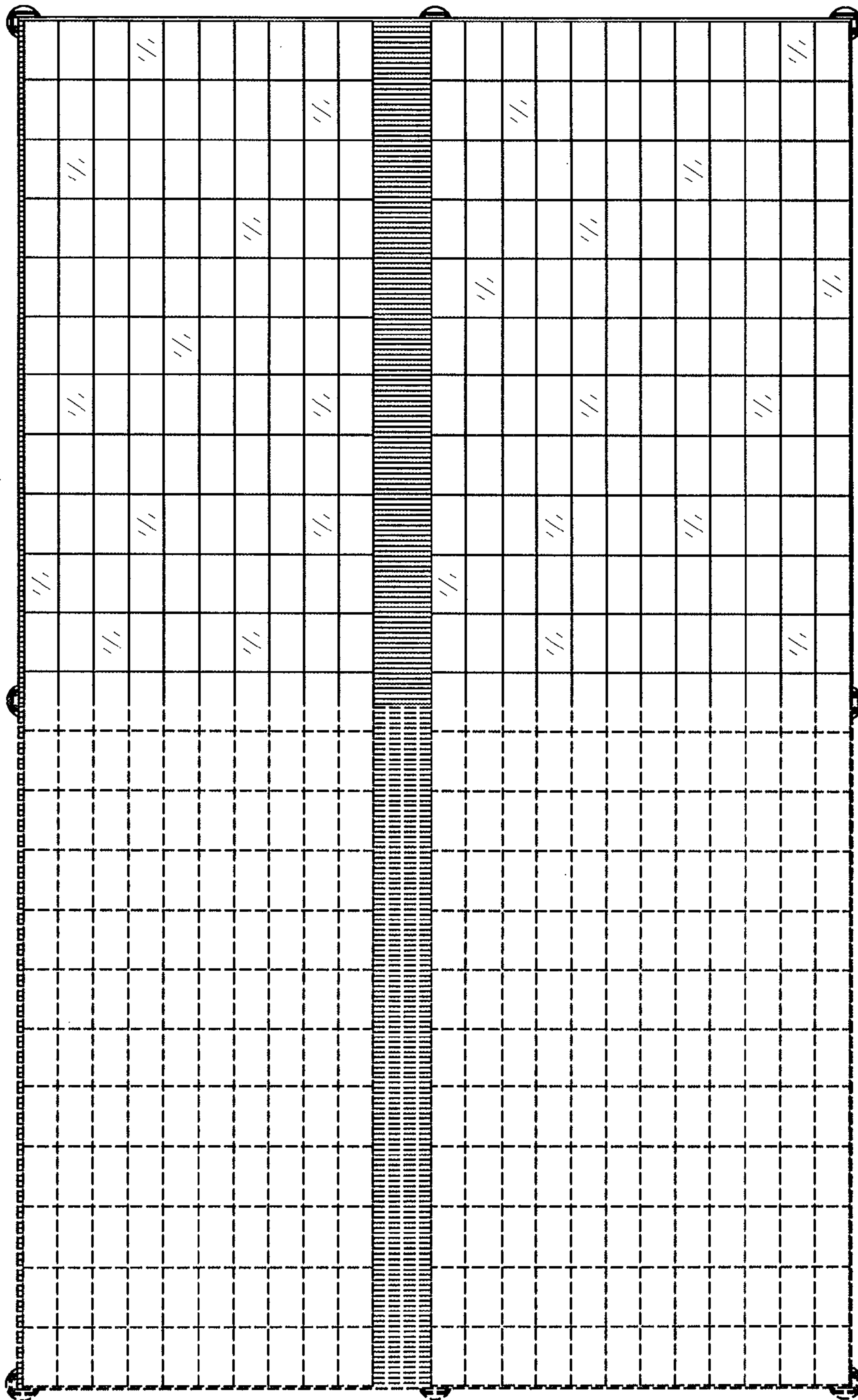


Fig. 4

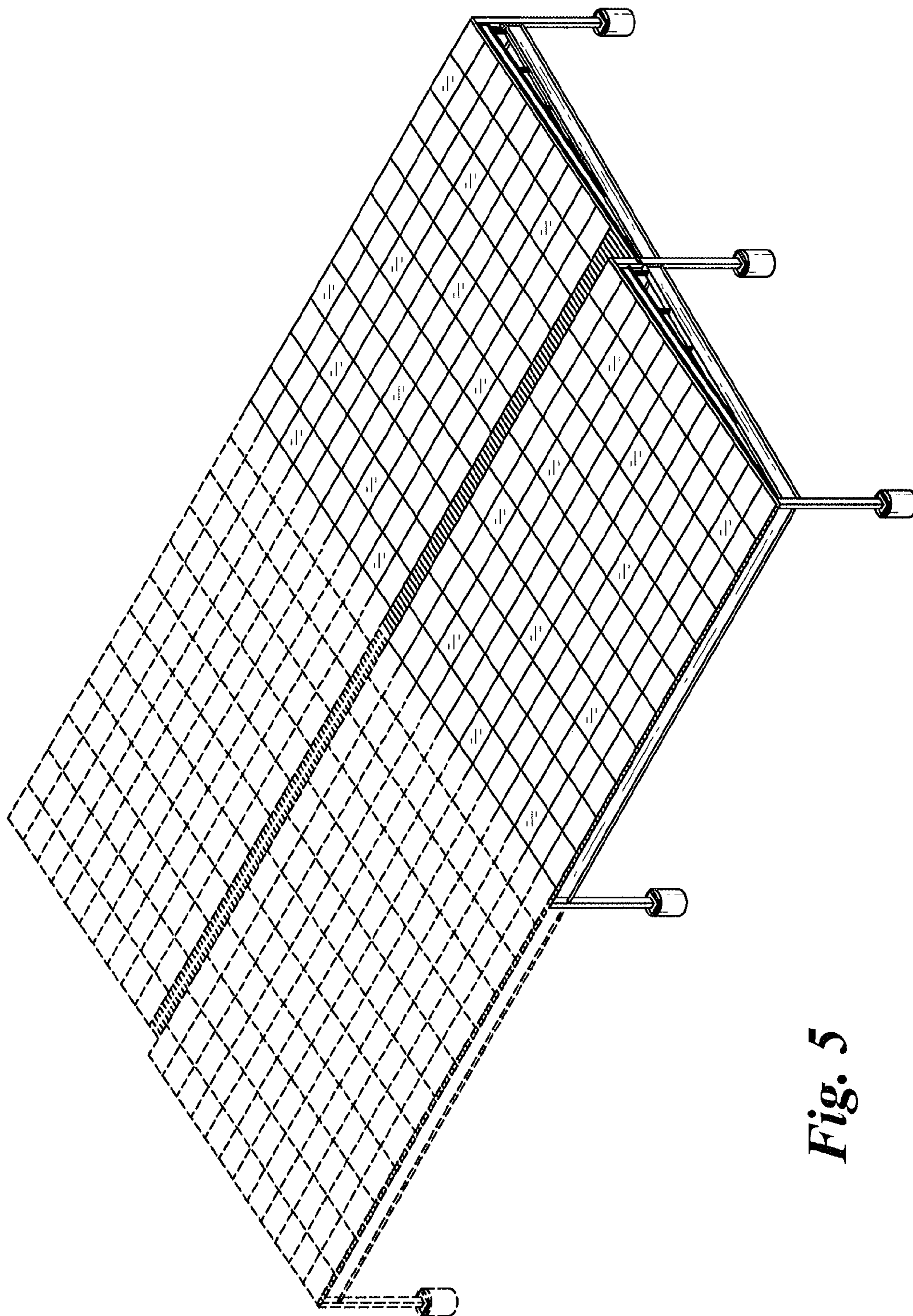


Fig. 5