



US00D672471S

(12) **United States Design Patent**
Franco et al.

(10) **Patent No.:** **US D672,471 S**
(45) **Date of Patent:** **** Dec. 11, 2012**

(54) **MEDICAL APPARATUS AND EQUIPMENT FOR LABORATORIES**

(75) Inventors: **Fabio Franco**, Cislago (IT); **Mauro Verderio**, Vimodrone (IT)

(73) Assignee: **IWT S.R.L.**, Casale Litta (IT)

(**) Term: **14 Years**

(21) Appl. No.: **29/402,913**

(22) Filed: **Sep. 29, 2011**

(30) **Foreign Application Priority Data**

Mar. 31, 2011 (EP) 001843822-0001

(51) **LOC (9) Cl.** **24-01**

(52) **U.S. Cl.** **D24/232**

(58) **Field of Classification Search** D24/232,
D24/169, 176, 186, 216, 231; D10/81; 356/244,
356/246; D6/329, 436, 445; 600/300; 422/50,
422/63, 62, 65-66, 80-81, 89, 67, 68.1, 145,
422/143, 147, 311

See application file for complete search history.

(56) **References Cited**

U.S. PATENT DOCUMENTS

4,236,894 A * 12/1980 Sommervold 422/67
D277,979 S * 3/1985 Brown et al. D10/81
4,979,376 A * 12/1990 Biehl et al. D24/232
D319,307 S * 8/1991 Sakagami et al. D24/232
D328,793 S * 8/1992 Holbl D24/216
D358,895 S * 5/1995 Holbl D24/216
D471,988 S * 3/2003 Lueth et al. D24/232
7,240,497 B2 * 7/2007 Dorenkamp et al. 62/51.1
7,287,388 B2 * 10/2007 Dorenkamp et al. 422/65
D652,947 S * 1/2012 Philipak et al. D24/216

FOREIGN PATENT DOCUMENTS

EM 001843822-0002 * 3/2011

* cited by examiner

Primary Examiner — Wan Laymon

(74) Attorney, Agent, or Firm — LeClairRyan, a Professional Corporation

(57) **CLAIM**

The ornamental design for a medical apparatus and equipment for laboratories, as shown and described.

DESCRIPTION

FIG. 1 is a front elevational view of a medical apparatus and equipment for laboratories;

FIG. 2 is a front perspective view of the medical apparatus and equipment for laboratories, illustrated in FIG. 1;

FIG. 3 is a top plan view of the medical apparatus and equipment for laboratories, illustrated in FIG. 1;

FIG. 4 is a right side elevational view of the medical apparatus and equipment for laboratories, illustrated in FIG. 1. The left side elevational view is a mirror image of the right side;

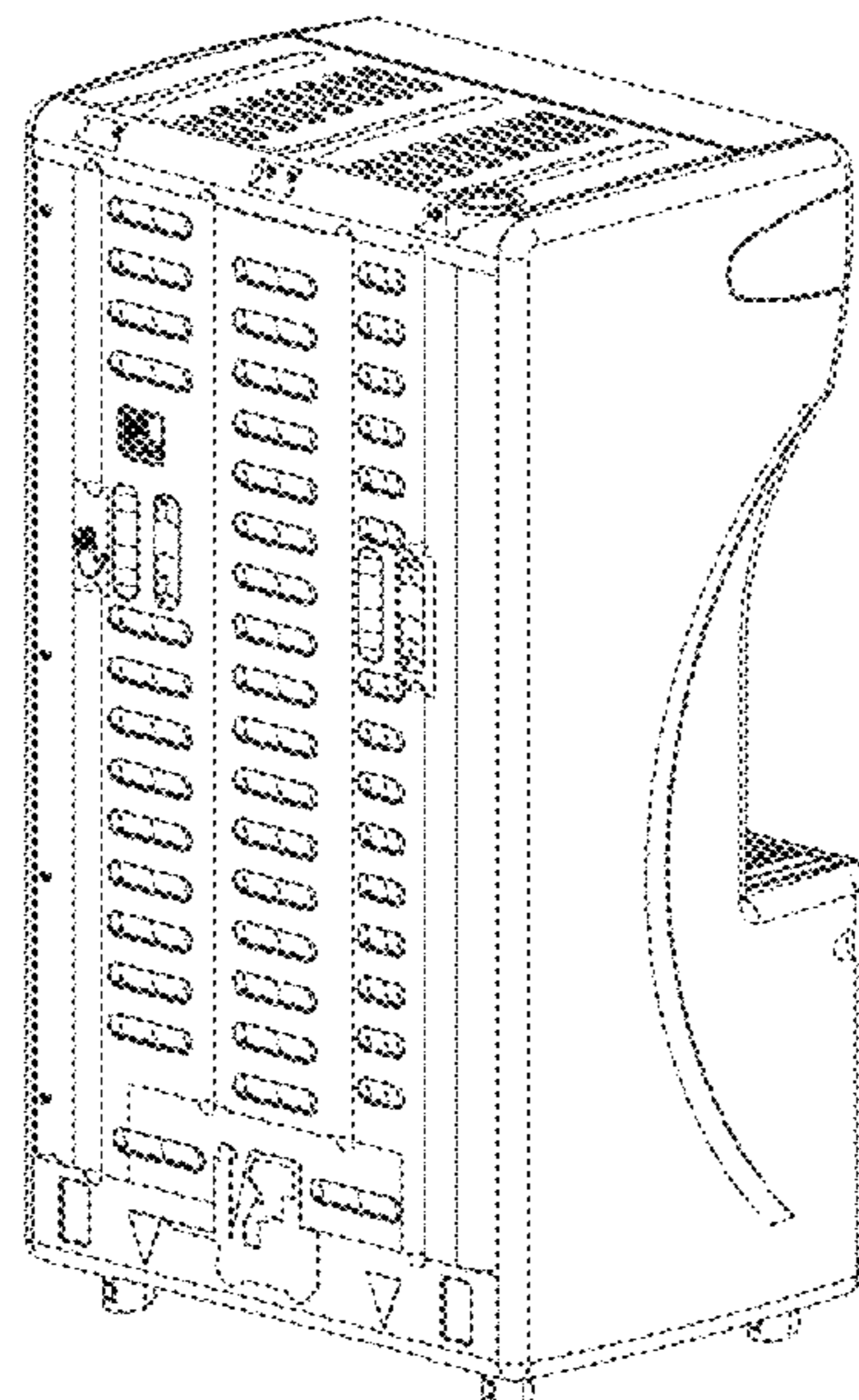
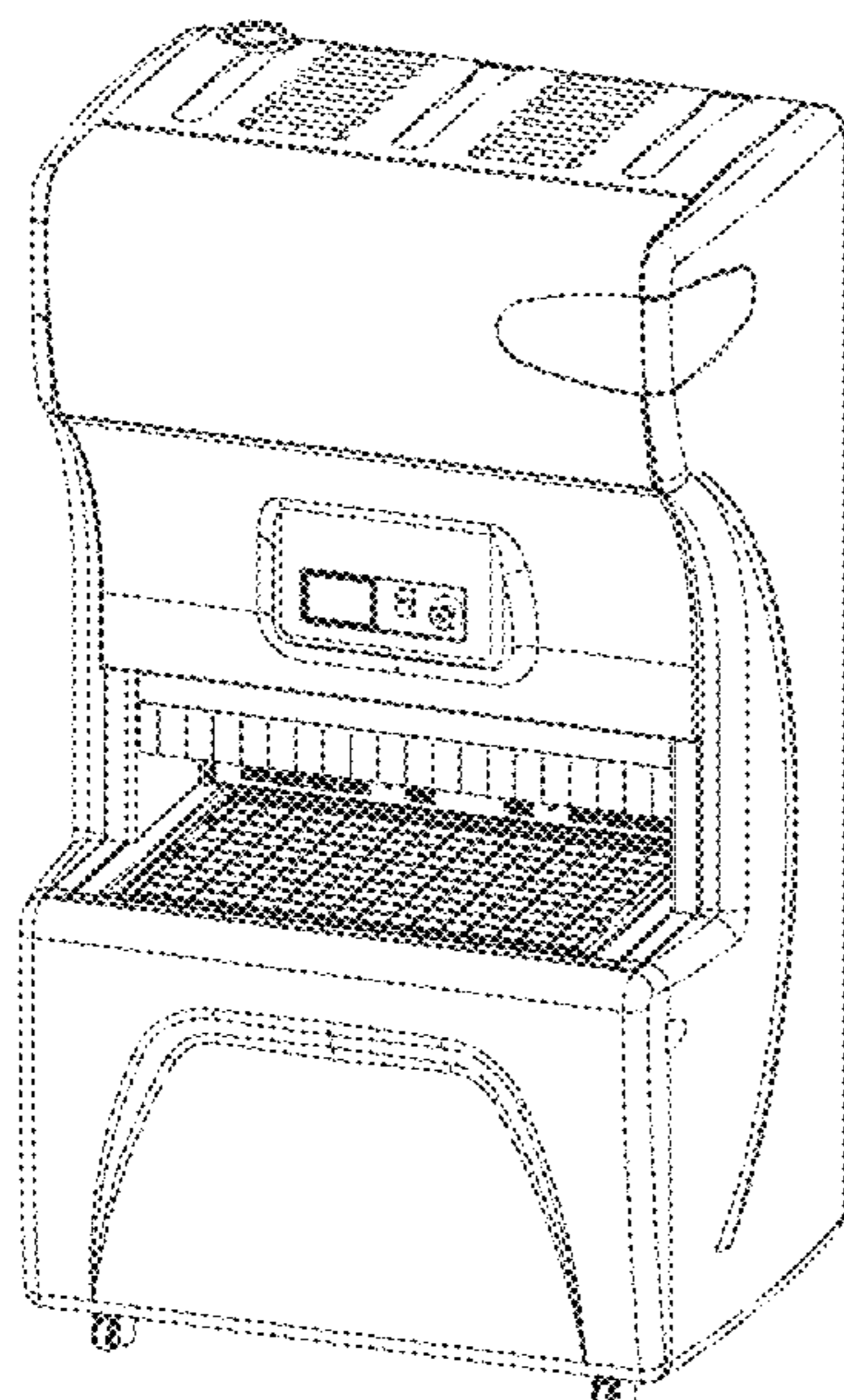
FIG. 5 is a rear elevational view of the medical apparatus and equipment for laboratories, illustrated in FIG. 1; and,

FIG. 6 is a rear perspective view of the medical apparatus and equipment for laboratories, illustrated in FIG. 1.

The designations of the views below as top, right side, front, and rear are for ease of discussion only and are not intended to limit the medical apparatus and equipment for laboratories to one particular orientation. The medical apparatus and equipment for laboratories can be oriented in other directions which would alter these designations. The drawings illustrated in FIGS. 1-6 are not necessarily drawn to the same scale, and any change in scale between different views is not intended limit the medical apparatus and equipment for laboratories to a particular size.

It should be appreciated that the broken line illustrations shown in the Figures are for illustrative purposes only and form no part of the claimed invention.

1 Claim, 6 Drawing Sheets



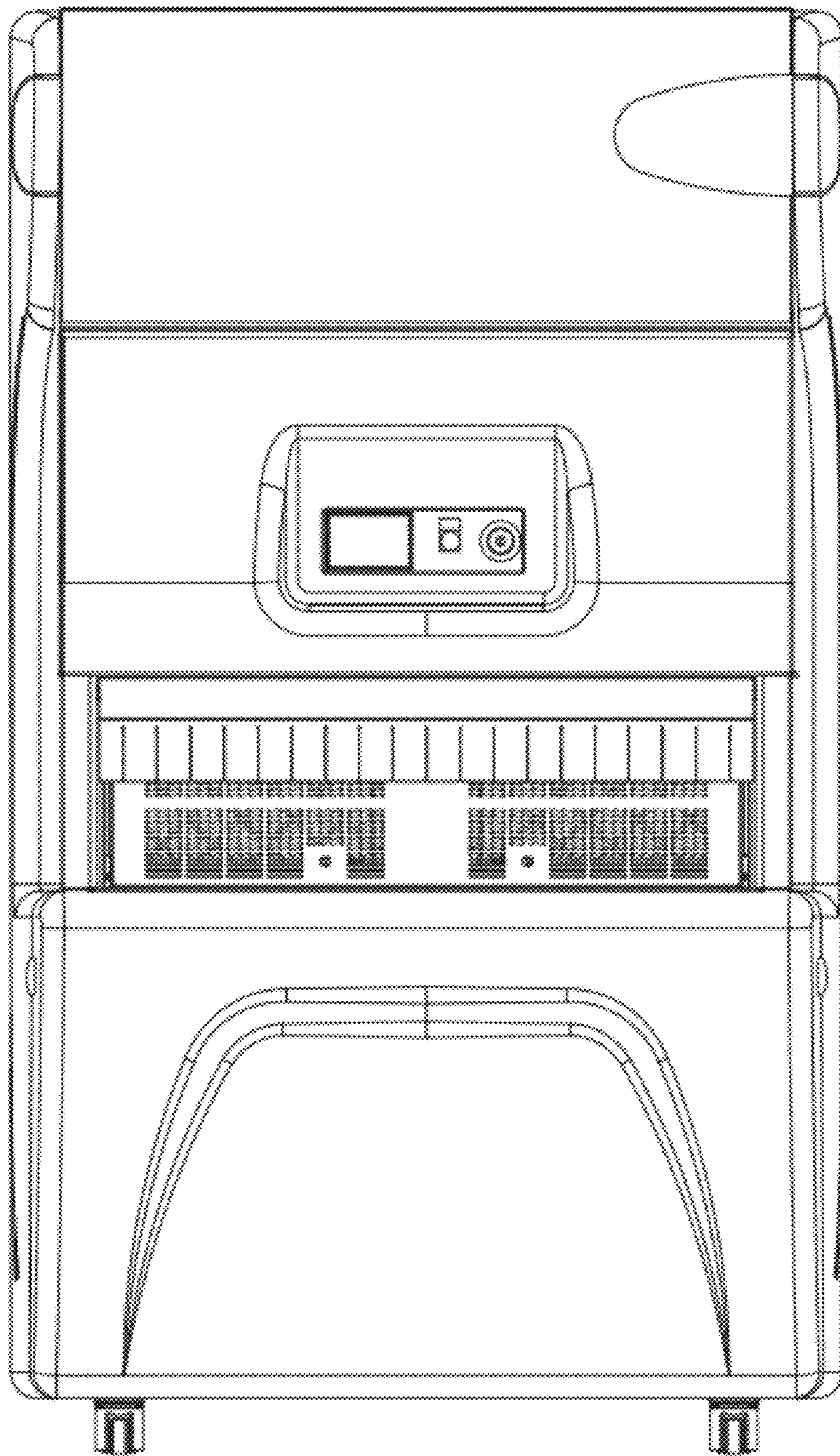


FIG. 1

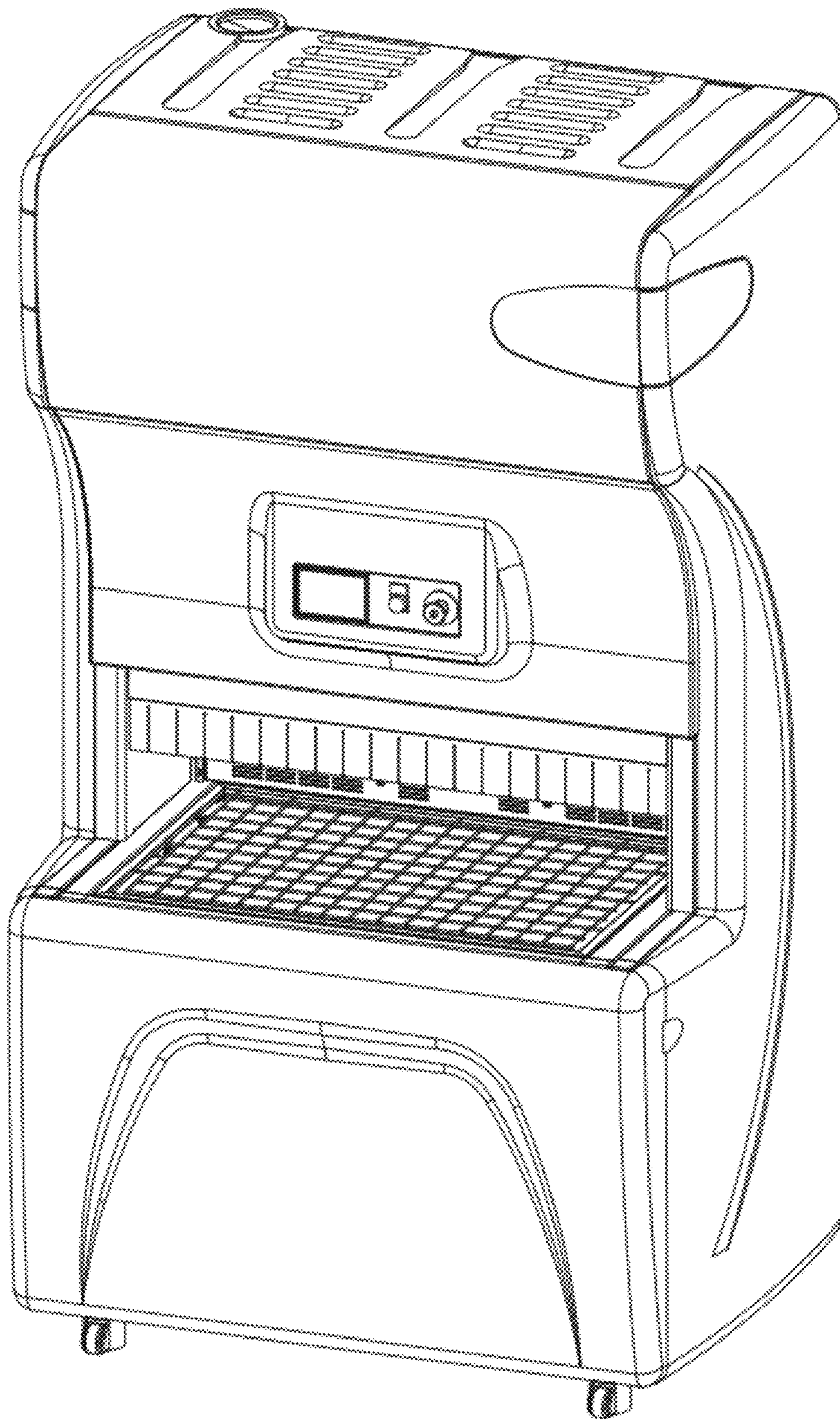


FIG. 2

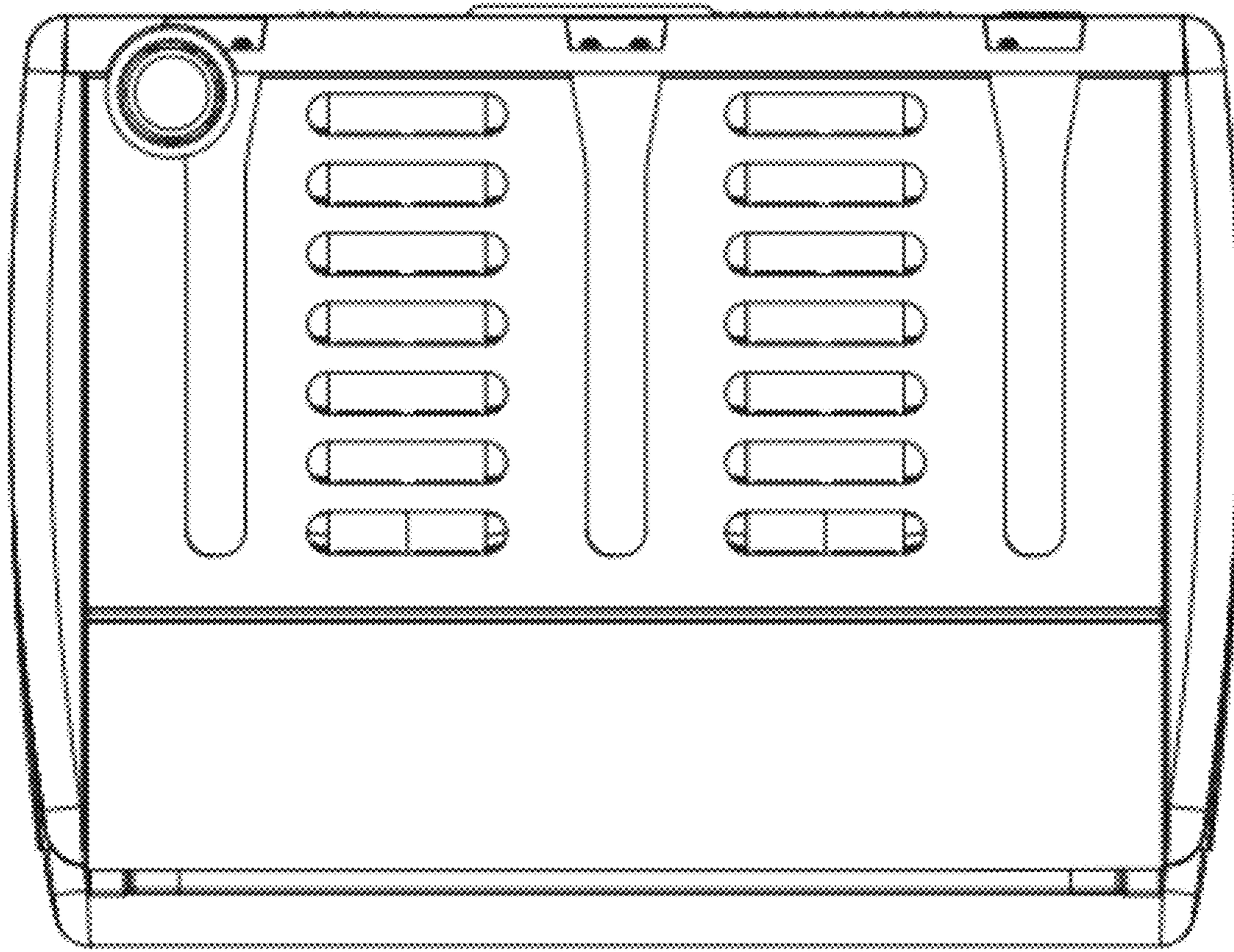


FIG. 3

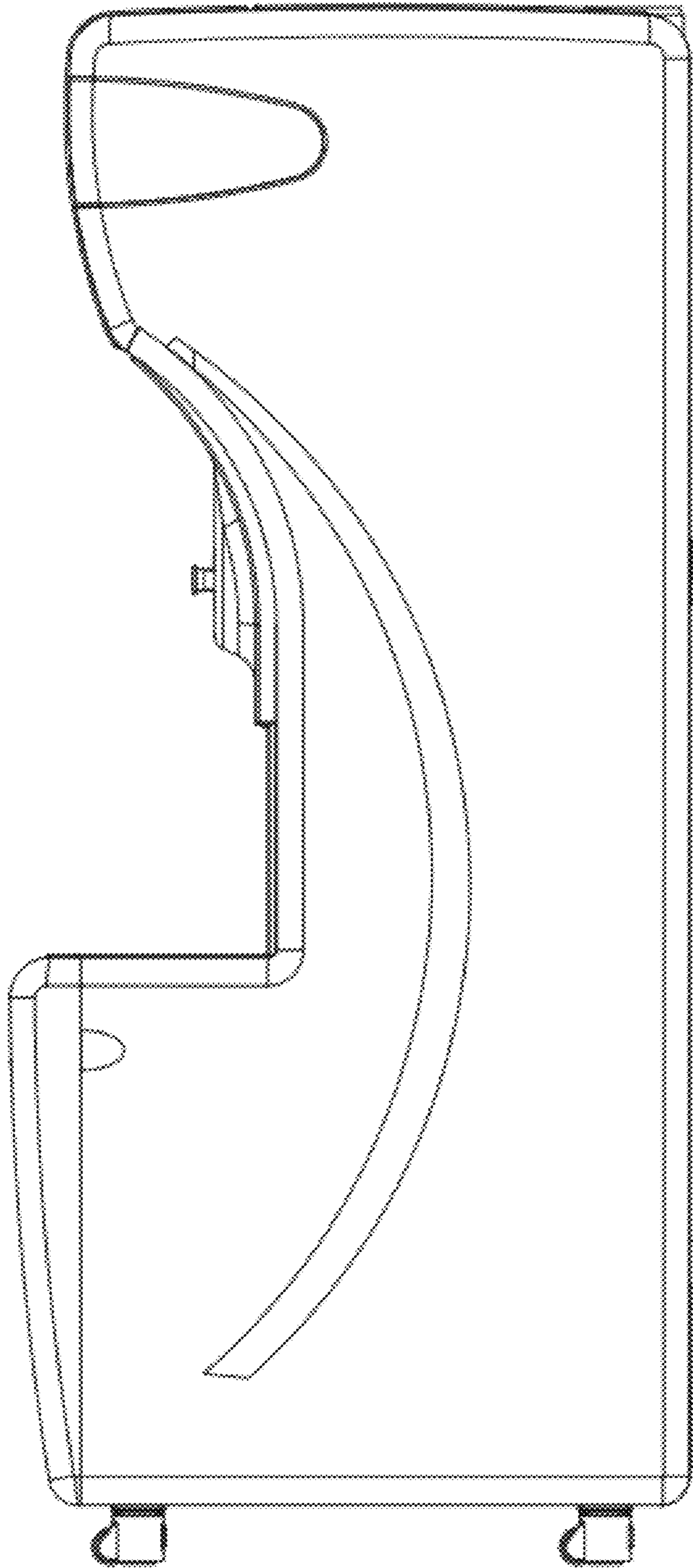


FIG. 4

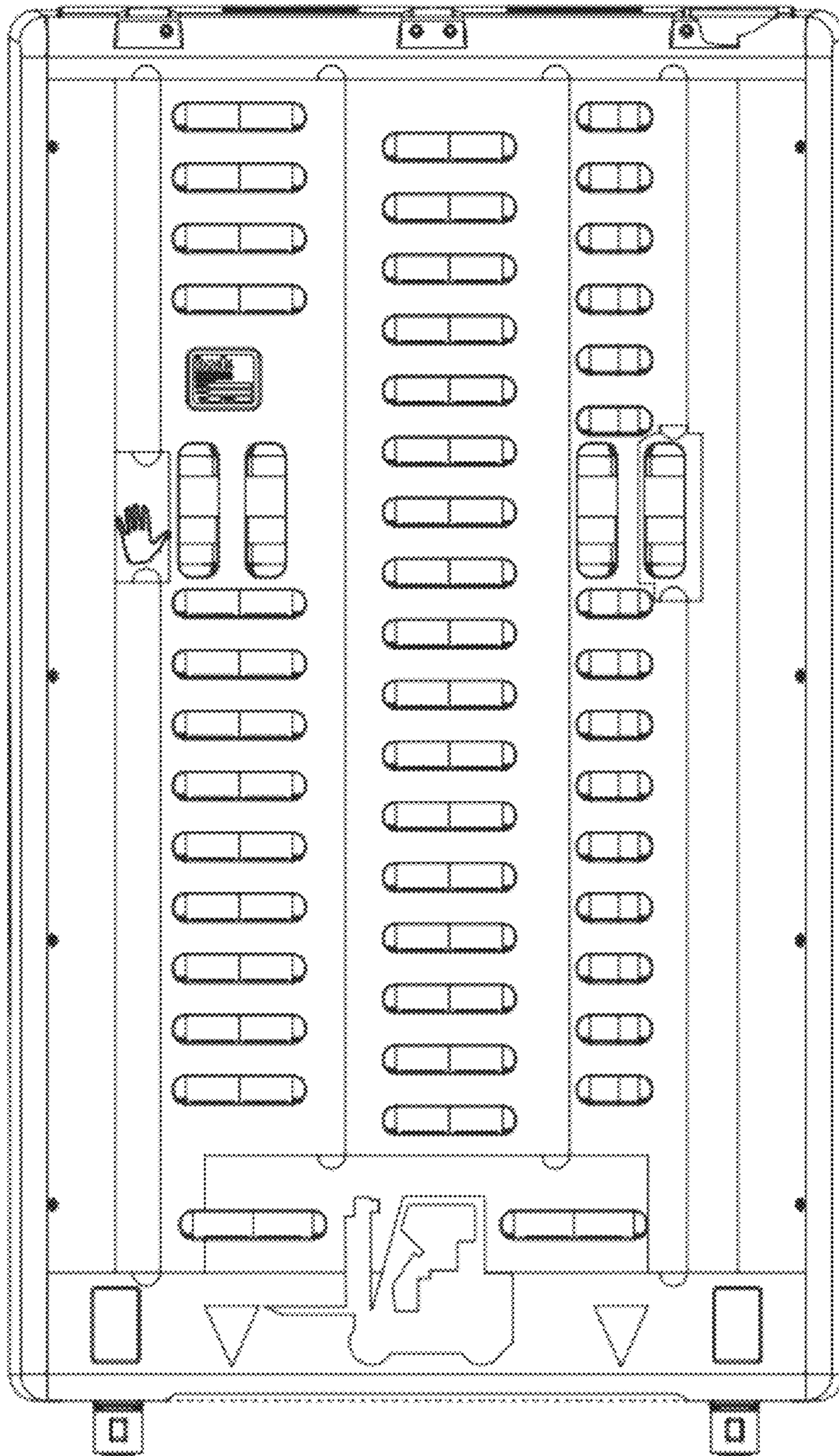


FIG. 5

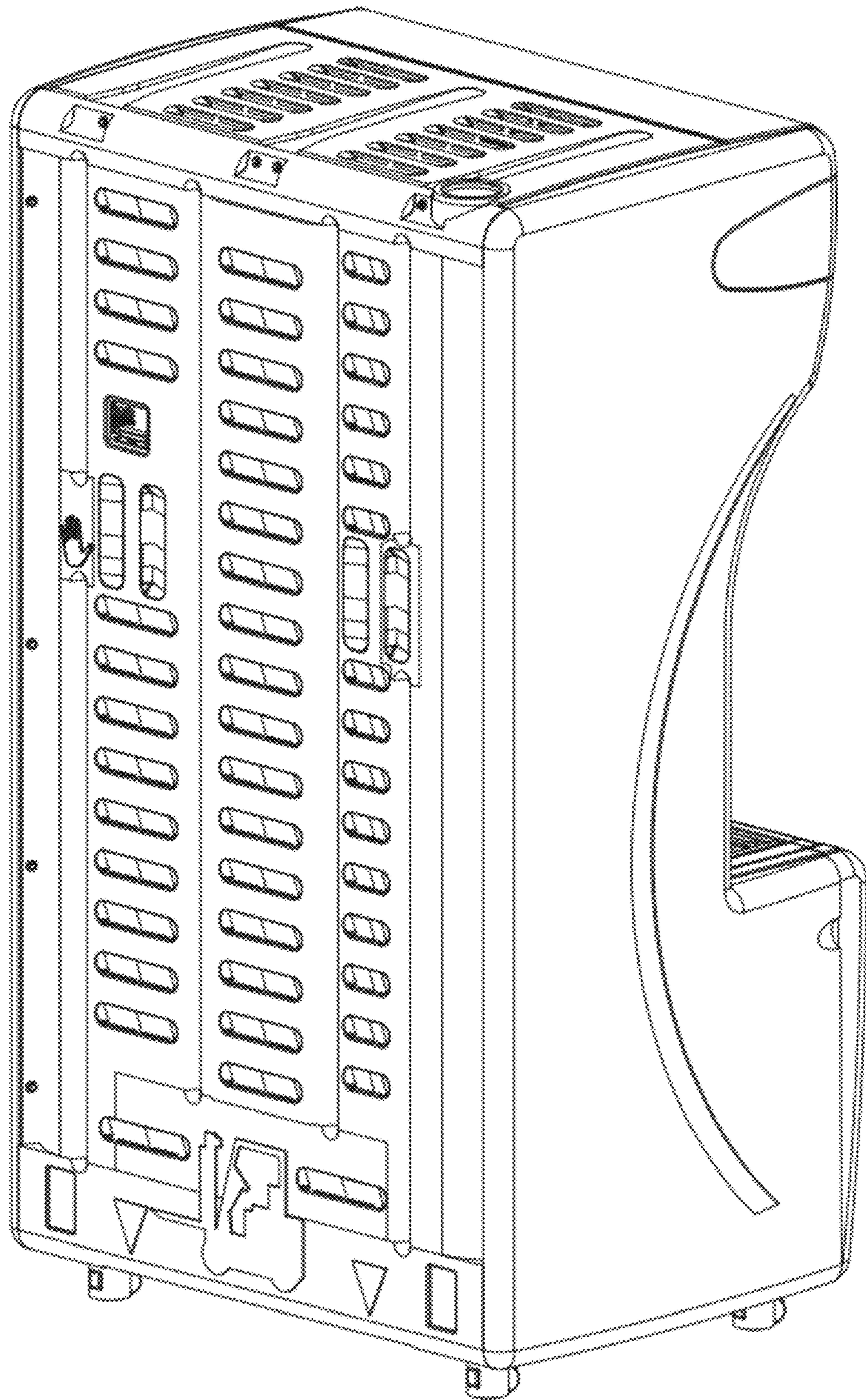


FIG. 6