

US00D672469S

(12) **United States Design Patent**
Christensen et al.

(10) **Patent No.:** **US D672,469 S**

(45) **Date of Patent:** **** Dec. 11, 2012**

(54) **HANDHELD PIPETTE**

(75) Inventors: **Kenneth V. Christensen**, Pleasanton, CA (US); **Joshua Todd Druker**, Redwood City, CA (US); **Tark Abed**, Palo Alto, CA (US); **Martin Aaron Leugers**, San Francisco, CA (US)

(73) Assignee: **Rainin Instrument, LLC**, Oakland, CA (US)

(**) Term: **14 Years**

(21) Appl. No.: **29/406,621**

(22) Filed: **Nov. 16, 2011**

(51) **LOC (9) Cl.** **24-02**

(52) **U.S. Cl.** **D24/222**

(58) **Field of Classification Search** D24/216,
D24/222-226, 231, 232, 169, 133; D10/81;
422/501; 73/864.01, 864.02, 864.11, 864.13,
73/864.14, 864.16

See application file for complete search history.

(56) **References Cited**

U.S. PATENT DOCUMENTS

D419,685 S * 1/2000 Jacquet et al. D24/222
D426,643 S * 6/2000 Rainin et al. D24/222

D438,630 S * 3/2001 Honore D24/222
D584,828 S * 1/2009 Rylski D24/222
D591,865 S * 5/2009 Hintikka D24/222
D625,429 S * 10/2010 Link et al. D24/222
D635,273 S * 3/2011 Malvoisin D24/222
2011/0036185 A1* 2/2011 Petrek et al. 73/864.18

* cited by examiner

Primary Examiner — Anhdao Doan

(74) *Attorney, Agent, or Firm* — Clarke A. Wixon

(57) **CLAIM**

We claim the ornamental design for a handheld pipette, as shown and described.

DESCRIPTION

FIG. 1 is a perspective view showing a side and front of the handheld pipette;

FIG. 2 is a side view of the handheld pipette;

FIG. 3 is a back view of the handheld pipette;

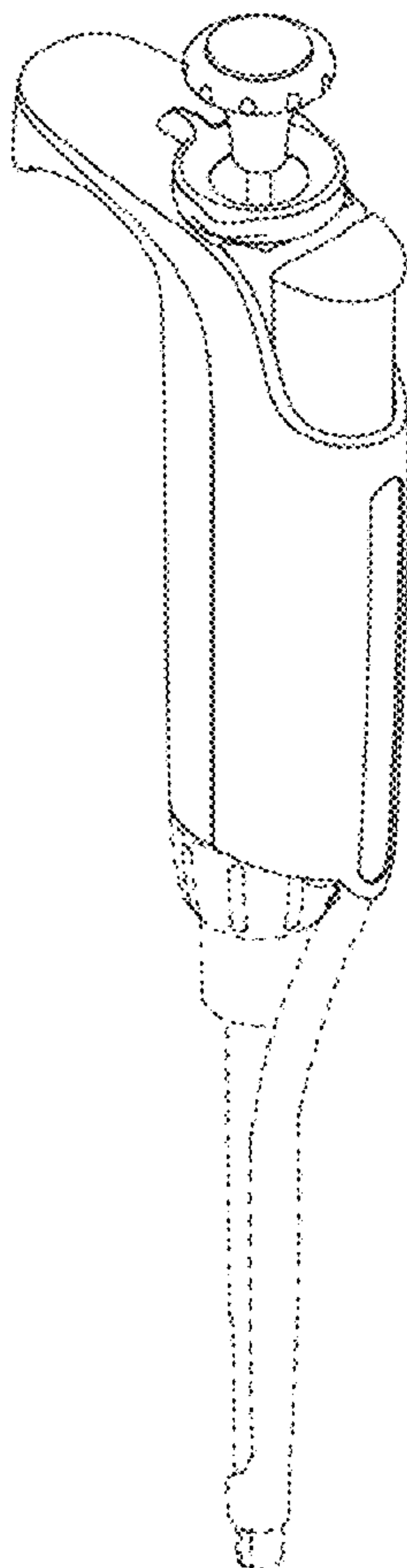
FIG. 4 is a front view of the handheld pipette;

FIG. 5 is a top view of the handheld pipette; and,

FIG. 6 is a bottom view of the handheld pipette.

The broken lines in the drawings are included for the purpose of illustrating portions of the handheld pipette that form no part of the claimed design.

1 Claim, 3 Drawing Sheets



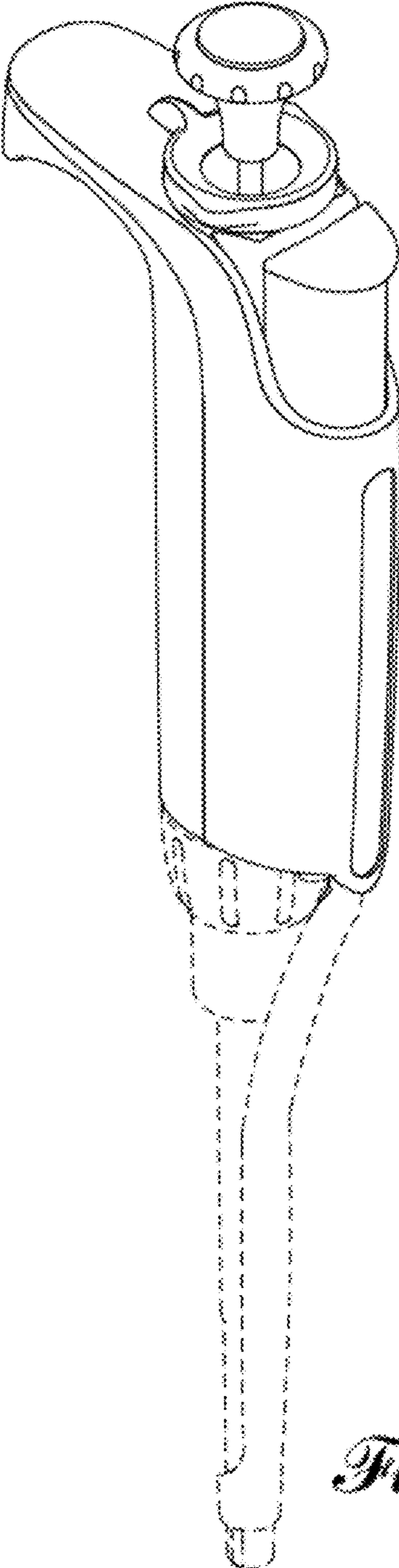


Fig. 1

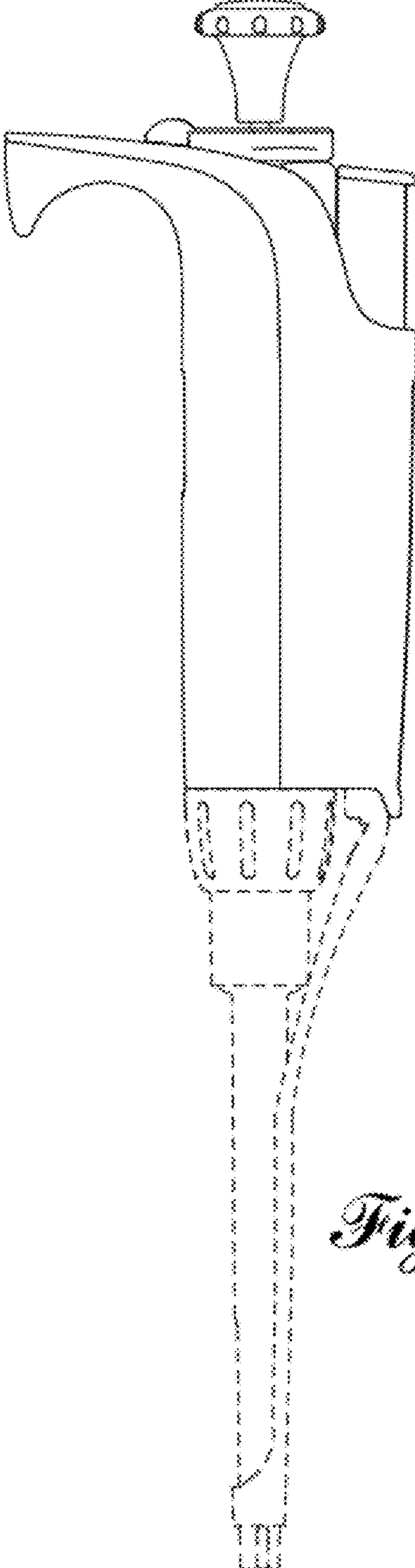


Fig. 2

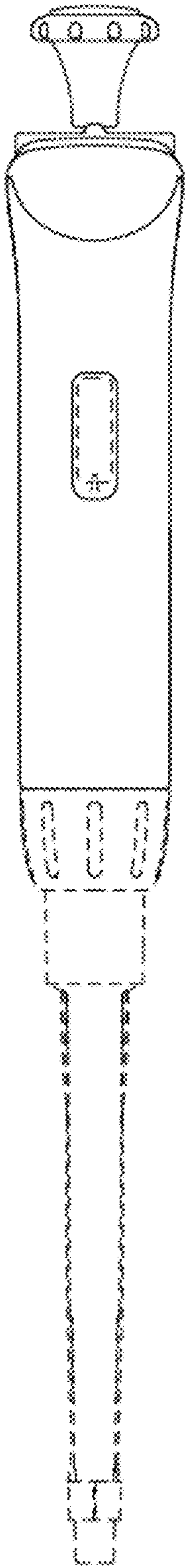


Fig. 3

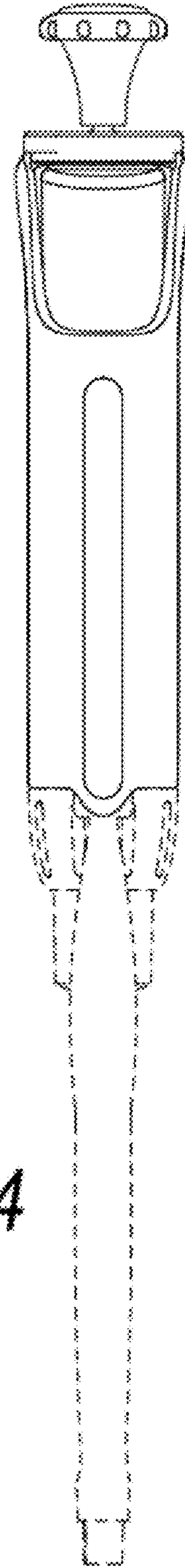


Fig. 4

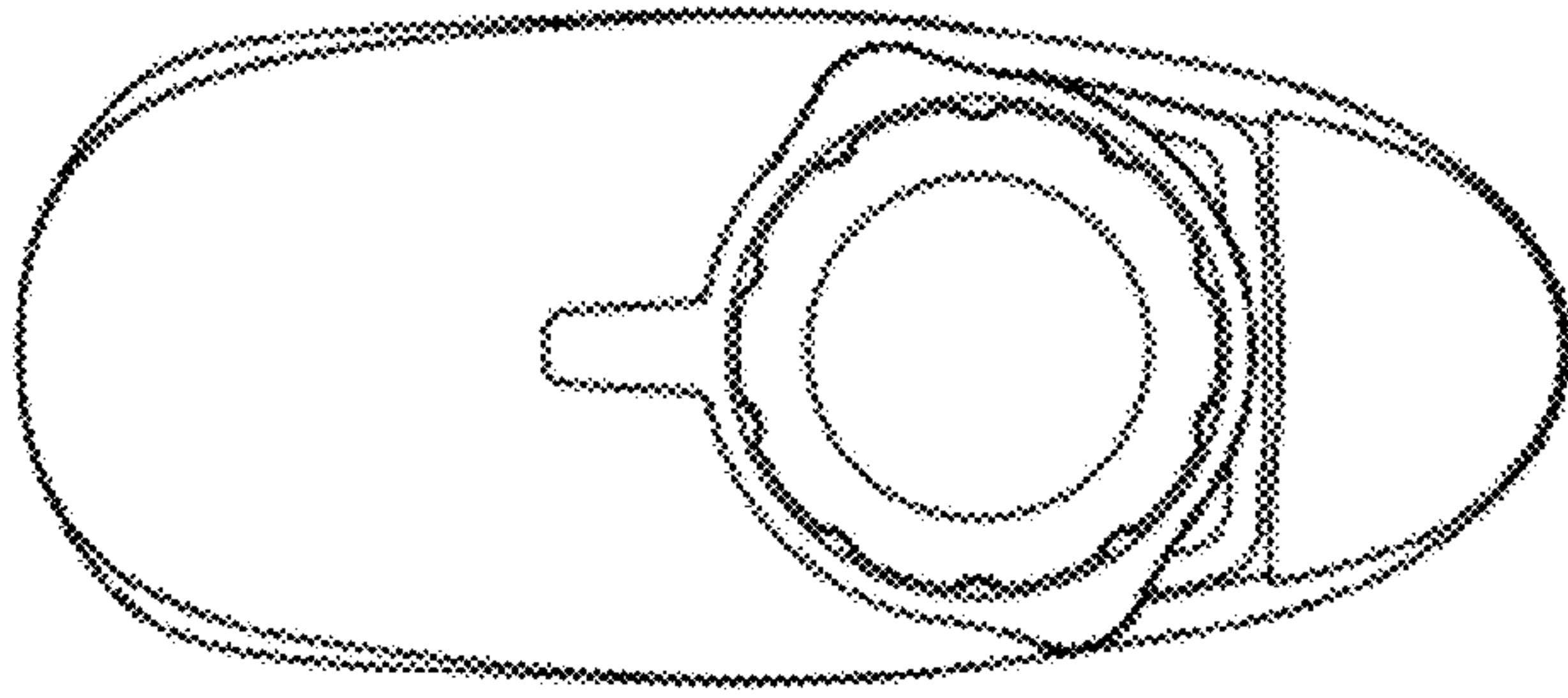


Fig. 5

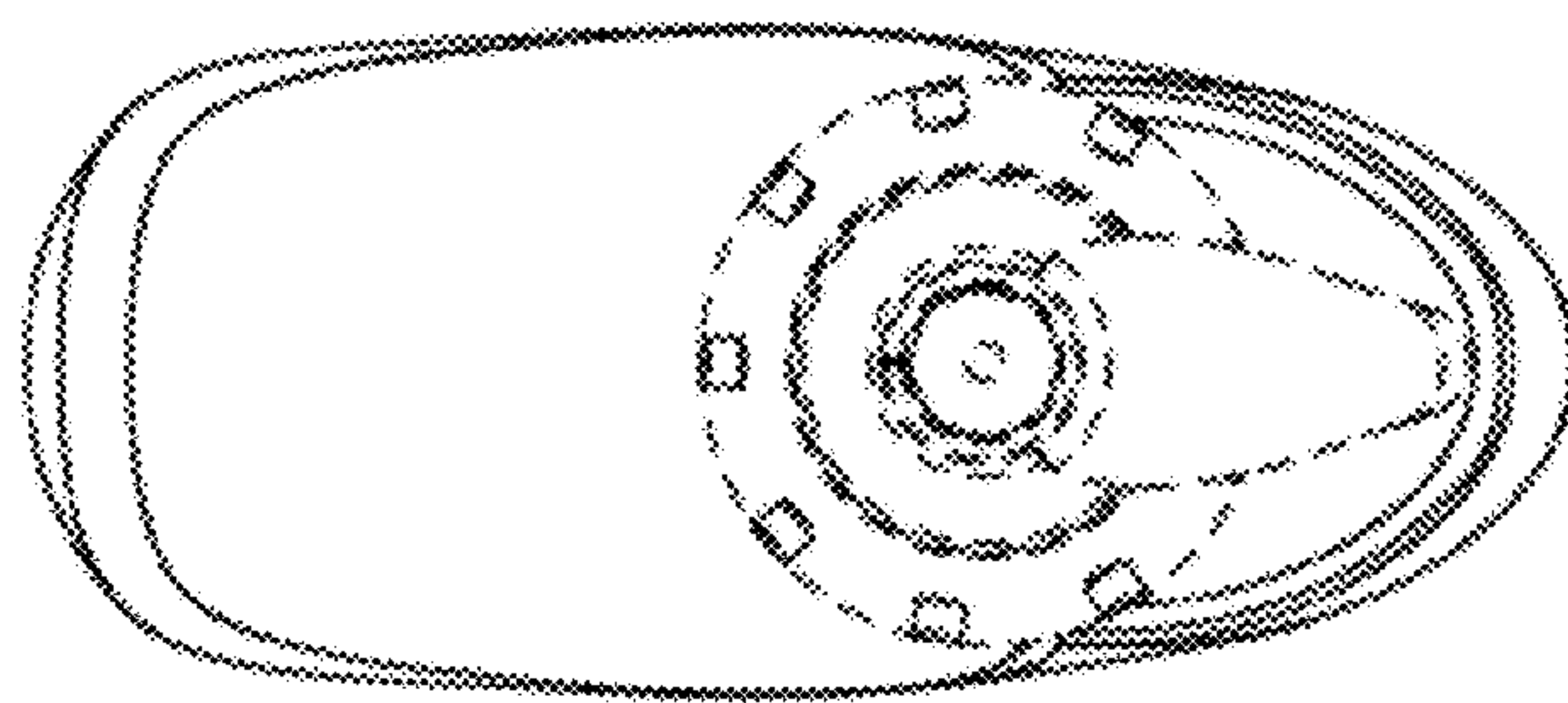


Fig. 6