

US00D672466S

(12) **United States Design Patent**
Kravitz et al.

(10) **Patent No.:** **US D672,466 S**

(45) **Date of Patent:** **** Dec. 11, 2012**

(54) **ORGAN TRANSPORTER**

(75) Inventors: **David Kravitz**, Barrington Hills, IL (US); **Aaron Randall Ferber**, Chicago, IL (US); **Ross Lockwood**, Chicago, IL (US); **Rodney Hal Monson**, Waukegan, IL (US); **Evan David Shapiro**, Chicago, IL (US)

(73) Assignee: **Lifeline Scientific, Inc.**, Itasca, IL (US)

(**) Term: **14 Years**

(21) Appl. No.: **29/390,871**

(22) Filed: **Apr. 29, 2011**

(51) **LOC (9) Cl.** **24-01**

(52) **U.S. Cl.** **D24/216**

(58) **Field of Classification Search** D24/216, D24/217, 219, 231, 232, 107, 186; D34/19; D99/1, 2, 6; D15/81, 83; 62/78, 457.1, 457.2, 62/457.9; 435/1.1, 1.2, 1.3, 284.1

See application file for complete search history.

(56) **References Cited**

U.S. PATENT DOCUMENTS

D356,420 S * 3/1995 Etzel et al. D99/1
D468,436 S * 1/2003 Brassil et al. D24/216

D470,594 S * 2/2003 Brassil et al. D24/216
D521,029 S * 5/2006 Resch D15/83
D531,320 S * 10/2006 Garland et al. D24/216
D642,697 S * 8/2011 Gafvert D24/216
2010/0304352 A1* 12/2010 Patrick et al. 435/1.2

* cited by examiner

Primary Examiner — Anhdao Doan

(74) *Attorney, Agent, or Firm* — Oliff & Berridge, PLC

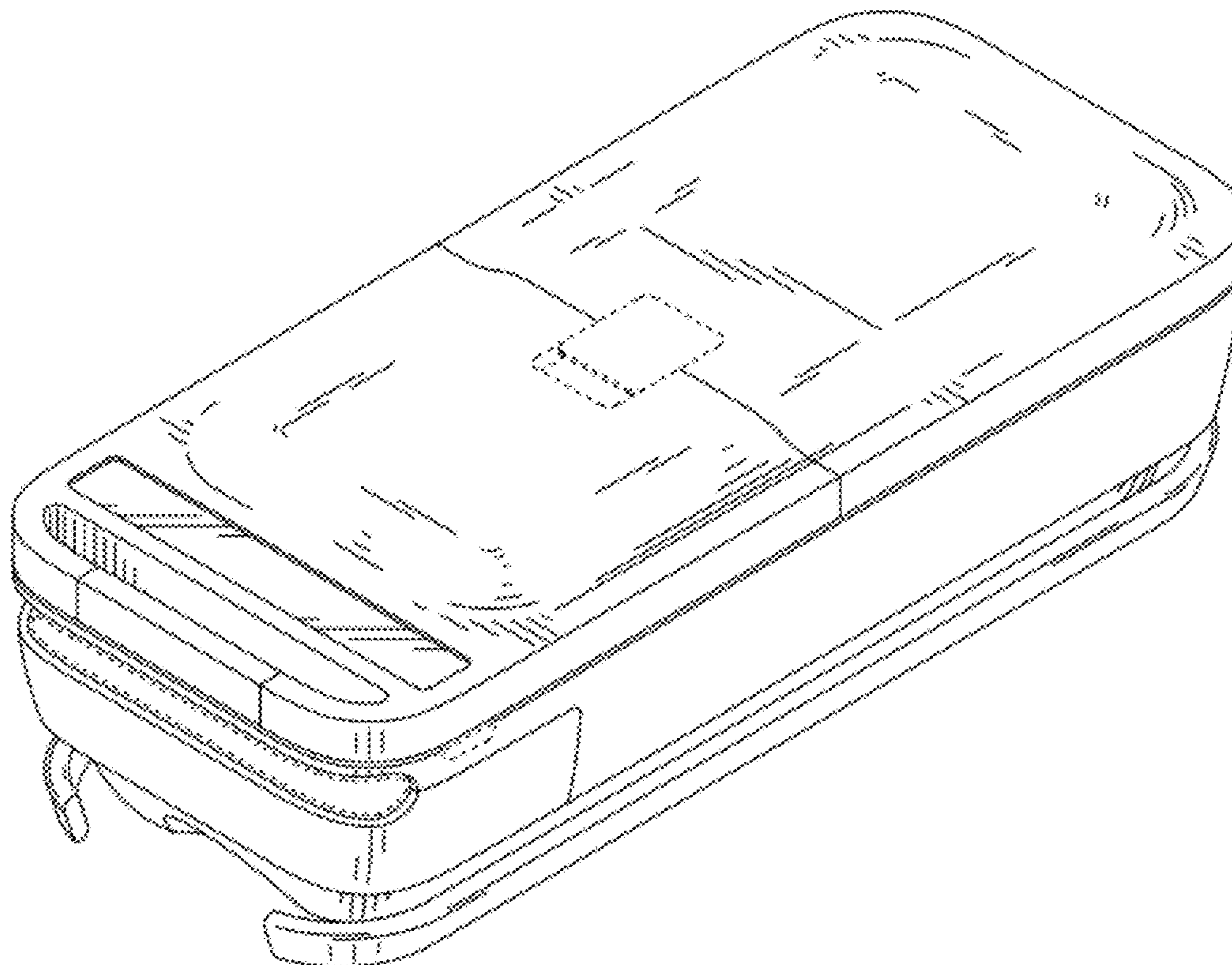
(57) **CLAIM**

The ornamental design for an organ transporter, as shown and described.

DESCRIPTION

FIG. 1 is a perspective view of an organ transporter;
FIG. 2 is a front view thereof;
FIG. 3 is a top view thereof;
FIG. 4 is a right-side view thereof, the left-side view being a mirror image of the right-side view;
FIG. 5 is a rear view thereof;
FIG. 6 is a bottom view thereof; and,
FIG. 7 is another perspective view thereof.
The broken lines in the drawing views are included for the purpose of illustrating portions of the organ transporter that form no part of the claimed design.

1 Claim, 7 Drawing Sheets



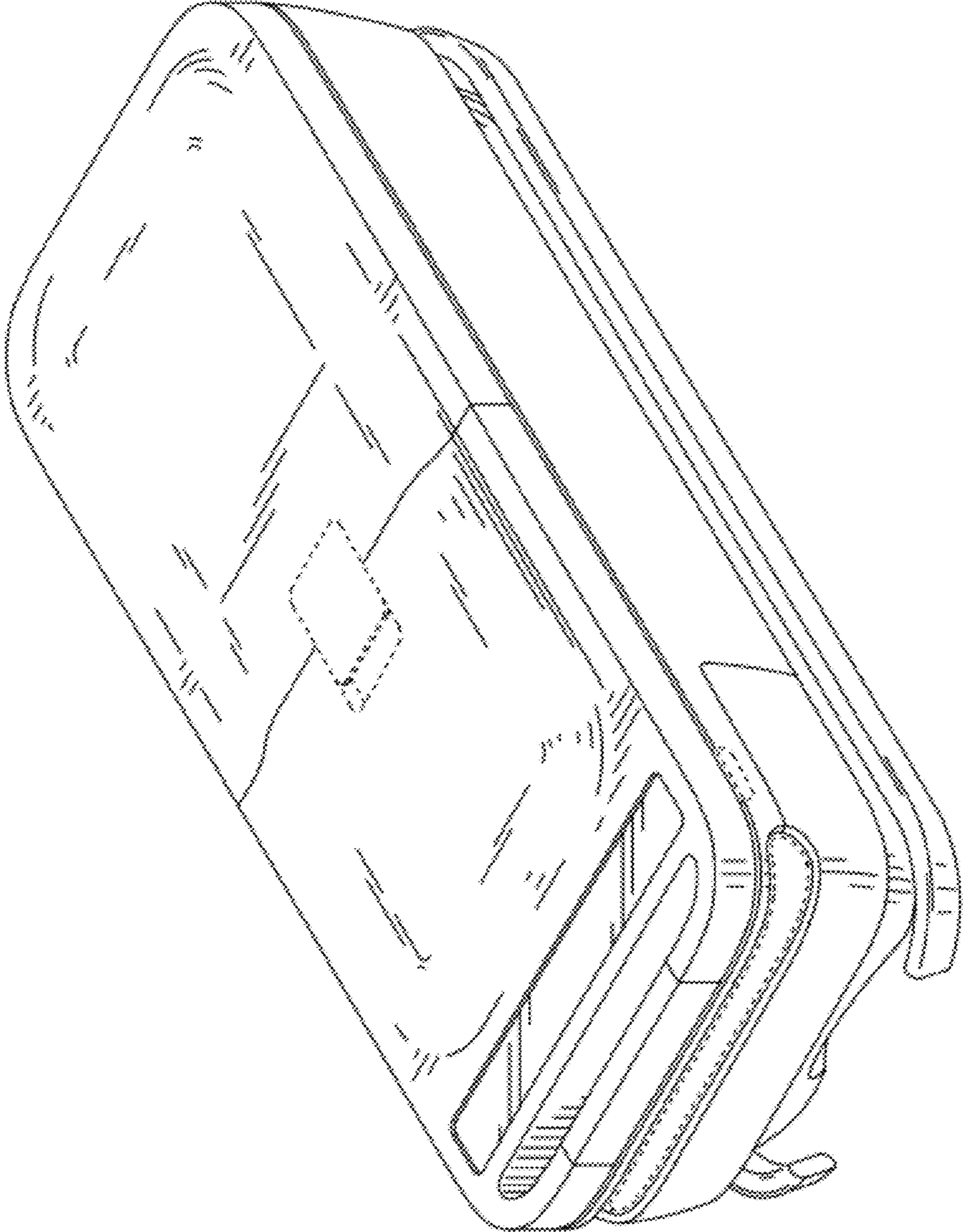


FIG. 1

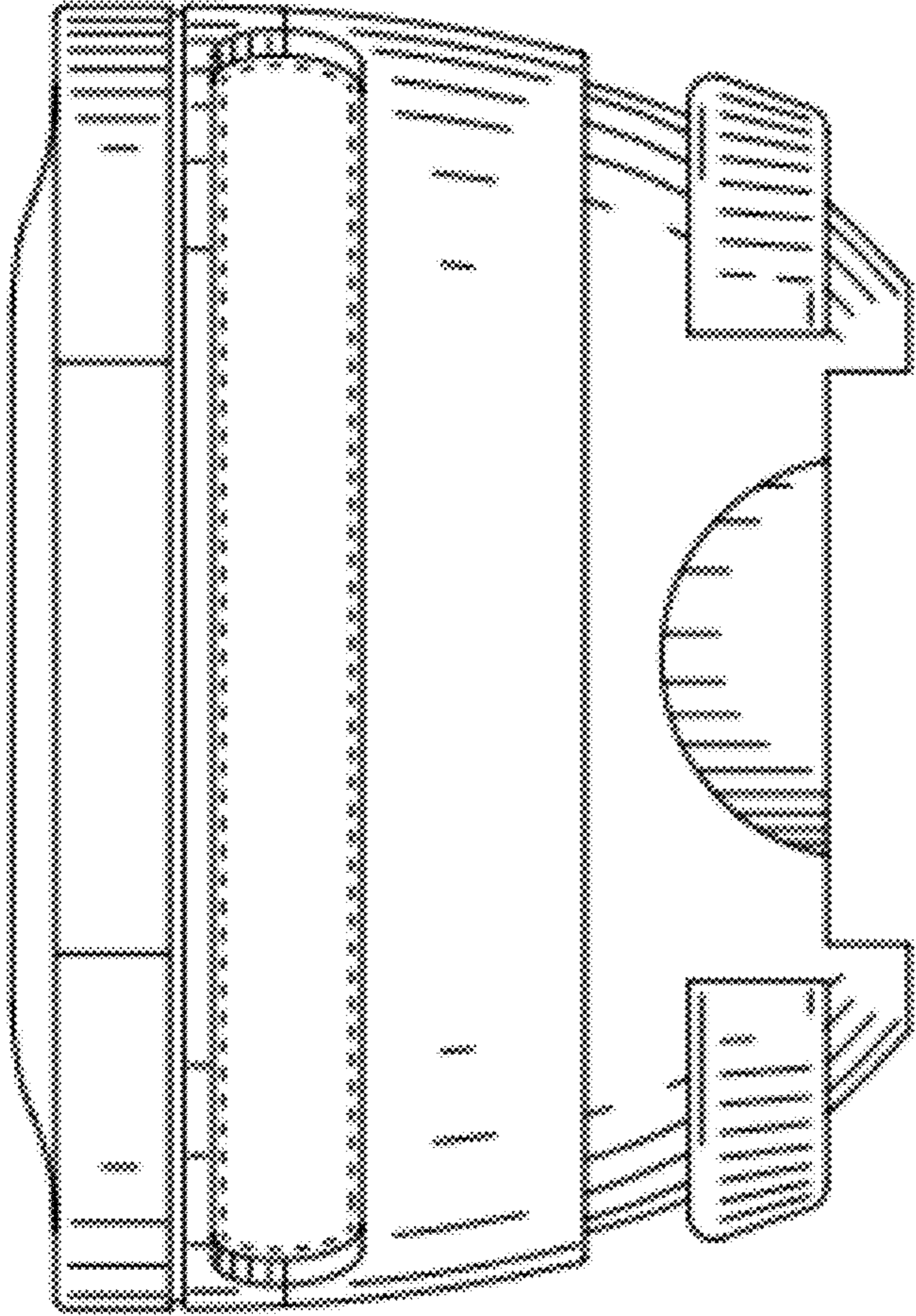


FIG. 2

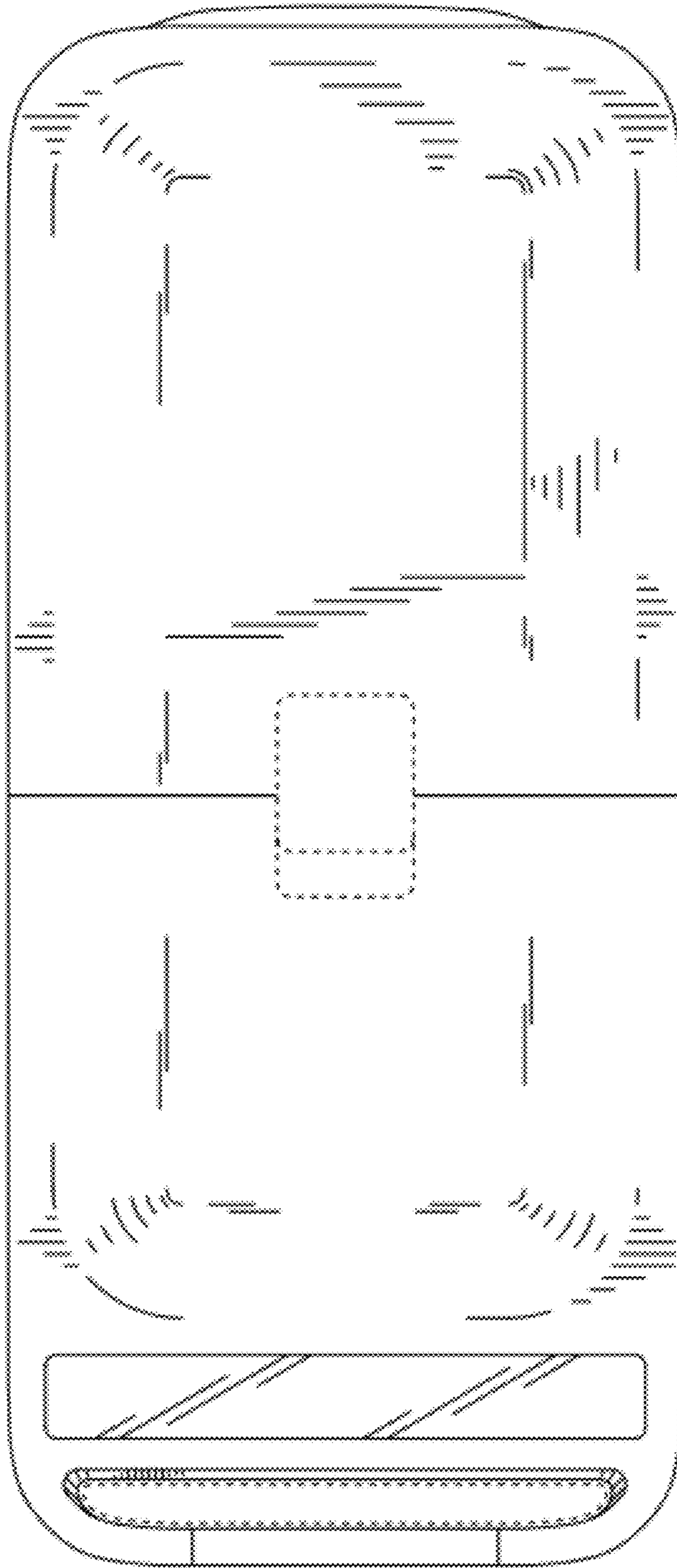


FIG. 3

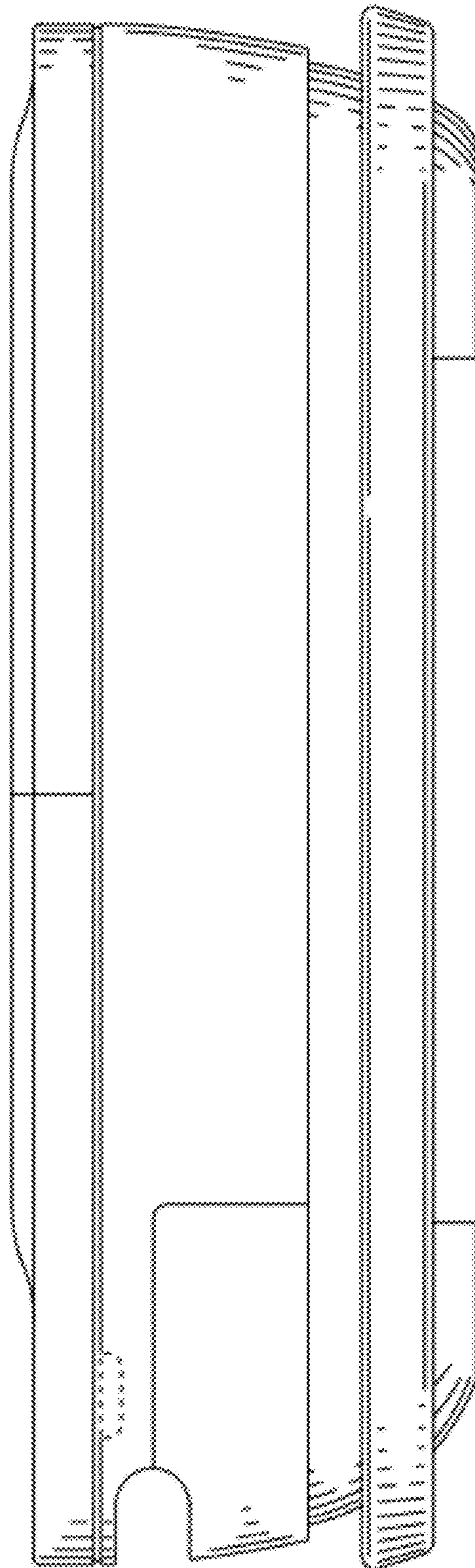


FIG. 4

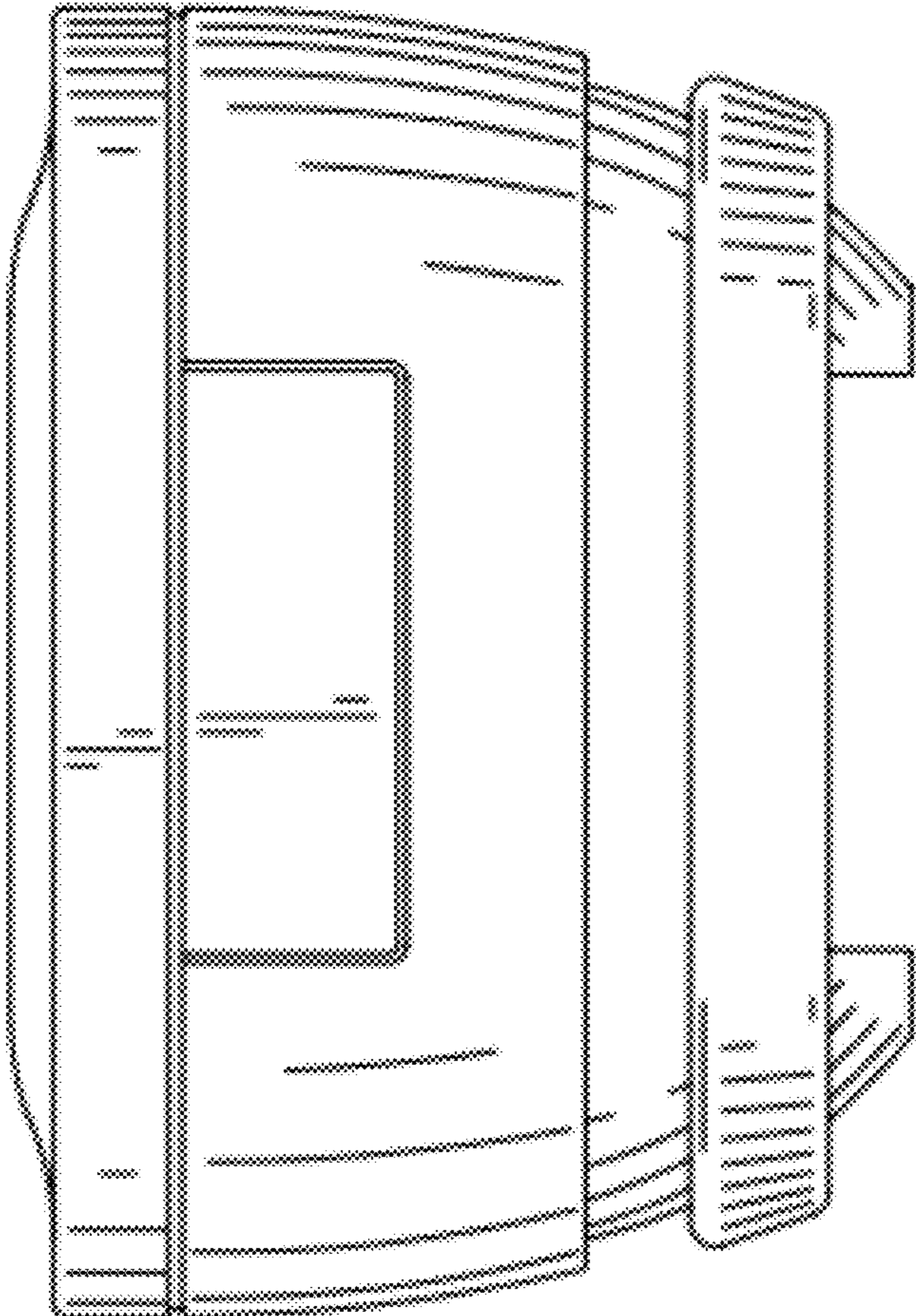


FIG. 5

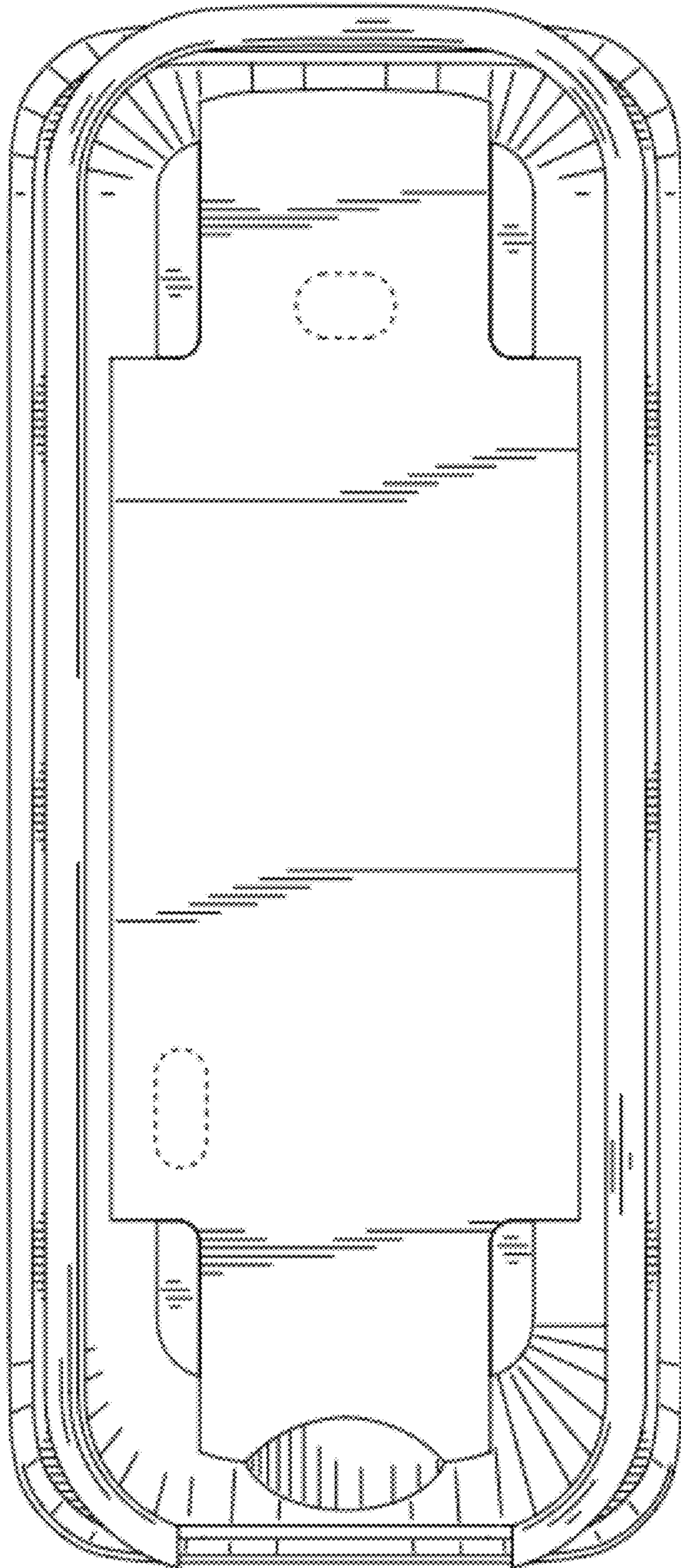


FIG. 6

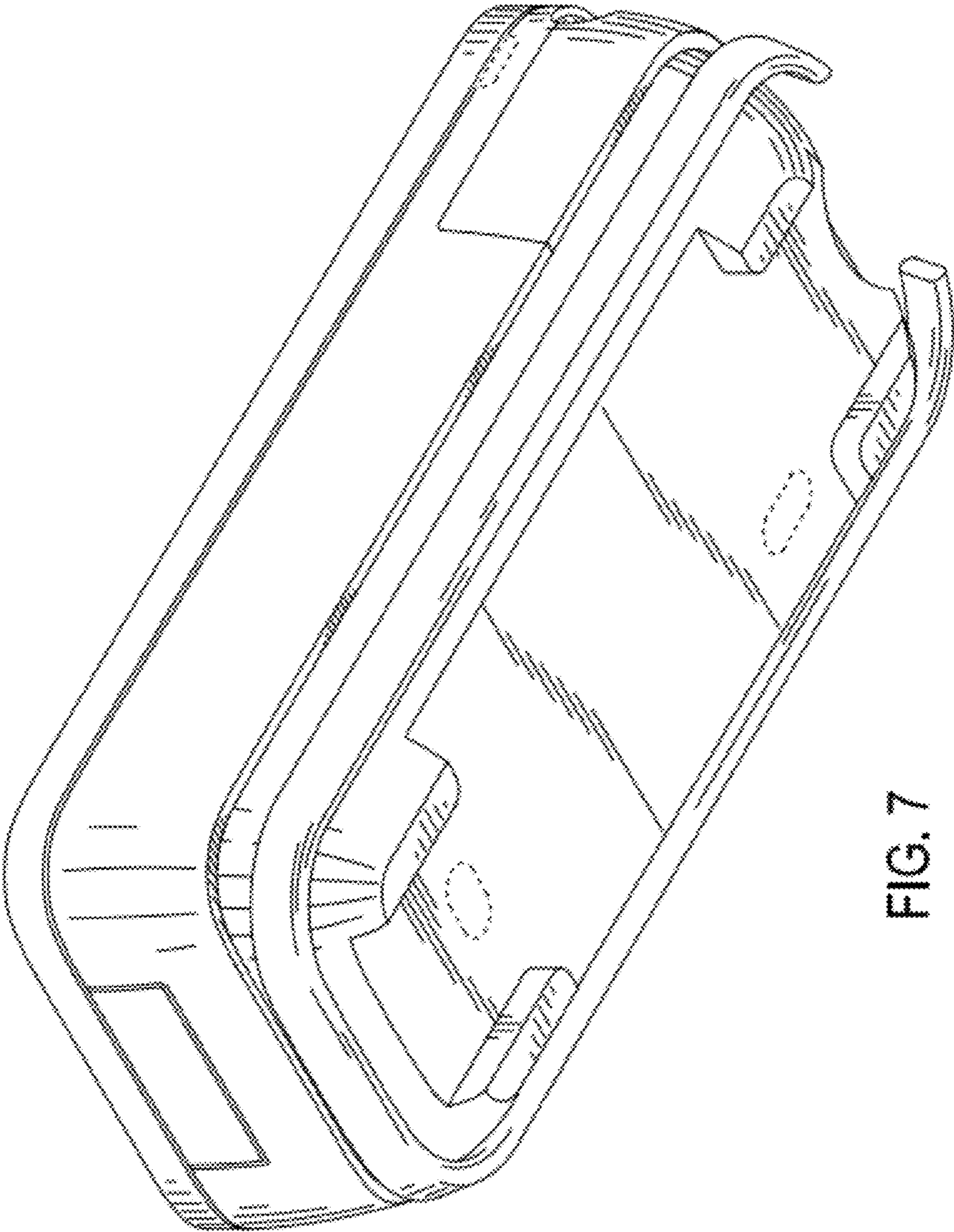


FIG. 7