



US00D672465S

(12) **United States Design Patent**
Sherman

(10) **Patent No.:** **US D672,465 S**

(45) **Date of Patent:** **** Dec. 11, 2012**

(54) **BEAD-SHAPED CONTAINER**

(76) **Inventor:** **Constance Jane Sherman**, New York,
NY (US)

(**) **Term:** **14 Years**

(21) **Appl. No.:** **29/405,602**

(22) **Filed:** **Nov. 3, 2011**

(51) **LOC (9) Cl.** **24-04**

(52) **U.S. Cl.** **D24/207**

(58) **Field of Classification Search** D24/200,
D24/206-209, 211-215; D11/89-91, 1-6,
D11/11, 16, 40, 41, 43, 79, 80, 121; 63/1.11-14.1,
63/13, 15-15.4, 20, 22, 23, 26-33, 3; 607/96,
607/108, 109, 111, 112; D9/737, 757; 601/15,
601/DIG. 1, 113; D21/466, 479, 498, 713;
D3/302; 315/53; 428/11; D7/354
See application file for complete search history.

(56) **References Cited**

U.S. PATENT DOCUMENTS

2,784,512	A *	3/1957	Goodwin	D11/121
3,873,880	A *	3/1975	Riddell	315/53
D253,121	S *	10/1979	Hida	D21/498
4,173,667	A *	11/1979	Rusch	428/11
D264,364	S *	5/1982	Pazurek	D21/713
4,339,062	A *	7/1982	Witt, Jr.	224/148.4
4,889,748	A *	12/1989	Dudley	428/11
D324,106	S *	2/1992	Greenblatt	D24/200
D470,790	S *	2/2003	Schmidt	D11/11
D596,306	S *	7/2009	Levine	D24/214

D627,020	S *	11/2010	Martin	D21/713
8,082,753	B1 *	12/2011	Alvarez et al.	63/3
D661,540	S *	6/2012	Facey	D7/354

* cited by examiner

Primary Examiner — David Muller

(74) *Attorney, Agent, or Firm* — QuickPatents, Inc.; Kevin Prince

(57) **CLAIM**

I claim the ornamental design for a bead-shaped container, as shown and described.

DESCRIPTION

FIG. 1 is a perspective view of a bead-shaped container, showing my new design;

FIG. 2 is an enlarged left-side elevational view thereof, the right-side elevational view being a mirror image thereof;

FIG. 3 is a front elevational view of FIG. 2, the rear elevational view being a mirror image thereof;

FIG. 4 is a top plan view of FIG. 2, the bottom plan view being a mirror image thereof;

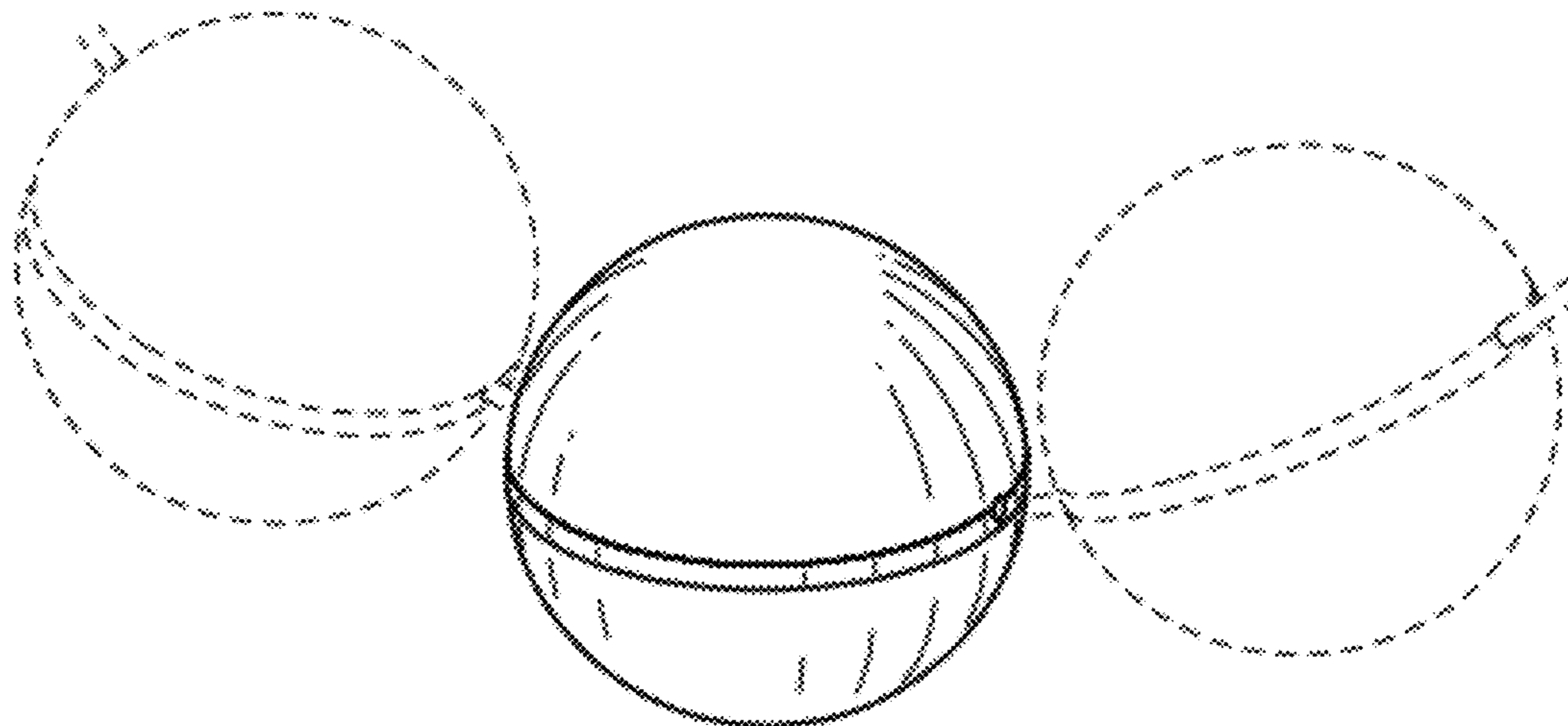
FIG. 5 is an exploded perspective view of FIG. 2;

FIG. 6 is a cross-sectional view thereof, taken generally along lines 6-6 of FIG. 2; and,

FIG. 7 is a cross-sectional view thereof, taken generally along lines 7-7 of FIG. 3.

The broken lines showing a necklace chain and adjacent bead-shaped containers in FIG. 1 depict environmental matter and form no part of the claimed design.

1 Claim, 3 Drawing Sheets



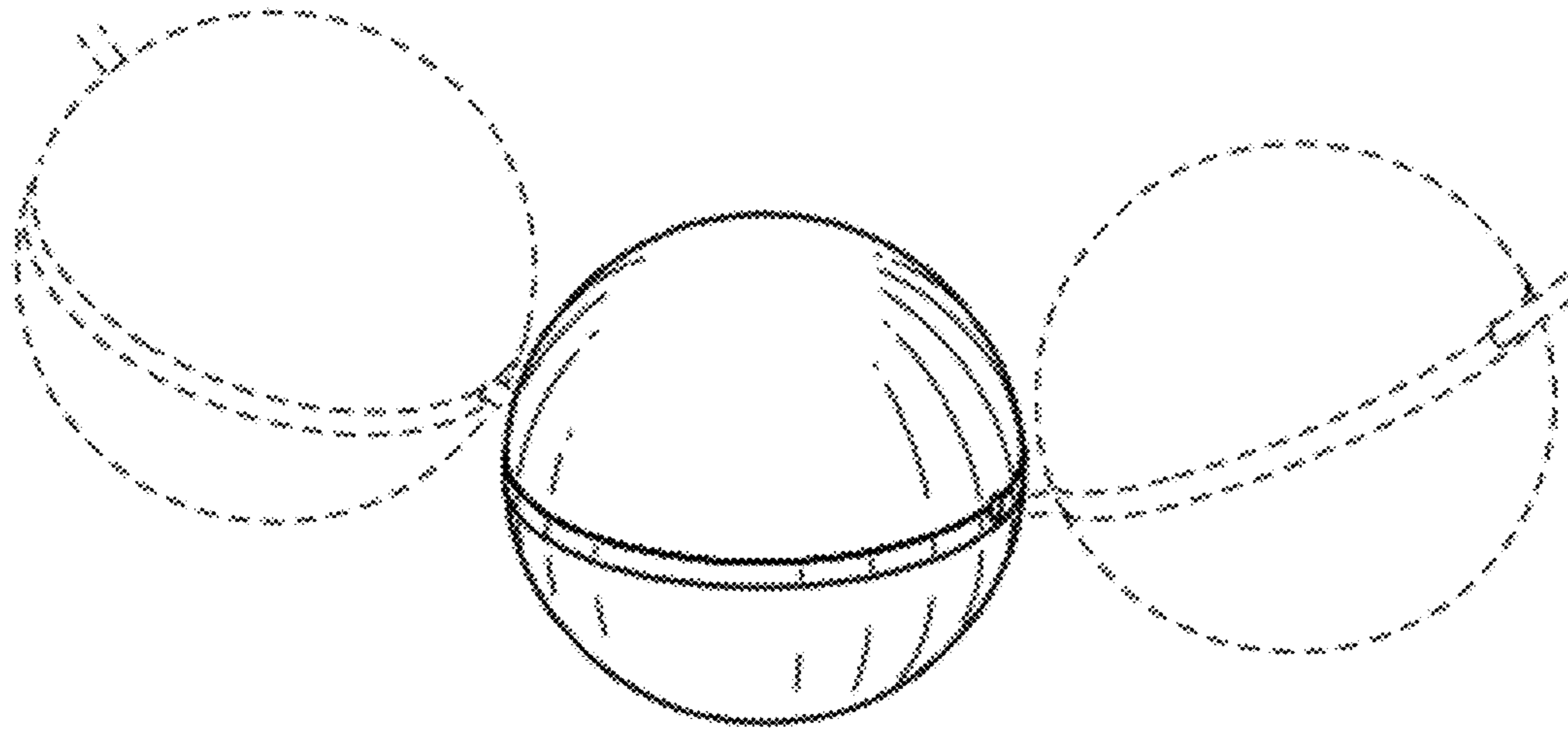


FIG. 1

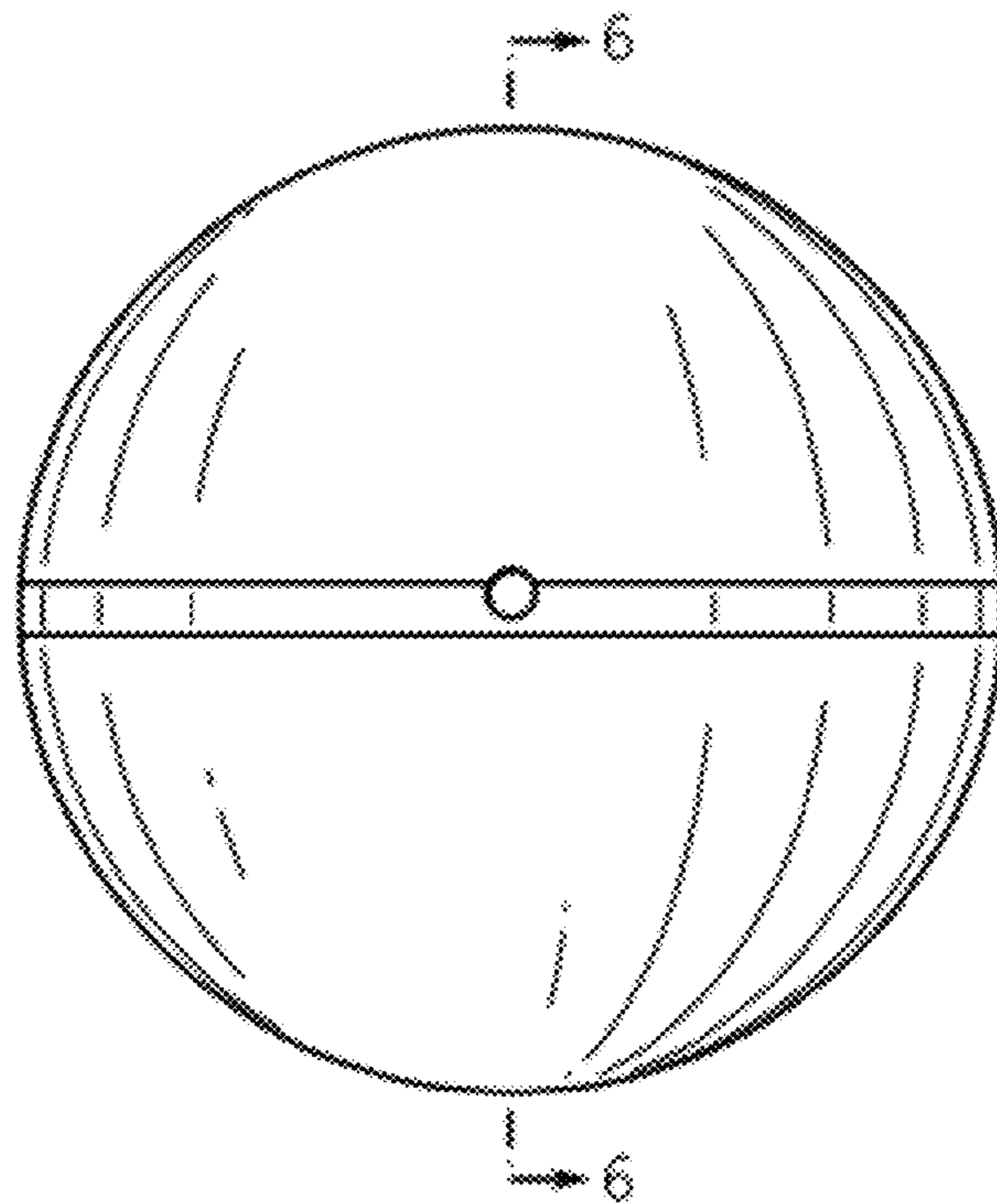


FIG. 2

