



US00D672463S

(12) **United States Design Patent**
Saad et al.

(10) **Patent No.:** **US D672,463 S**

(45) **Date of Patent:** **** Dec. 11, 2012**

(54) **RECTOSCOPE WITH A TUBE INSERT**

(75) Inventors: **Stefan Saad**, Cologne (DE); **Juergen Holz**, Stockach (DE); **Rainer Hermle**, Gosheim (DE)

(73) Assignee: **Karl Storz GmbH & Co. KG** (DE)

(**) Term: **14 Years**

(21) Appl. No.: **29/416,262**

(22) Filed: **Mar. 20, 2012**

(30) **Foreign Application Priority Data**

Sep. 20, 2011 (EM) 001920232-0005

Sep. 20, 2011 (EM) 001920232-0006

Sep. 20, 2011 (EM) 001920232-0007

(51) **LOC (9) Cl.** **24-02**

(52) **U.S. Cl.** **D24/138**

(58) **Field of Classification Search** D24/133,
D24/137, 138, 140; 600/101-183, 201-246;
606/197

See application file for complete search history.

(56) **References Cited**

U.S. PATENT DOCUMENTS

5,505,690 A * 4/1996 Patton et al. 600/210

6,245,011 B1 * 6/2001 Dudda et al. 600/104

D605,765 S * 12/2009 Gaab D24/146

D631,963 S * 2/2011 Efinger et al. D24/137

7,967,746 B2 * 6/2011 Leroy et al. 600/182

D660,426 S * 5/2012 Hermle D24/138

2003/0191371 A1 * 10/2003 Smith et al. 600/210

2004/0176665 A1 * 9/2004 Branch et al. 600/210

2008/0275306 A1 * 11/2008 Rebuffat et al. 600/184

2009/0112161 A1 * 4/2009 Maerten et al. 604/131

OTHER PUBLICATIONS

Storz—Karl Storz Endoskope; “Instrumentarium Für Transanale Endoskopische Operationen (TEO®)”; Karl Storz GmbH & Co. KG; Jul. 2011; pp. 1-4.

Dr. Kevin KK Yau; “Trananal Endoscopic Operation (TEO)”; The Hong Kong Medical Diary; vol. 14, No. 7.; Jul. 2009; pp. 13-16.

* cited by examiner

Primary Examiner — Bridget L Eland

(74) *Attorney, Agent, or Firm* — St. Onge Steward Johnston & Reens LLC

(57) **CLAIM**

The ornamental design for an rectoscope with a tube insert, as shown and described.

DESCRIPTION

FIG. 1 is a front left side isometric view of a rectoscope with a tube insert in accordance with the new design;

FIG. 2 is a left side elevation view thereof;

FIG. 3 is a right side elevation view thereof;

FIG. 4 is a top plan view thereof;

FIG. 5 is a bottom plan view thereof;

FIG. 6 is a front elevation view thereof;

FIG. 7 is a rear elevation view thereof;

FIG. 8 is a front left side isometric view of the rectoscope with a tube insert of FIG. 1, with the distal attachment piece omitted in order to show aspects of the design that are not shown in the alternate views;

FIG. 9 is a left side elevation view thereof;

FIG. 10 is a right side elevation view thereof;

FIG. 11 is a top plan view thereof;

FIG. 12 is a bottom plan view thereof;

FIG. 13 is a rear elevation view thereof;

FIG. 14 is a front elevation view thereof;

FIG. 15 is a front left side isometric view of the rectoscope with a tube insert of FIG. 1, with the proximal handle piece omitted in order to show aspects of the design that are not shown in the alternate views;

FIG. 16 is a left side elevation view thereof;

FIG. 17 is a right side elevation view thereof;

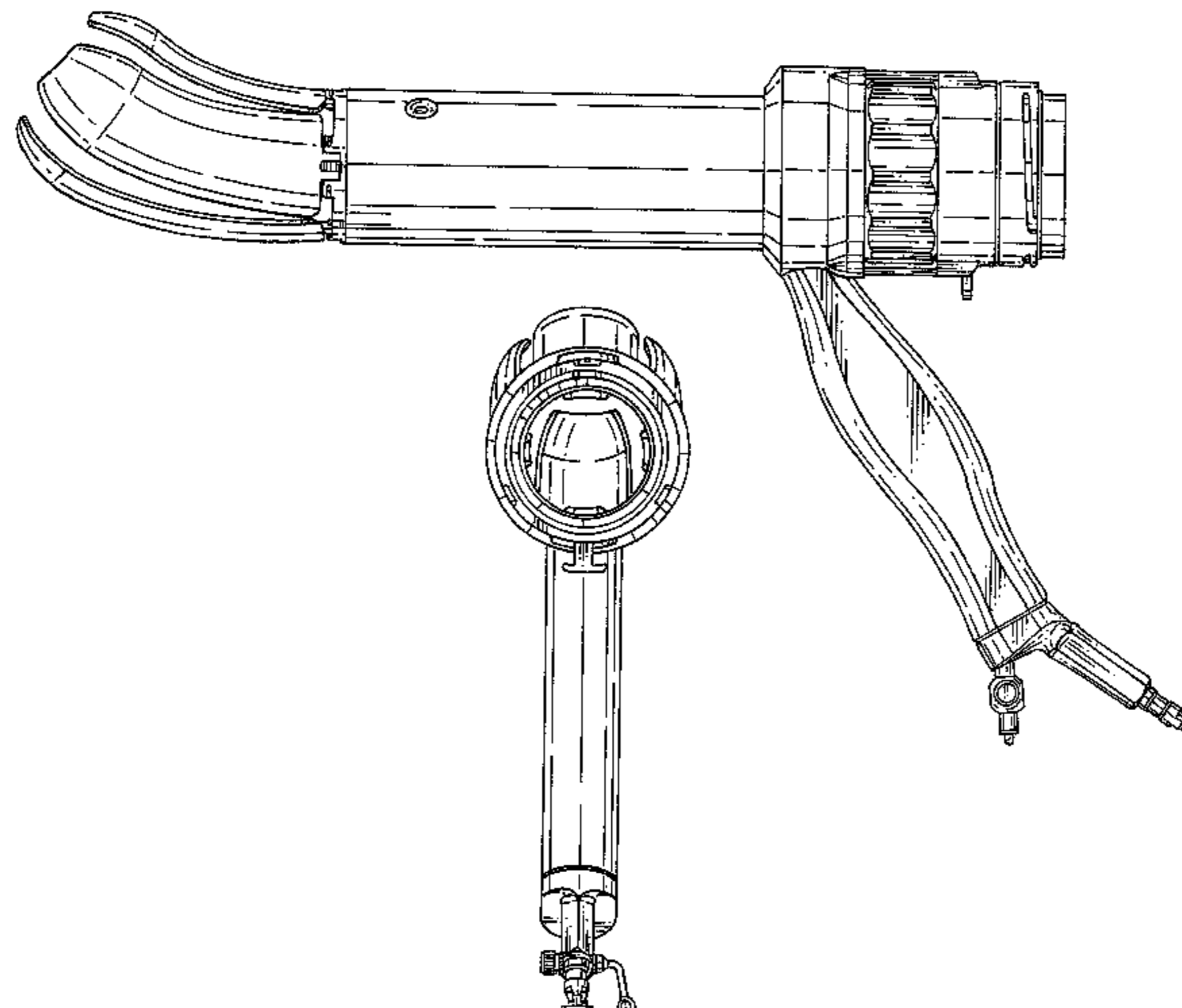
FIG. 18 is a top plan view thereof;

FIG. 19 is a bottom plan view thereof;

FIG. 20 is a front elevation view thereof; and,

FIG. 21 is a rear elevation view thereof.

1 Claim, 20 Drawing Sheets



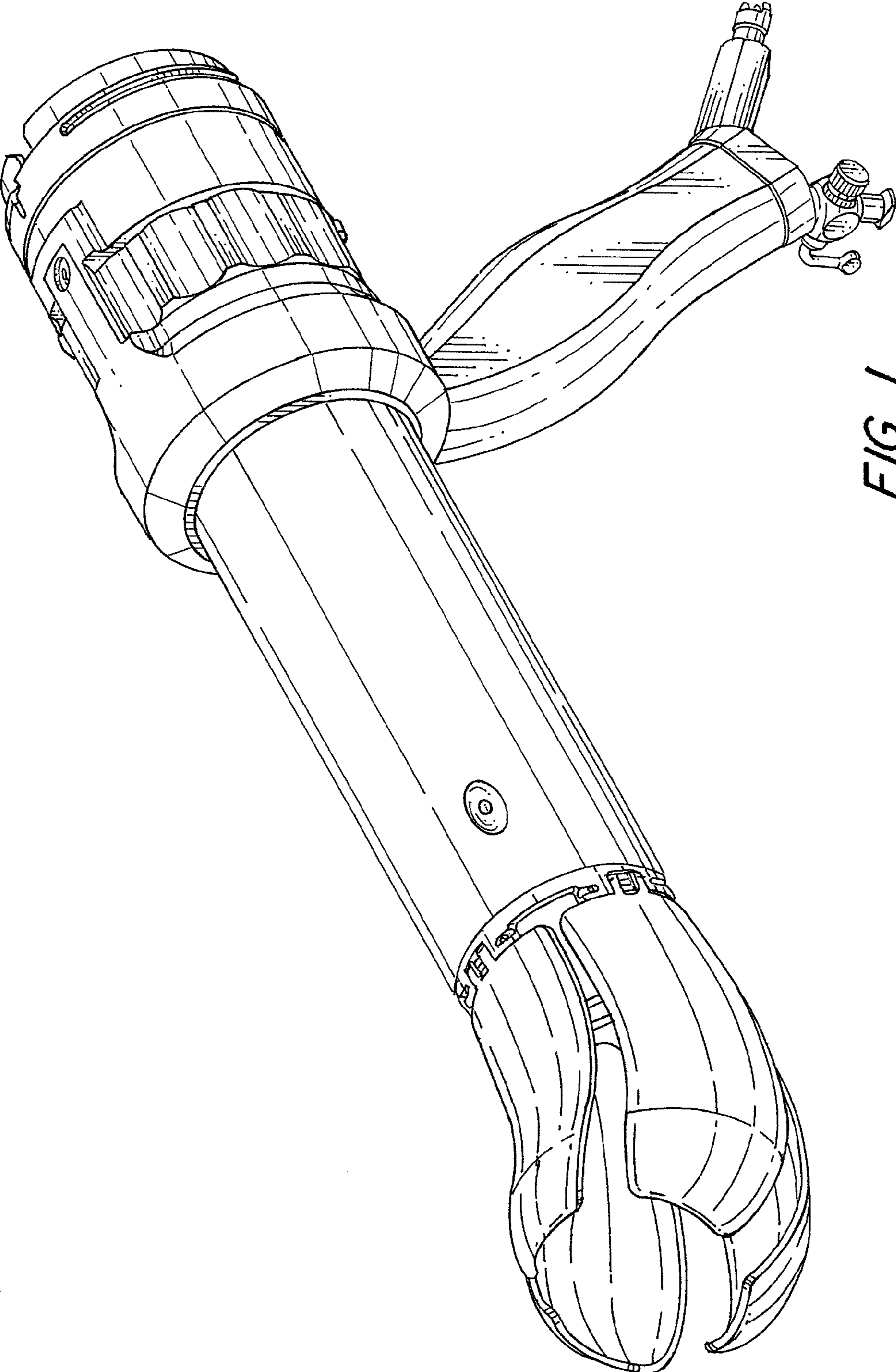


FIG. 1

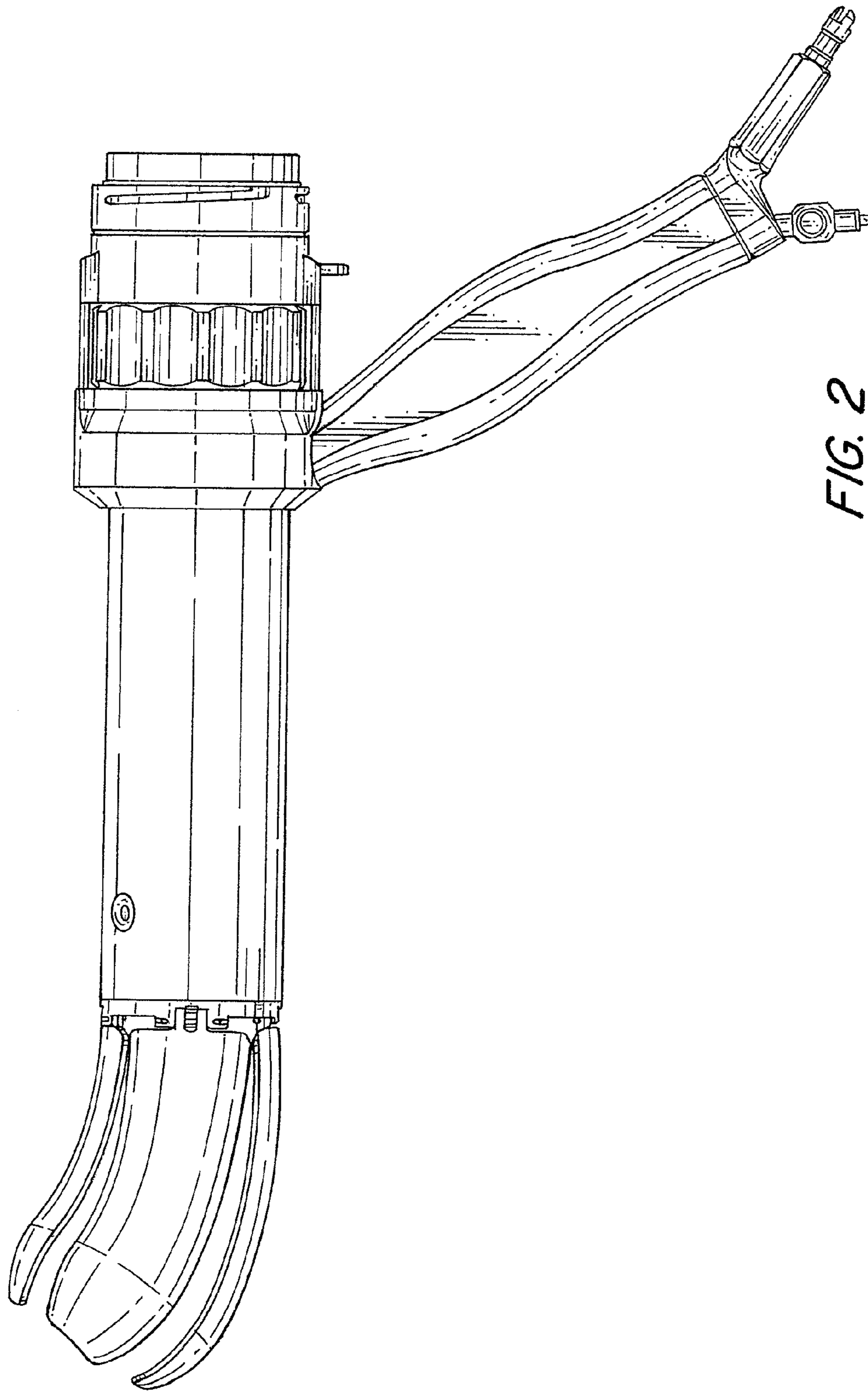


FIG. 2

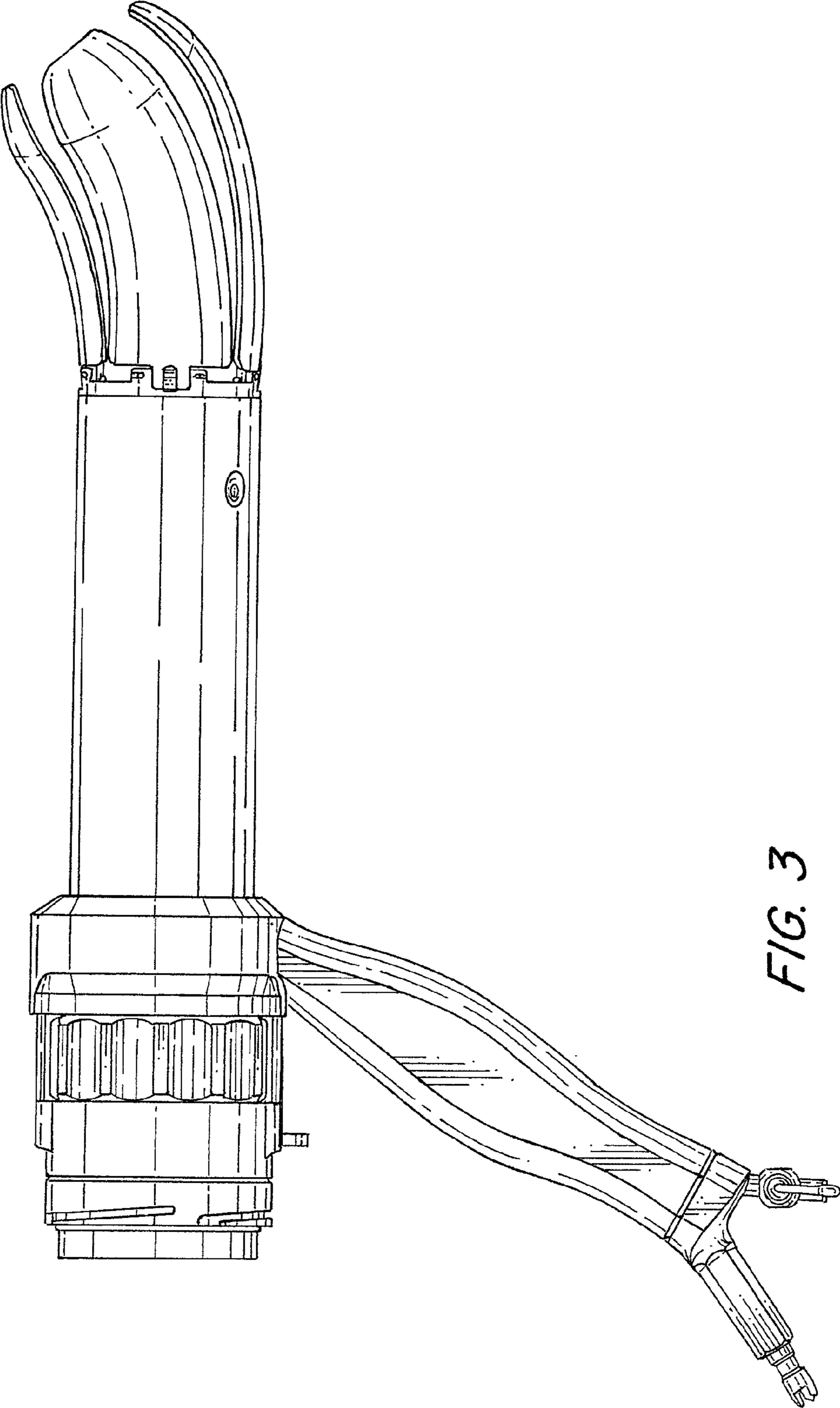


FIG. 3

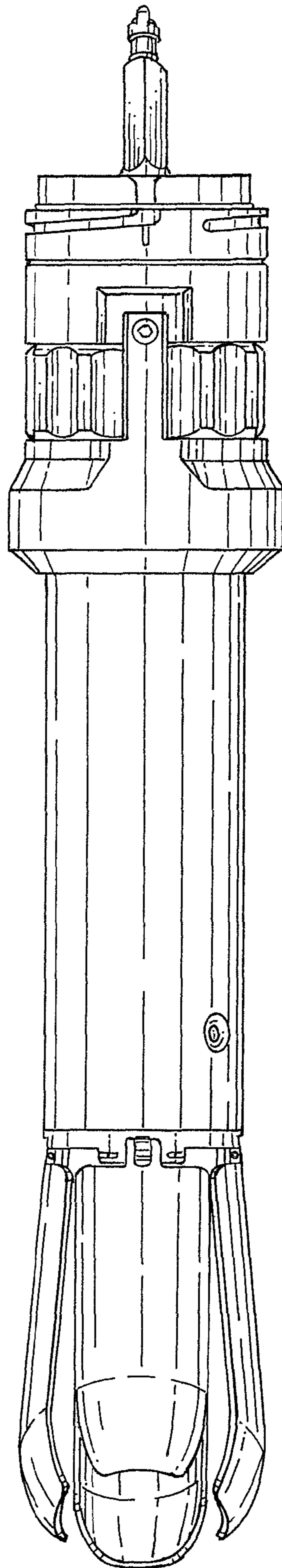


FIG. 4

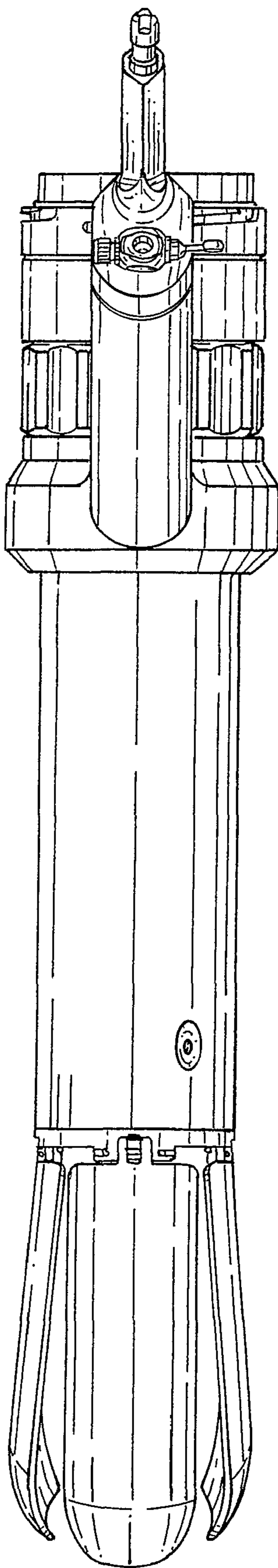


FIG. 5

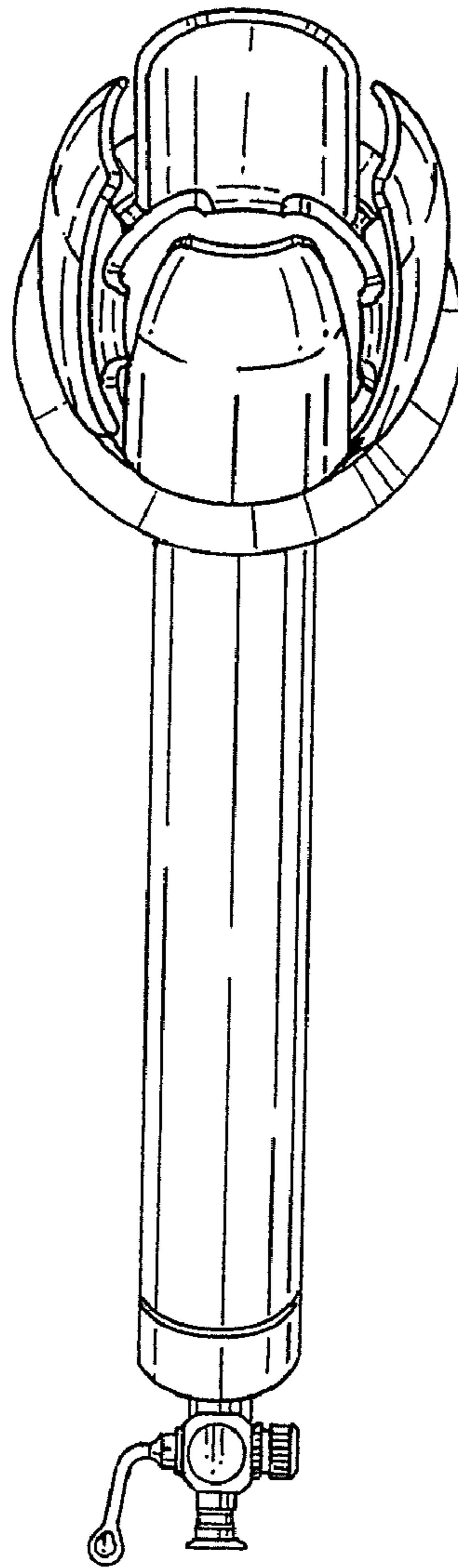


FIG. 6

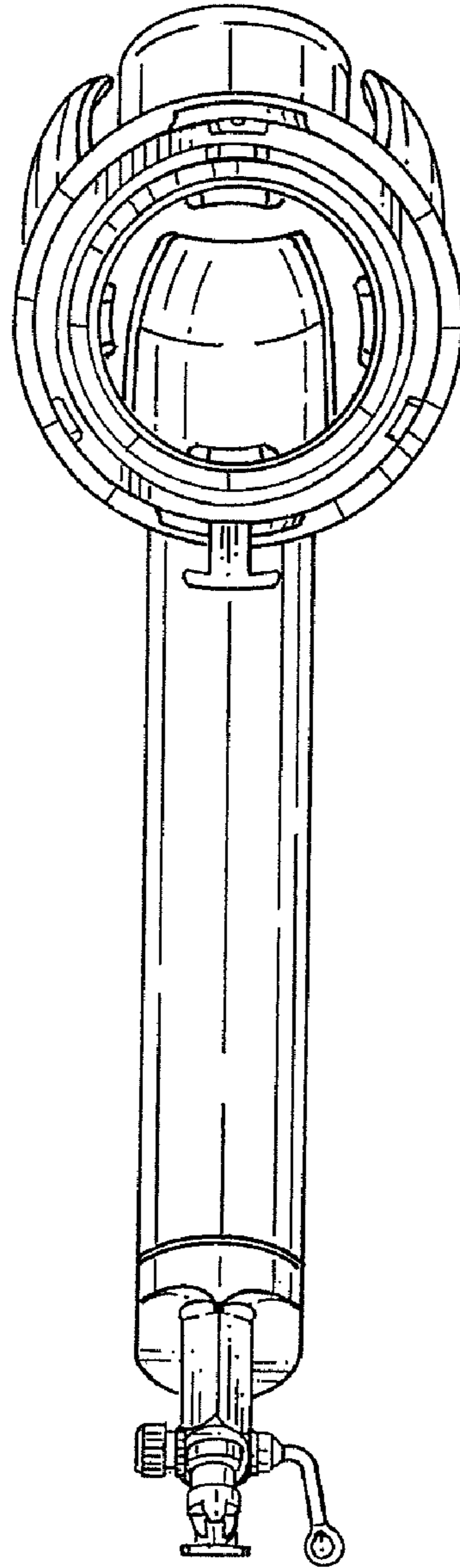


FIG. 7

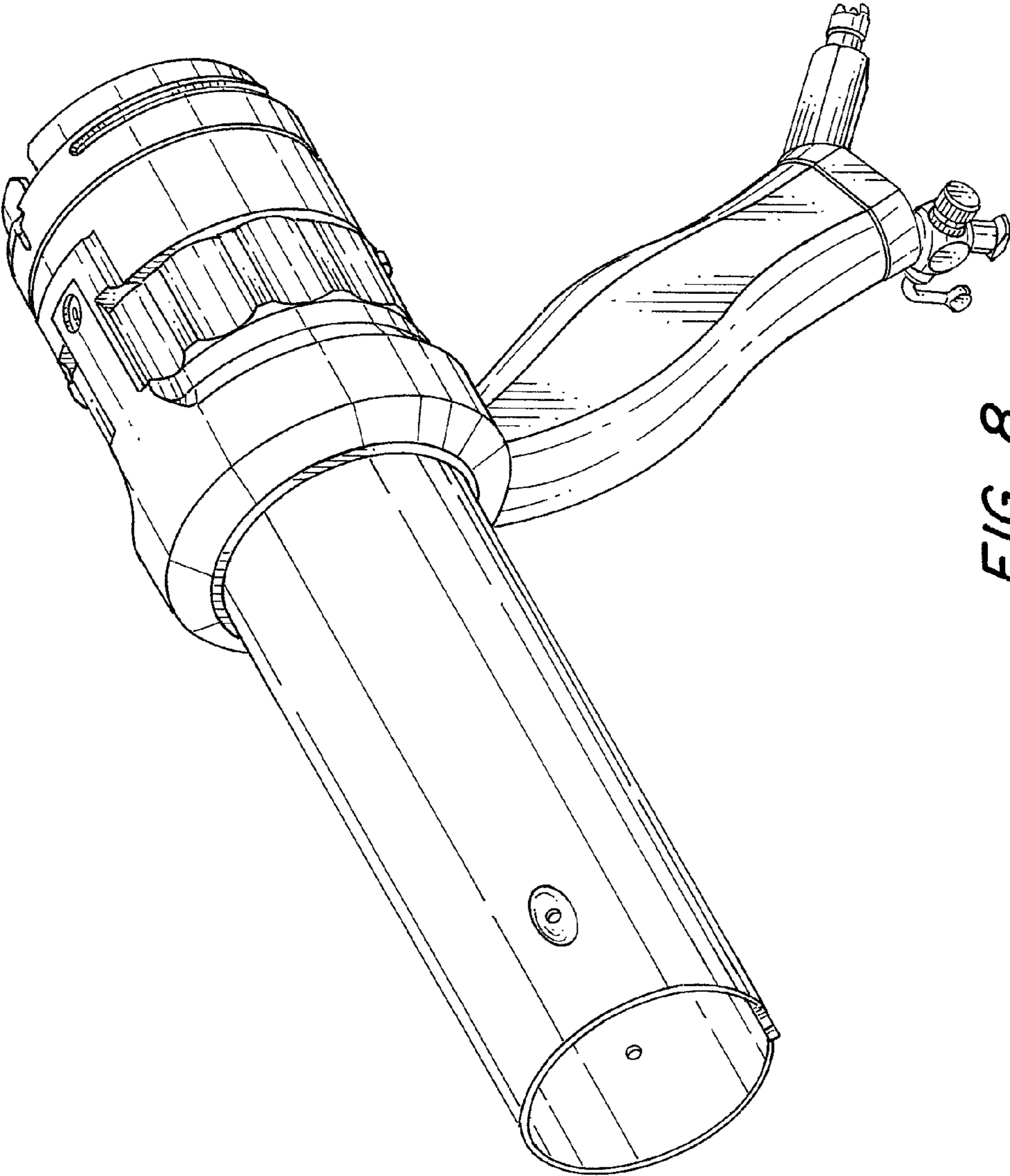


FIG. 8

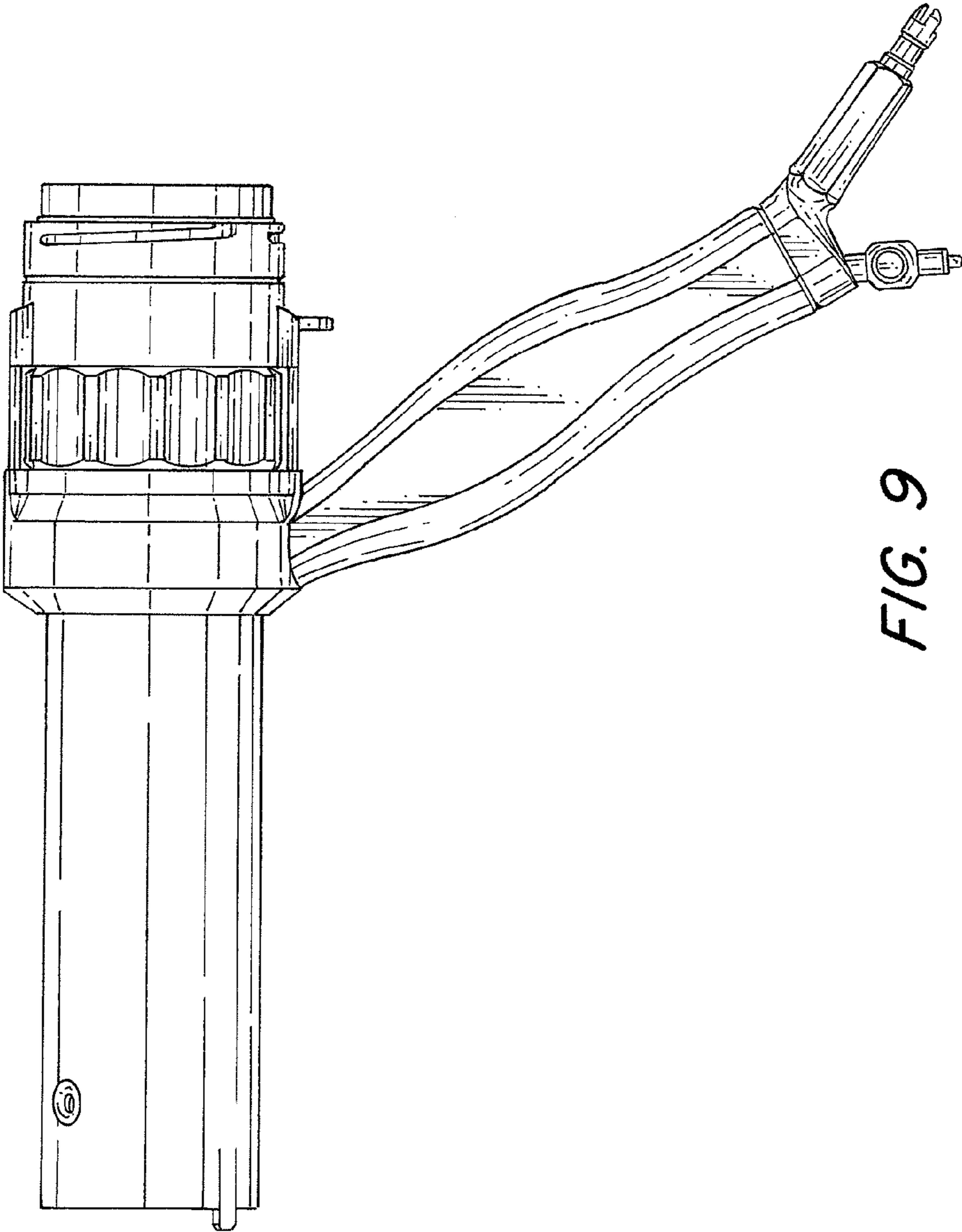


FIG. 9

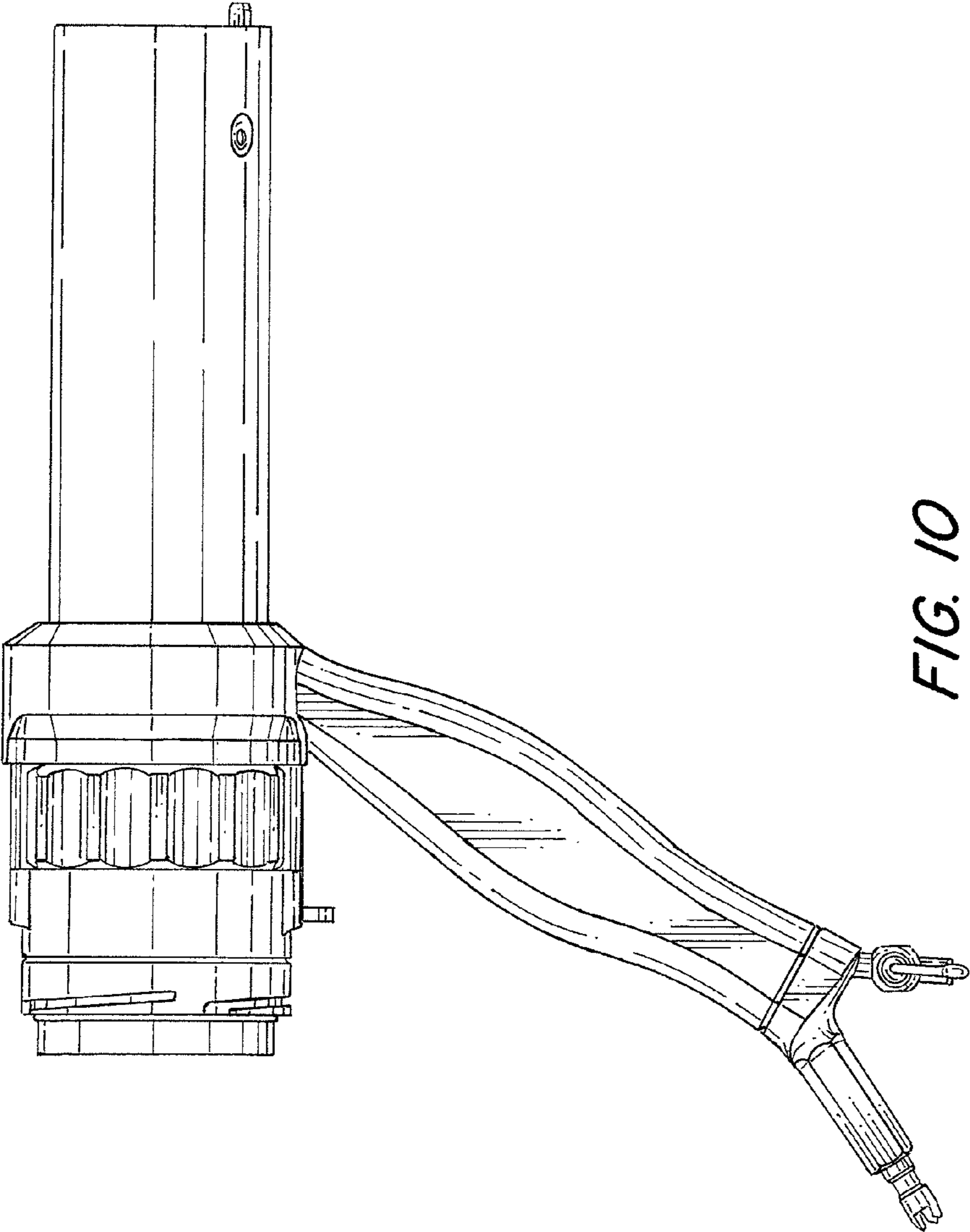


FIG. 10

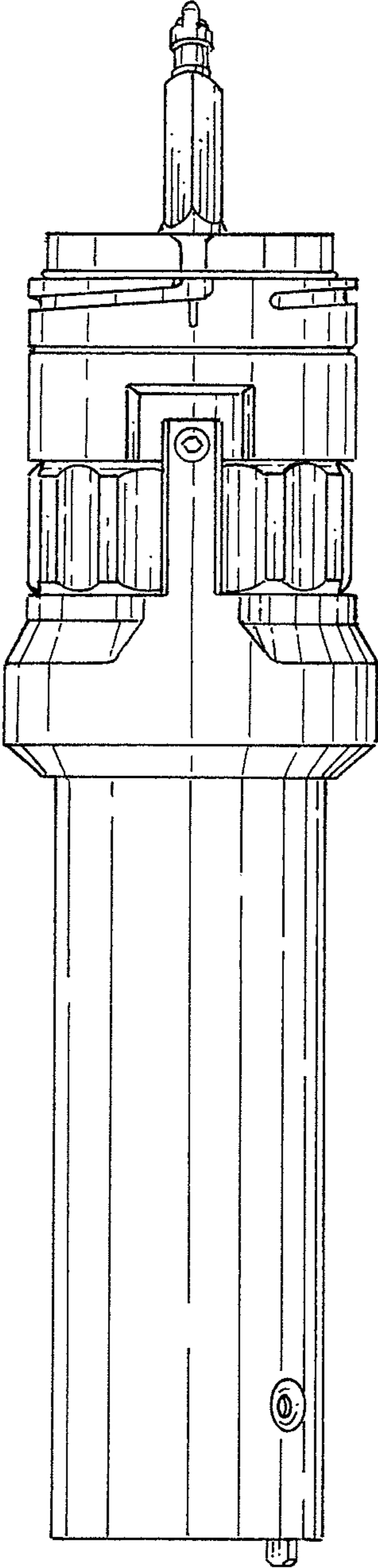


FIG. 11

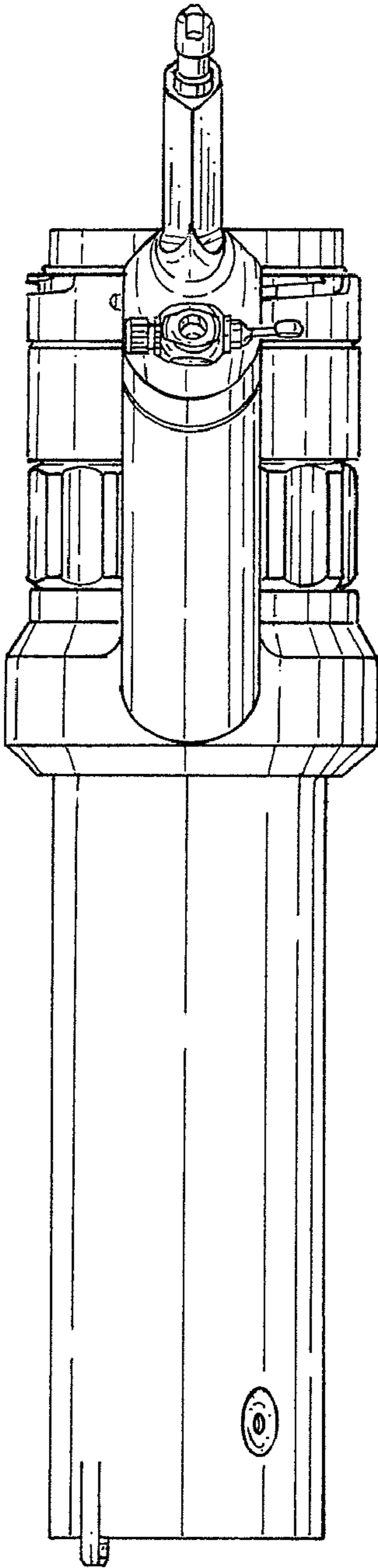


FIG. 12

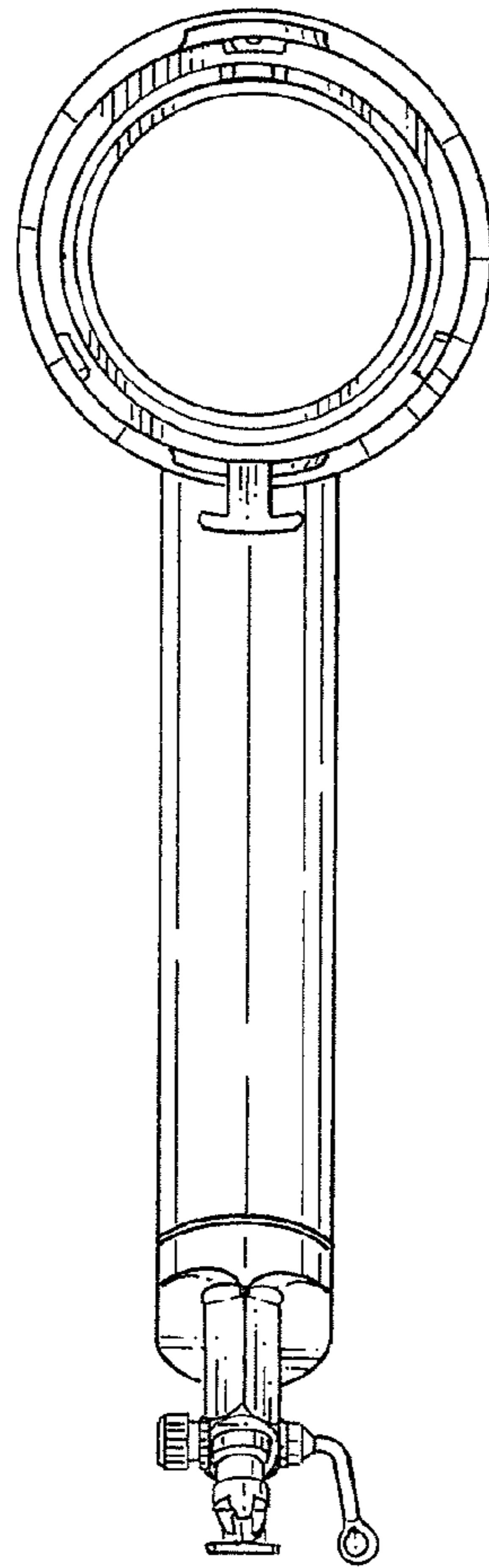


FIG. 13

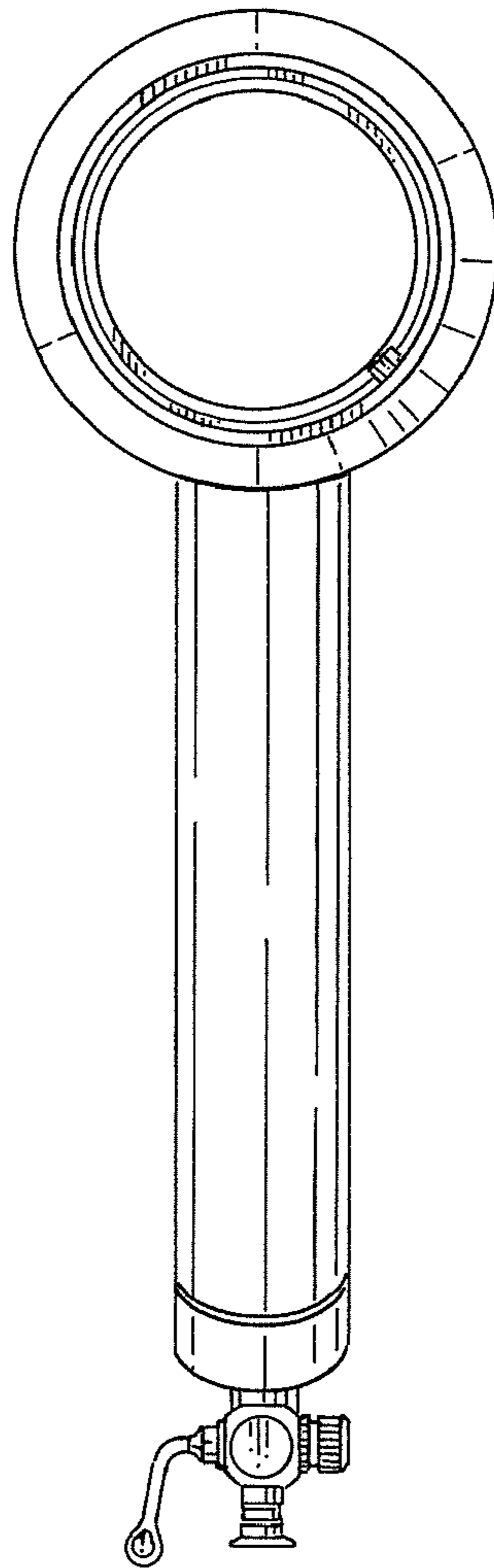


FIG. 14

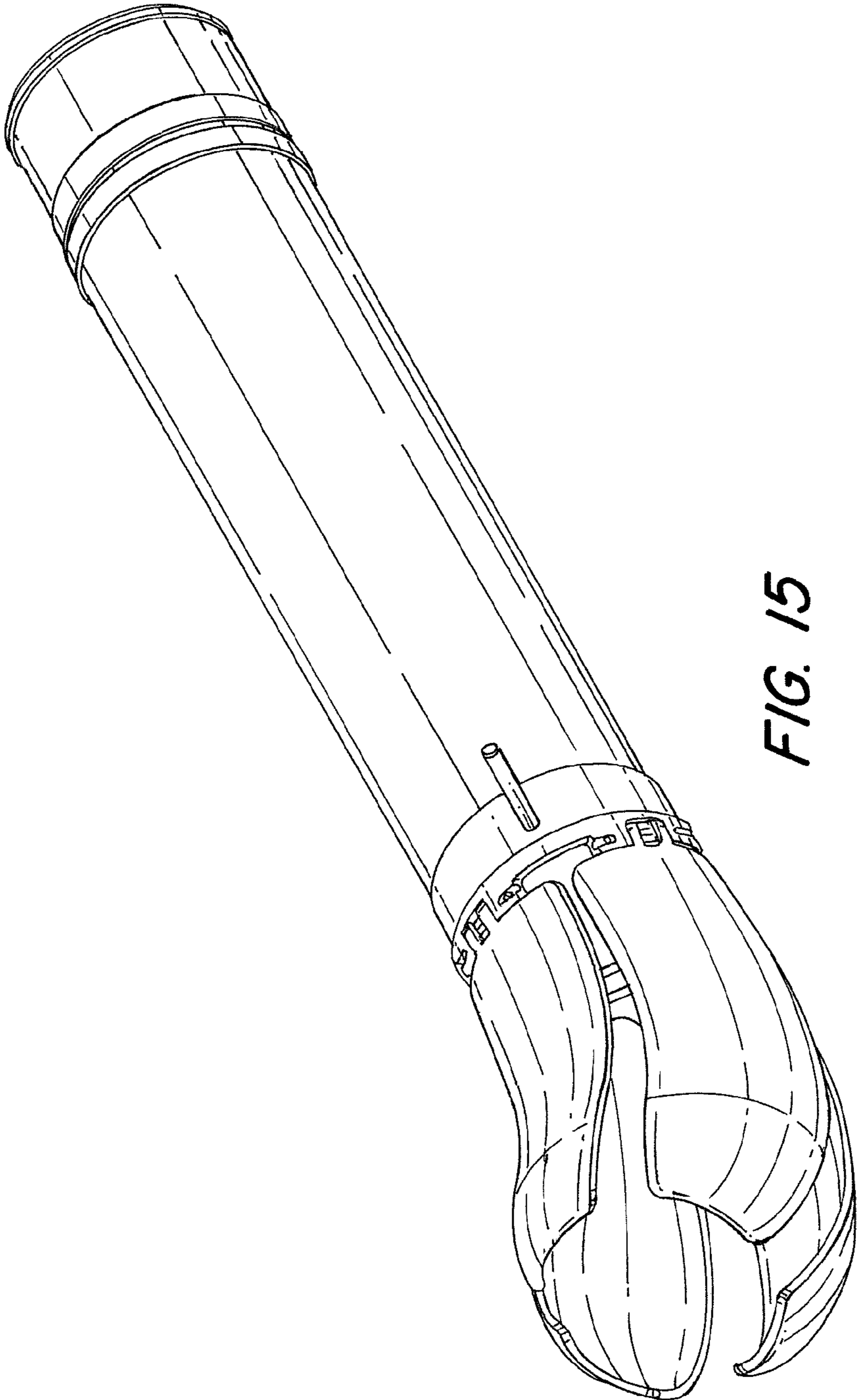


FIG. 15

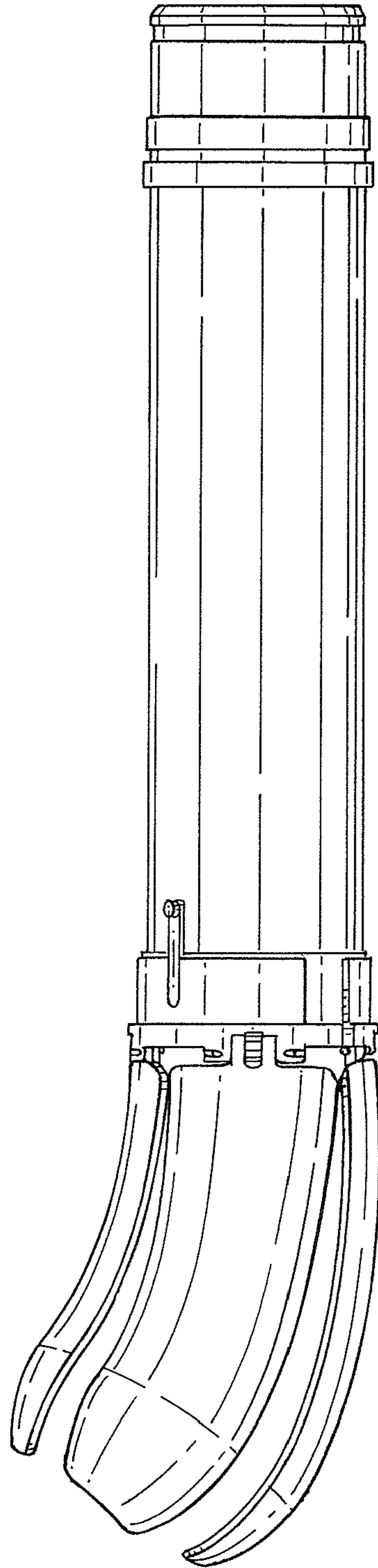


FIG. 16

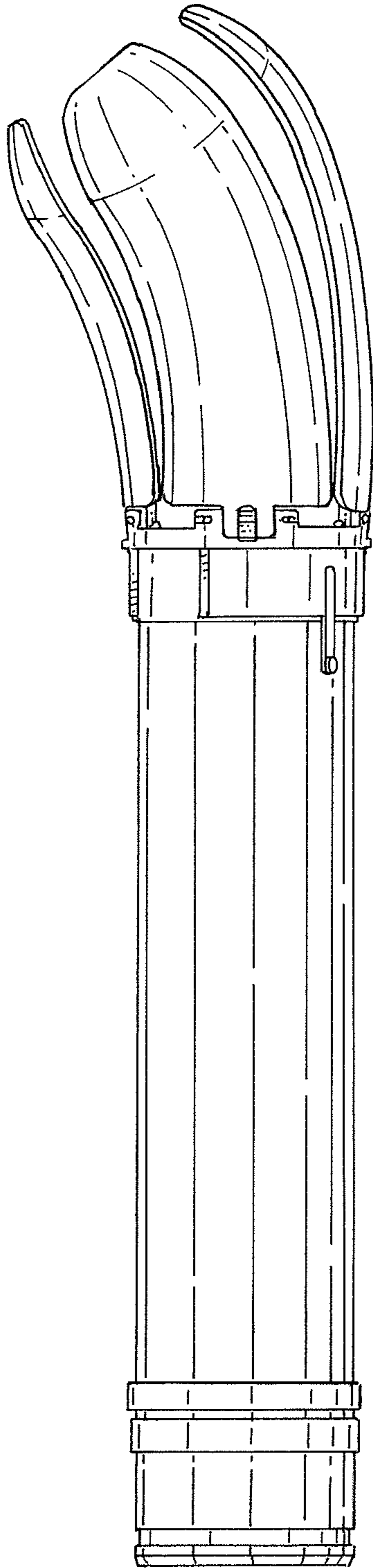


FIG. 17

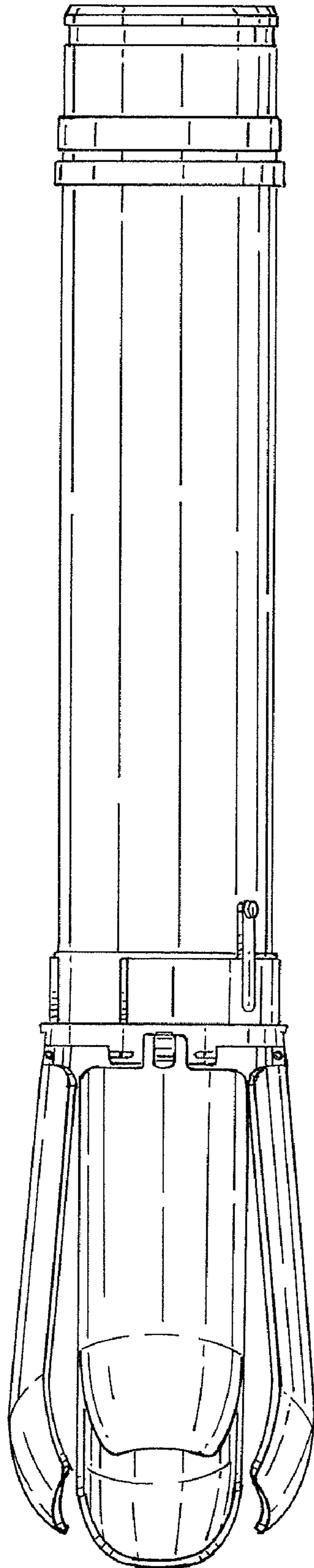


FIG. 18

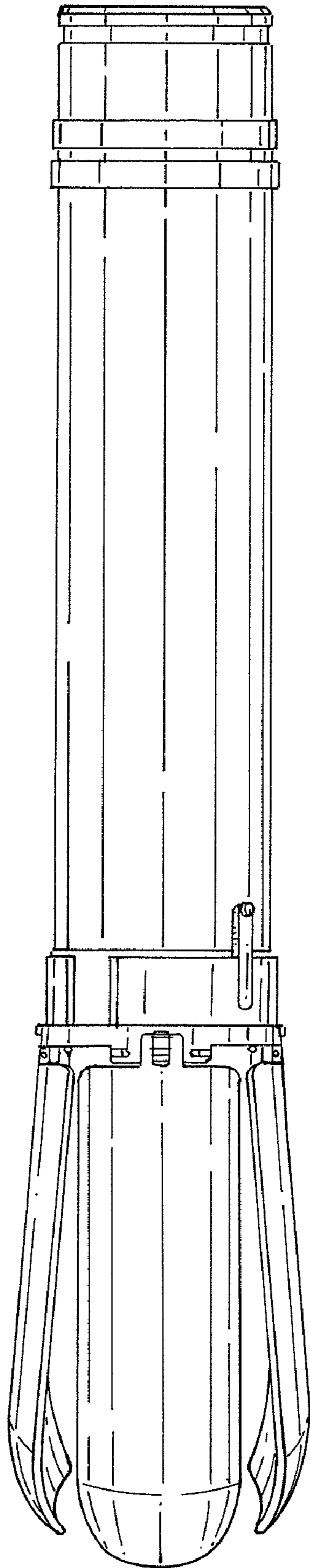


FIG. 19

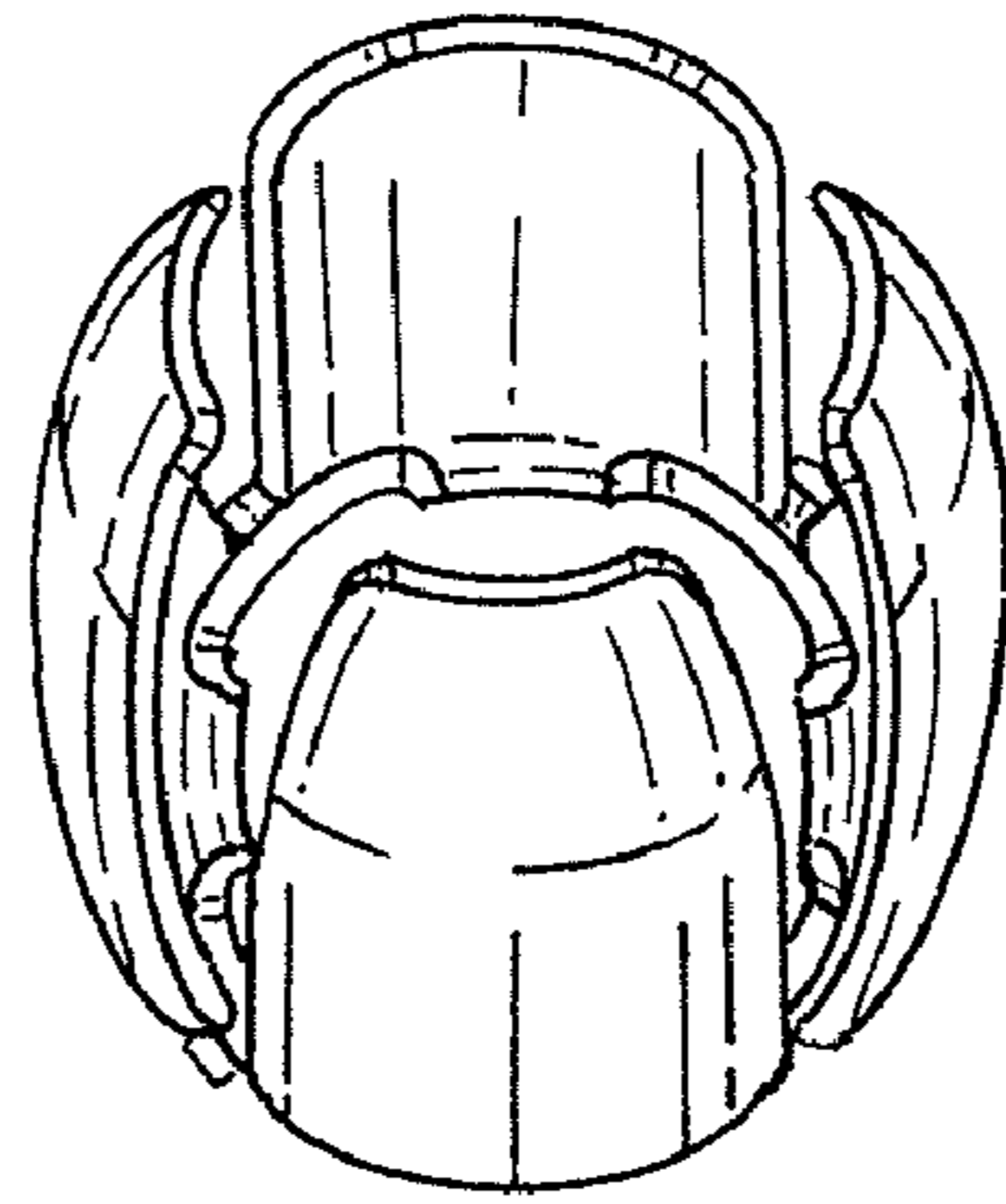


FIG. 20

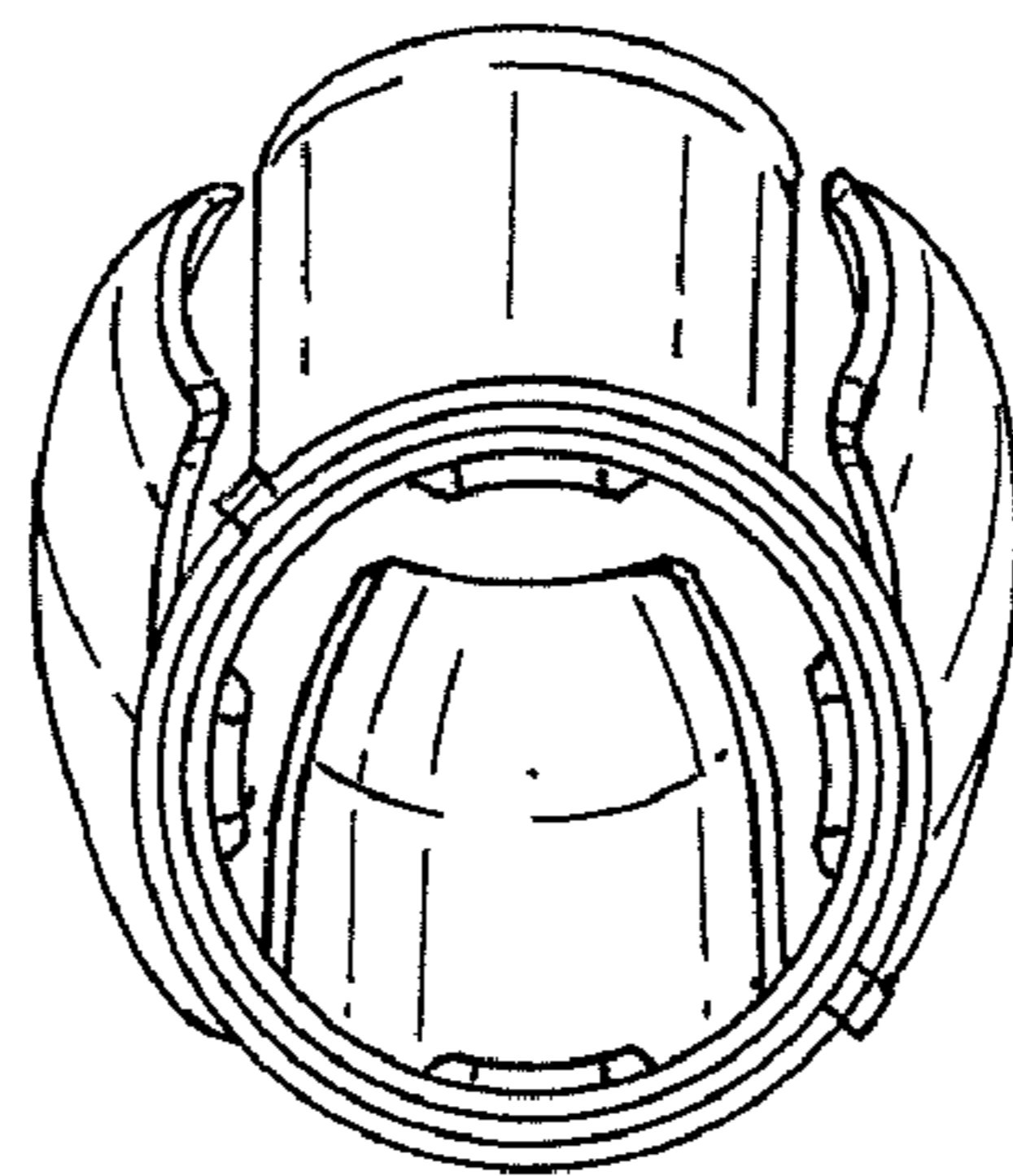


FIG. 21