



US00D672462S

(12) **United States Design Patent**
Campo

(10) **Patent No.:** **US D672,462 S**

(45) **Date of Patent:** **** Dec. 11, 2012**

(54) **TELESCOPE**

(75) Inventor: **Rudi Campo**, Leuven (BE)

(73) Assignee: **Karl Storz GmbH & Co. KG** (DE)

(**) Term: **14 Years**

(21) Appl. No.: **29/391,926**

(22) Filed: **May 13, 2011**

(30) **Foreign Application Priority Data**

Nov. 15, 2010 (EM) 001781360-0011

(51) **LOC (9) Cl.** **24-02**

(52) **U.S. Cl.** **D24/138**

(58) **Field of Classification Search** D24/138,
D24/137, 133; 600/101-183

See application file for complete search history.

(56) **References Cited**

U.S. PATENT DOCUMENTS

4,951,977	A *	8/1990	Shutt	285/316
5,807,240	A *	9/1998	Muller et al.	600/135
D536,790	S *	2/2007	Michel et al.	D24/137
D559,980	S *	1/2008	Rehbein et al.	D24/133
D570,480	S *	6/2008	Rehbein et al.	D24/133
D570,481	S *	6/2008	Rehbein et al.	D24/133
D583,470	S *	12/2008	Kupferschmid	D24/138
D611,600	S *	3/2010	Stammberger et al.	D24/138

D637,719	S *	5/2011	Eisenkolb	D24/138
D639,429	S *	6/2011	Speiser	D24/138
D647,616	S *	10/2011	Becker	D24/138
2004/0064139	A1 *	4/2004	Yossepowitch	606/46
2010/0268023	A1 *	10/2010	Campo et al.	600/104

* cited by examiner

Primary Examiner — Bridget L Eland

(74) *Attorney, Agent, or Firm* — St. Onge Steward Johnston & Reens LLC

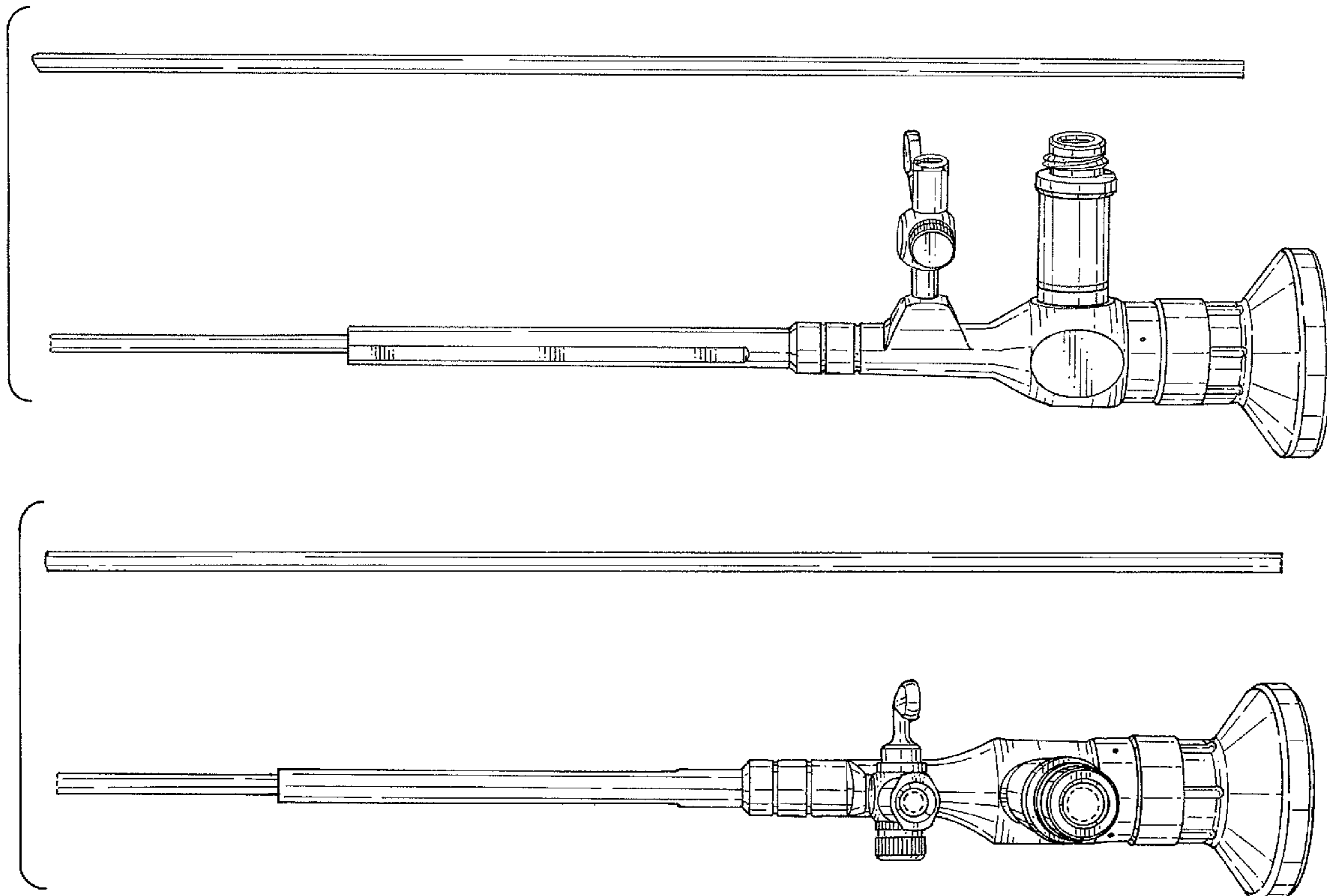
(57) **CLAIM**

The ornamental design for a telescope, as shown and described.

DESCRIPTION

FIG. 1 is a front left side isometric view of a telescope in accordance with the new design;
 FIG. 2 is a left side isometric view thereof;
 FIG. 3 is a right side isometric view thereof;
 FIG. 4 is a top isometric view thereof;
 FIG. 5 is a bottom isometric view thereof;
 FIG. 6 is a front isometric view thereof; and,
 FIG. 7 is a rear isometric view thereof.
 FIGS. 1-7 show a break indicating two parts of the telescope for ease of illustration. The broken lines shown in FIGS. 4-7 represent the bounds of the claimed design and form no part of the claimed design.

1 Claim, 7 Drawing Sheets



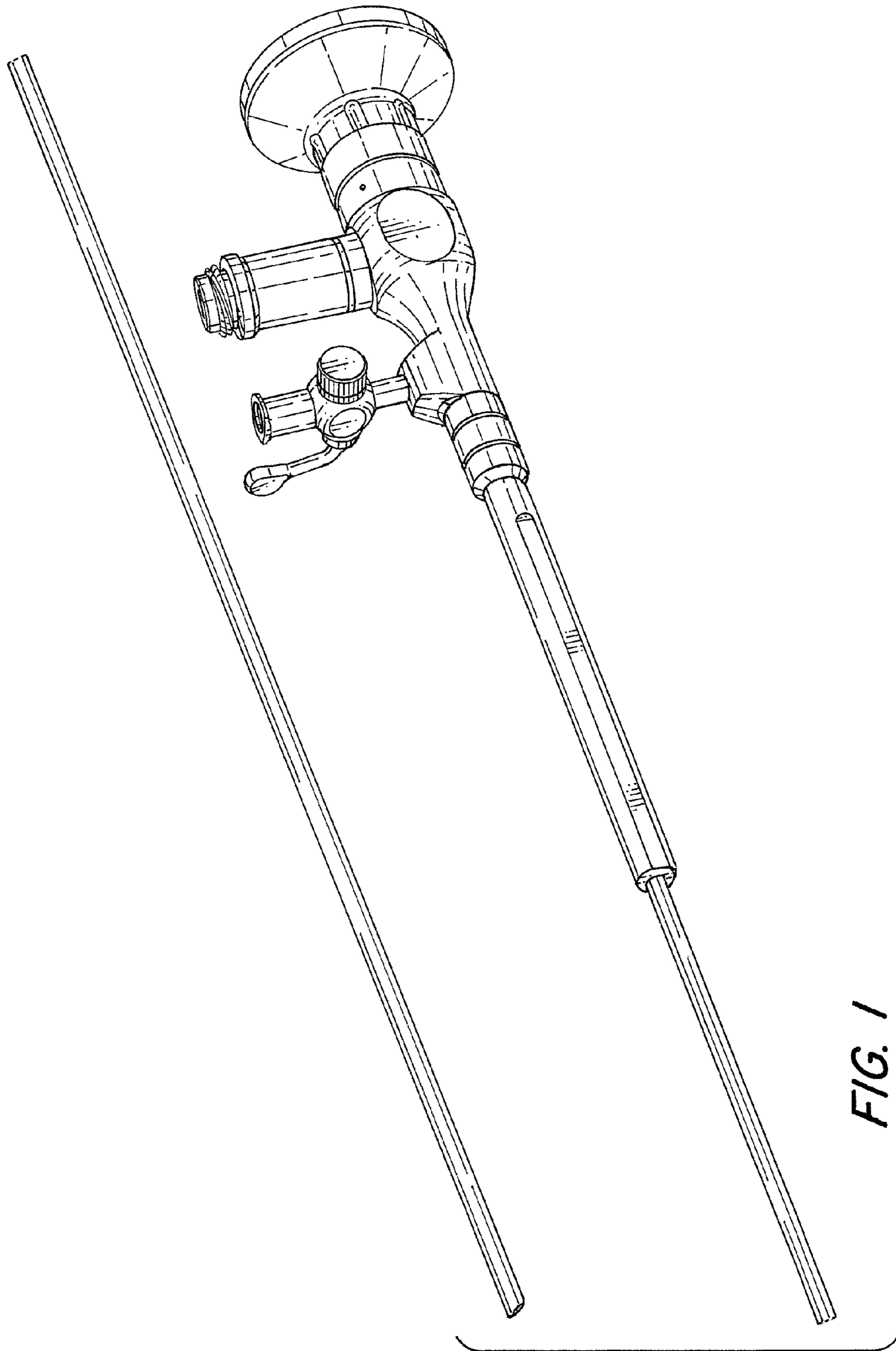


FIG. 1

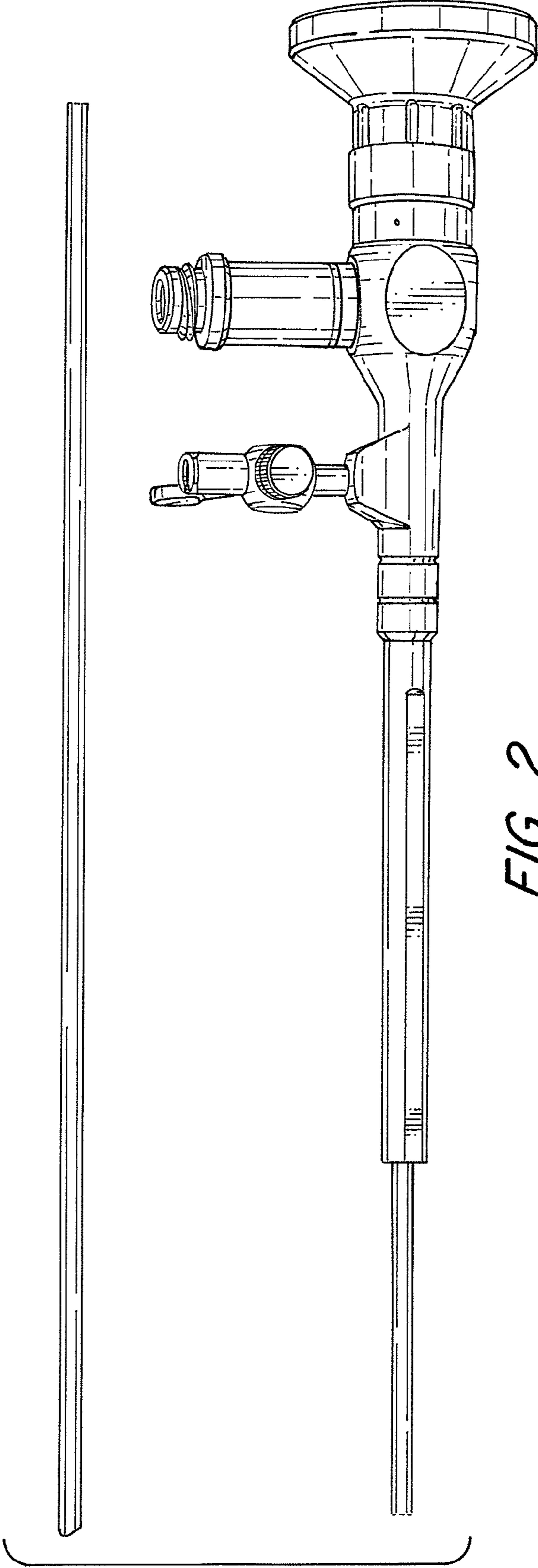


FIG. 2

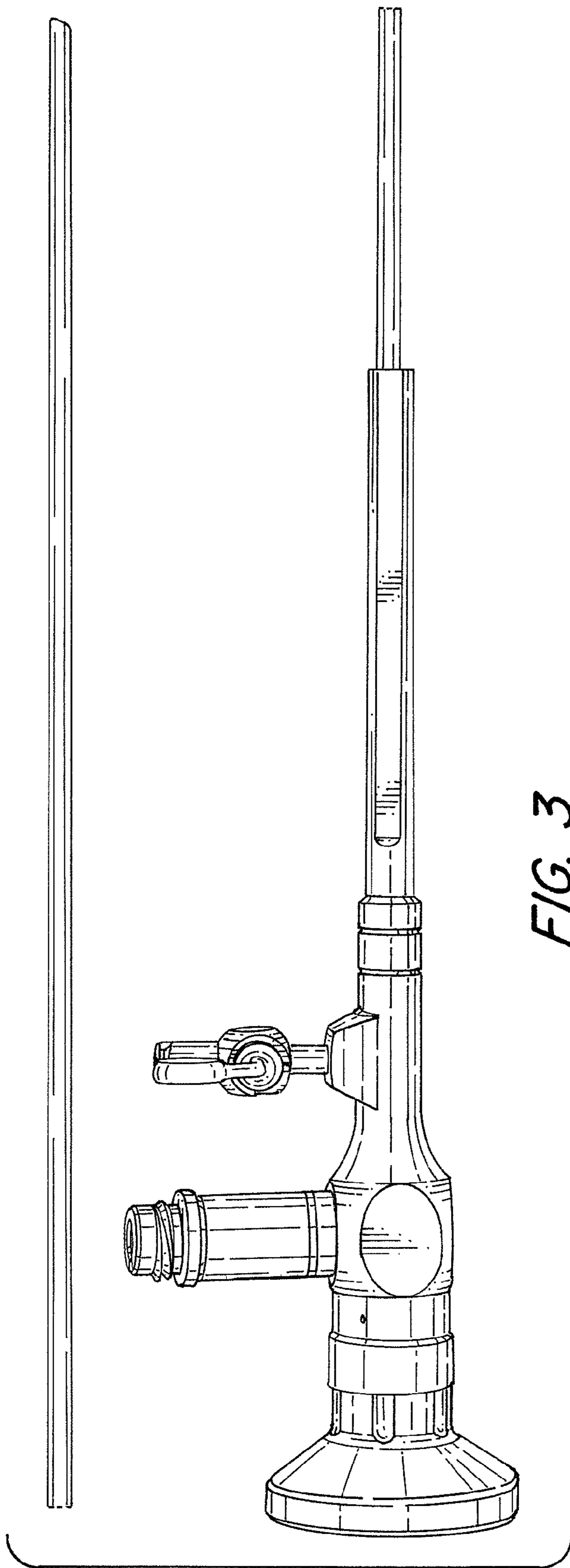


FIG. 3

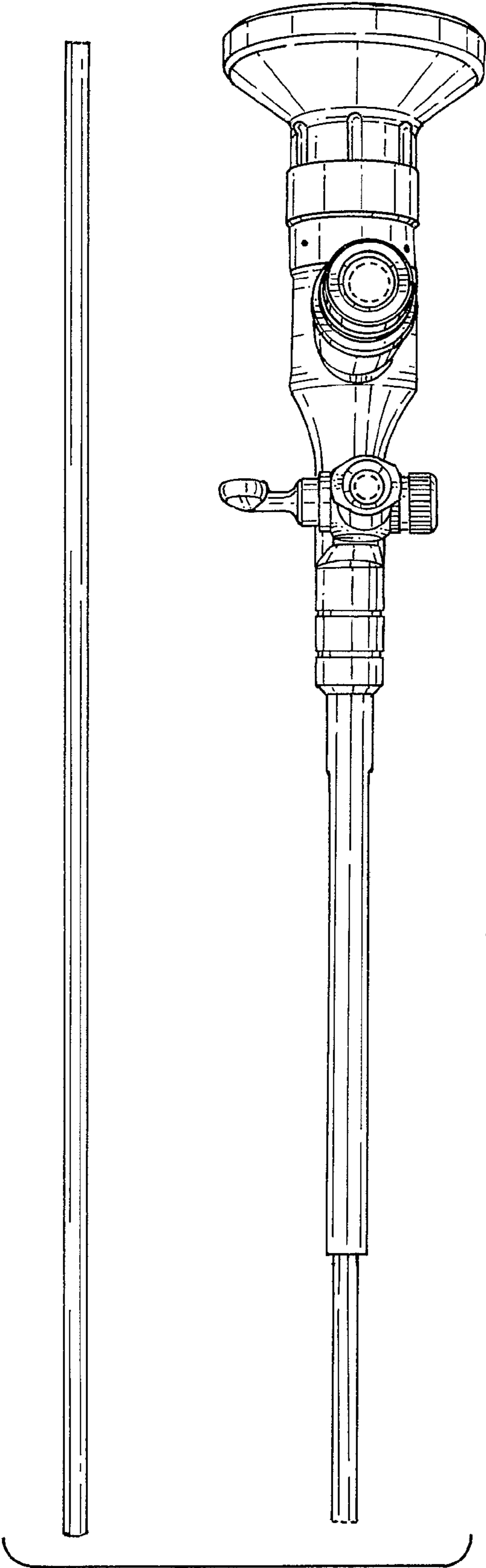


FIG. 4

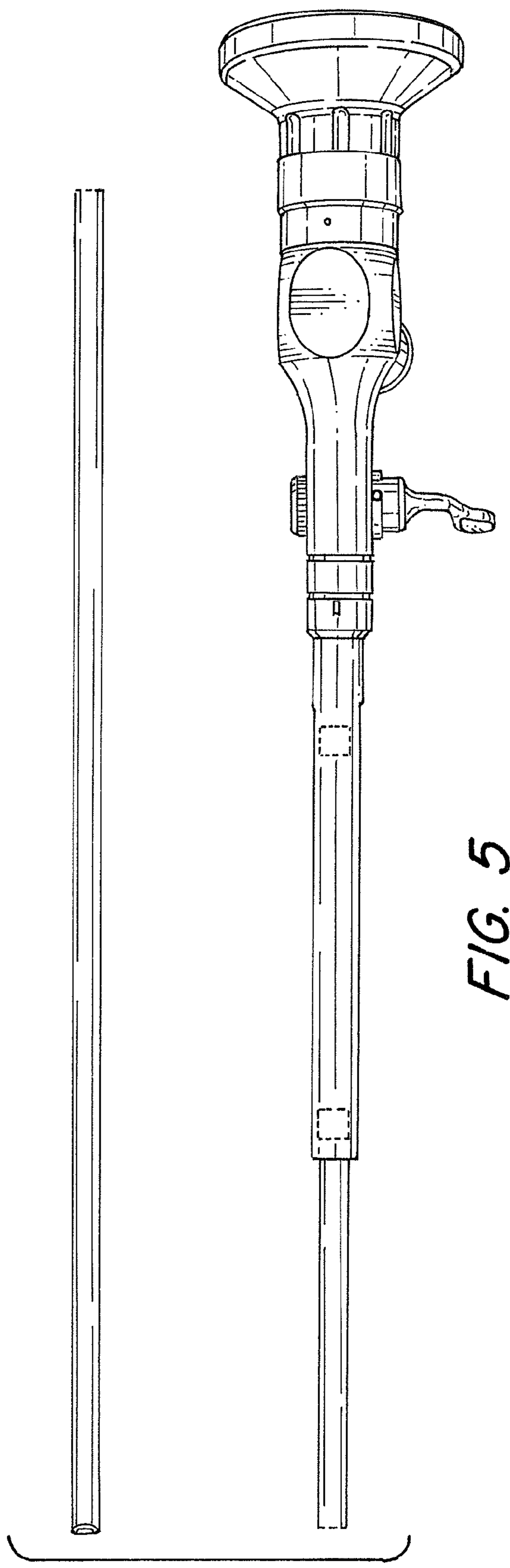


FIG. 5

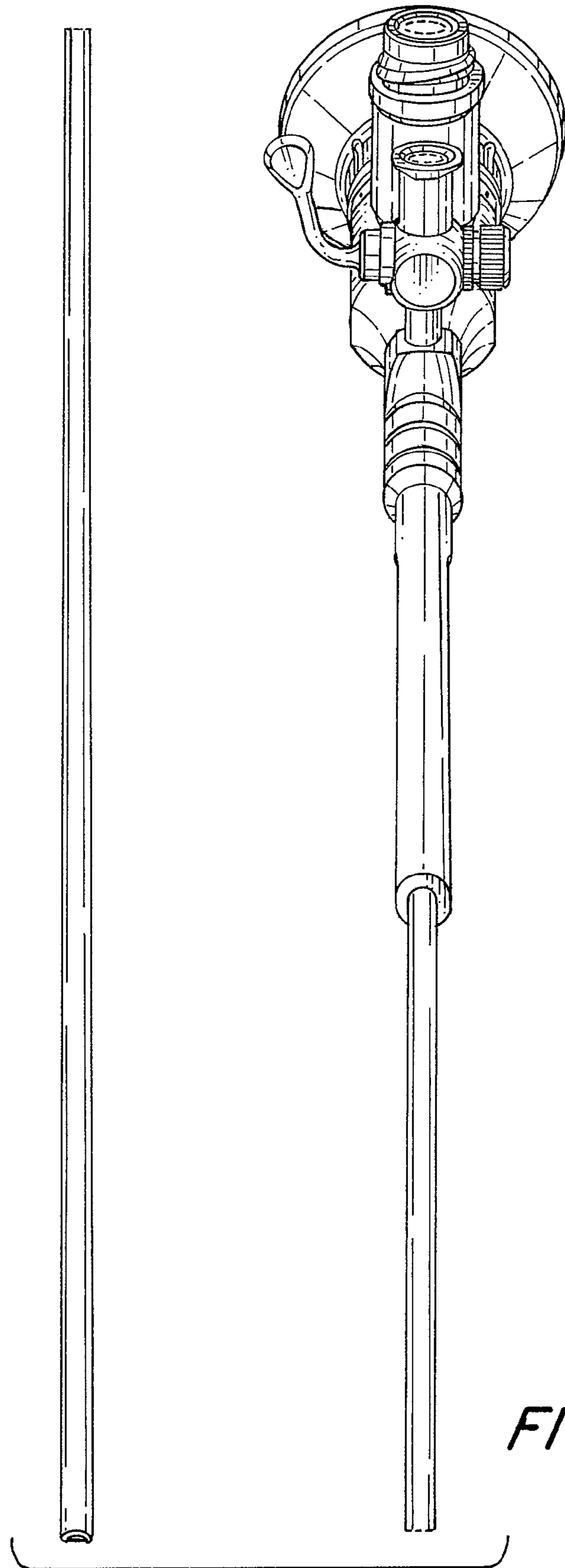


FIG. 6

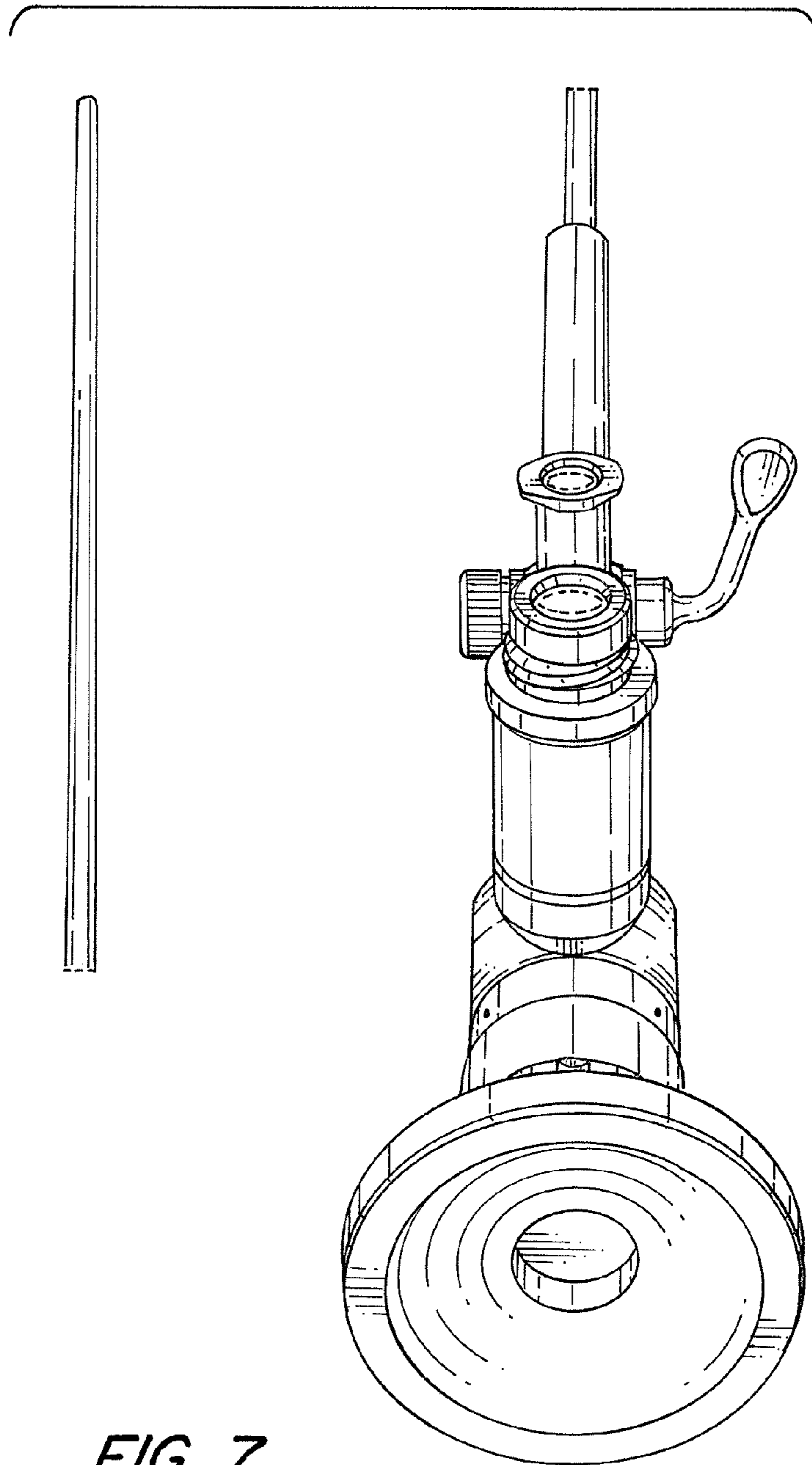


FIG. 7