



US00D672461S

(12) **United States Design Patent**
Brogden et al.

(10) **Patent No.:** **US D672,461 S**

(45) **Date of Patent:** **** *Dec. 11, 2012**

(54) **NASAL DILATOR**

(75) Inventors: **Kyle N Brogden**, Parsippany, NJ (US);
Gustav R Fenton, Parsippany, NJ (US);
Snigdha Mishra, Parsippany, NJ (US)

(73) Assignee: **GlaxoSmithKline, LLC**, Philadelphia, PA (US)

(*) Notice: This patent is subject to a terminal disclaimer.

(**) Term: **14 Years**

(21) Appl. No.: **29/398,048**

(22) Filed: **Jul. 26, 2011**

Related U.S. Application Data

(60) Continuation of application No. 29/352,630, filed on Dec. 23, 2009, now abandoned, and a division of application No. 29/352,630.

(51) **LOC (9) Cl.** **24-02**

(52) **U.S. Cl.** **D24/135**

(58) **Field of Classification Search** D24/133, D24/135, 136, 189; D28/4; D29/108; 606/191-199
See application file for complete search history.

(56) **References Cited**

U.S. PATENT DOCUMENTS

5,533,499	A	7/1996	Johnson
5,533,503	A	7/1996	Doubek et al.
5,546,929	A	8/1996	Muchin
5,611,333	A	3/1997	Johnson
5,653,224	A	8/1997	Johnson
6,065,470	A	5/2000	Van Cromvoirt et al.
6,098,616	A	8/2000	Lundy, Jr. et al.
6,318,362	B1	11/2001	Johnson
6,453,901	B1	9/2002	Ierulli
6,631,714	B2	10/2003	Von Duyke et al.
7,067,710	B1	6/2006	Beaudry

D639,762	S	*	6/2011	Brogden et al.	D24/135
D644,324	S	*	8/2011	Brunner et al.	D24/135
D644,325	S	*	8/2011	Brunner et al.	D24/135
D651,710	S	*	1/2012	Brogden et al.	D24/135
D659,245	S	*	5/2012	Ierulli	D24/135
D662,203	S	*	6/2012	Smith	D24/135
2001/0032645	A1		10/2001	Cronk et al.		
2007/0255309	A1		11/2007	Guyuron et al.		
2008/0058858	A1		3/2008	Smith		
2008/0184995	A1		8/2008	Ierulli et al.		
2008/0257341	A1		10/2008	Ierulli		

(Continued)

FOREIGN PATENT DOCUMENTS

EM 001220826-0001 * 8/2010

(Continued)

OTHER PUBLICATIONS

U.S. Appl. No. 29/352,649, filed Dec. 23, 2009, Brogden et al.

(Continued)

Primary Examiner — Bridget L Eland

(74) *Attorney, Agent, or Firm* — Joshua C. Sanders; Nora L. Stein; Theodore R. Furman

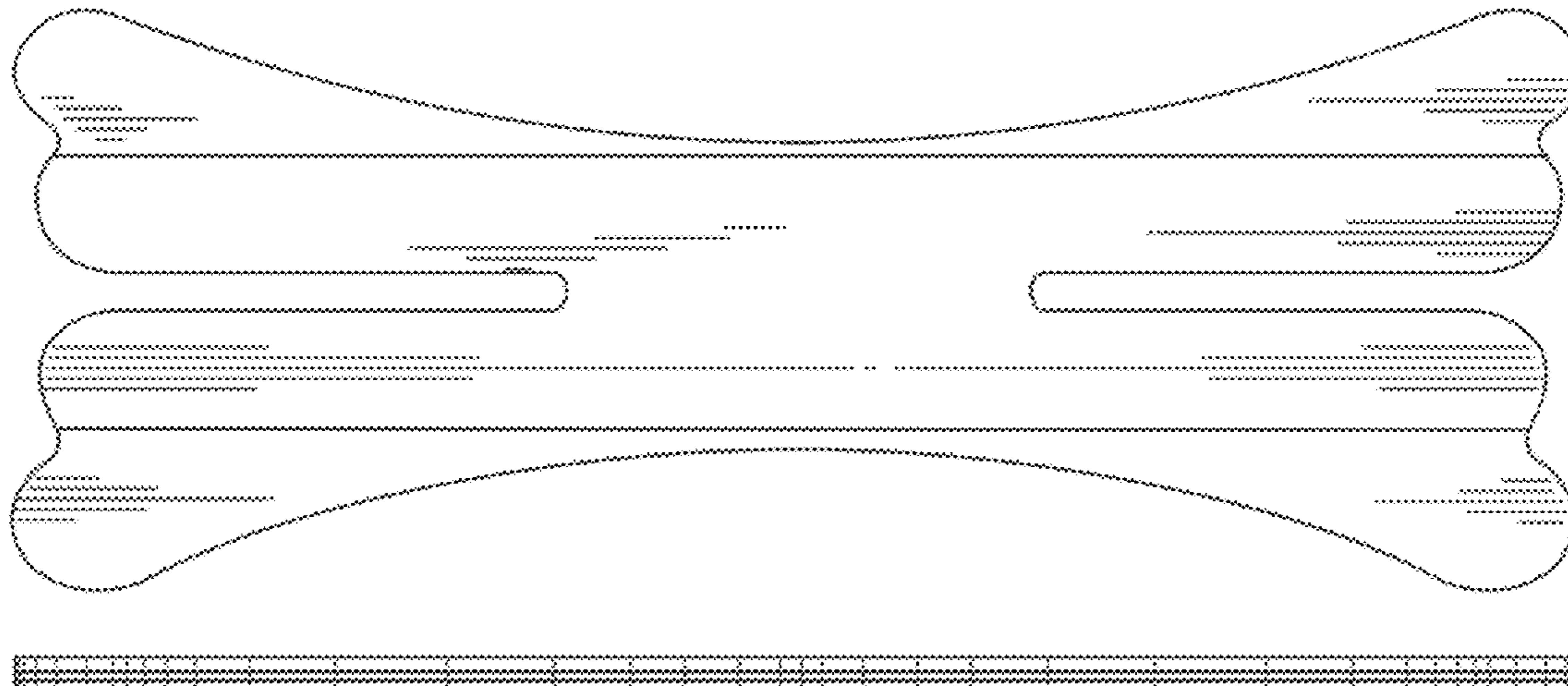
(57) **CLAIM**

We claim the ornamental design for a nasal dilator, as shown and described.

DESCRIPTION

FIG. 1 is a perspective view of the nasal dilator showing my new design;
FIG. 2 is a top view thereof;
FIG. 3 is a bottom view thereof;
FIG. 4 is a side elevational view thereof, both sides being the same; and,
FIG. 5 is an end elevational view thereof, both ends being the same.

1 Claim, 4 Drawing Sheets



U.S. PATENT DOCUMENTS

2009/0234383 A1 9/2009 Ierulli

FOREIGN PATENT DOCUMENTS

EM	001220826-0002	*	8/2010
EM	001220826-0003	*	8/2010
EM	001220826-0004	*	8/2010
EP	0842646		5/1998
WO	WO99/22678		5/1999
WO	WO2005/020845		2/2009

OTHER PUBLICATIONS

U.S. Appl. No. 29/352,646, filed Dec. 23, 2009, Brunner et al.

U.S. Appl. No. 29/352,627, filed Dec. 23, 2009, Brogden et al.

* cited by examiner

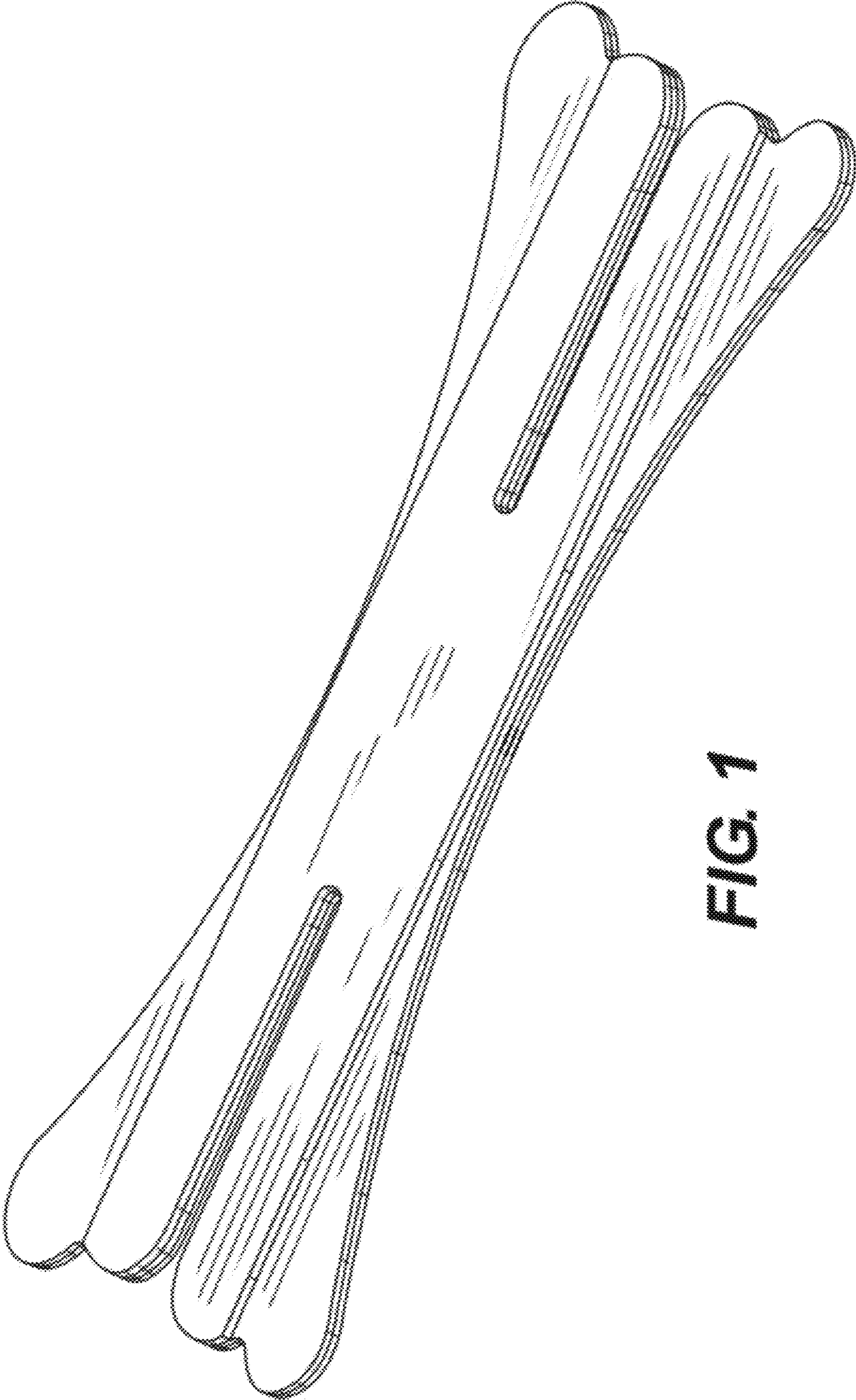


FIG. 1

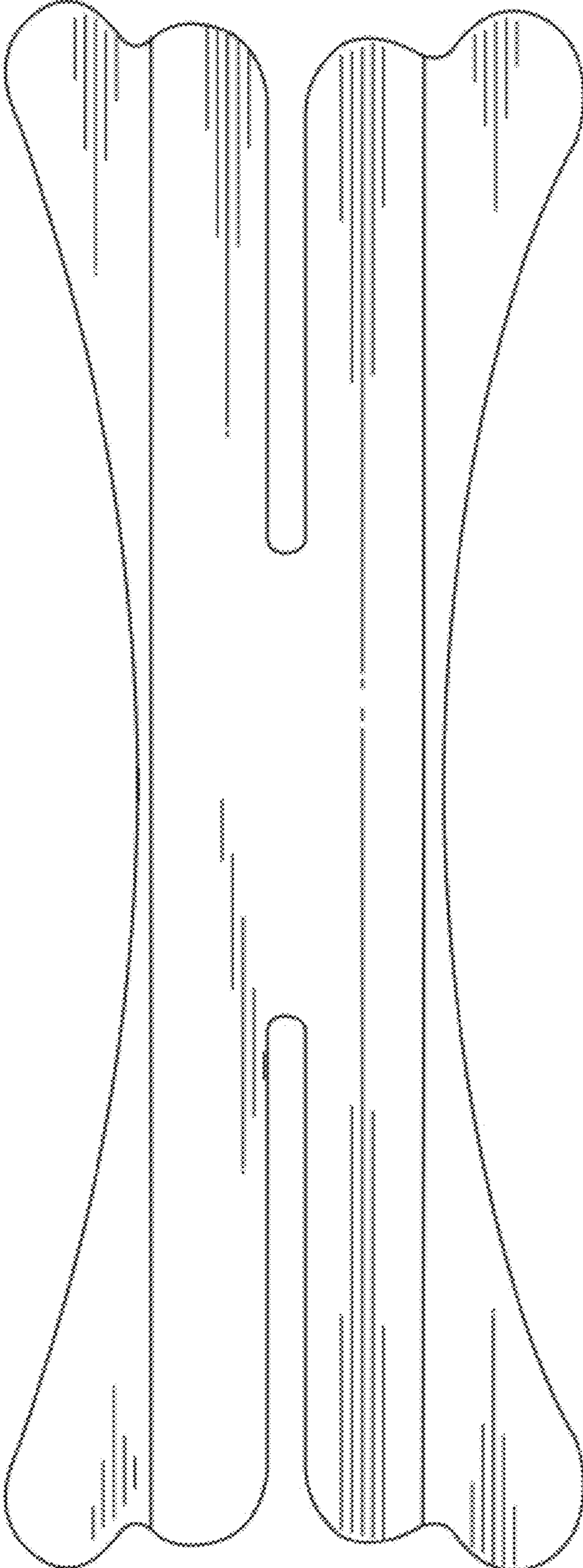


FIG. 2

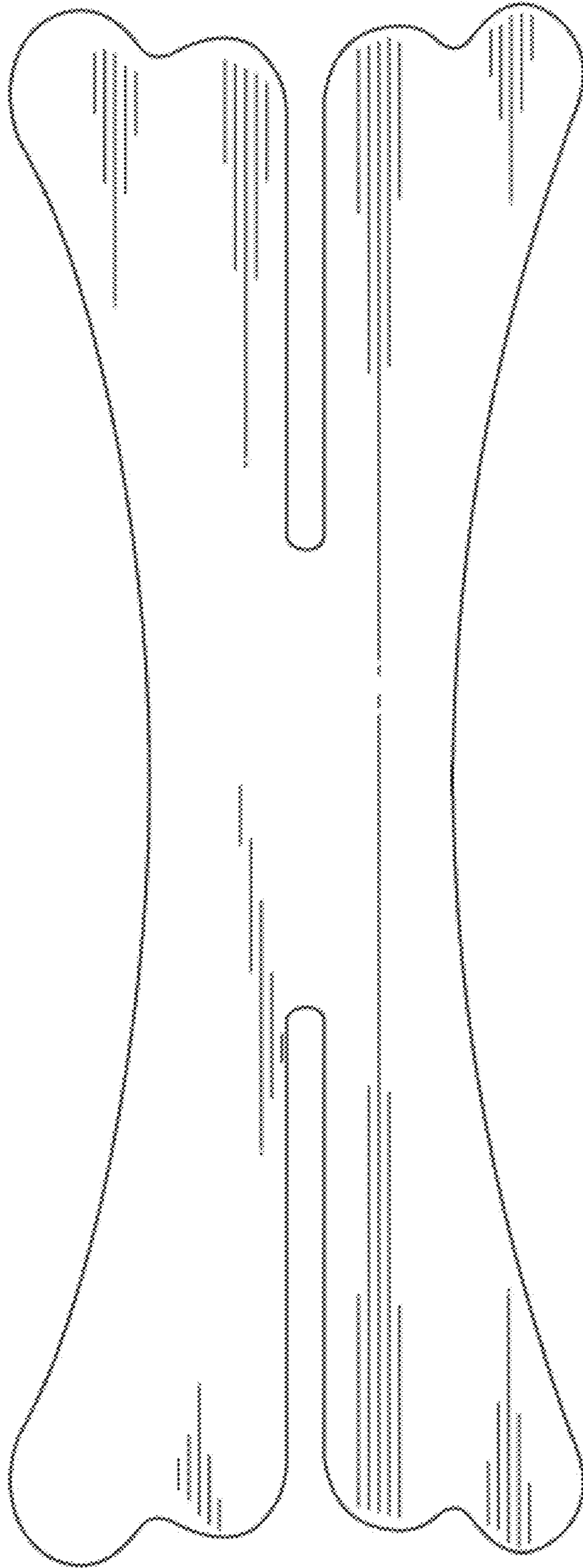


FIG. 3



FIG. 4



FIG. 5