



US00D672460S

(12) **United States Design Patent**
Baid

(10) **Patent No.:** **US D672,460 S**

(45) **Date of Patent:** **** Dec. 11, 2012**

(54) **SAFETY NEEDLE CLIP**

(75) Inventor: **Rishi Baid**, New Delhi (IN)

(73) Assignee: **Poly Medicure Limited**, Faridabad,
Haryana (IN)

(**) Term: **14 Years**

(21) Appl. No.: **29/394,176**

(22) Filed: **Jun. 14, 2011**

(30) **Foreign Application Priority Data**

Dec. 14, 2010 (IN) 233234

(51) **LOC (9) Cl.** **24-02**

(52) **U.S. Cl.** **D24/130**

(58) **Field of Classification Search** D24/112,
D24/130, 128; 604/110, 263, 158, 162, 161,
604/264, 164.08

See application file for complete search history.

(56) **References Cited**

U.S. PATENT DOCUMENTS

6,749,588	B1 *	6/2004	Howell et al.	604/164.08
7,008,402	B2 *	3/2006	Ferguson et al.	604/110
7,291,130	B2 *	11/2007	McGurk	604/164.08
D597,666	S *	8/2009	George et al.	D24/128
7,632,243	B2 *	12/2009	Bialecki et al.	604/110
7,736,332	B2 *	6/2010	Carlyon et al.	604/110
7,988,664	B2 *	8/2011	Fiser et al.	604/110

8,048,036	B2 *	11/2011	Woehr et al.	604/218
D655,407	S *	3/2012	Adams	D24/128
2001/0039401	A1 *	11/2001	Ferguson et al.	604/198
2002/0151850	A1 *	10/2002	Ferguson et al.	604/192
2003/0144627	A1 *	7/2003	Woehr et al.	604/110
2004/0167477	A1 *	8/2004	Wilkinson et al.	604/263
2004/0193120	A1 *	9/2004	Ferguson et al.	604/263
2005/0027263	A1 *	2/2005	Woehr et al.	604/263
2006/0264828	A1 *	11/2006	Woehr et al.	604/110
2007/0161950	A1 *	7/2007	Carlyon et al.	604/110
2011/0288482	A1 *	11/2011	Farrell et al.	604/164.04

* cited by examiner

Primary Examiner — Eric Goodman

(74) *Attorney, Agent, or Firm* — Duane Morris LLP

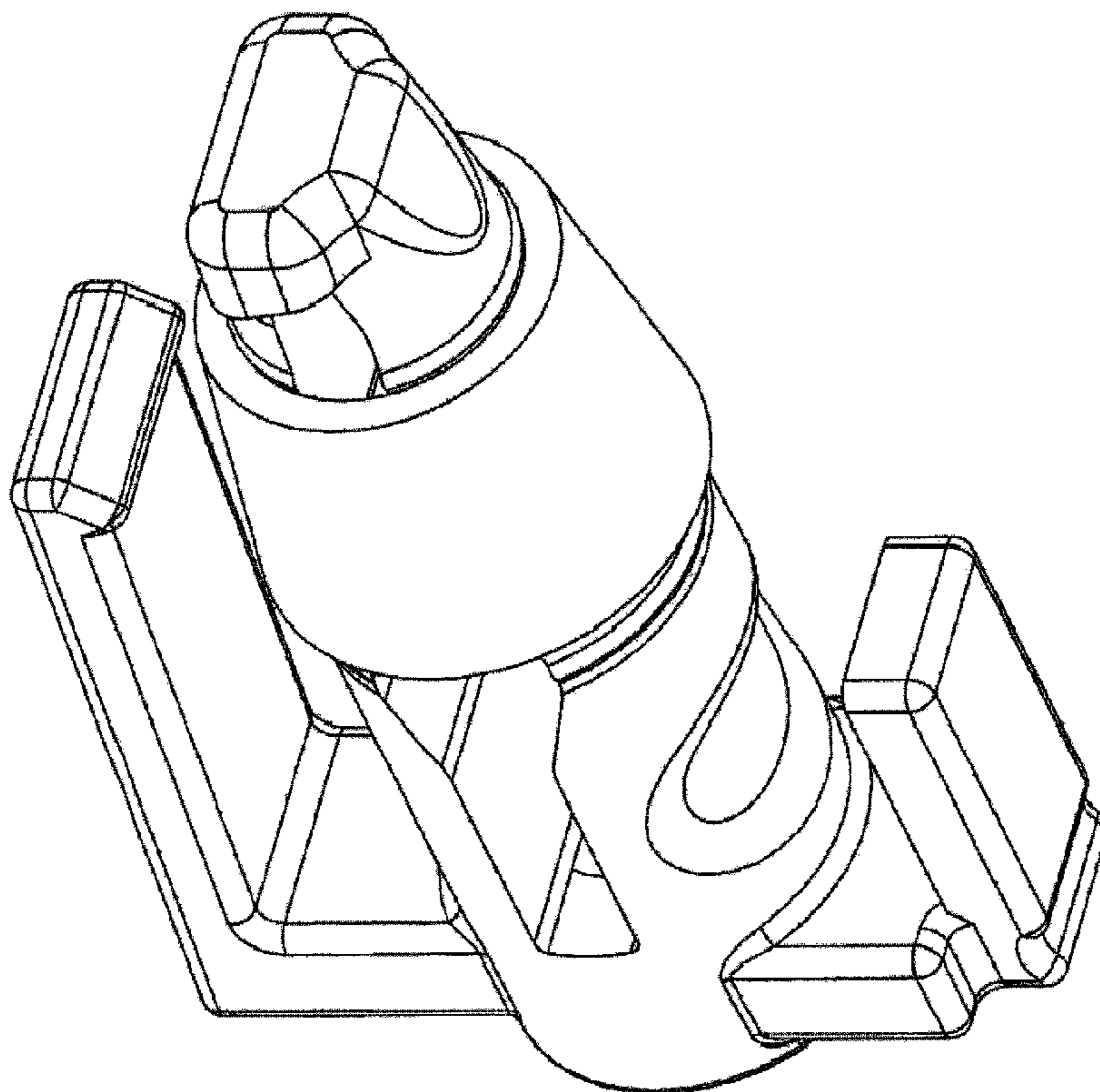
(57) **CLAIM**

The ornamental design for a safety needle clip, as shown and described in the Figures.

DESCRIPTION

FIG. 1 is a perspective view of the safety needle clip; FIG. 2 is another perspective view of the safety needle clip; FIG. 3 is a front end view of the safety needle clip; FIG. 4 is a left side view of the safety needle clip; FIG. 5 is a right side view of the safety needle clip; FIG. 6 is a top side plan view of the safety needle clip; and, FIG. 7 is a bottom side plan view of the safety needle clip. The broken line showing of structure is for illustrative purposes only, and forms no part of the claimed design.

1 Claim, 7 Drawing Sheets



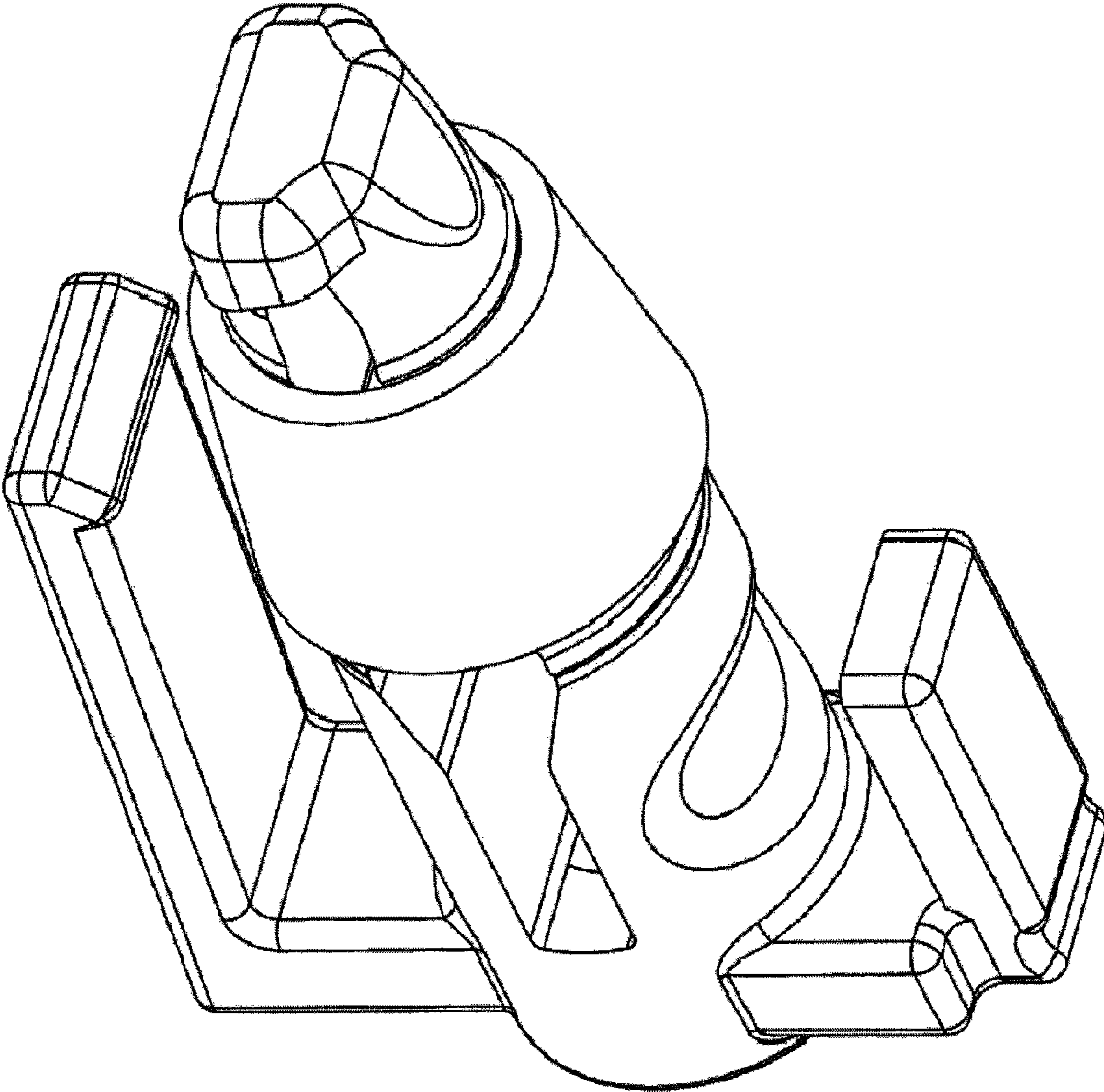


FIG. 1

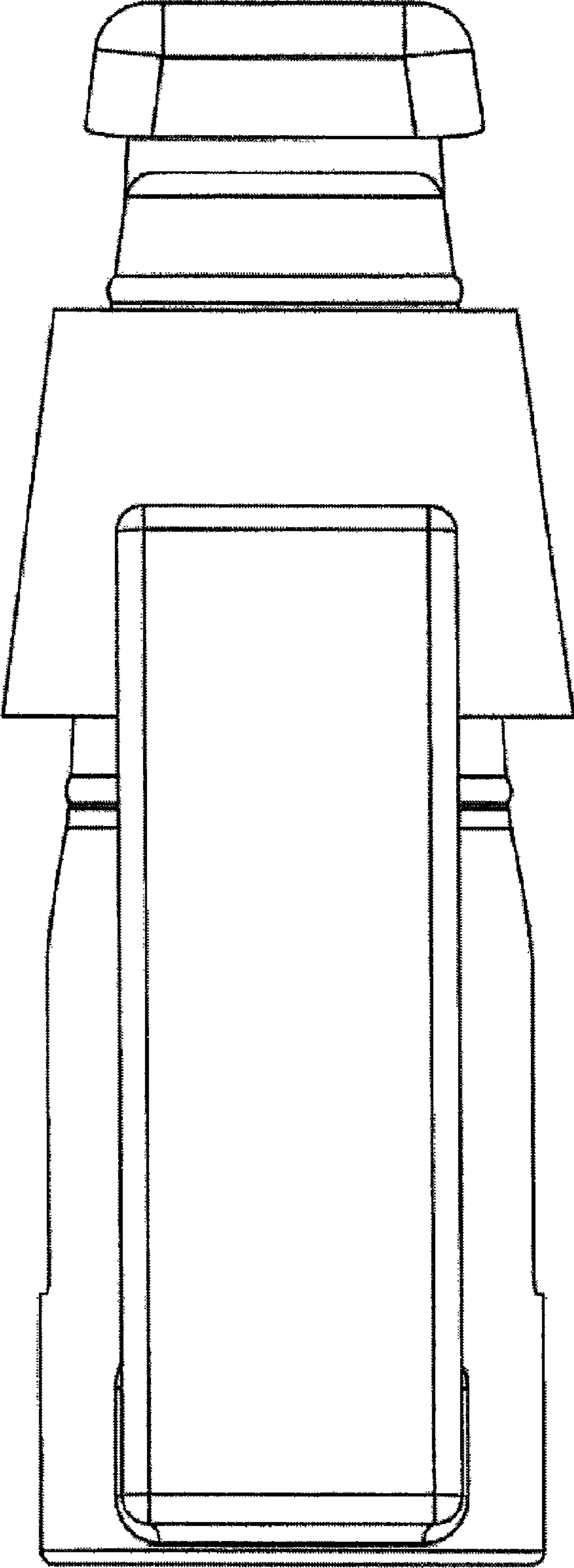


FIG. 2

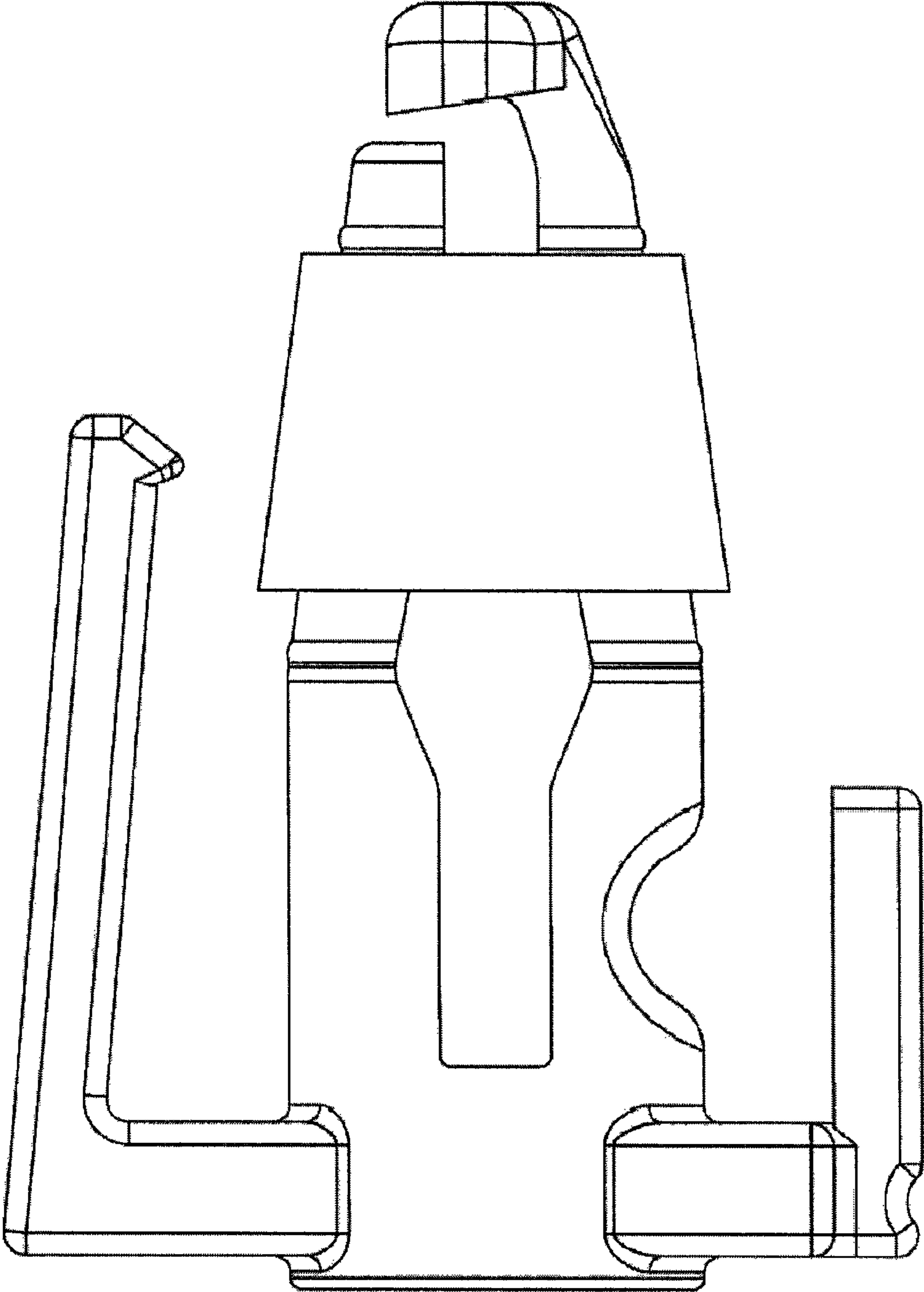


FIG. 3

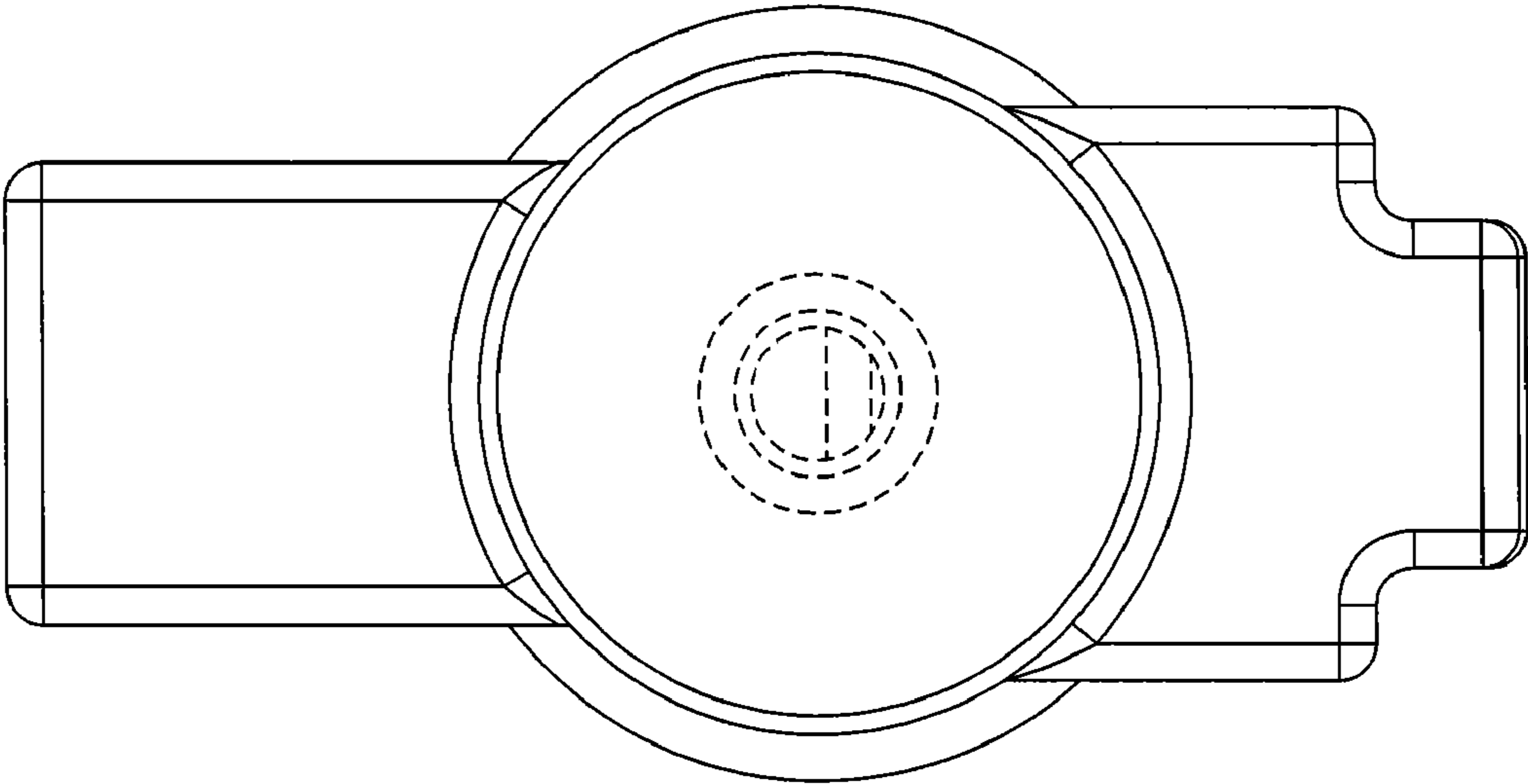


FIG. 4

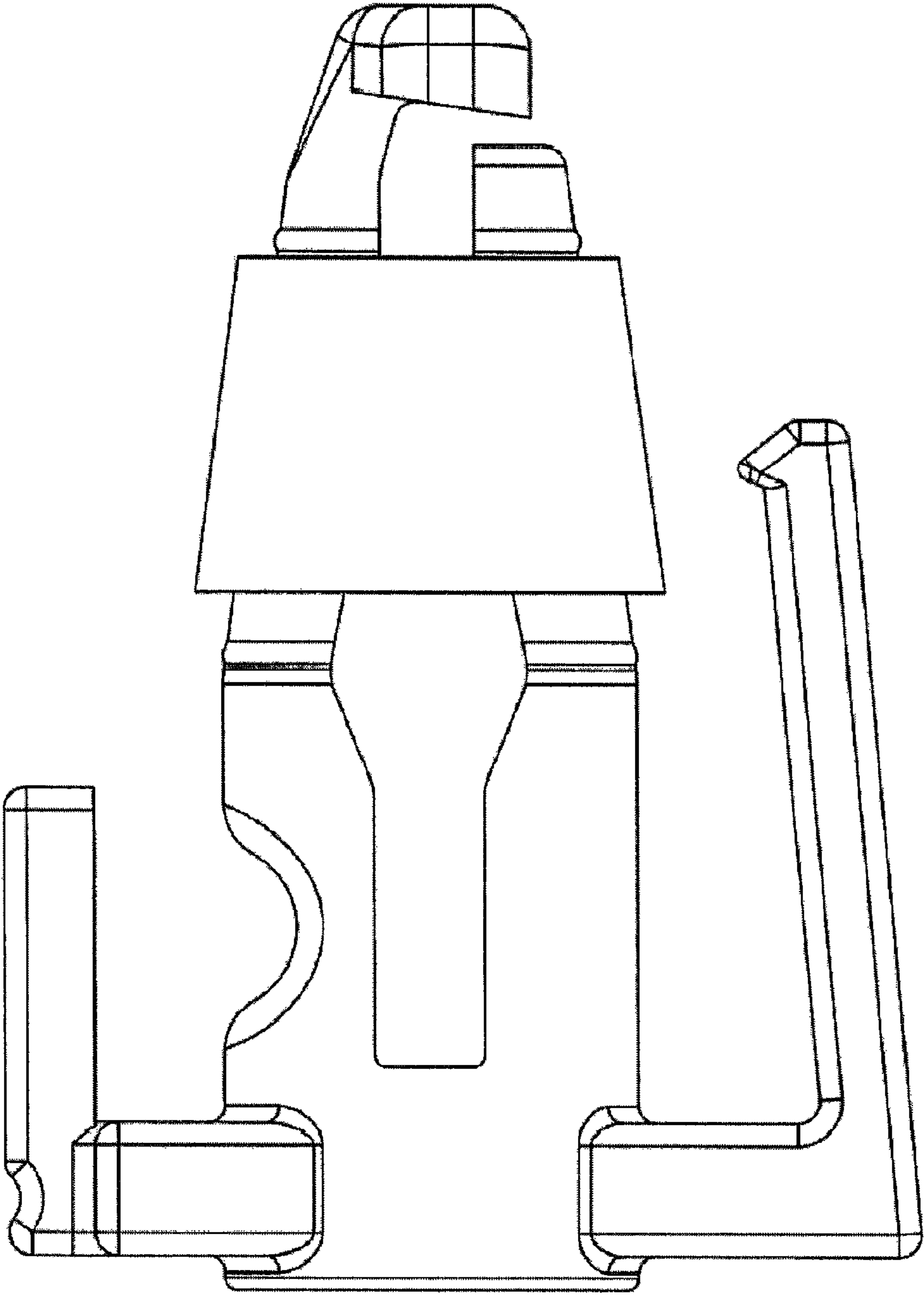


FIG. 5

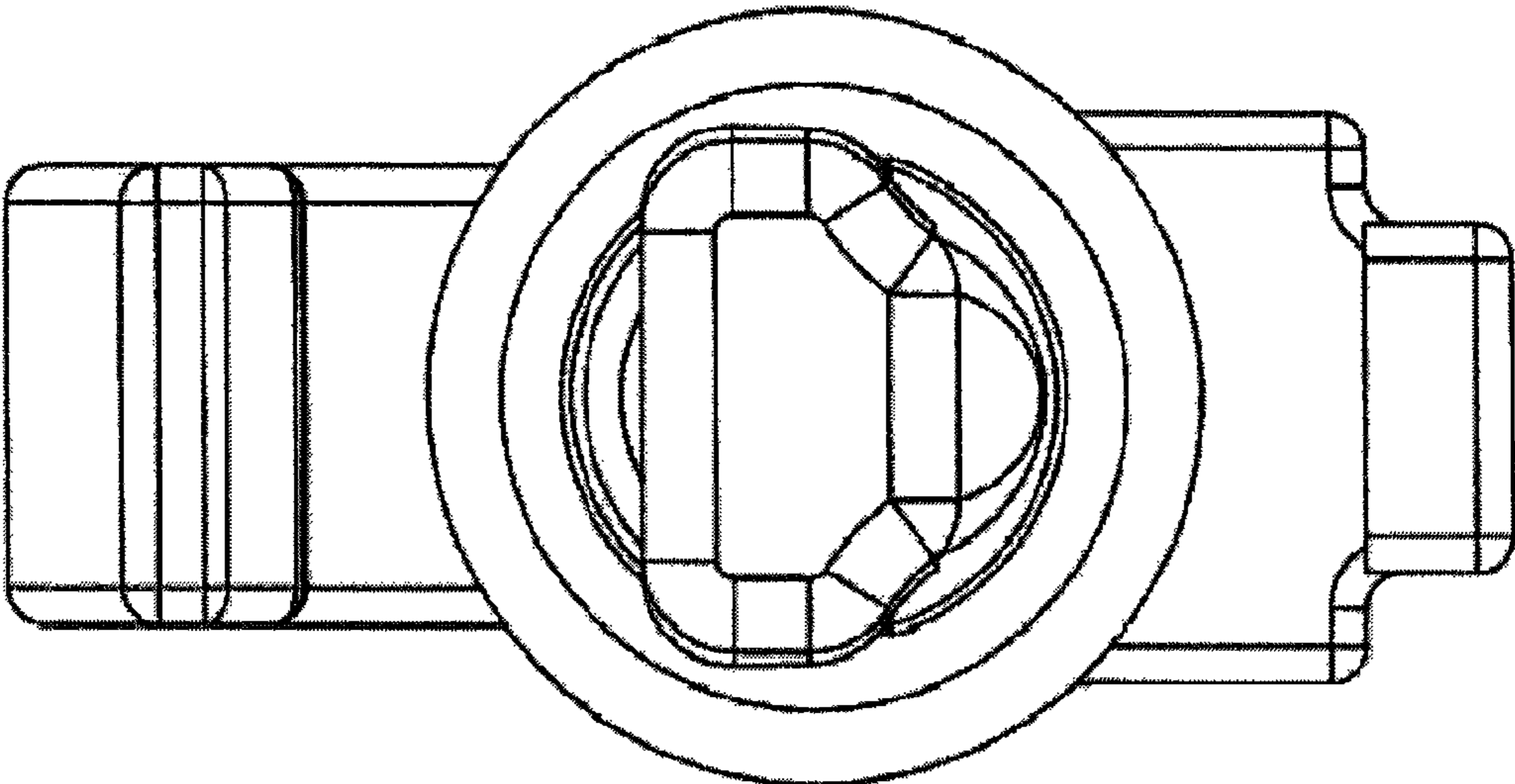


FIG. 6

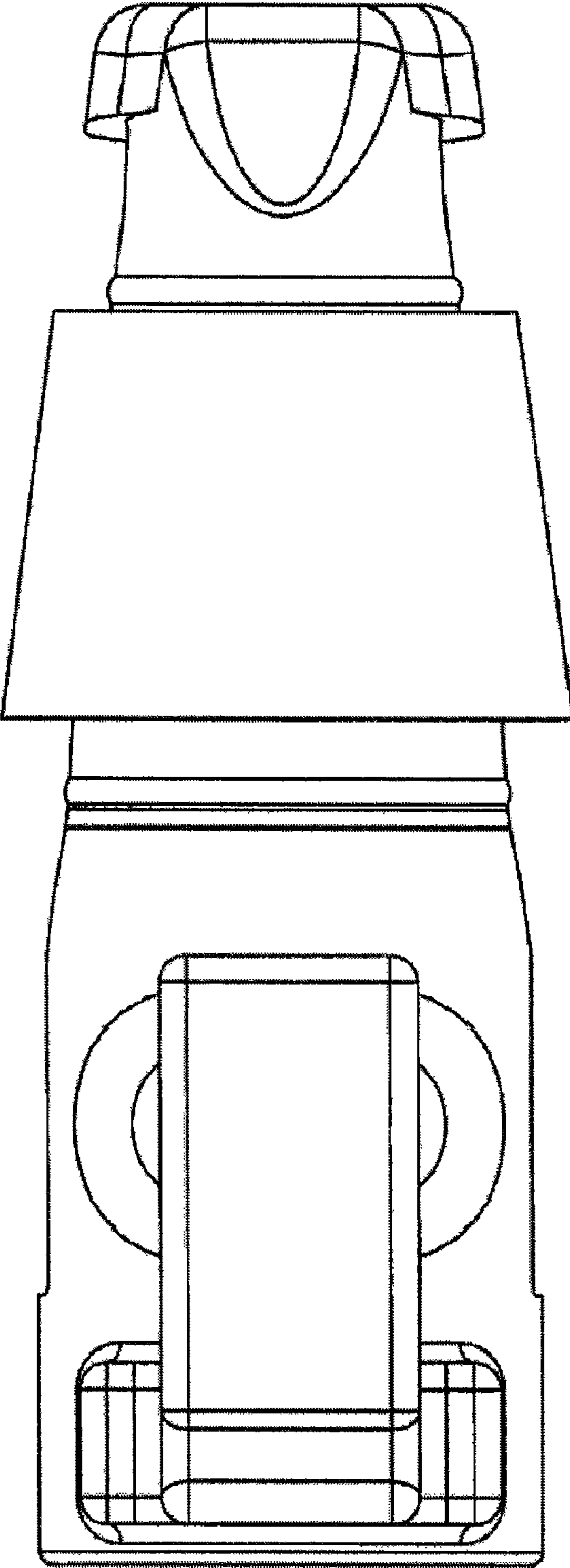


FIG. 7