



US00D672459S

(12) **United States Design Patent**  
**Miller**

(10) **Patent No.:** **US D672,459 S**

(45) **Date of Patent:** **\*\* Dec. 11, 2012**

(54) **ANGLED CONNECTOR FOR TUBING**

D556,899 S \* 12/2007 Veliss et al. .... D24/110.1  
D577,117 S \* 9/2008 Biener et al. .... D24/110.1  
D633,206 S \* 2/2011 Murner ..... D24/155

(75) Inventor: **Andrew Neil Miller**, Bracknell (GB)

(Continued)

(73) Assignee: **Intersurgical AG**, Vaduz (LI)

FOREIGN PATENT DOCUMENTS

CN 101579551 A 11/2009

(Continued)

(\*\*) Term: **14 Years**

(21) Appl. No.: **29/358,228**

OTHER PUBLICATIONS

“Respiratory Humidification Products,” Fisher & Paykel Healthcare, 2005-2008.

(22) Filed: **Mar. 24, 2010**

(30) **Foreign Application Priority Data**

*Primary Examiner* — Eric L. Goodman

Sep. 24, 2009 (EM) ..... 001615352-0001

(74) *Attorney, Agent, or Firm* — LeClairRyan, a Professional Corporation

(51) **LOC (9) Cl.** ..... **24-02**

(57) **CLAIM**

(52) **U.S. Cl.** ..... **D24/129**

The ornamental design for an angled connector for tubing, as shown and described.

(58) **Field of Classification Search** ..... D24/108–110.5,  
D24/127–130; 604/905, 533, 544, 408, 538,  
604/43; 285/304–321

**DESCRIPTION**

See application file for complete search history.

FIG. 1 is a right perspective view from the front and bottom sides of a first embodiment of an angled connector for tubing. FIG. 2 is a left perspective view from the top and back sides of the angled connector for tubing shown in FIG. 1. FIG. 3 is a right side view of the angled connector for tubing shown in FIG. 1.

(56) **References Cited**

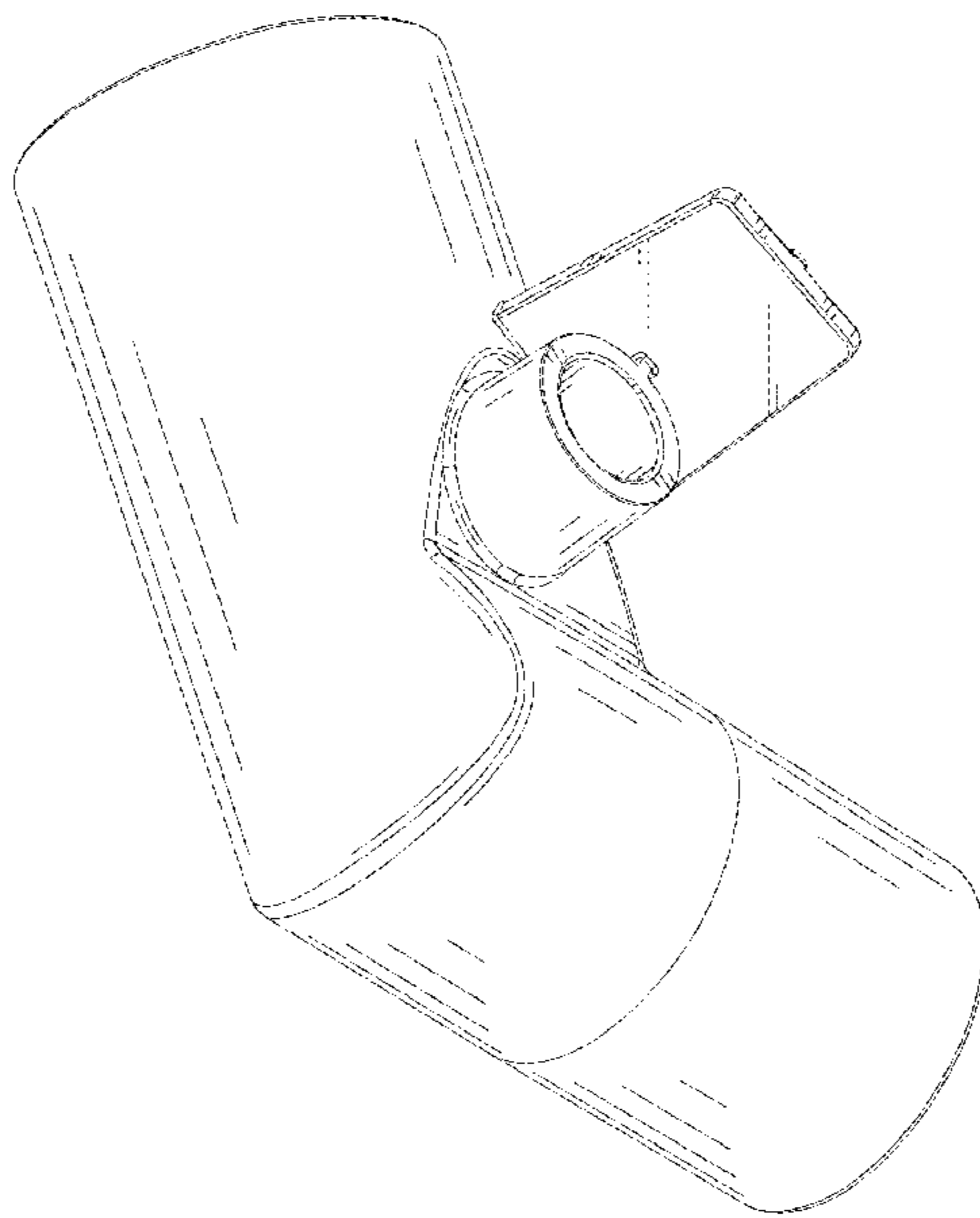
U.S. PATENT DOCUMENTS

1,029,819 A \* 6/1912 Nylander ..... 285/88  
D172,372 S 6/1954 Wagner  
D177,198 S 3/1956 Irving  
D233,845 S \* 12/1974 Fettel ..... D24/129  
D239,283 S 3/1976 Villari  
D241,939 S \* 10/1976 Sjudahl ..... D24/127  
D257,286 S 10/1980 Folkman  
D265,249 S 6/1982 Halvorsen  
D279,407 S 6/1985 Hubbard  
D329,495 S 9/1992 Kotake  
5,174,611 A 12/1992 Byrd et al.  
5,181,508 A 1/1993 Poole, Jr.  
D357,307 S 4/1995 Ramacier, Jr. et al.  
7,147,252 B2 \* 12/2006 Teuscher et al. .... 285/280  
D536,091 S \* 1/2007 Biener et al. .... D24/110.1

FIG. 4 is a front view of the angled connector for tubing shown in FIG. 1. FIG. 5 is a left side view of the angled connector for tubing shown in FIG. 1; and, FIG. 6 is a bottom view of the angled connector for tubing shown in FIG. 1.

The designations of the views below as top, bottom, right side, left side, front, and back are for ease of discussion only and are not intended to limit the angled connector for tubing to one particular orientation.

**1 Claim, 6 Drawing Sheets**



# US D672,459 S

Page 2

---

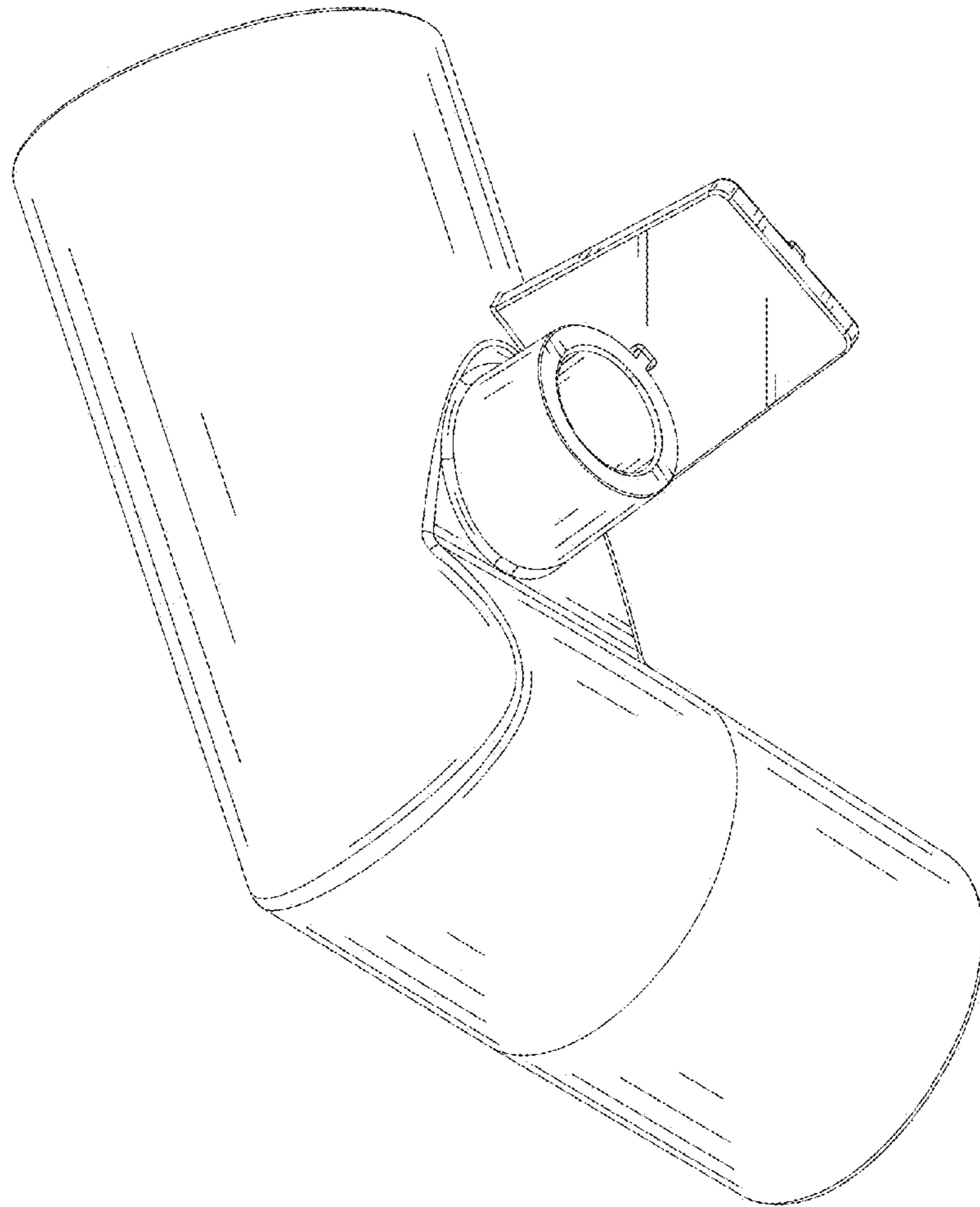
## U.S. PATENT DOCUMENTS

D637,283	S *	5/2011	Selvarajan et al. ....	D24/110.1
D638,931	S	5/2011	Graham et al.	
D652,913	S *	1/2012	Selvarajan et al. ....	D24/110.1
2008/0277929	A1 *	11/2008	Bucher et al. ....	285/317
2009/0282896	A1	11/2009	Tappehorn et al.	
2010/0314869	A1 *	12/2010	Kuo .....	285/321
2011/0285126	A1 *	11/2011	Jahan .....	285/305

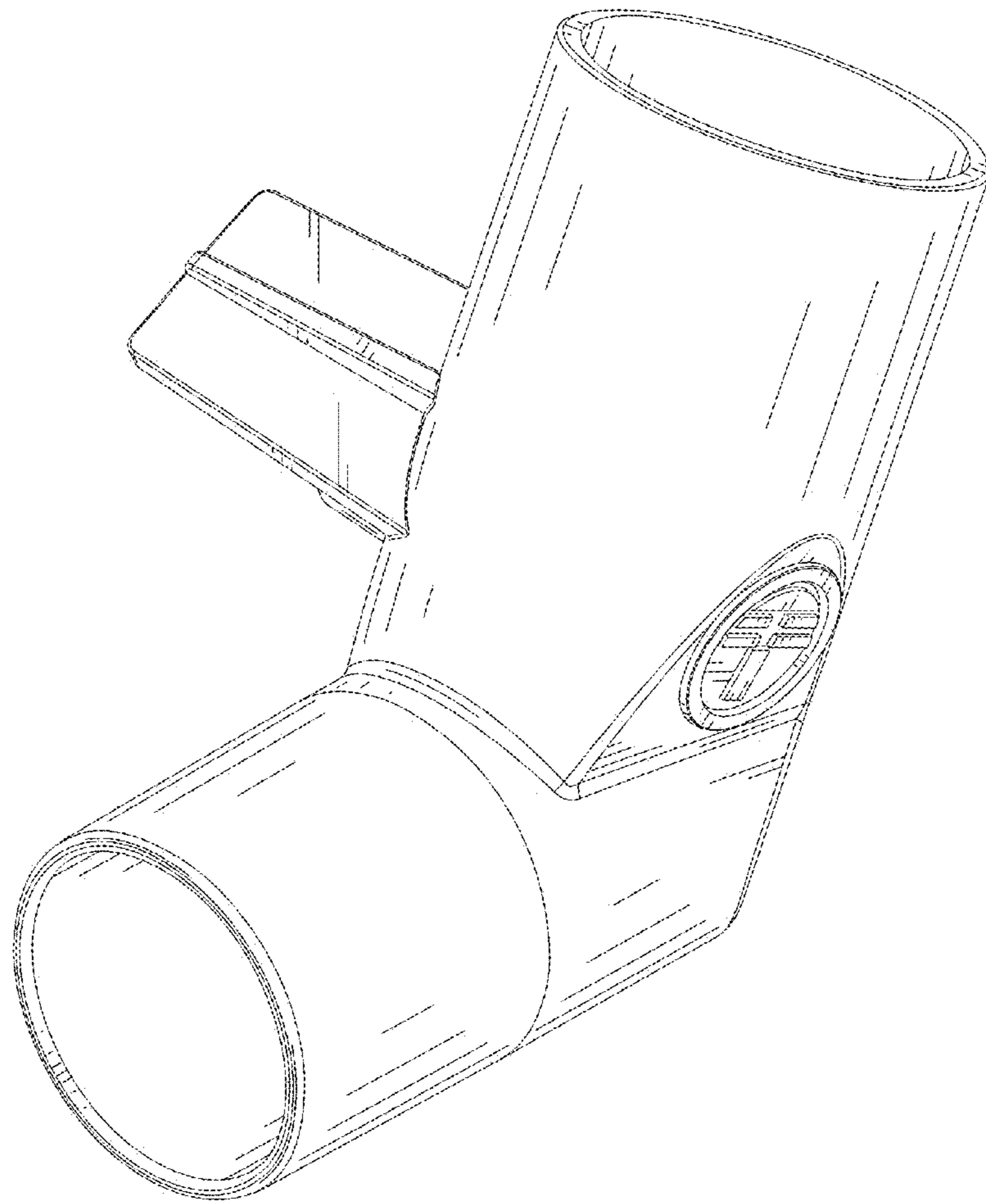
## FOREIGN PATENT DOCUMENTS

DE	10 2008 024 123	B3	11/2009
EP	1 374 940	A2	1/2004
GB	2 272 296	A	5/1994
WO	2004108218	A1	12/2004

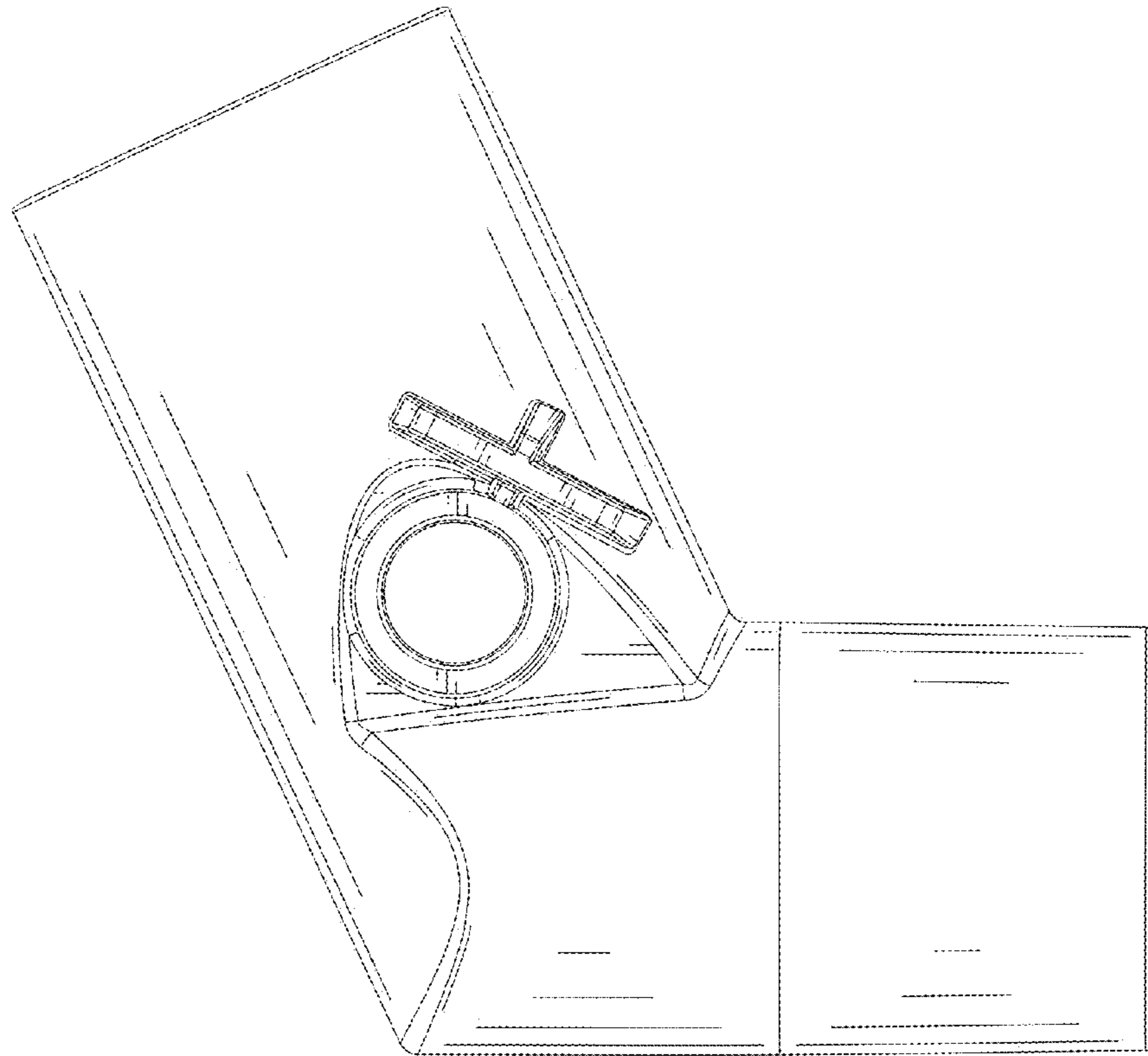
\* cited by examiner



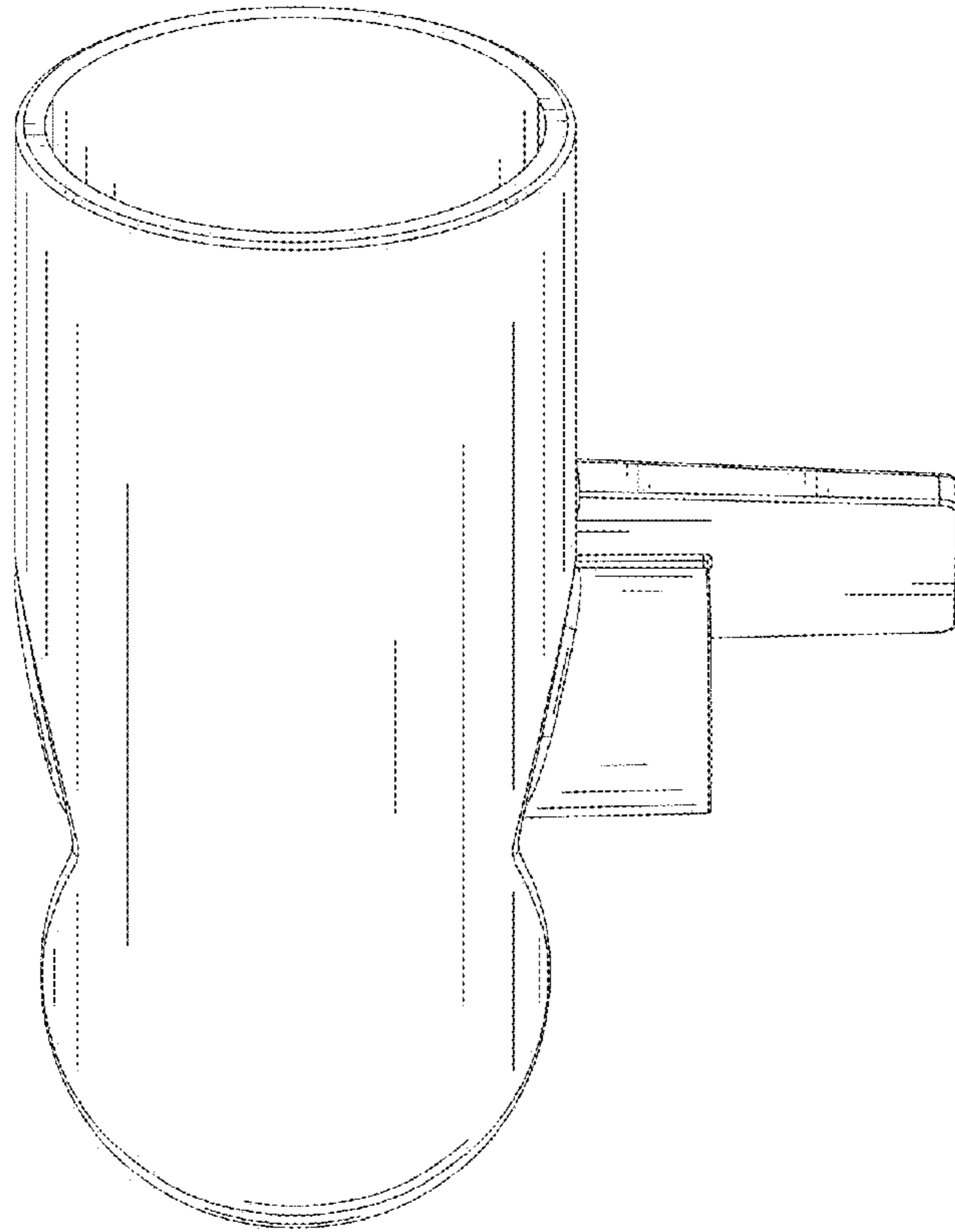
**FIG. 1**



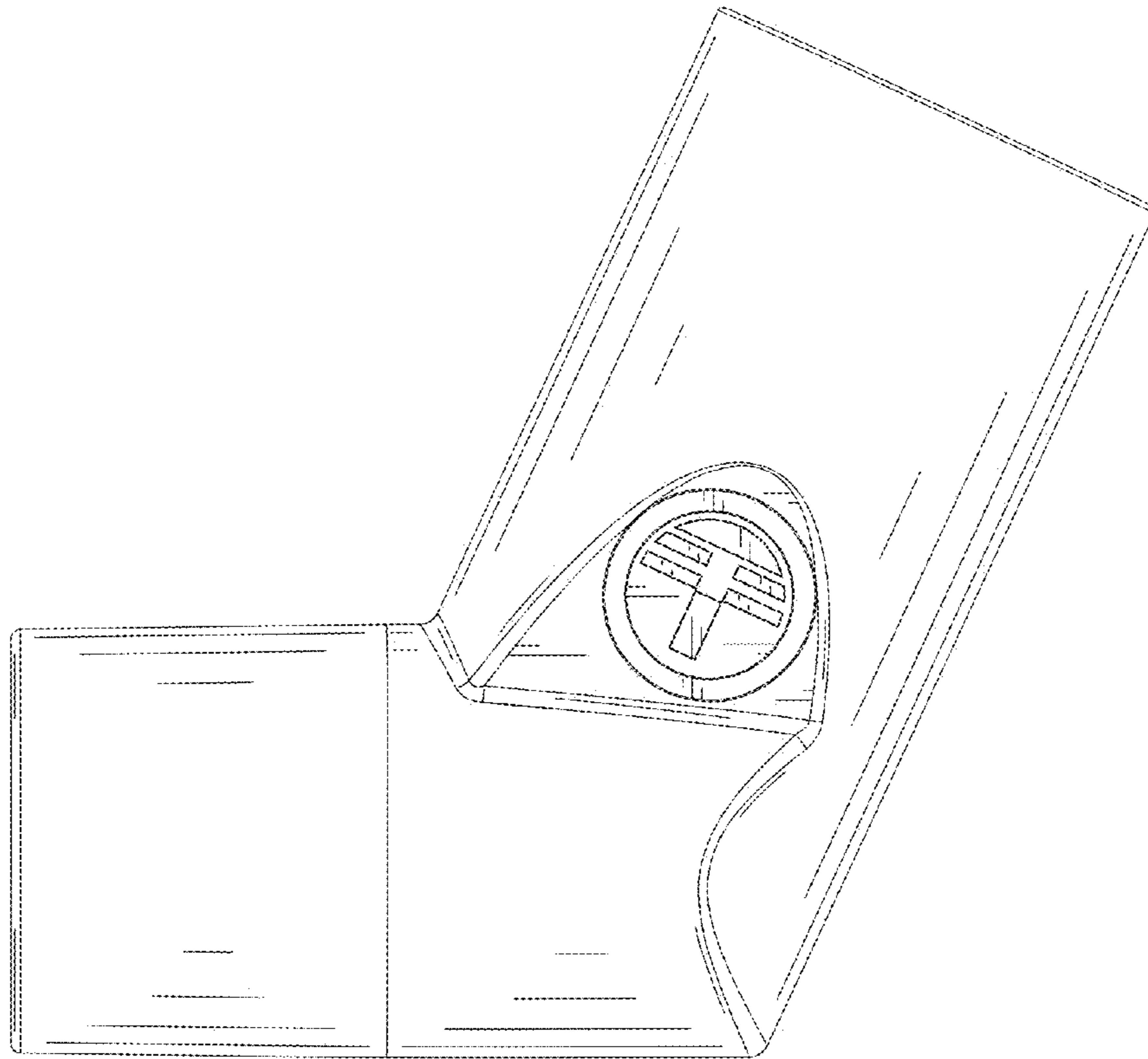
**FIG. 2**



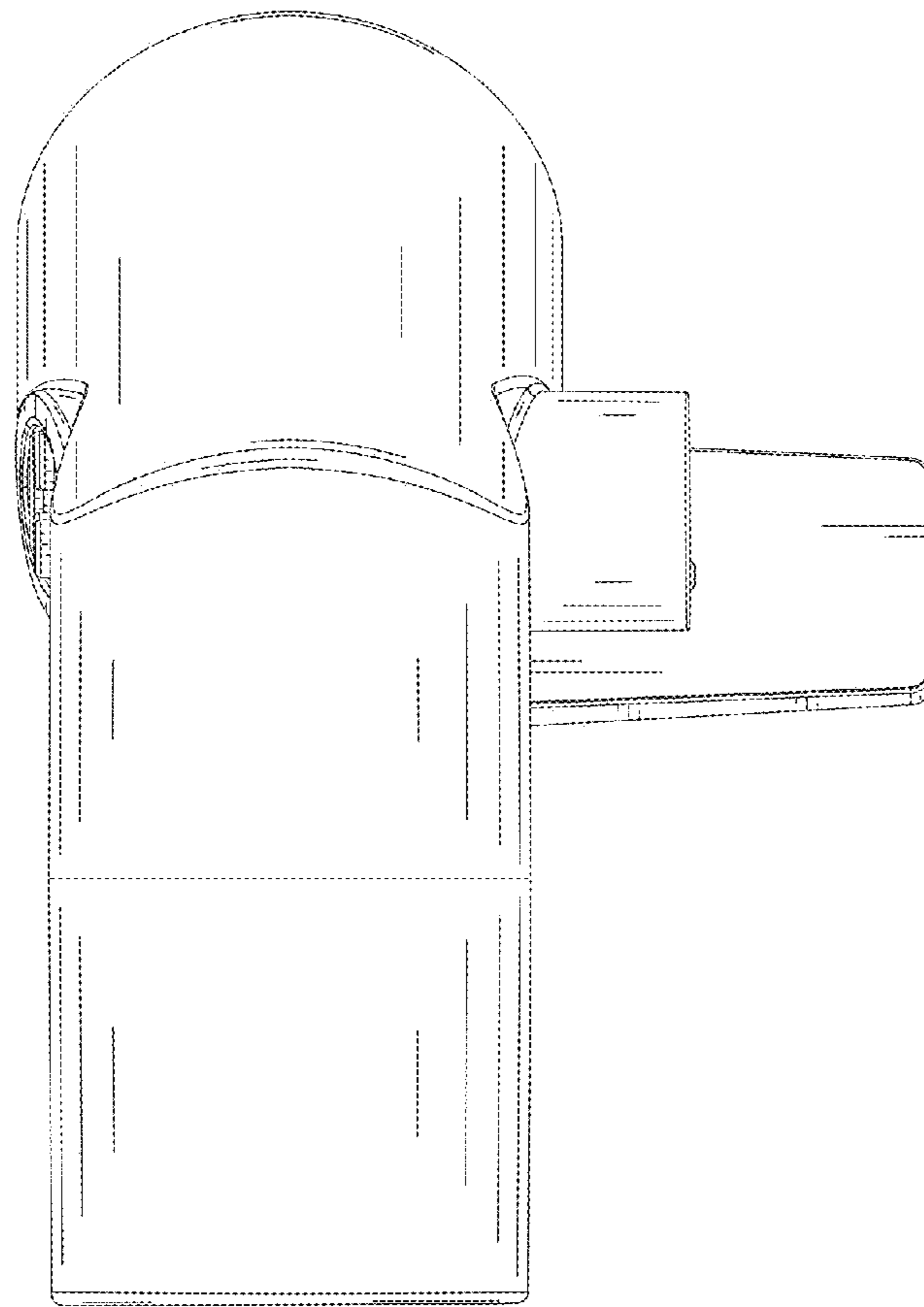
**FIG. 3**



**FIG. 4**



**FIG. 5**



**FIG. 6**