



US00D672457S

(12) **United States Design Patent**  
**Foley et al.**

(10) **Patent No.:** **US D672,457 S**  
(45) **Date of Patent:** **\*\* Dec. 11, 2012**

(54) **SURGICAL BOWL**

(56)

**References Cited**

- (75) Inventors: **Brian Foley**, Barrington, IL (US);  
**XingQuan (Peter) Ren**, Chicago, IL (US)
- (73) Assignee: **Medline Industries, Inc.**, Mundelein, IL (US)
- (\*\*) Term: **14 Years**
- (21) Appl. No.: **29/430,173**
- (22) Filed: **Aug. 22, 2012**

U.S. PATENT DOCUMENTS

D287,404	S	*	12/1986	Johansson et al.	.....	D24/121
D397,295	S	*	8/1998	Shelton-Ferrell	.....	D24/224
D421,129	S	*	2/2000	Haynes	.....	D24/224
D433,130	S	*	10/2000	Cude et al.	.....	D24/121
6,691,946	B2	*	2/2004	Dannecker et al.	.....	242/588.6
D490,707	S	*	6/2004	Mataya	.....	D24/224
D505,225	S	*	5/2005	Pavic	.....	D27/125
D544,669	S	*	6/2007	Casteel et al.	.....	D32/53
D568,989	S	*	5/2008	Kammer et al.	.....	D24/123
D569,970	S	*	5/2008	Kammer et al.	.....	D24/123
D578,654	S	*	10/2008	Chianea	.....	D24/224
D597,203	S	*	7/2009	Tauer	.....	D24/121
D605,754	S	*	12/2009	Nelson et al.	.....	D24/121

\* cited by examiner

**Related U.S. Application Data**

- (62) Division of application No. 29/363,403, filed on Jun. 9, 2010, now Pat. No. Des. 668,331.
- (51) **LOC (9) Cl.** ..... **24-04**
- (52) **U.S. Cl.** ..... **D24/123**
- (58) **Field of Classification Search** ..... D24/121-123, D24/117, 224; D23/276, 295, 302, 274, D23/309, 200; 4/450-460, 144.1-144.4, 4/DIG. 5; 600/573, 574; 604/329, 317-325, 604/334; D27/125; 242/588.6; D32/53

See application file for complete search history.

*Primary Examiner* — David Muller

(74) *Attorney, Agent, or Firm* — David S. Noskowicz

(57)

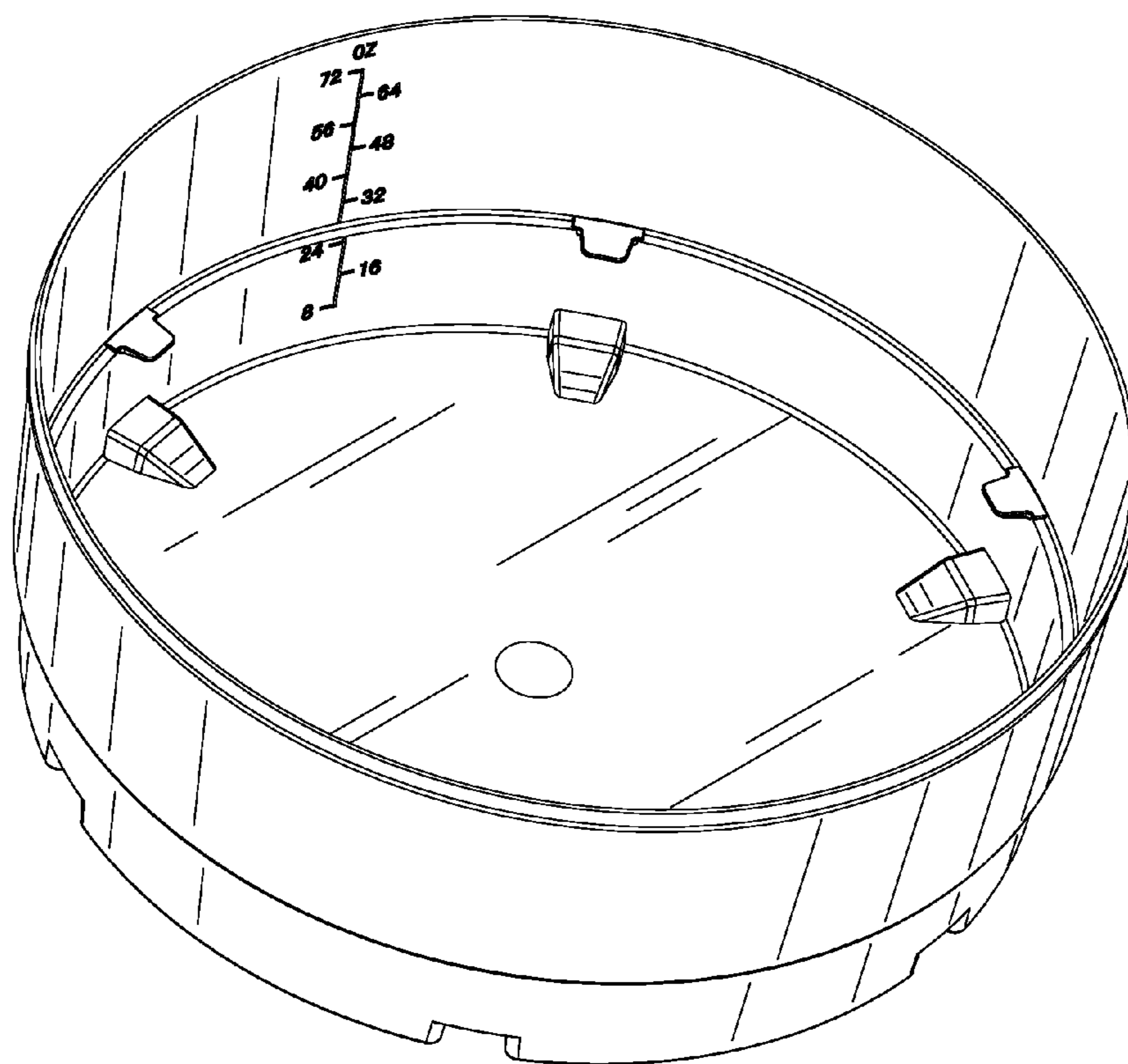
**CLAIM**

The ornamental design for a surgical bowl, as shown and described.

**DESCRIPTION**

FIG. 1 is a first perspective view of a surgical bowl.  
 FIG. 2 is a second perspective view thereof.  
 FIG. 3 is a top view thereof.  
 FIG. 4 is a bottom view thereof.  
 FIG. 5 is a first side view thereof; and,  
 FIG. 6 is a second side view thereof.

**1 Claim, 5 Drawing Sheets**



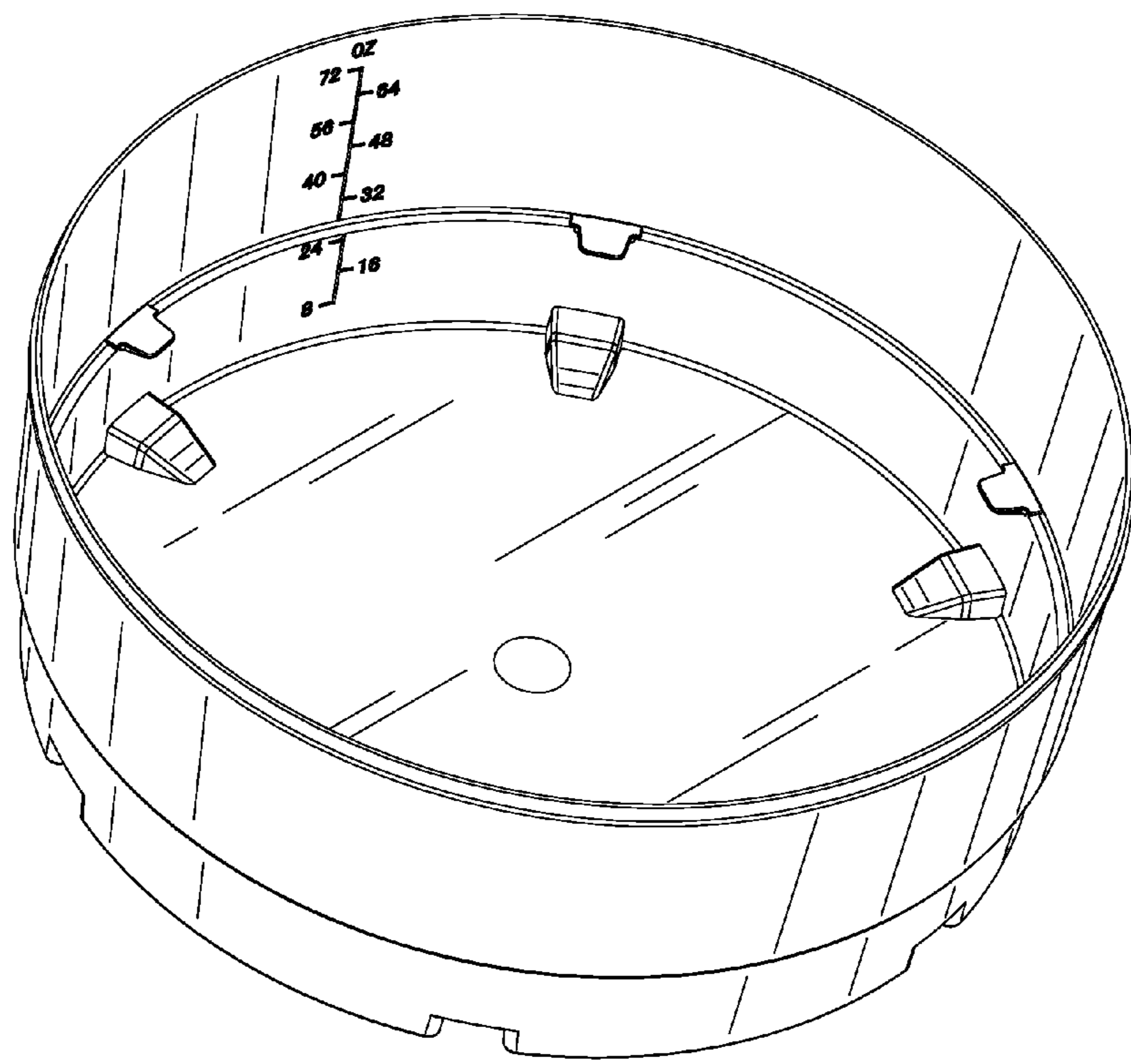


FIG. 1

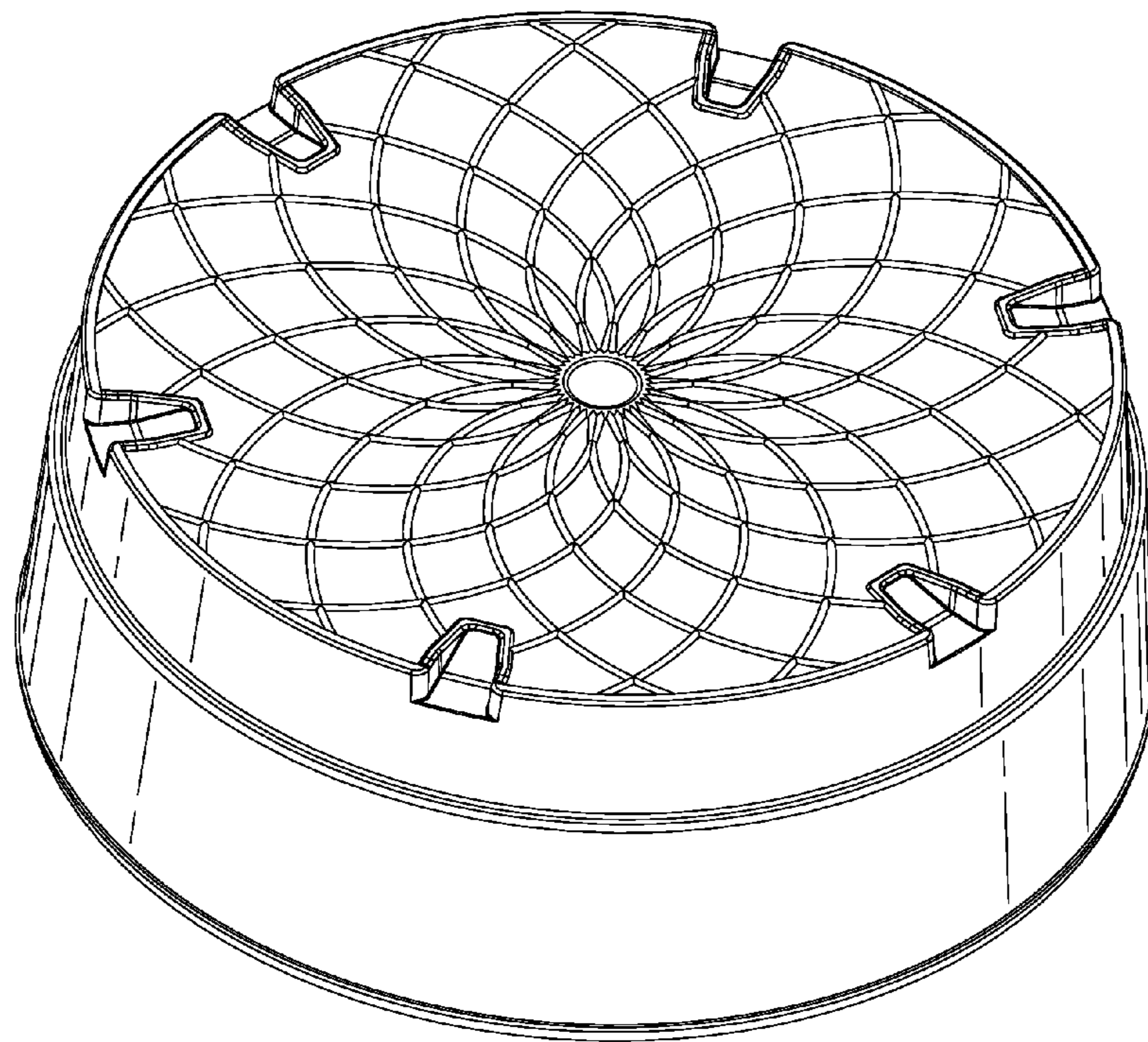


FIG. 2

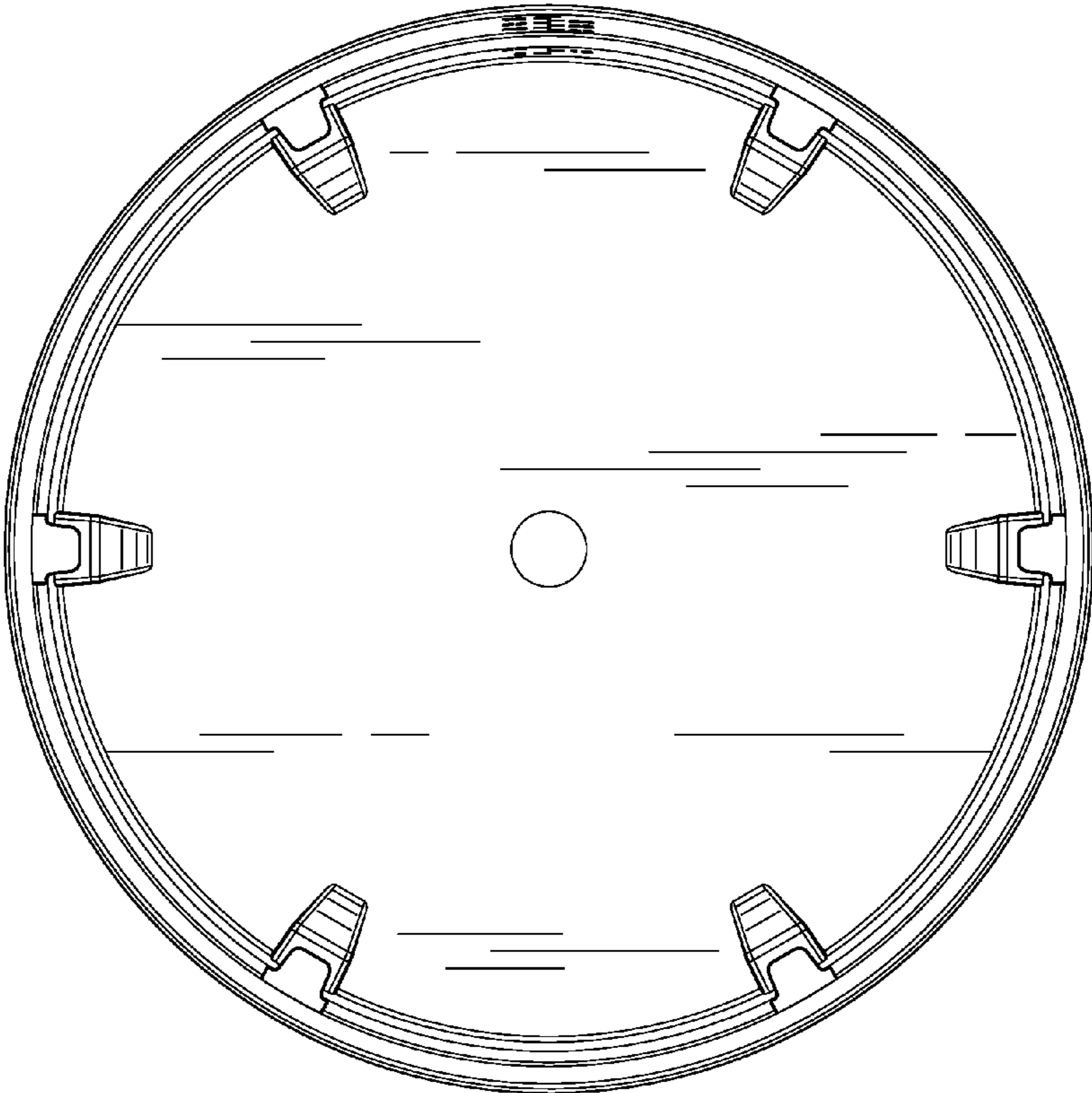


FIG. 3



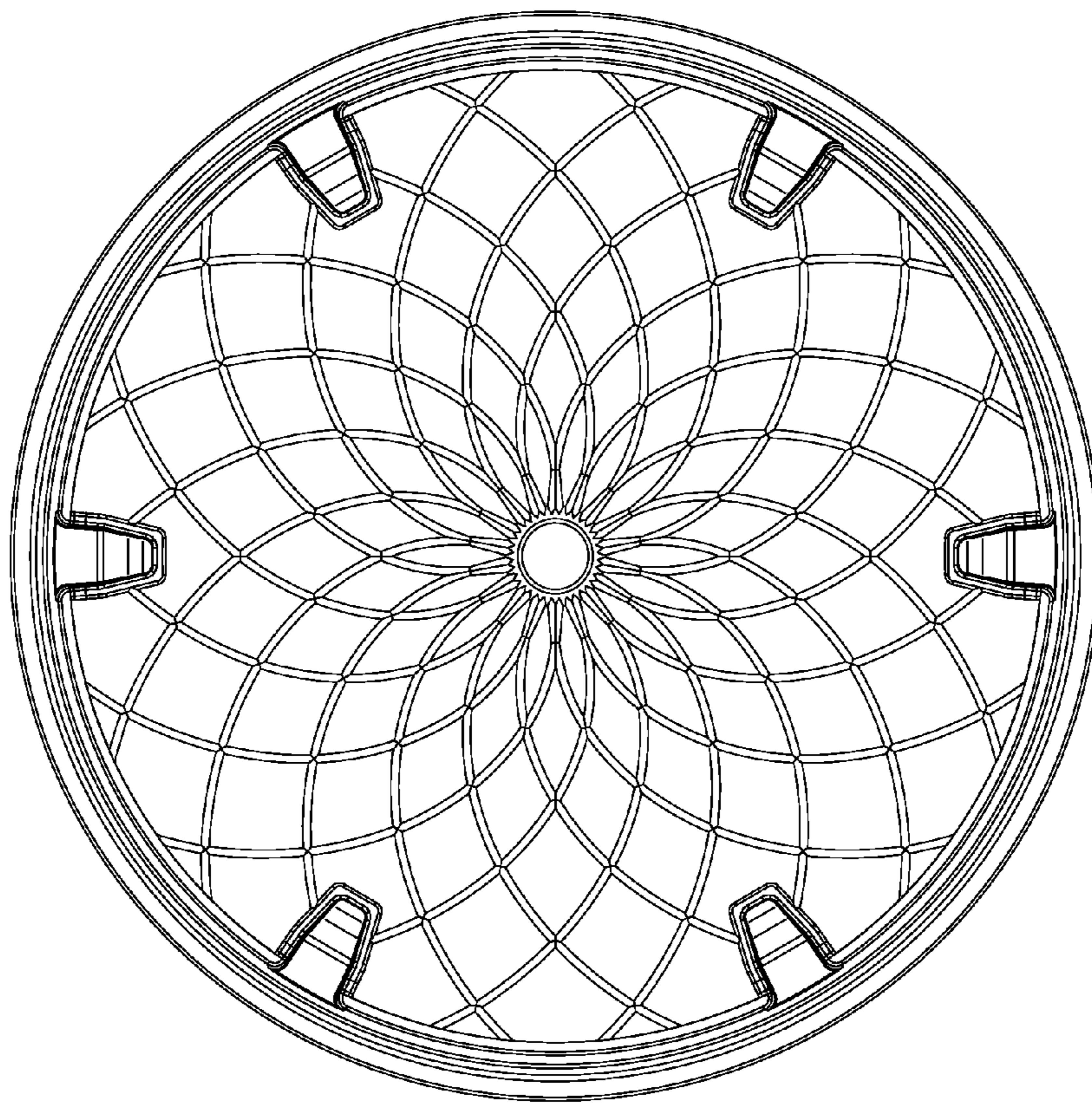


FIG. 4

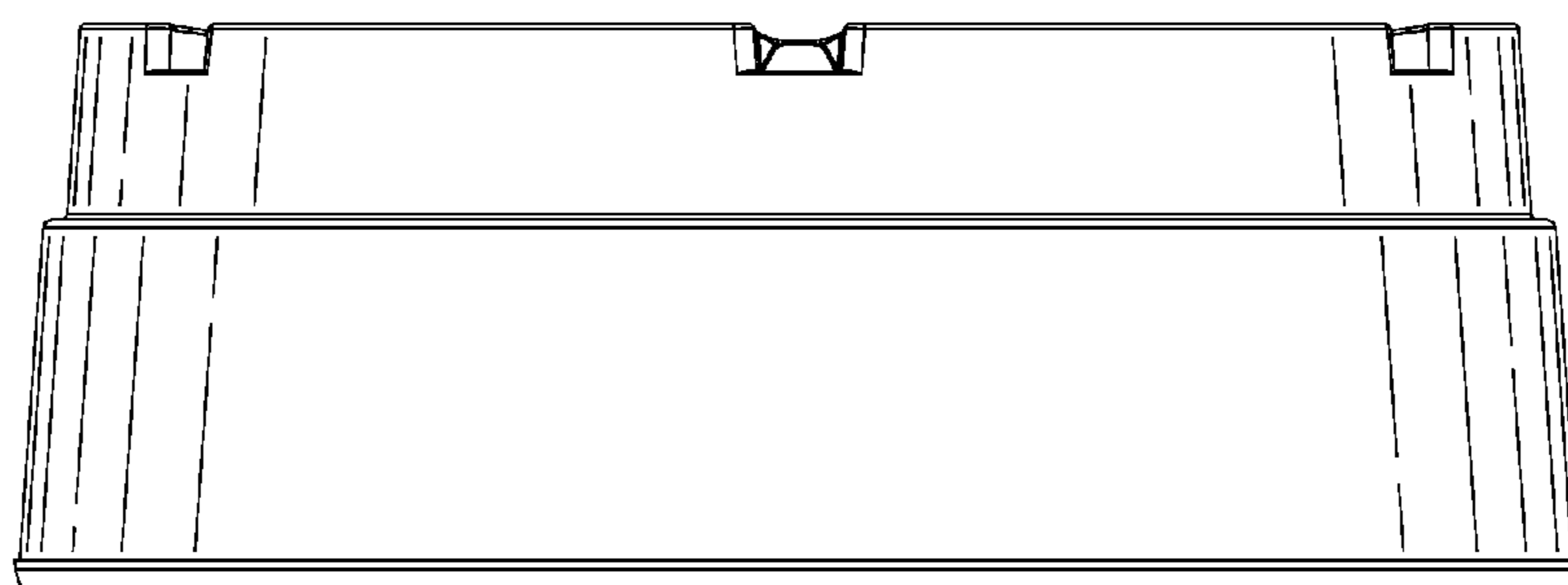


FIG. 5

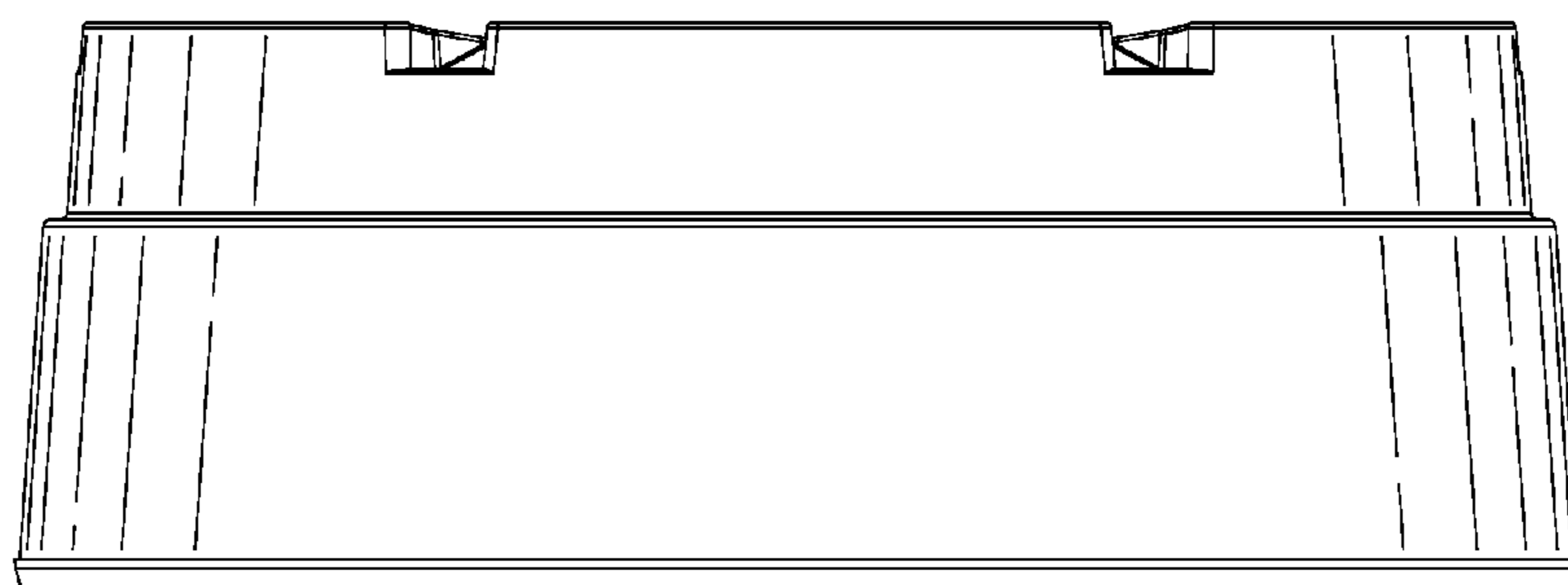


FIG. 6