



US00D672456S

(12) **United States Design Patent**
Lee-Sepsick

(10) **Patent No.:** **US D672,456 S**

(45) **Date of Patent:** **** Dec. 11, 2012**

(54) **DEVICE FOR MIXING FLUIDS**

(75) Inventor: **Kathy Lee-Sepsick**, Suwanee, GA (US)

(73) Assignee: **Femasys Inc.**, Suwanee, GA (US)

(**) Term: **14 Years**

(21) Appl. No.: **29/398,662**

(22) Filed: **Aug. 3, 2011**

(51) **LOC (9) Cl.** **24-02**

(52) **U.S. Cl.** **D24/112**

(58) **Field of Classification Search** D24/112-114,
D24/133, 186, 130, 127; 606/181, 185; 604/164.13,
604/117, 167, 164.01, 528, 264, 184, 187;
600/101, 139, 143; 128/200.24, 207.14,
128/207.15

See application file for complete search history.

(56) **References Cited**

U.S. PATENT DOCUMENTS

5,690,663	A	*	11/1997	Stephens	606/185
D512,147	S	*	11/2005	Barker	D24/133
D544,602	S	*	6/2007	Hughett et al.	24/114
D545,433	S	*	6/2007	Messerly et al.	D24/186
D556,320	S	*	11/2007	Boclet	D24/114
D615,192	S	*	5/2010	Mudd et al.	D24/113

D622,401	S	*	8/2010	Suzuki	D24/186
D629,098	S	*	12/2010	Sonleiter et al.	D24/133
D645,139	S	*	9/2011	Sawhney et al.	D24/113
D646,386	S	*	10/2011	Miller et al.	D24/133
D647,201	S	*	10/2011	Gauthier et al.	D24/133
D660,957	S	*	5/2012	Lee-Sepsick	D24/112
D667,111	S	*	9/2012	Robinson	D24/133

* cited by examiner

Primary Examiner — David Muller

(74) *Attorney, Agent, or Firm* — Ballard Spahr LLP

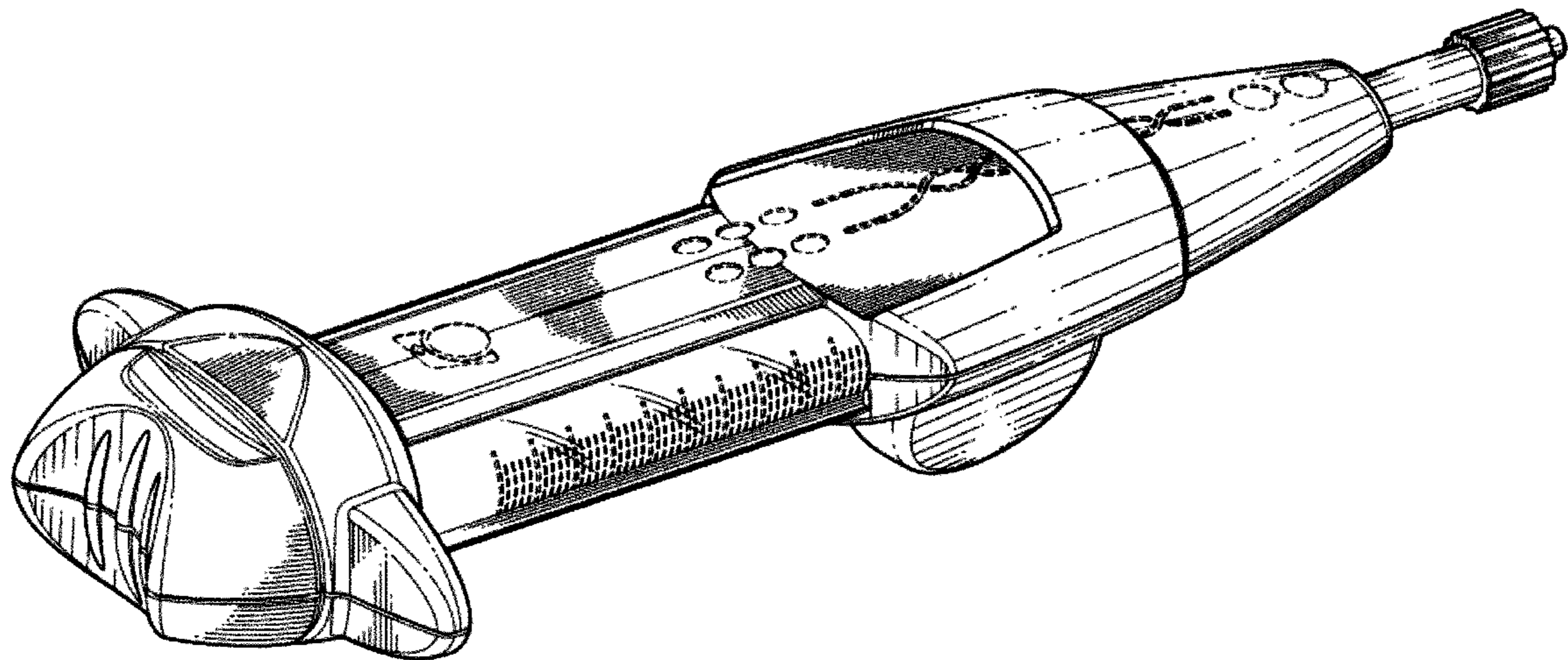
(57) **CLAIM**

The ornamental design for a device for mixing fluids, as shown and described.

DESCRIPTION

FIG. 1 is a perspective view of a device for mixing fluids of the present invention;
FIG. 2 is a right side elevation view thereof;
FIG. 3 is a left side elevation view thereof;
FIG. 4 is a front elevation view thereof;
FIG. 5 is a rear elevation view thereof;
FIG. 6 is a top plan view thereof;
FIG. 7 is a bottom plan view thereof; and,
FIG. 8 is a perspective view thereof, from the front end.

1 Claim, 7 Drawing Sheets



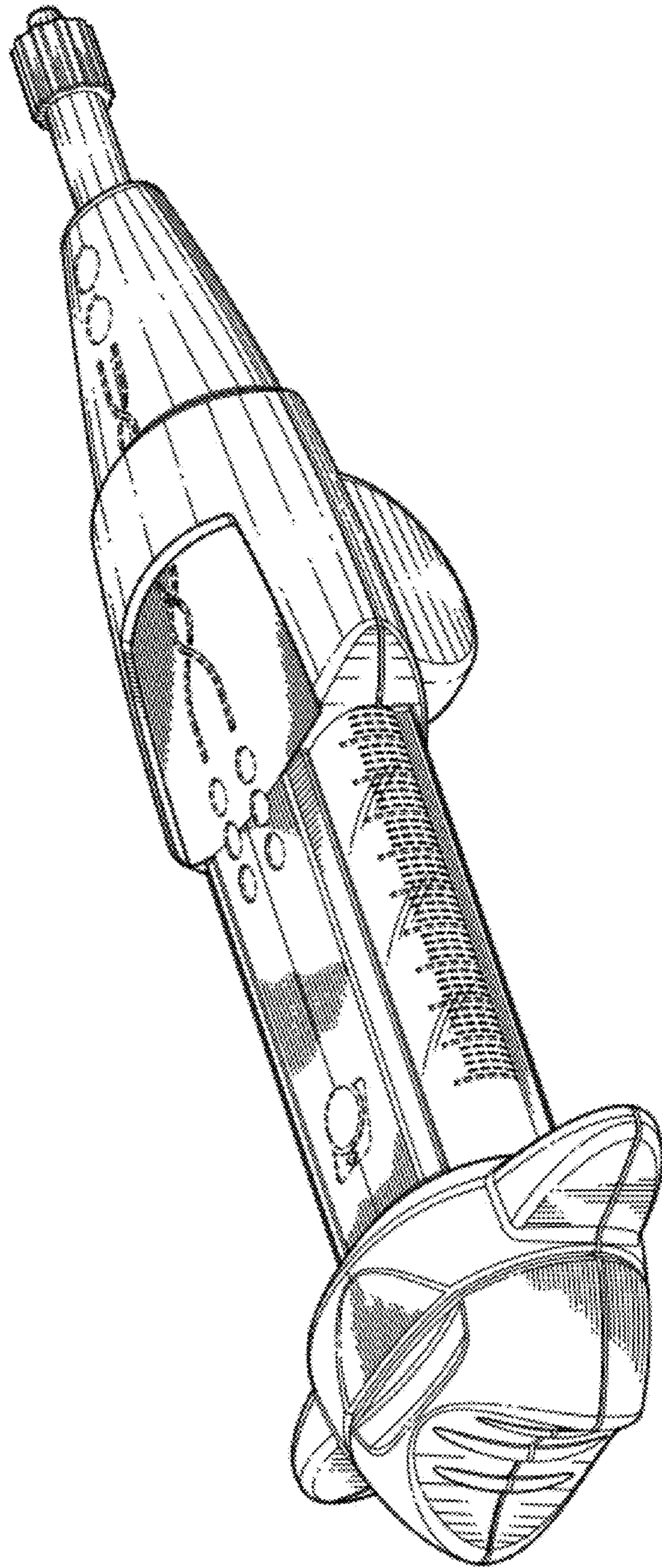


FIG. 1

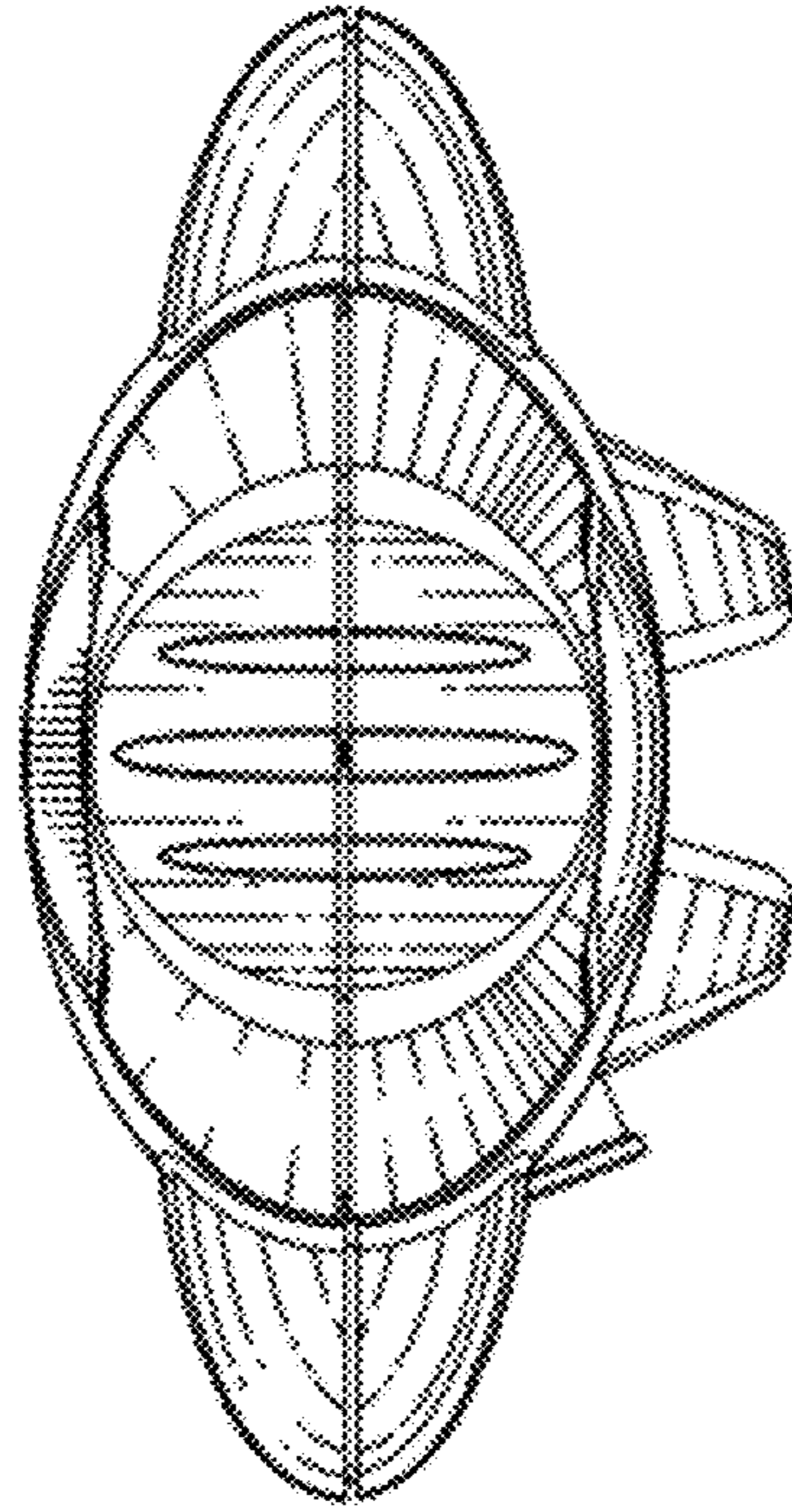


FIG. 3

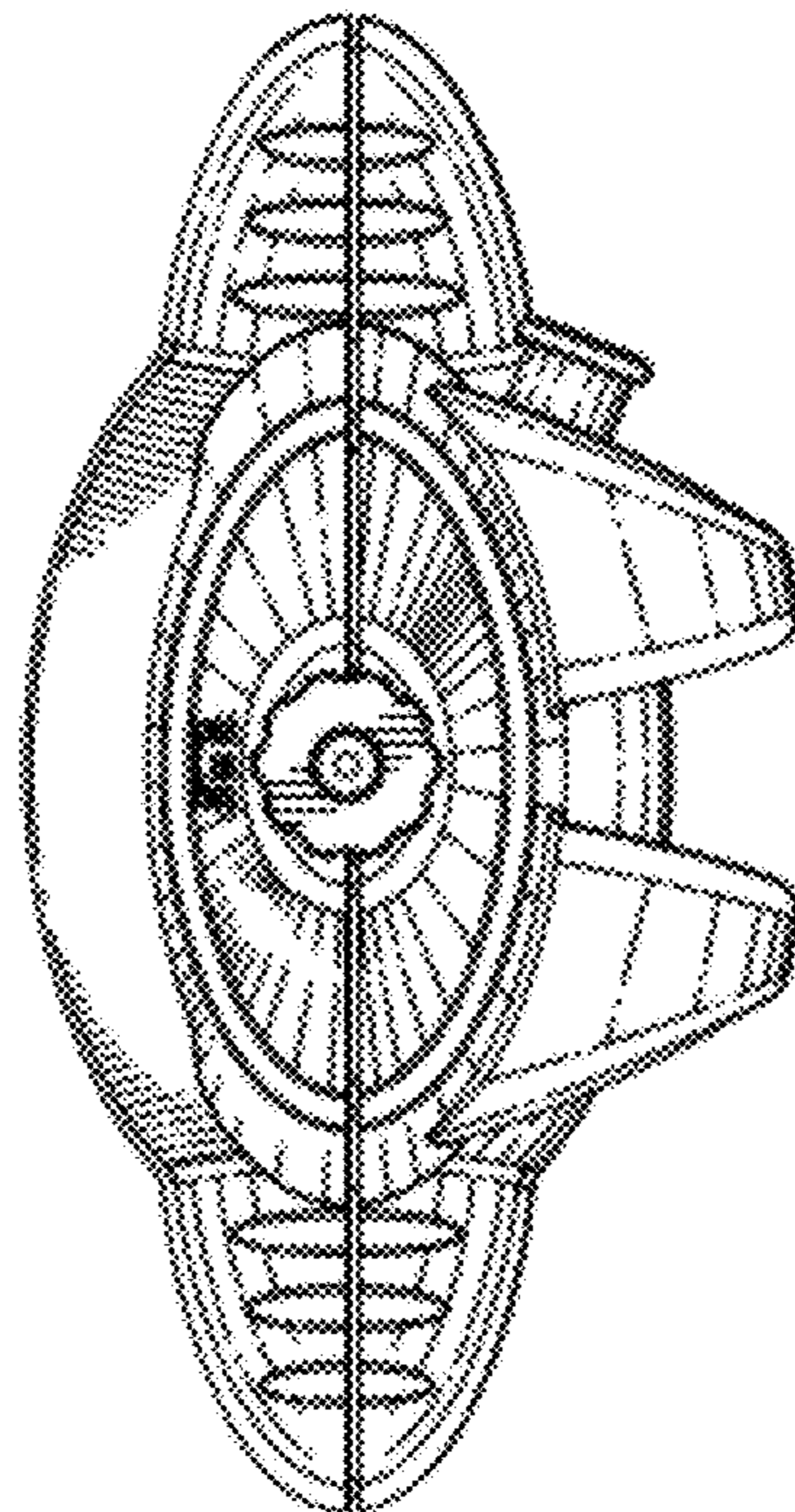


FIG. 2

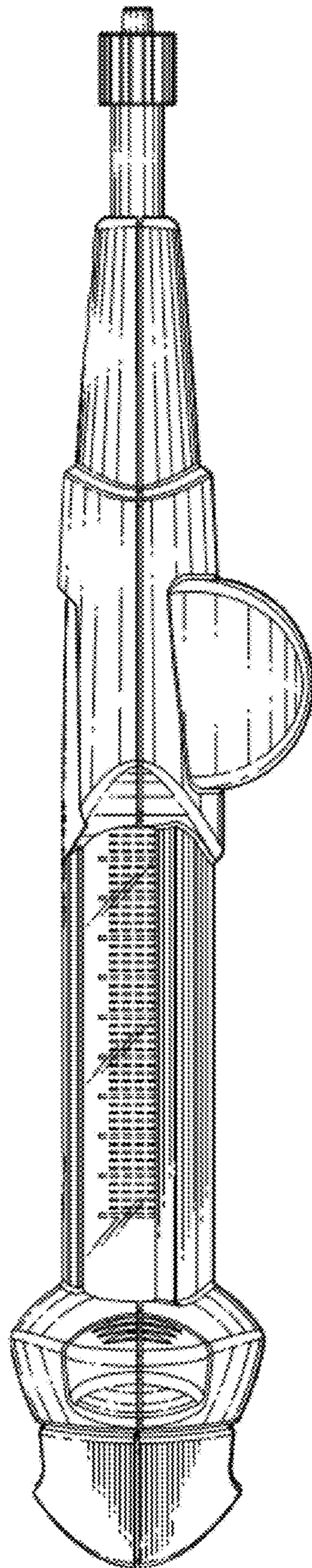


FIG. 4

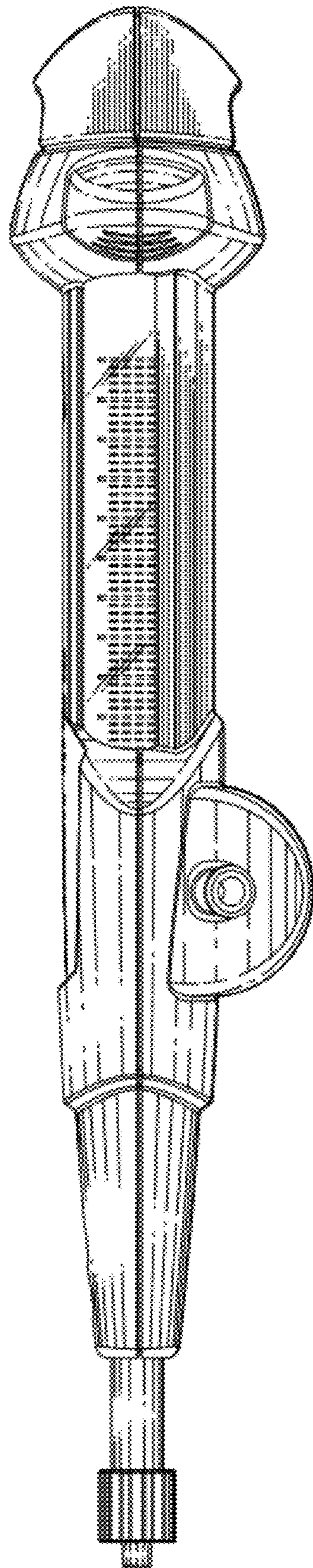


FIG. 5

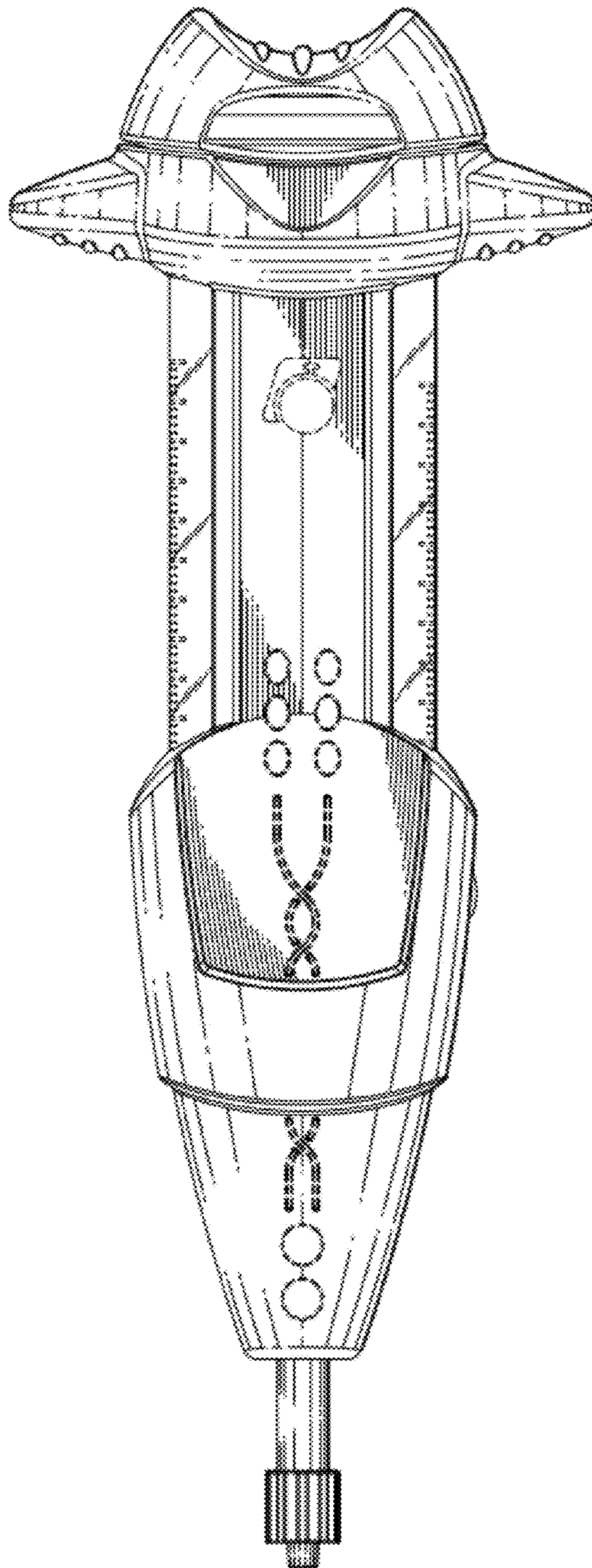


FIG. 6

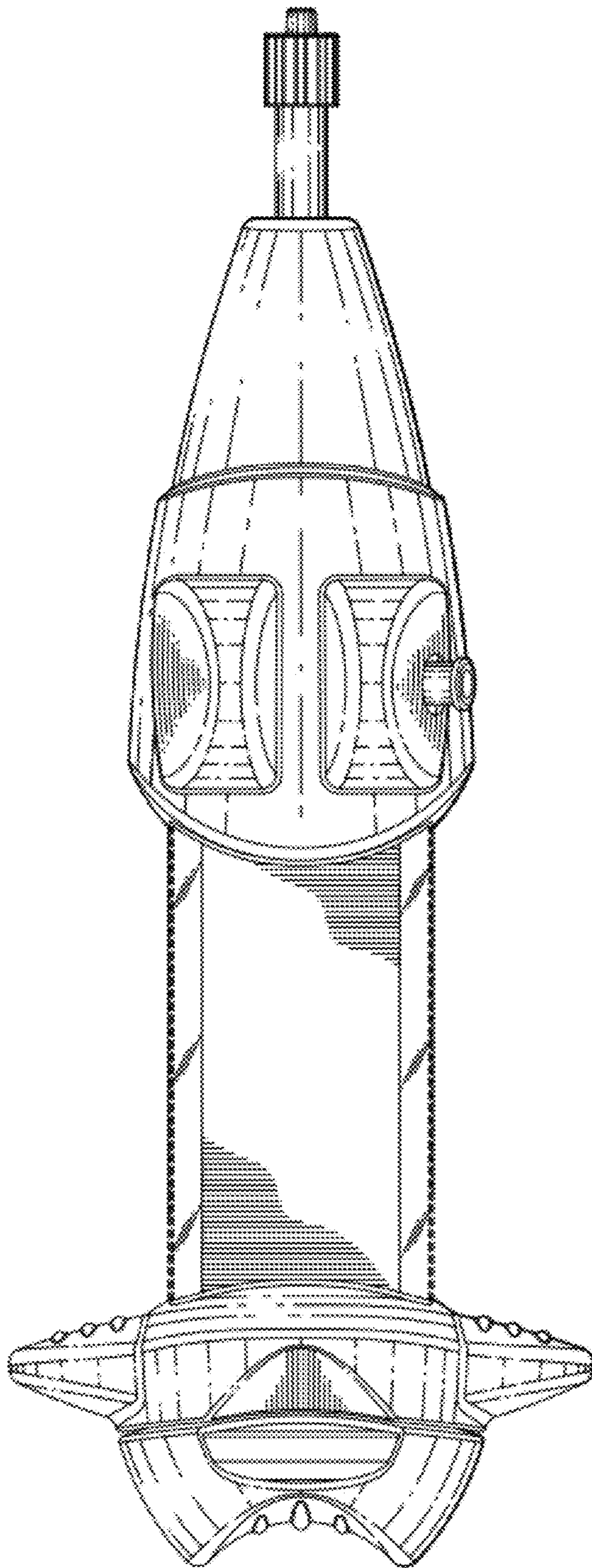


FIG. 7

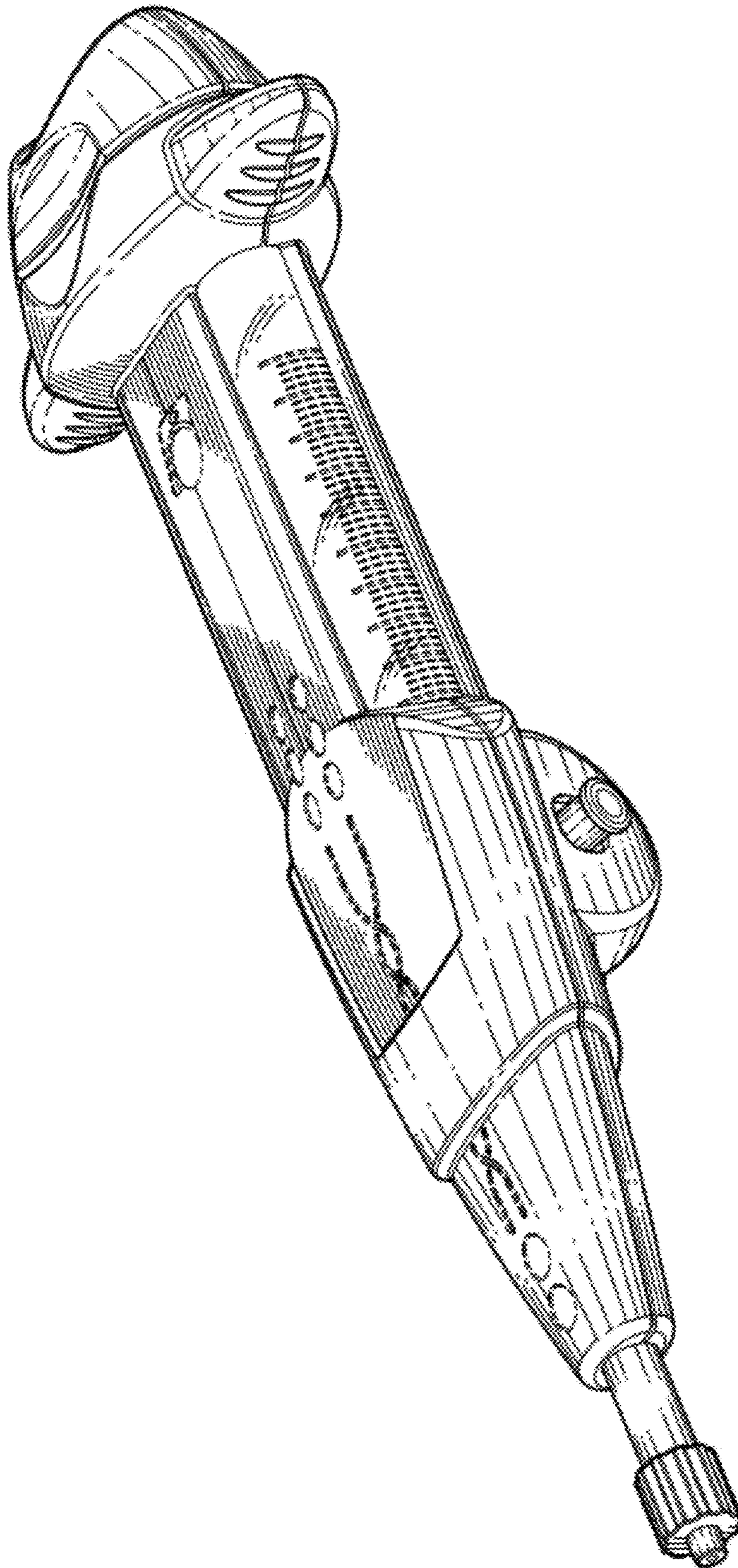


FIG. 8