



US00D672455S

(12) **United States Design Patent**
Beck

(10) **Patent No.:** **US D672,455 S**

(45) **Date of Patent:** **** Dec. 11, 2012**

(54) **FLUID DELIVERY CASSETTE**

(75) Inventor: **Kent Beck**, Layton, UT (US)

(73) Assignee: **ZEVEX, Inc.**, Salt Lake City, UT (US)

(**) Term: **14 Years**

(21) Appl. No.: **29/376,123**

(22) Filed: **Oct. 1, 2010**

(51) **LOC (9) Cl.** **24-02**

(52) **U.S. Cl.** **D24/111**

(58) **Field of Classification Search** D24/108,
D24/111, 128-129; 128/DIG. 12; 417/477.1-477.2,
417/477.4-477.5; 604/67, 131, 151-154,
604/246, 249-250

See application file for complete search history.

(56) **References Cited**

U.S. PATENT DOCUMENTS

584,091 A	6/1897	Leidich	
1,238,521 A	8/1917	Janish, Jr.	
2,471,623 A	5/1949	Hubbell	
2,518,165 A	8/1950	Millard	
2,858,095 A	10/1958	Harris et al.	
2,899,907 A	8/1959	Becher	
2,999,499 A	11/1961	Willet	
3,137,240 A *	6/1964	Hunt	417/477.1
3,213,882 A	10/1965	Beatty	
3,329,391 A	7/1967	Deane	
D208,753 S	9/1967	Curry	
3,497,175 A	2/1970	Koland	
3,707,972 A	1/1973	Villari et al.	
3,736,930 A	6/1973	Georgi	
3,768,934 A	10/1973	Magerle	

(Continued)

FOREIGN PATENT DOCUMENTS

DE 2447005 10/1974

(Continued)

Primary Examiner — Wan Laymon

(74) *Attorney, Agent, or Firm* — Hodgson Russ LLP

(57) **CLAIM**

The ornamental design for a fluid delivery cassette, as shown and described.

DESCRIPTION

FIG. 1 shows a left upper perspective view of a fluid delivery cassette made in accordance with the design of the present invention;

FIG. 2 shows a right upper perspective view of a fluid delivery cassette made in accordance with the design of the present invention;

FIG. 3 shows a bottom perspective view of a fluid delivery cassette made in accordance with the design of the present invention;

FIG. 4 shows a front view of a fluid delivery cassette made in accordance with the design of the present invention;

FIG. 5 shows a back view of a fluid delivery cassette made in accordance with the design of the present invention;

FIG. 6 shows a top view of a fluid delivery cassette made in accordance with the design of the present invention;

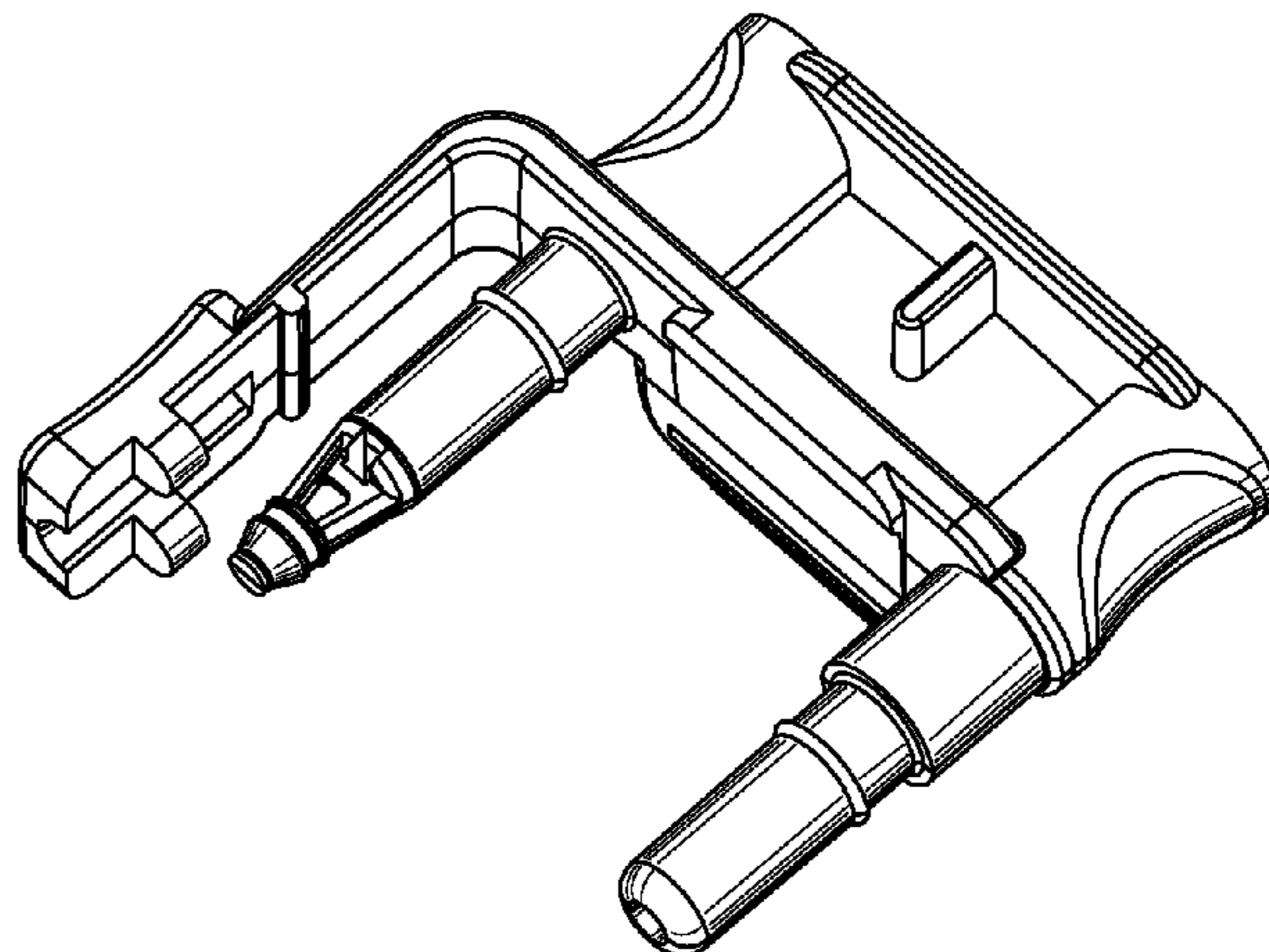
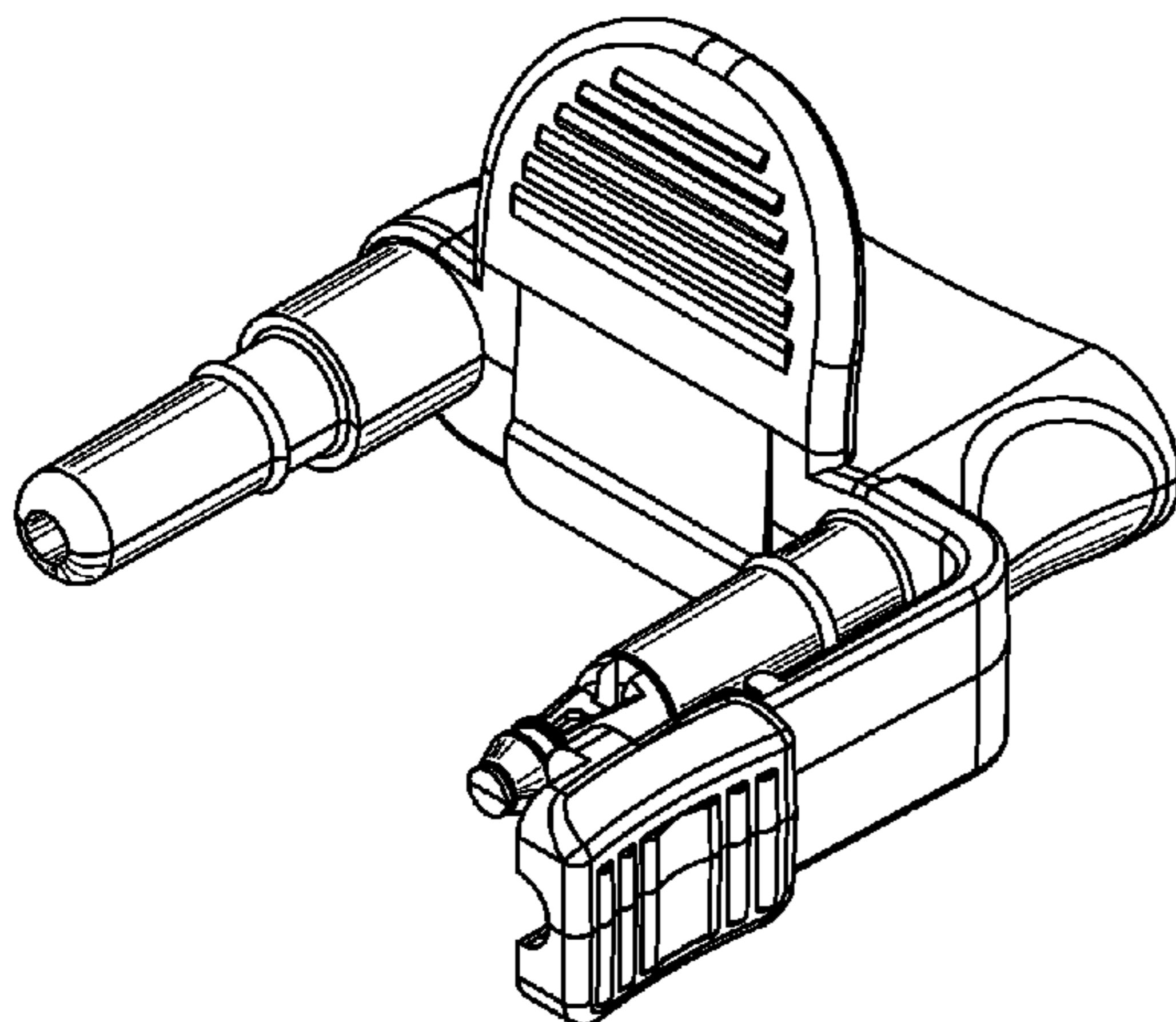
FIG. 7 shows a bottom view of a fluid delivery cassette made in accordance with the design of the present invention;

FIG. 8 shows a right side view of a fluid delivery cassette made in accordance with the design of the present invention; and,

FIG. 9 shows a left side view of a fluid delivery cassette made in accordance with the design of the present invention.

The broken lines shown in FIG. 5 represent portions of the fluid delivery cassette that form no part of the claimed design.

1 Claim, 3 Drawing Sheets



US D672,455 S

U.S. PATENT DOCUMENTS							
3,790,313	A	2/1974	Magerle	5,438,868	A	8/1995	Holden et al.
3,985,140	A	10/1976	Harris	5,456,887	A	10/1995	Calvo et al.
3,998,364	A	12/1976	Hollander	5,474,544	A	12/1995	Lynn
4,037,596	A	7/1977	LeFevre et al.	5,482,446	A	1/1996	Williamson et al.
4,063,555	A	12/1977	Ulinder	5,514,102	A	5/1996	Winterer et al.
4,065,093	A	12/1977	Phillips	5,531,680	A	7/1996	Dumas et al.
4,106,675	A	8/1978	Taylor	5,531,713	A	7/1996	Mastronardi et al.
4,142,645	A	3/1979	Walton	5,538,405	A	7/1996	Patno et al.
4,160,383	A	7/1979	Rauschenberger	5,556,386	A	9/1996	Todd
4,187,057	A	2/1980	Xanthopoulos	D374,718	S	10/1996	Dodge et al.
4,217,993	A	8/1980	Jess et al.	5,575,631	A	11/1996	Jester
4,229,299	A	10/1980	Savitz et al.	5,578,070	A	11/1996	Utterberg
4,230,151	A	10/1980	Jonsson	5,630,710	A	5/1997	Tune et al.
4,236,880	A	12/1980	Archibald	5,657,000	A	8/1997	Ellingboe
4,300,571	A	11/1981	Waldbillig	5,683,233	A	11/1997	Moubayed et al.
4,381,591	A	5/1983	Barger et al.	D388,876	S	1/1998	Sampson
4,382,453	A	5/1983	Bujan et al.	D389,228	S	1/1998	Winterer et al.
4,425,116	A	1/1984	Bilstad et al.	5,704,584	A	1/1998	Winterer et al.
4,430,073	A	2/1984	Bemis et al.	5,720,721	A	2/1998	Dumas et al.
4,447,191	A	5/1984	Bilstad et al.	5,733,061	A	3/1998	Child
4,453,295	A	6/1984	Laszczower	5,746,756	A	5/1998	Bromfield et al.
4,469,481	A	9/1984	Kobayashi	5,789,675	A	8/1998	Blaine et al.
4,498,843	A	2/1985	Schneider et al.	5,791,881	A	8/1998	Moubayed et al.
4,524,802	A	6/1985	Lawrence et al.	5,807,312	A	9/1998	Dzwonkiewicz
4,527,588	A	7/1985	Tseo et al.	5,810,323	A	9/1998	Winterer et al.
4,529,401	A	7/1985	Leslie et al.	5,826,621	A	10/1998	Jemmott
4,559,045	A	12/1985	Danby et al.	5,924,852	A	7/1999	Moubayed et al.
4,579,553	A	4/1986	Urquhart et al.	5,935,106	A	8/1999	Olsen
D284,221	S	6/1986	Kerkut	5,971,357	A	10/1999	Denton et al.
4,596,557	A	6/1986	Pexa	5,996,650	A	12/1999	Phallen et al.
4,601,700	A	7/1986	Thompson et al.	6,017,326	A	1/2000	Pasqualucci
4,624,663	A	11/1986	Danby et al.	6,017,332	A	1/2000	Urrutia
4,634,092	A	1/1987	Daniell et al.	6,023,970	A	2/2000	Blaine
4,645,489	A	2/1987	Krumme et al.	6,030,359	A	2/2000	Nowosielski
4,689,043	A	8/1987	Bisha	6,092,695	A	7/2000	Loeffler
4,728,324	A	3/1988	Steigerwald et al.	6,121,739	A	9/2000	Haberlander
4,730,635	A	3/1988	Linden	6,142,979	A	11/2000	McNally et al.
4,787,406	A	11/1988	Edwards et al.	6,164,921	A	12/2000	Moubayed et al.
4,850,807	A	7/1989	Frantz	RE37,074	E	2/2001	Danby et al.
4,857,818	A	8/1989	Hobbs	6,183,447	B1	2/2001	Urrutia
4,884,013	A	11/1989	Jackson et al.	6,192,752	B1	2/2001	Blaine
4,910,682	A	3/1990	Wolff et al.	6,196,922	B1	3/2001	Hantschk et al.
4,913,401	A	4/1990	Handke	6,196,992	B1	3/2001	Keilman et al.
4,913,703	A	4/1990	Pasqualucci	6,209,538	B1	4/2001	Casper et al.
4,919,650	A	4/1990	Feingold et al.	6,261,262	B1	7/2001	Briggs et al.
4,932,938	A	6/1990	Goldberg et al.	6,328,720	B1	12/2001	McNally et al.
4,935,010	A	6/1990	Cox et al.	D455,489	S	4/2002	Beck et al.
4,960,259	A	10/1990	Sunnanvader et al.	6,371,732	B1	4/2002	Moubayed et al.
4,976,687	A	12/1990	Martin	6,398,758	B1	6/2002	Jacobsen et al.
5,017,192	A	5/1991	Dodge et al.	6,398,780	B1	6/2002	Farley et al.
5,020,562	A	6/1991	Richmond et al.	6,416,293	B1	7/2002	Bouchard et al.
5,022,422	A	6/1991	di Palma	6,461,335	B1	10/2002	Noecker
5,029,621	A	7/1991	Lewis	6,468,059	B2*	10/2002	Haser et al. 417/477.1
5,083,561	A	1/1992	Russo	6,494,864	B1	12/2002	Kerwin et al.
5,098,406	A	3/1992	Sawyer	6,506,035	B1	1/2003	Beck et al.
5,099,184	A	3/1992	Hornung et al.	6,523,414	B1	2/2003	Malmstrom et al.
5,151,019	A	9/1992	Danby et al.	6,531,708	B1	3/2003	Malmstrom et al.
5,195,960	A	3/1993	Hossain et al.	RE38,145	E	6/2003	Lynn
5,201,711	A	4/1993	Pasqualucci	6,595,950	B1	7/2003	Miles et al.
5,219,327	A	6/1993	Okada	6,623,447	B2	9/2003	Miles et al.
5,232,193	A	8/1993	Skakoon	6,636,010	B1	10/2003	Malmstrom et al.
5,238,218	A	8/1993	Mackal	6,659,976	B2	12/2003	Beck et al.
5,244,463	A	9/1993	Cordner, Jr. et al.	6,682,500	B2	1/2004	Soltanpour et al.
5,254,083	A	10/1993	Gentelia et al.	6,685,670	B2	2/2004	Miles et al.
5,254,992	A	10/1993	Keen et al.	6,749,591	B1	6/2004	McNally et al.
5,257,978	A	11/1993	Haber et al.	6,750,468	B2	6/2004	Malmstrom et al.
5,265,847	A	11/1993	Vorhis	D501,924	S	2/2005	Cise et al.
5,279,556	A	1/1994	Goi et al.	6,852,094	B2	2/2005	Beck et al.
5,312,334	A	5/1994	Hara et al.	D503,799	S	4/2005	Beck
5,336,174	A	8/1994	Daoud et al.	D503,978	S	4/2005	Beck
5,351,932	A	10/1994	Von Herrmann	D504,506	S	4/2005	Beck et al.
5,355,735	A	10/1994	Miller et al.	D505,199	S	5/2005	Beck et al.
5,370,612	A	12/1994	Maeda et al.	6,902,541	B2	6/2005	McNally et al.
5,395,320	A	3/1995	Padma et al.	6,907,788	B2	6/2005	Malmstrom et al.
5,395,351	A	3/1995	Munsch	D507,647	S	7/2005	Beck et al.
5,396,925	A	3/1995	Poli	6,923,785	B2	8/2005	Miles et al.
D357,312	S	4/1995	Riquier et al.	6,942,636	B2	9/2005	Holst et al.
5,437,642	A	8/1995	Thill et al.	6,949,376	B2	9/2005	Kluttz et al.
				6,979,311	B2	12/2005	Miles et al.

US D672,455 S

7,001,153	B2 *	2/2006	McDowell et al.	417/477.1	2007/0151346	A1	7/2007	Malmstrom et al.
7,037,302	B2	5/2006	Vaillancourt		2008/0098798	A1	5/2008	Riley
D523,553	S	6/2006	Beck et al.		2008/0103445	A1	5/2008	Blaine et al.
7,070,575	B2	7/2006	Beck et al.		2008/0119782	A1	5/2008	Steinman
7,121,143	B2	10/2006	Malmstrom et al.		2008/0134750	A1	6/2008	Riley
7,150,727	B2	12/2006	Cise et al.		2008/0208117	A1	8/2008	Steinman
D536,783	S	2/2007	Cise et al.		2009/0049919	A1	2/2009	Hills
7,207,780	B2	4/2007	Bach		2009/0149801	A1	6/2009	Crandall
7,214,038	B2 *	5/2007	Saxer et al.	417/477.2	2009/0254034	A1	10/2009	Beck
7,367,963	B2	5/2008	Cise et al.		2011/0082438	A1 *	4/2011	Beck et al. 604/151
D578,209	S *	10/2008	Schurg et al.	D24/111	2012/0083737	A1 *	4/2012	Beck 604/151
7,530,968	B2	5/2009	Gonnelli					
7,727,196	B2 *	6/2010	Neer	604/154				
8,047,819	B2 *	11/2011	Lawrence et al.	417/477.1				
2002/0169424	A1	11/2002	Miles et al.					
2004/0220542	A1	11/2004	Cise et al.					
2005/0004540	A1	1/2005	McNally					
2005/0096593	A1	5/2005	Pope et al.					
2005/0119625	A1	6/2005	Miles et al.					
2005/0209563	A1	9/2005	Hopping et al.					
2005/0277912	A1	12/2005	John					
2006/0058740	A1	3/2006	Cise					
2006/0142692	A1	6/2006	Jacobson et al.					
2007/0118078	A1	5/2007	McNally					

FOREIGN PATENT DOCUMENTS

DE	20000965	U1	1/2000
EP	0 150 666		9/1984
EP	0 276 356		8/1988
EP	0 423 978		10/1990
EP	0 483 794		10/1991
JP	05-042219		2/1993
JP	10-048759		2/1998
WO	WO 96-17636		6/1996

* cited by examiner

FIG. 1

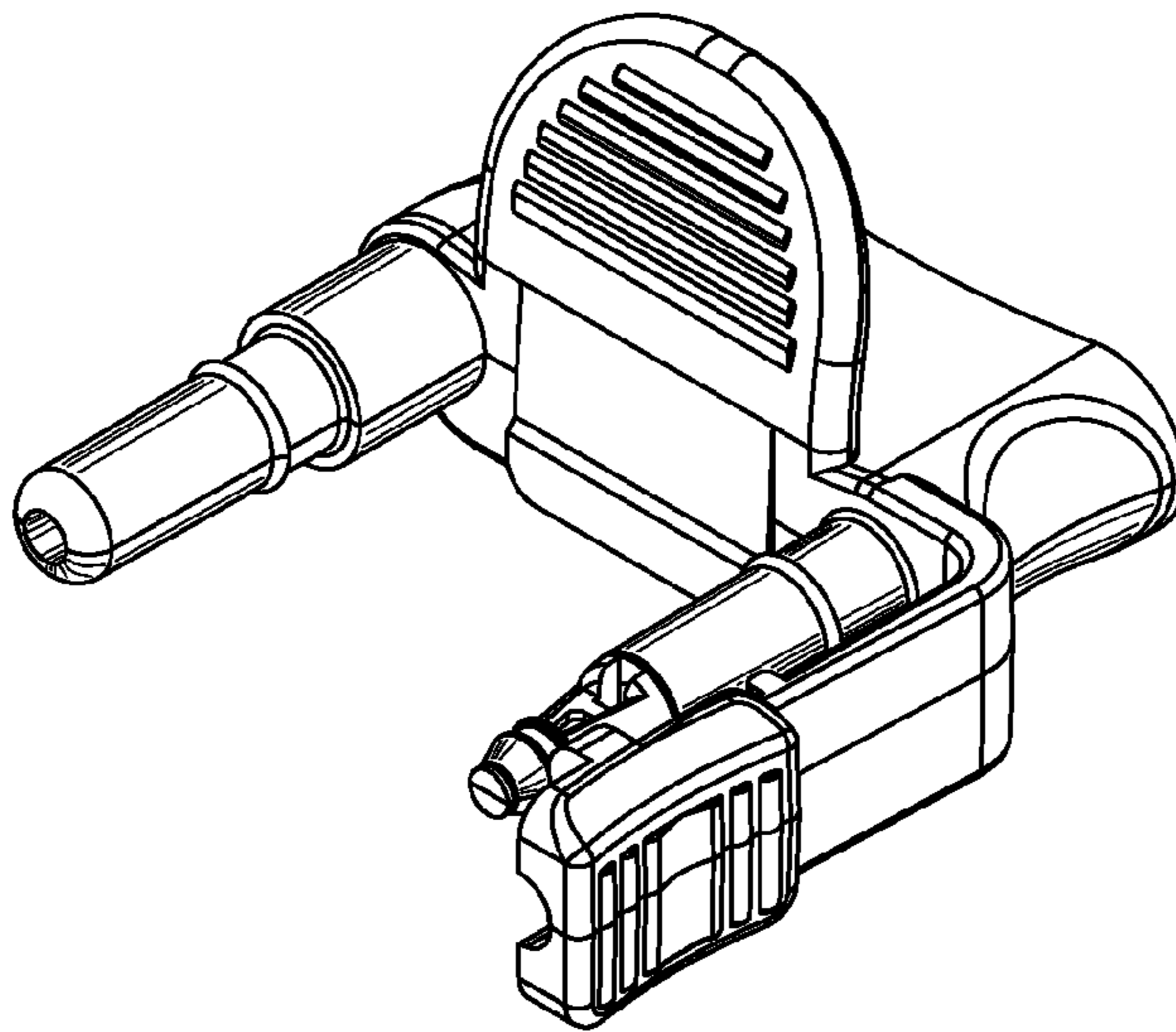


FIG. 2

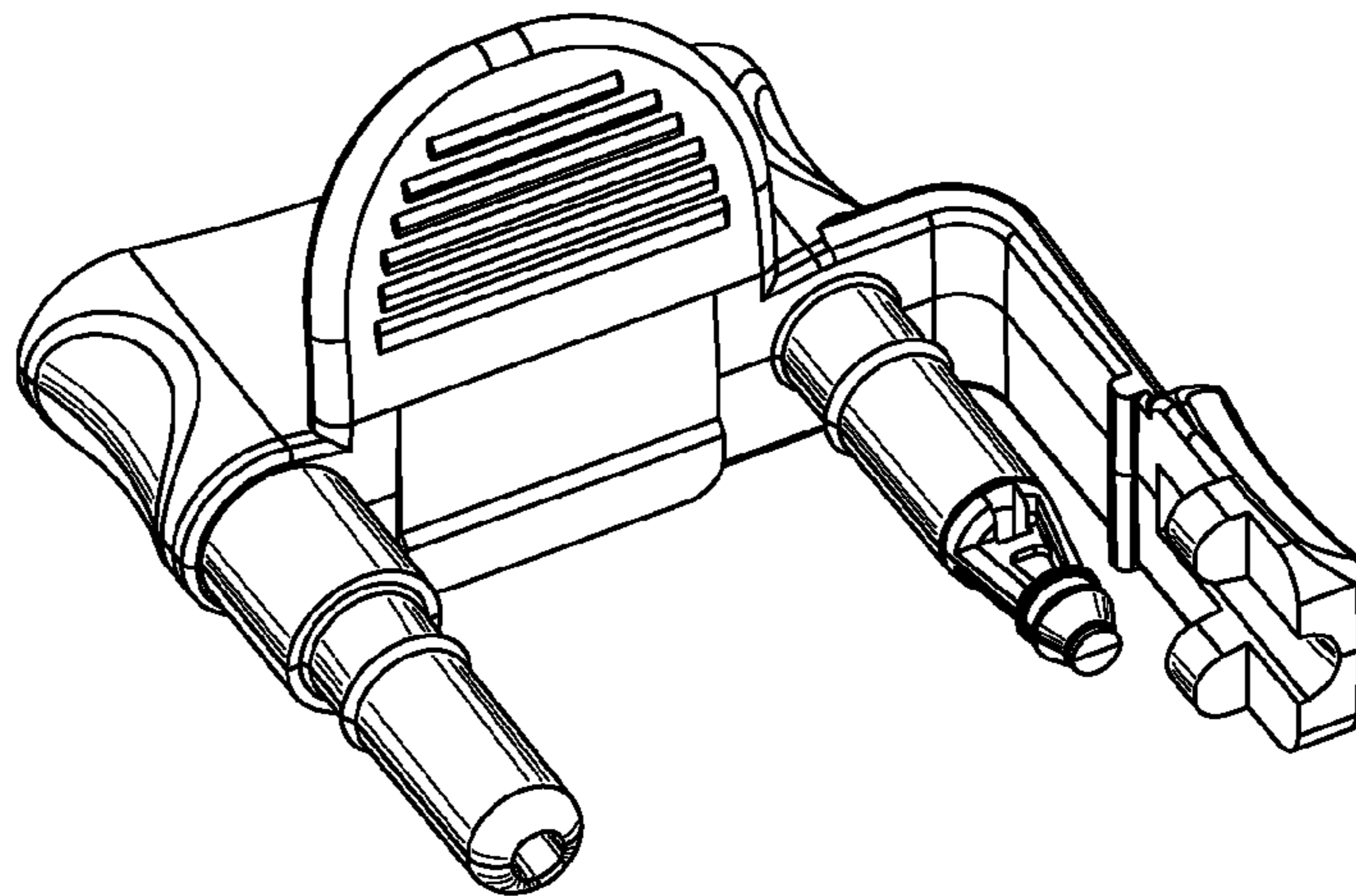


FIG. 3

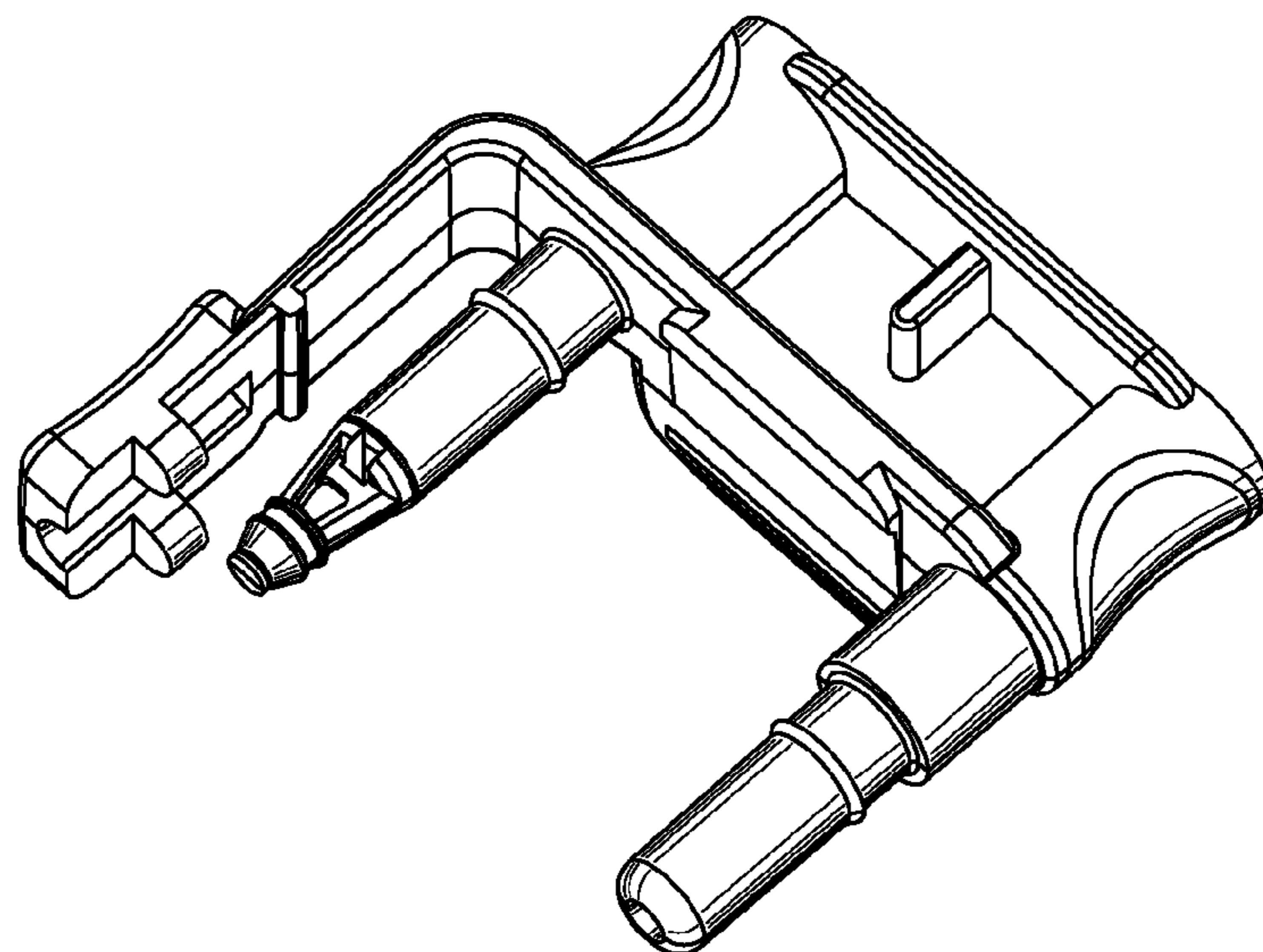


FIG. 4

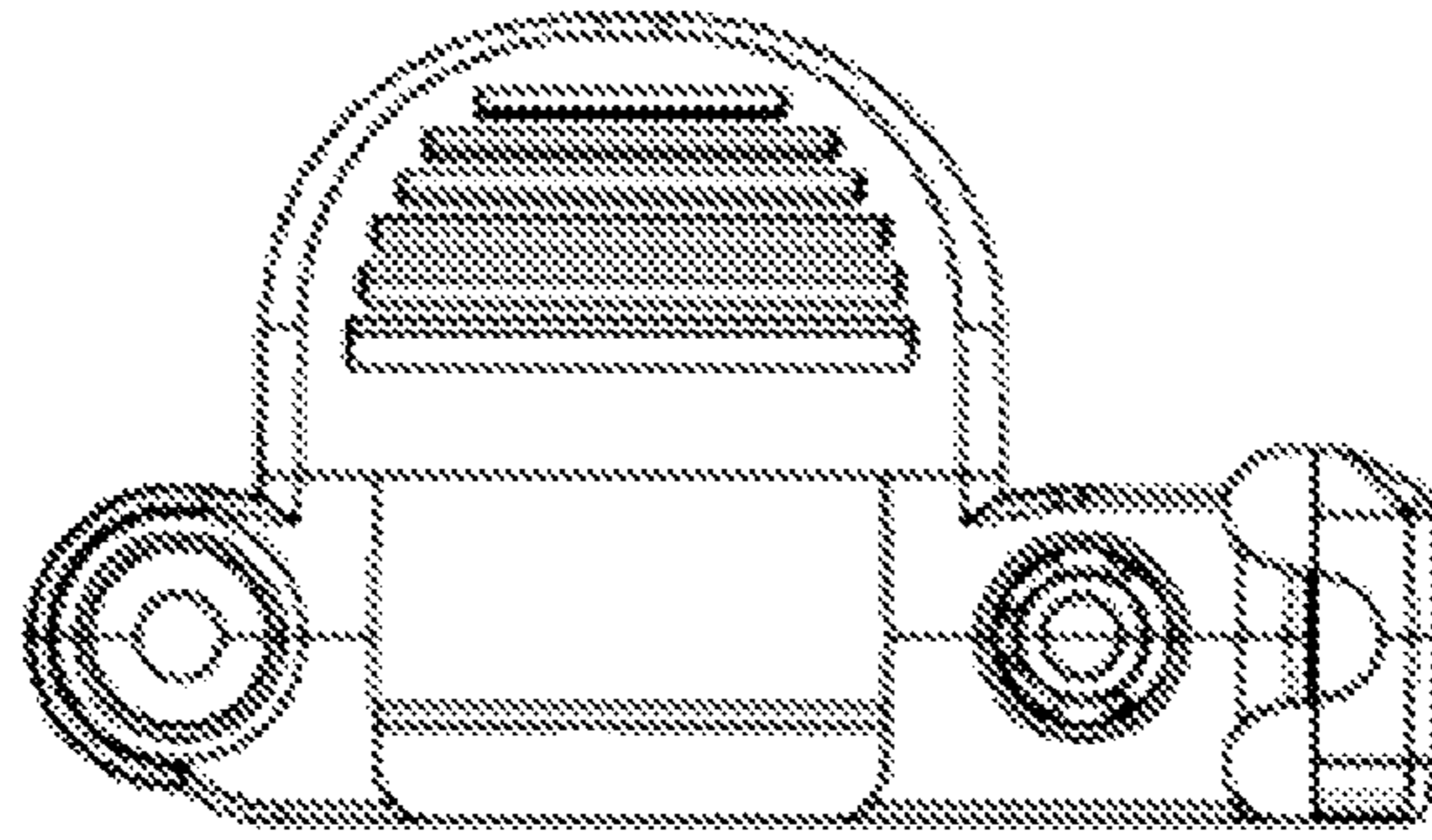


FIG. 5

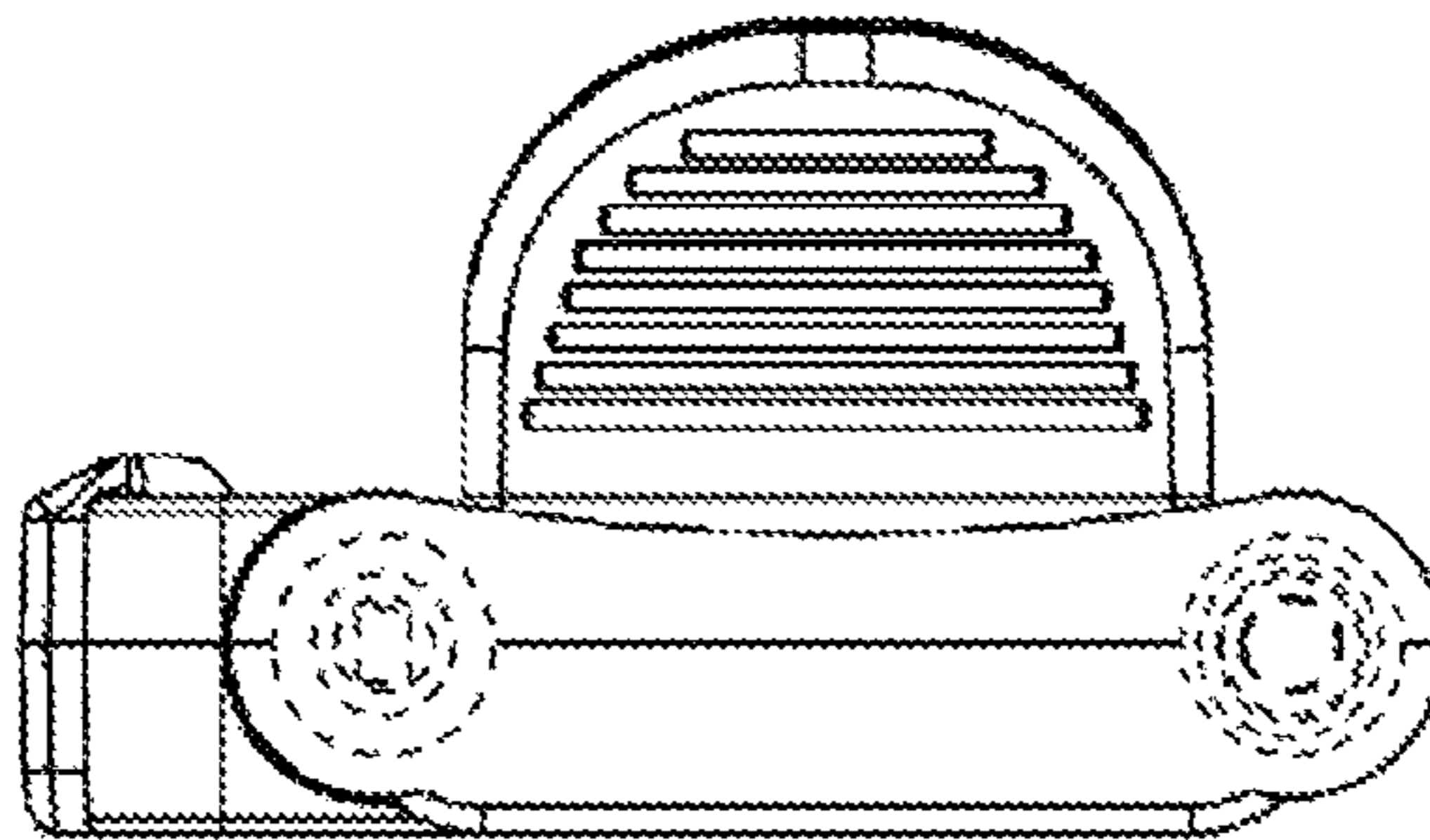


FIG. 6

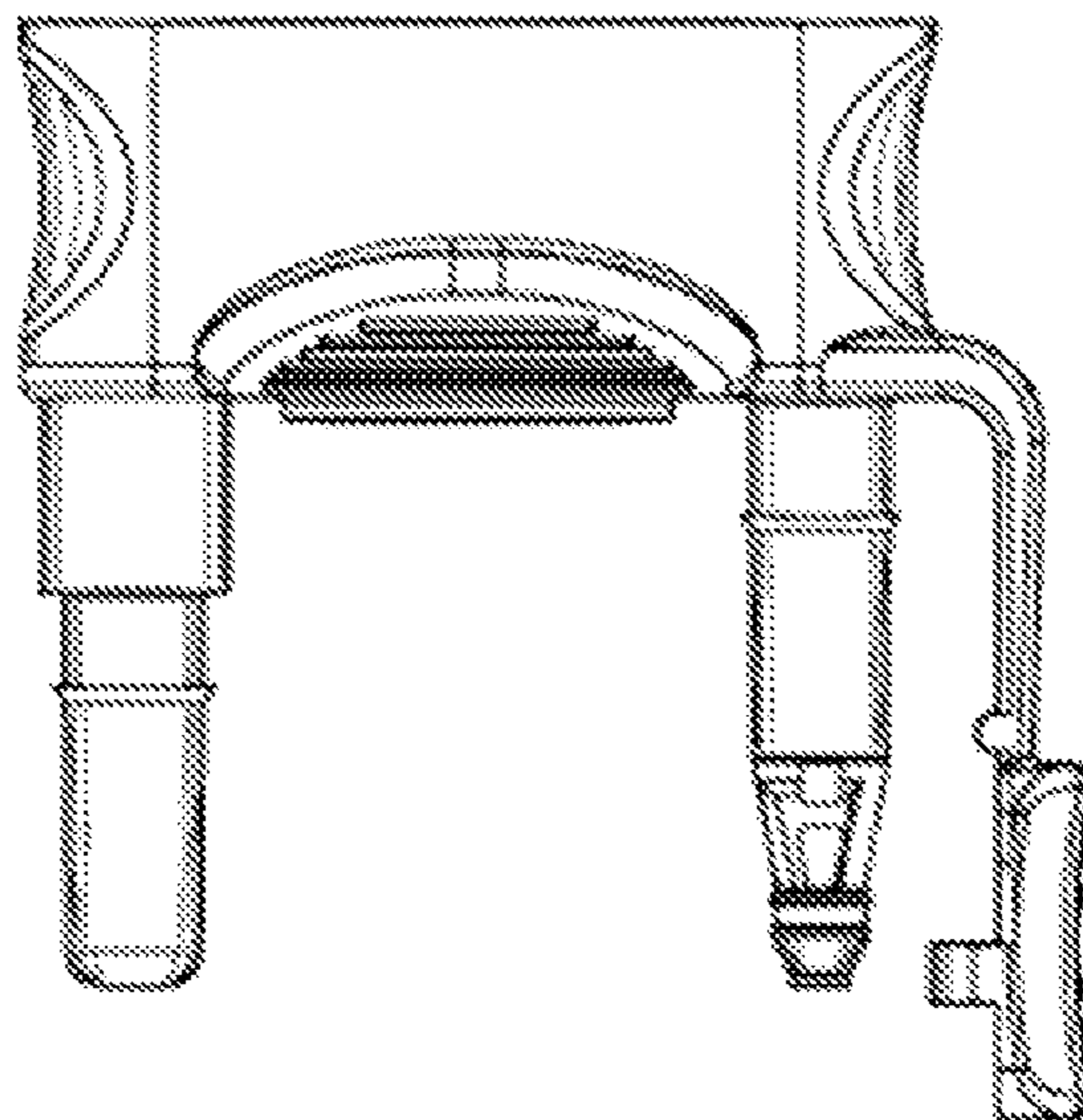


FIG. 7

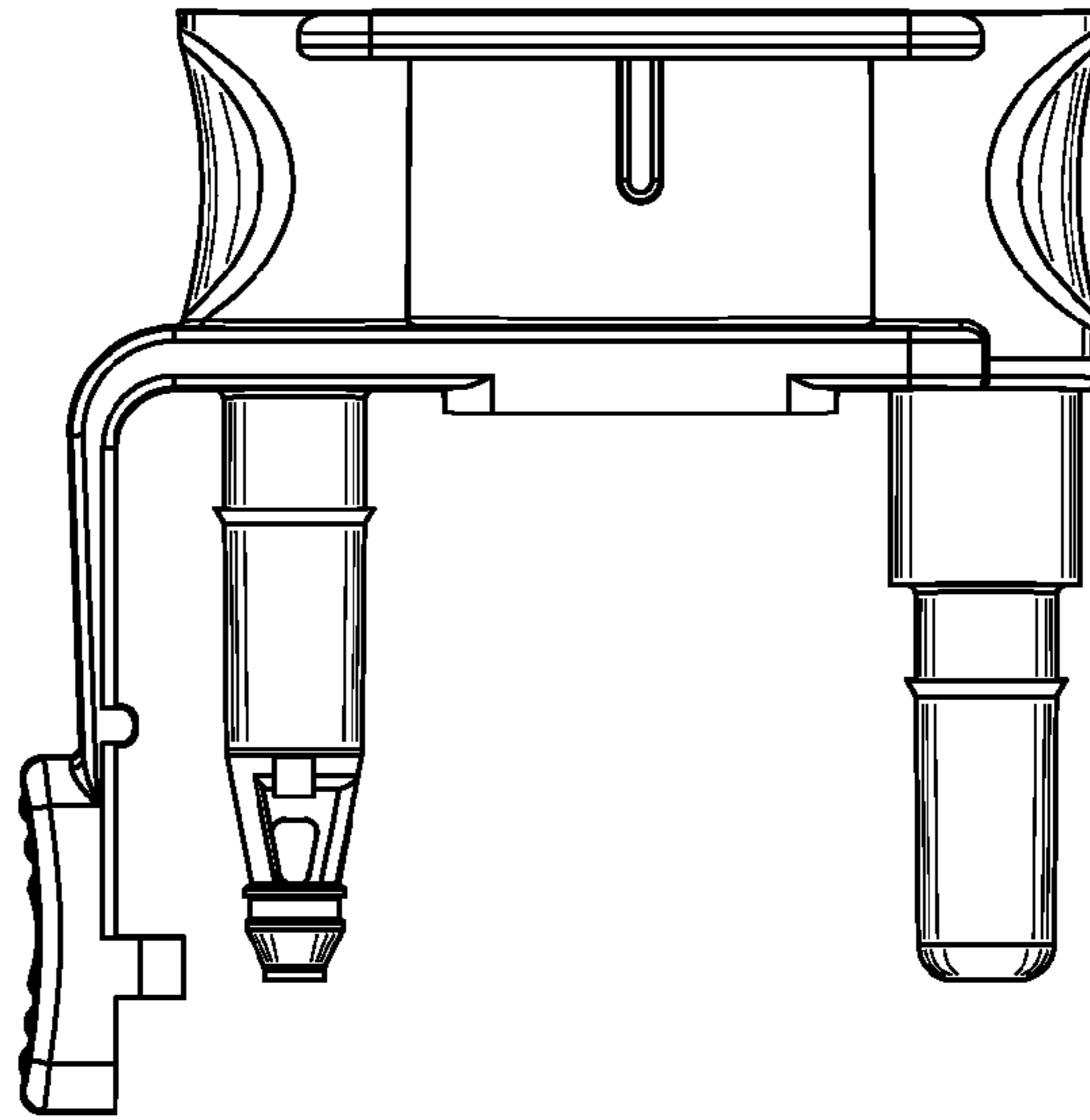


FIG. 8

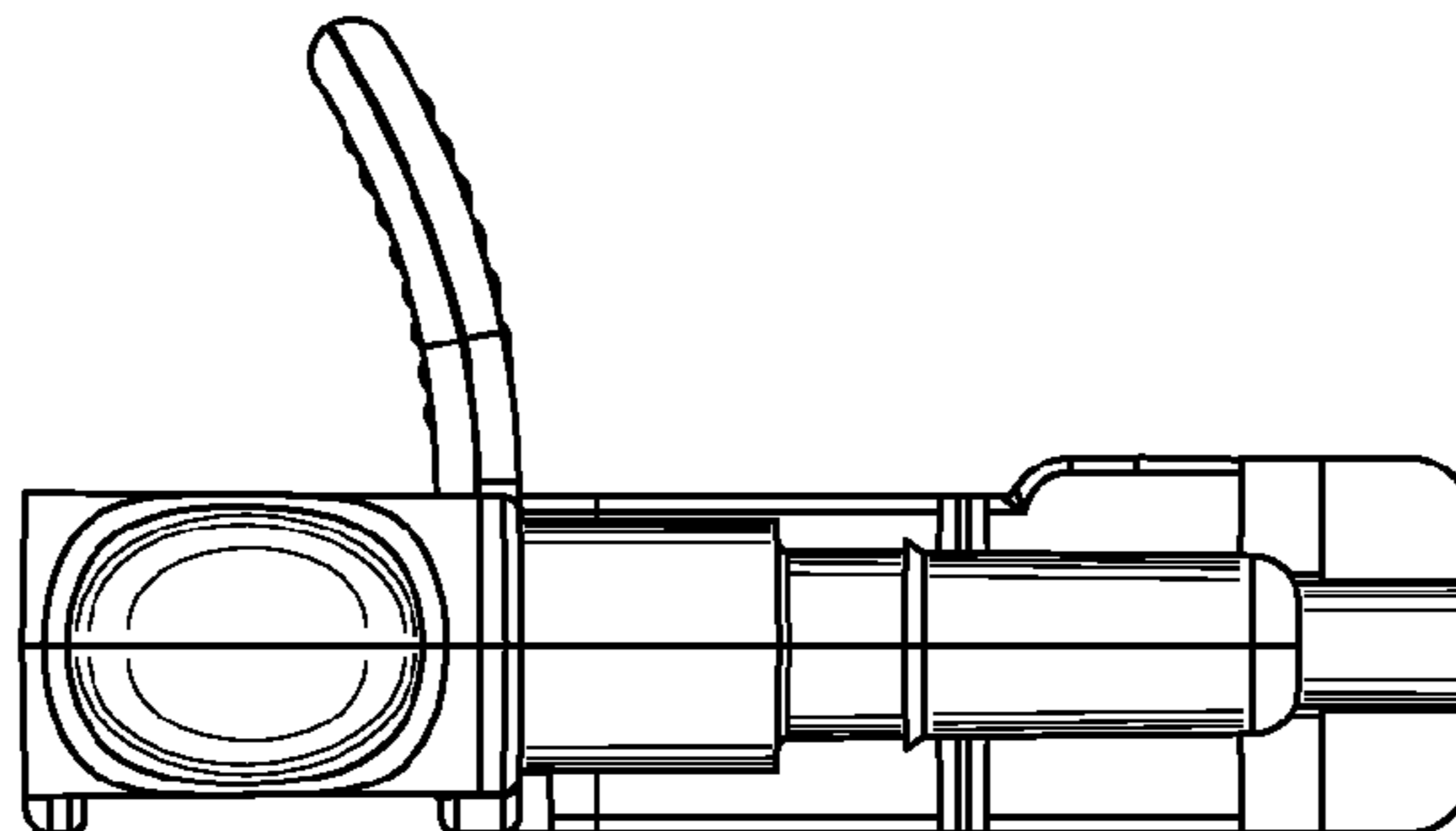


FIG. 9

