



US00D672454S

(12) **United States Design Patent**
Howe, Jr. et al.

(10) **Patent No.:** **US D672,454 S**
(45) **Date of Patent:** **** Dec. 11, 2012**

(54) **T-PIECE RESUSCITATOR**

(75) Inventors: **George E. Howe, Jr.**, Largo, FL (US);
Brian Maxfield, Clearwater, FL (US);
Jeffrey B. Ratner, Pinellas Park, FL
(US)

(73) Assignee: **Mercury Enterprises, Inc.**, Clearwater,
FL (US)

(**) Term: **14 Years**

(21) Appl. No.: **29/365,027**

(22) Filed: **Jul. 1, 2010**

(51) **LOC (9) Cl.** **29-02**

(52) **U.S. Cl.** **D24/110.6**

(58) **Field of Classification Search** D24/110.6;
D23/246; 128/203.11, 205.24, 207.12, 207.16
See application file for complete search history.

(56) **References Cited**

U.S. PATENT DOCUMENTS

D234,637	S	*	3/1975	Flynn	D24/110.6
D300,270	S	*	3/1989	Rudolph et al.	D24/110.6
D300,271	S	*	3/1989	Rudolph et al.	D24/110.6
D300,272	S	*	3/1989	Rudolph et al.	D24/110.6
D305,814	S	*	1/1990	Fangrow, Jr.	D24/110.6
D355,030	S	*	1/1995	Baldwin	D24/110.6
5,557,049	A	*	9/1996	Ratner	73/715

D395,500	S	*	6/1998	Ryder	D24/110.6
6,709,403	B1	*	3/2004	Ratner	600/532
7,051,596	B1	*	5/2006	Lau et al.	73/716
7,341,059	B2	*	3/2008	Moody et al.	128/205.24

* cited by examiner

Primary Examiner — Ian Simmons

Assistant Examiner — Richelle Shelton

(74) *Attorney, Agent, or Firm* — Larson & Larson, P.A.;
Frank Liebenow; Justin Miller

(57) **CLAIM**

I claim the ornamental design for a T-piece resuscitator, as shown and described.

DESCRIPTION

FIG. 1 is a front elevation view of the T-piece resuscitator showing my novel design;
FIG. 2 is a rear elevation view thereof;
FIG. 3 is a left side view thereof;
FIG. 4 is a right side view thereof;
FIG. 5 is a top plan view thereof;
FIG. 6 is a bottom plan view thereof; and,
FIG. 7 is a perspective view thereof.
The broken lines shown in FIGS. 5 and 7 are illustrative of typical pressure gradients and form no part of the claimed design.

1 Claim, 4 Drawing Sheets

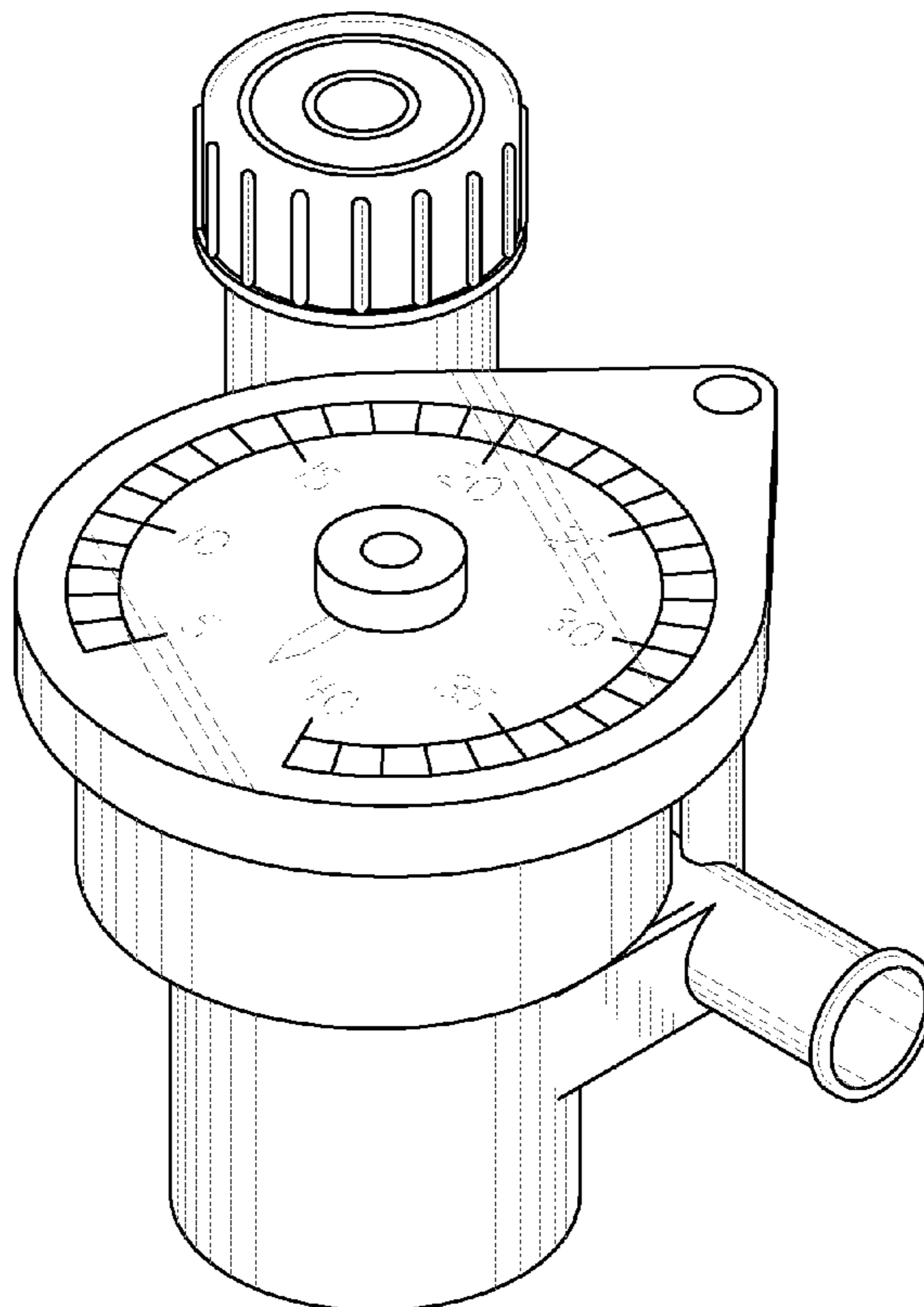


FIG. 1

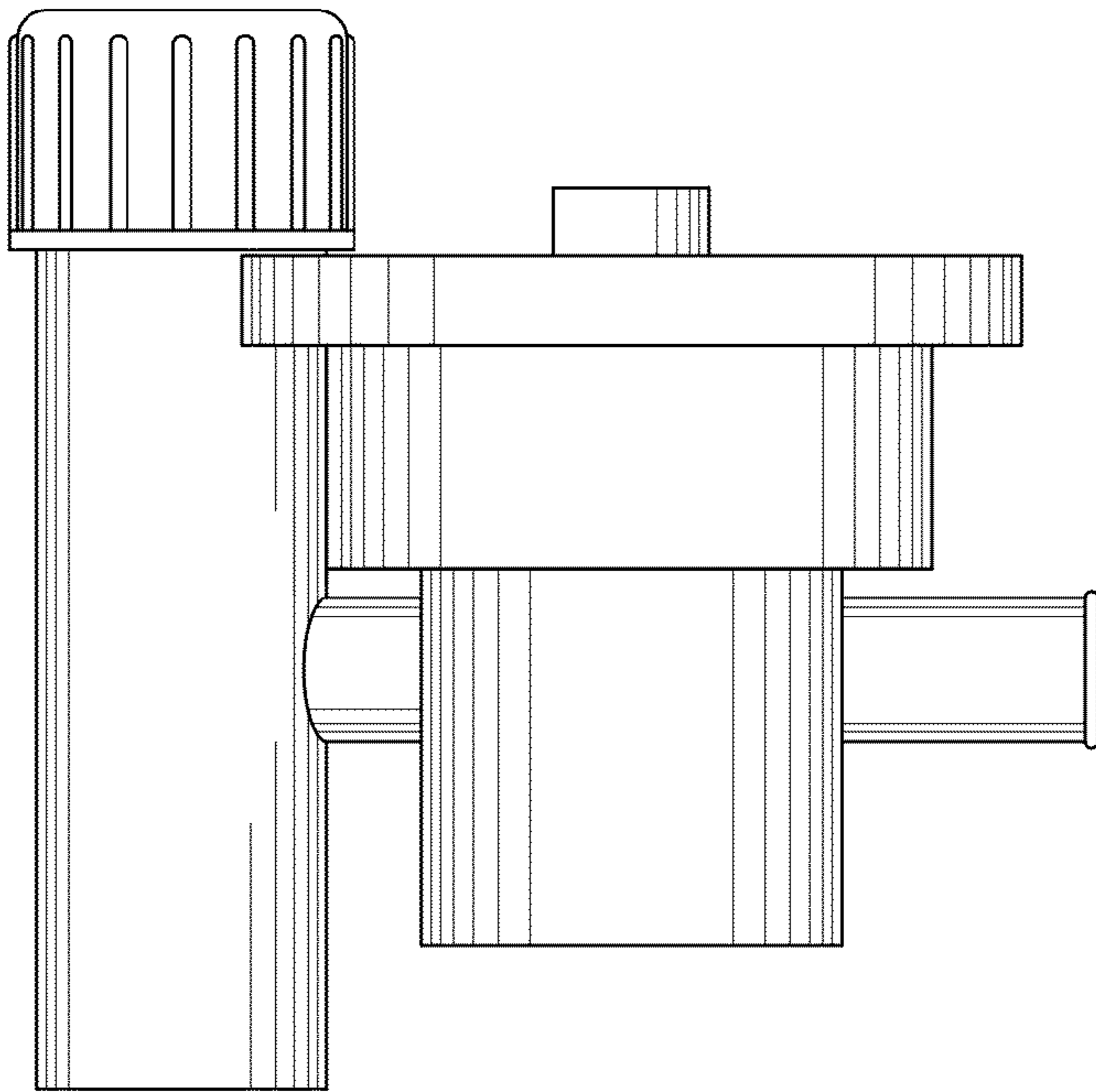


FIG. 2

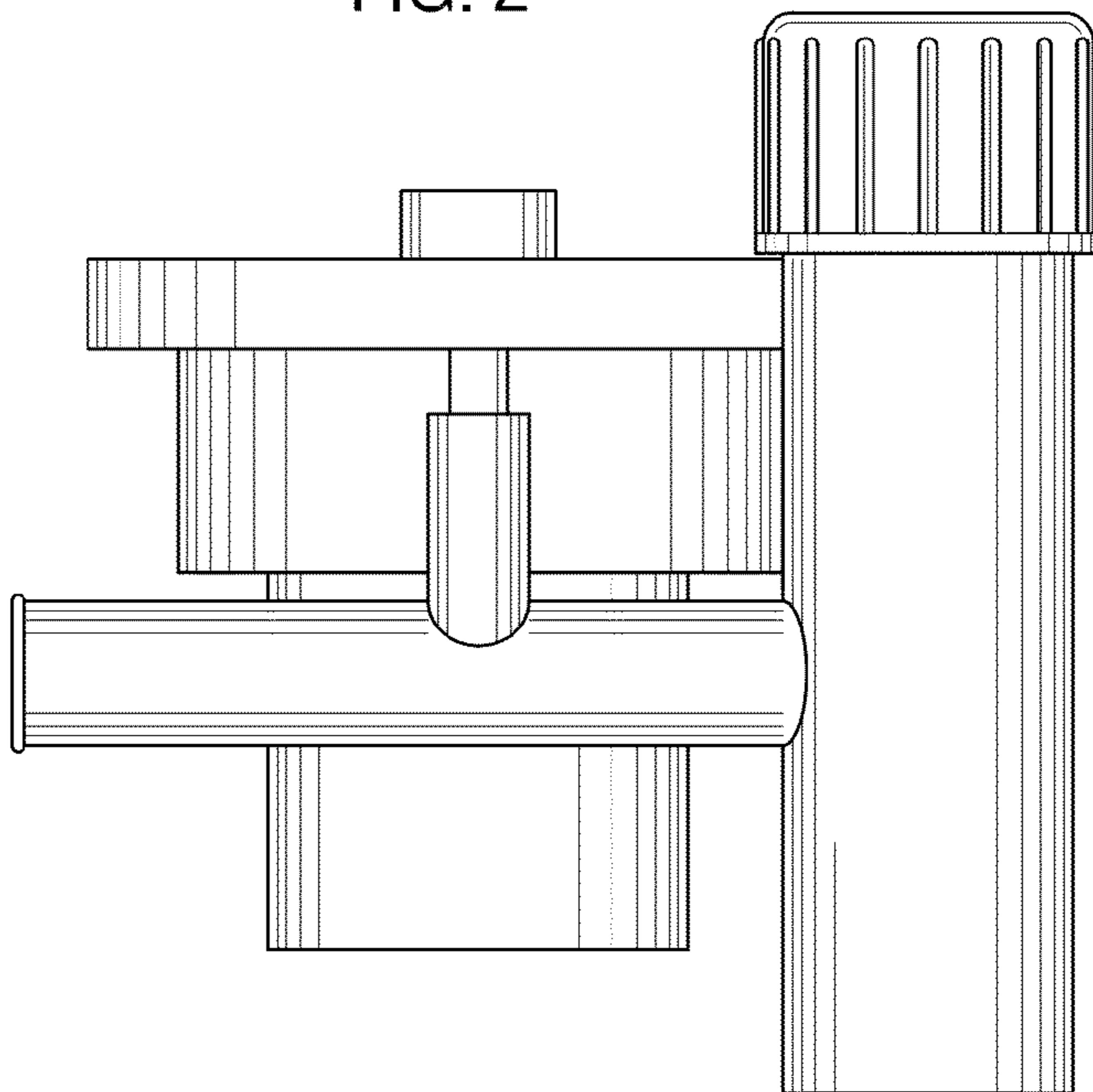


FIG. 3

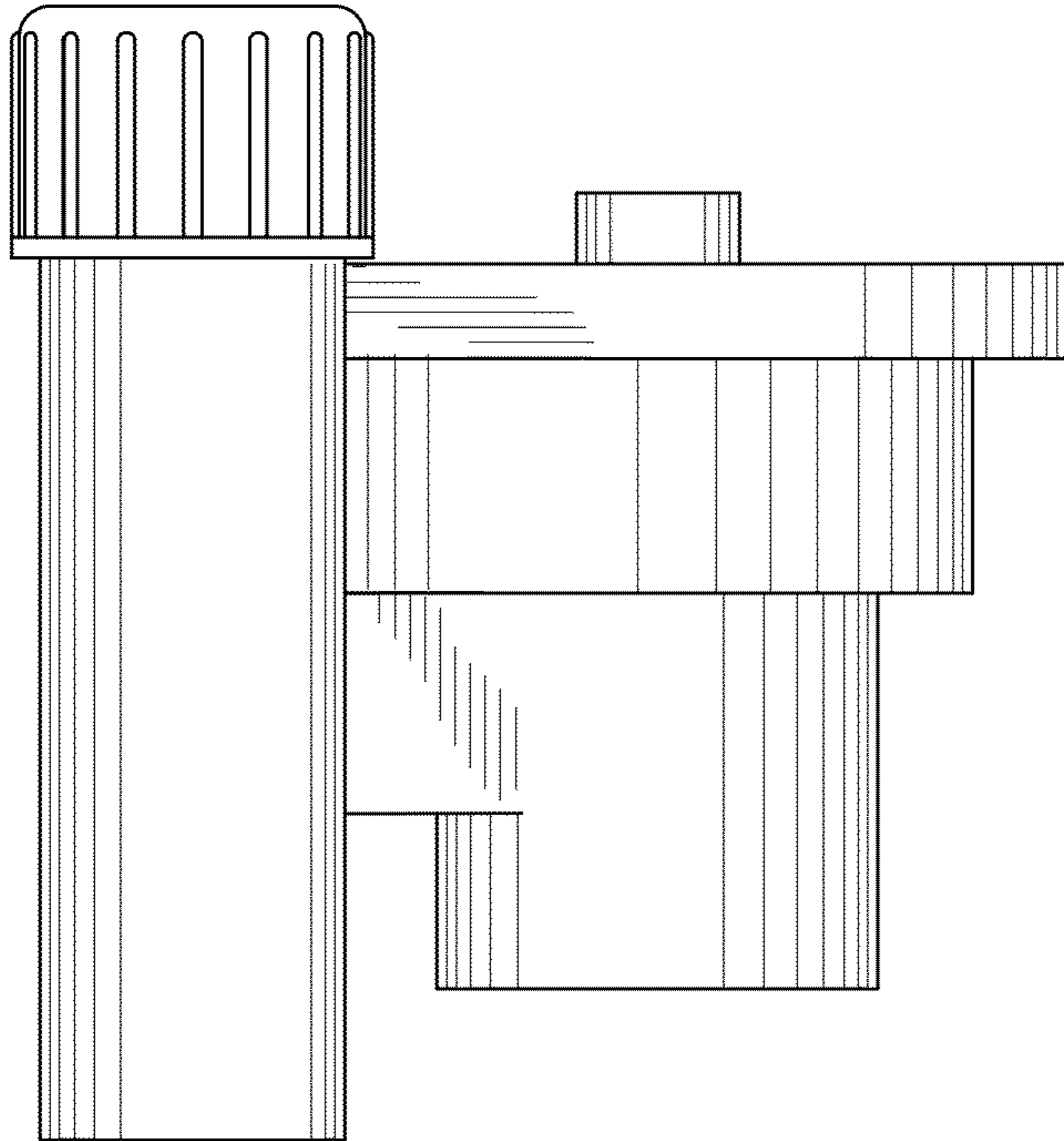


FIG. 4

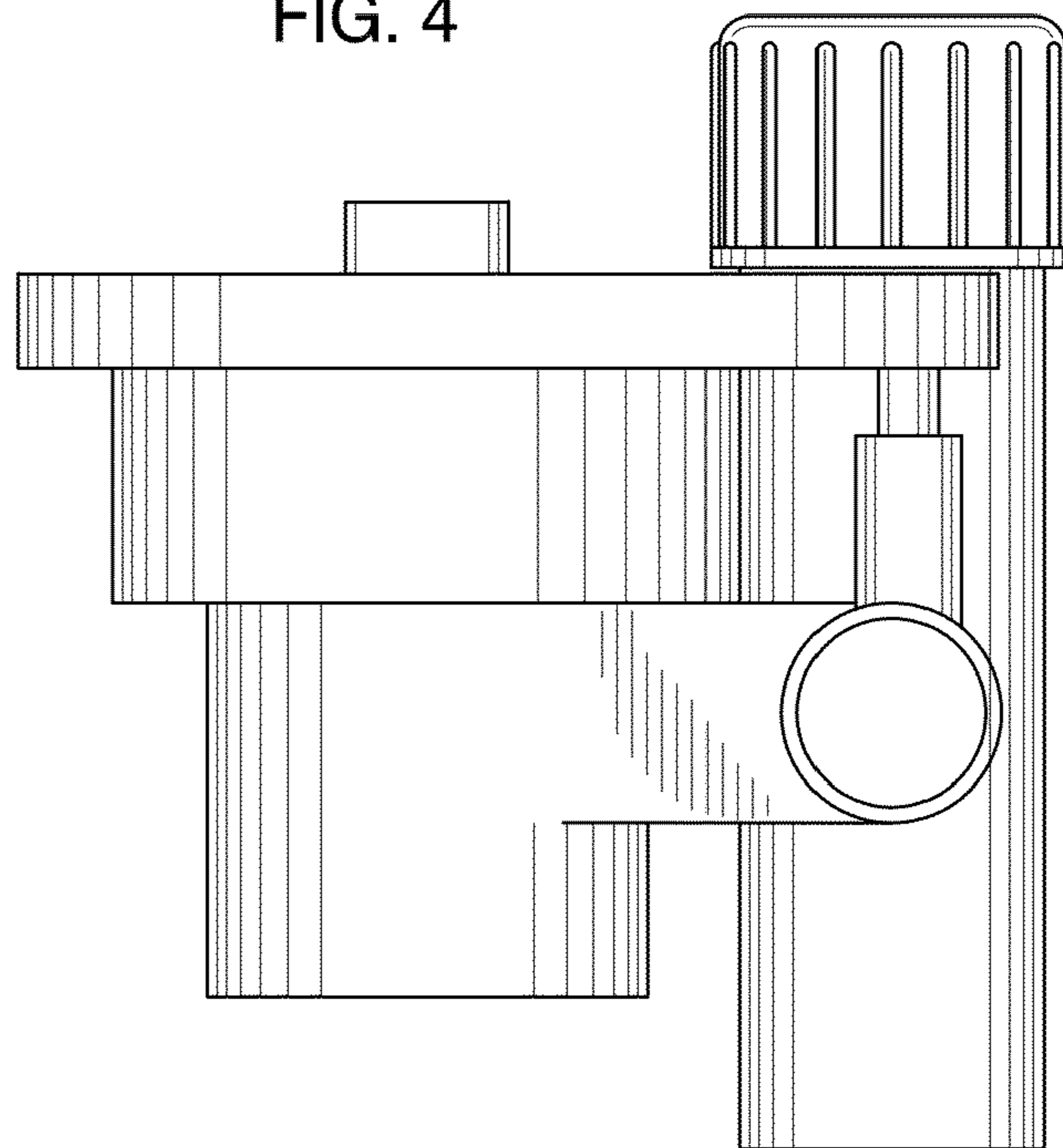


FIG. 5

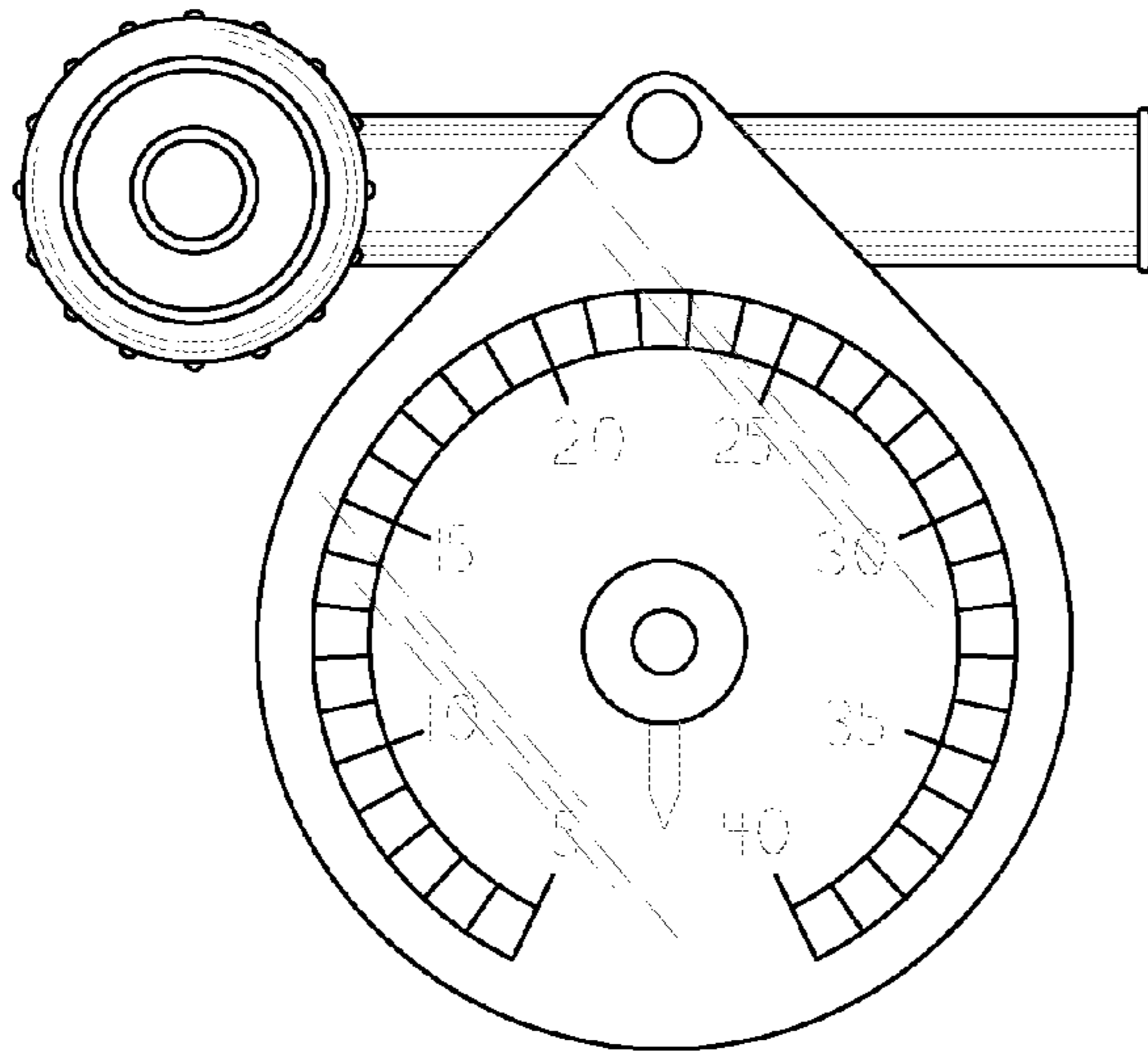


FIG. 6

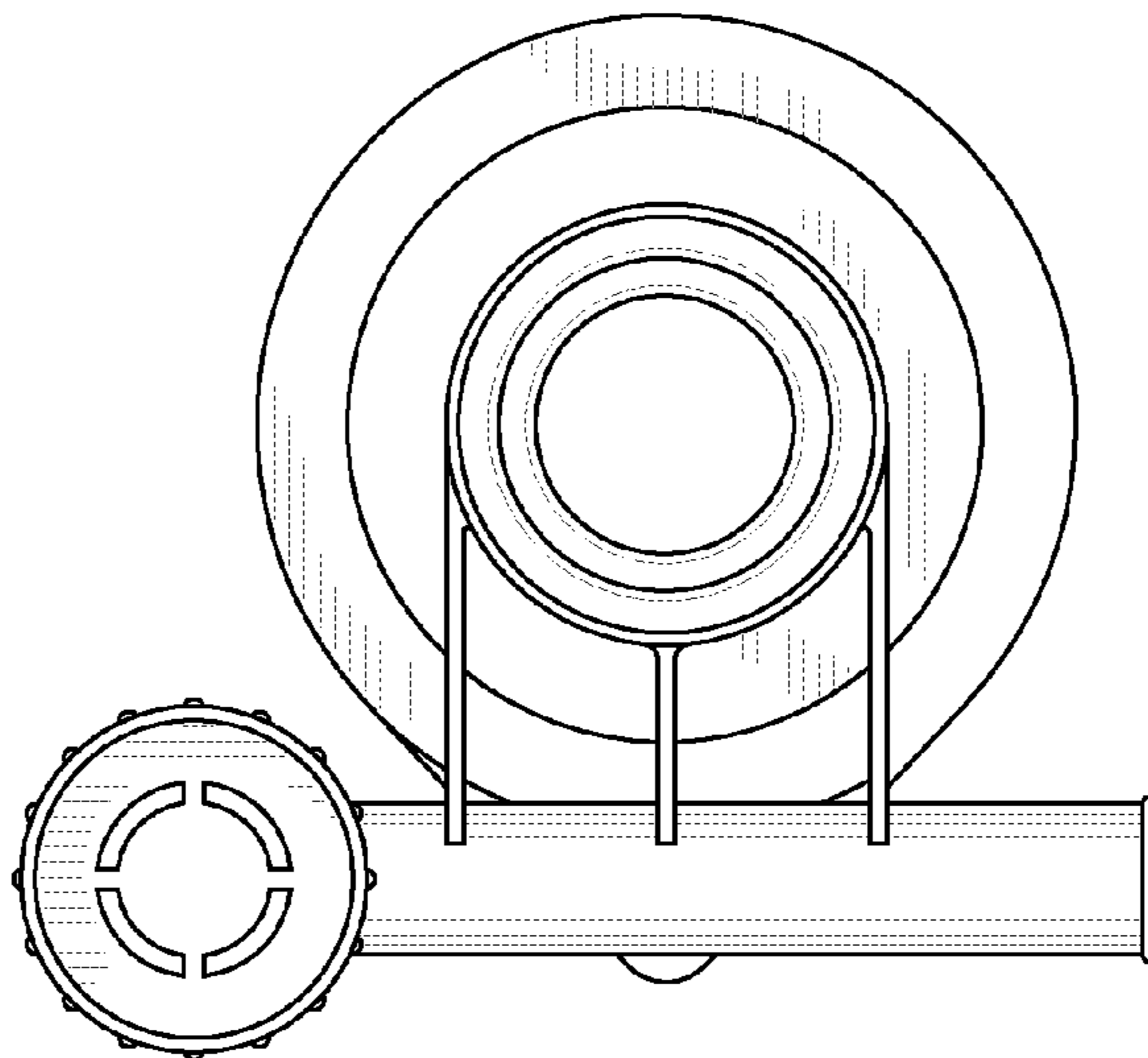


FIG. 7

