



US00D672449S

(12) **United States Design Patent**
Yeh

(10) **Patent No.:** **US D672,449 S**
(45) **Date of Patent:** **** Dec. 11, 2012**

(54) **CEILING VENTILATING FAN WITH LIGHT**

(56) **References Cited**

(76) Inventor: **Tien-Bao Yeh**, New Taipei (TW)

U.S. PATENT DOCUMENTS

(**) Term: **14 Years**

D409,741 S *	5/1999	Yuen-Ming	D23/370
D416,315 S *	11/1999	Nanjo	D23/351
D452,906 S *	1/2002	Peng	D23/370
D509,482 S *	9/2005	Huang	D13/179
D532,095 S *	11/2006	Calkins	D23/370
D562,781 S *	2/2008	Teufel et al.	D13/179
D609,800 S *	2/2010	Chen	D23/385

(21) Appl. No.: **29/393,816**

(22) Filed: **Jun. 9, 2011**

* cited by examiner

(30) **Foreign Application Priority Data**

Dec. 29, 2010 (TW) 099306735

Primary Examiner — Garth Rademaker

(74) *Attorney, Agent, or Firm* — Guice Patents PLLC

(51) **LOC (9) Cl.** **23-04**

(57) **CLAIM**

I claim, the ornamental design for a ceiling ventilating fan with light, as shown and described.

(52) **U.S. Cl.** **D23/385; D26/59**

DESCRIPTION

(58) **Field of Classification Search** D13/179;

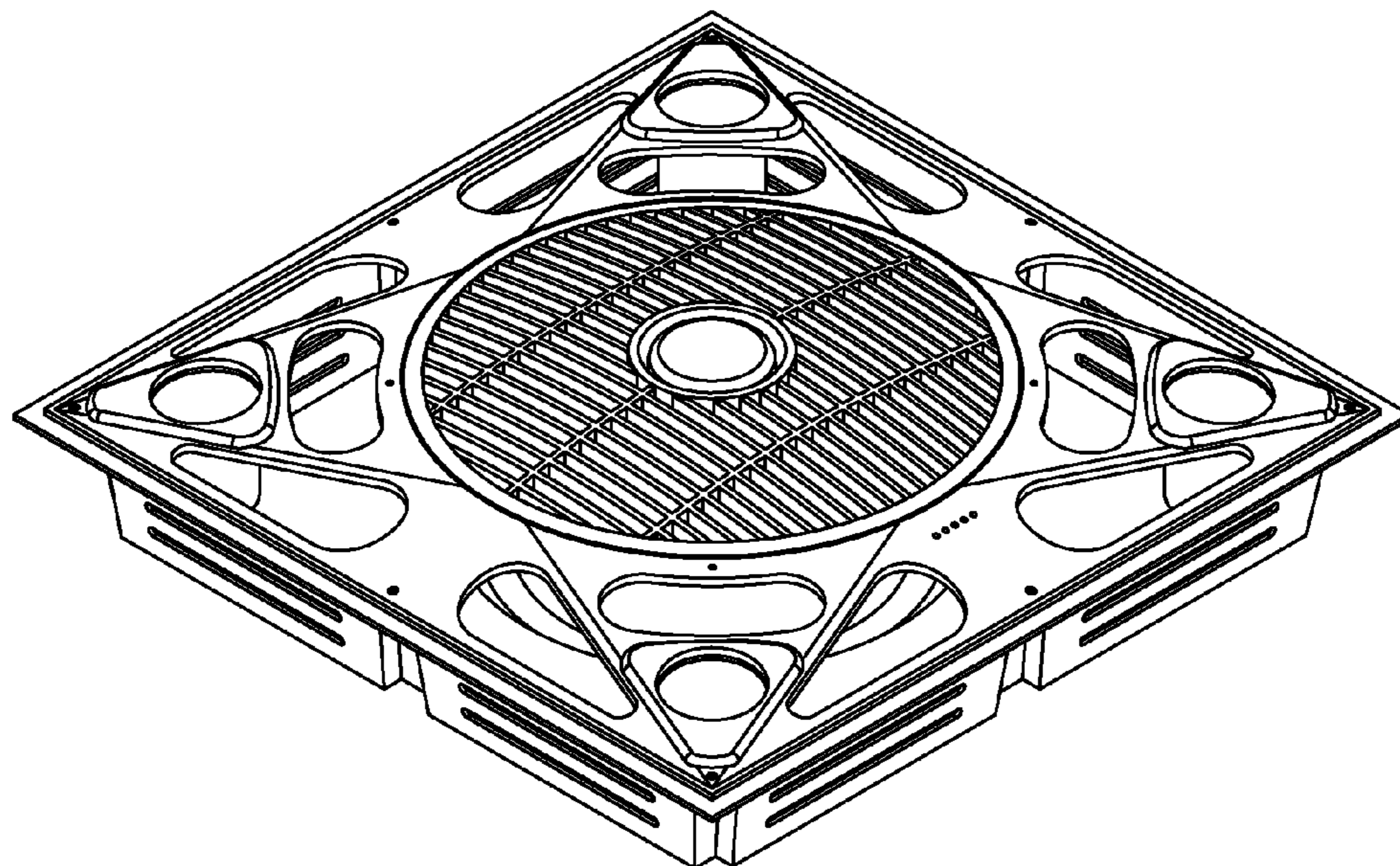
D23/370-394, 411-414; D26/51, 59, 72, D26/81-86; 34/169; 52/302.1, 302.7; 55/DIG. 36; 123/41.7; 126/58, 60, 61, 64-66, 84, 299 D-299 F, 126/299 R, 300, 301, 312, 531; 138/118, 138/121, 172, 173, 177; 165/54, 59; 285/133.6; 392/364; 415/126, 127, 213.1, 214.1; 416/5, 416/204 R, 210 R, 234, 237, 244 R, 247 R; 454/41, 42, 233, 236, 250-253, 275-277, 454/284, 309, 367, 368

FIG. 1 is a perspective view of a ceiling ventilating fan with light showing my new design; FIG. 2 is a front view thereof; FIG. 3 is a rear view thereof; FIG. 4 is a left side view thereof; FIG. 5 is a right side view thereof; FIG. 6 is a top view thereof; and, FIG. 7 is a bottom view thereof.

The broken lines depict portions of the ceiling ventilating fan with light which form no part of the claimed design.

See application file for complete search history.

1 Claim, 4 Drawing Sheets



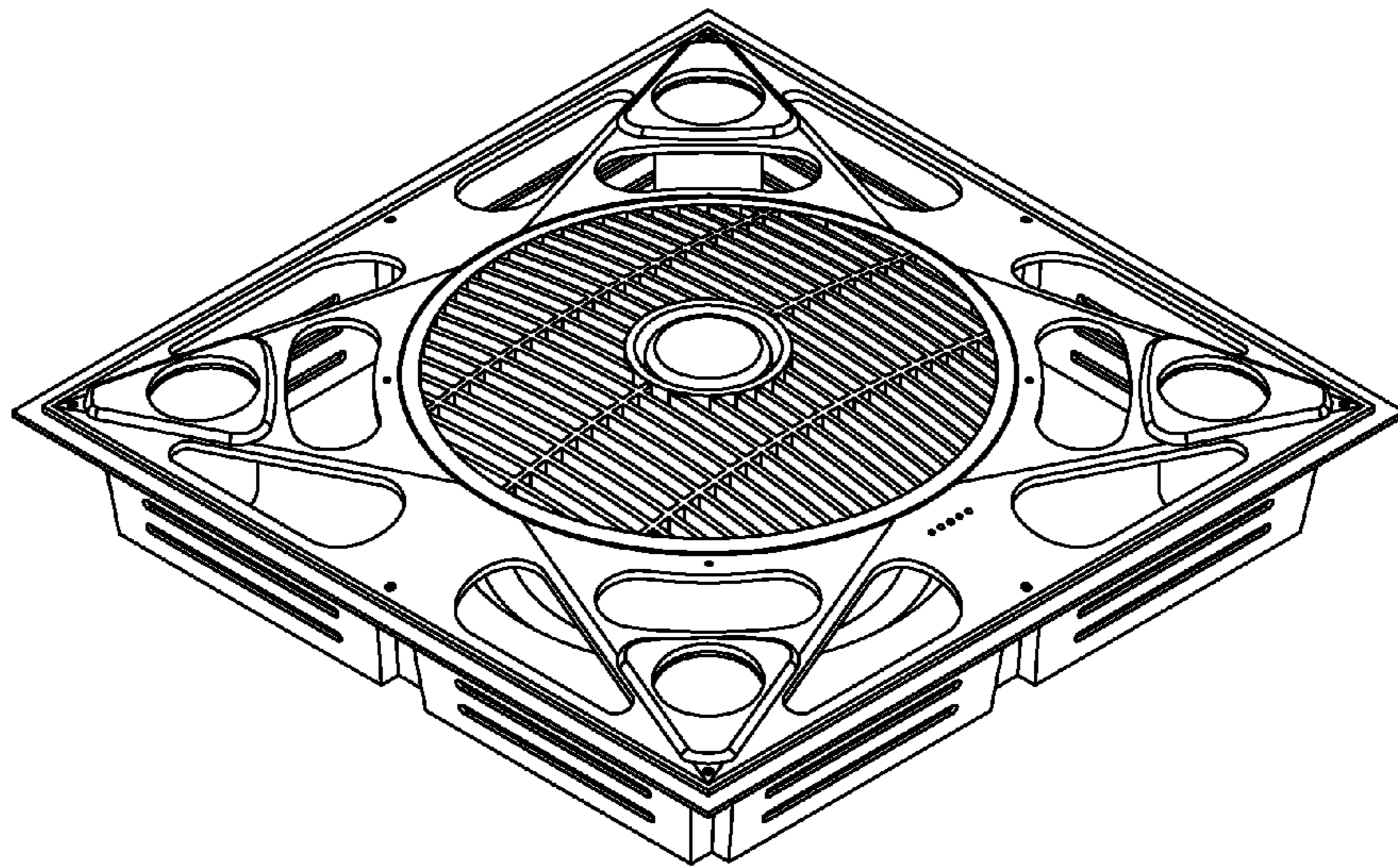


FIG. 1

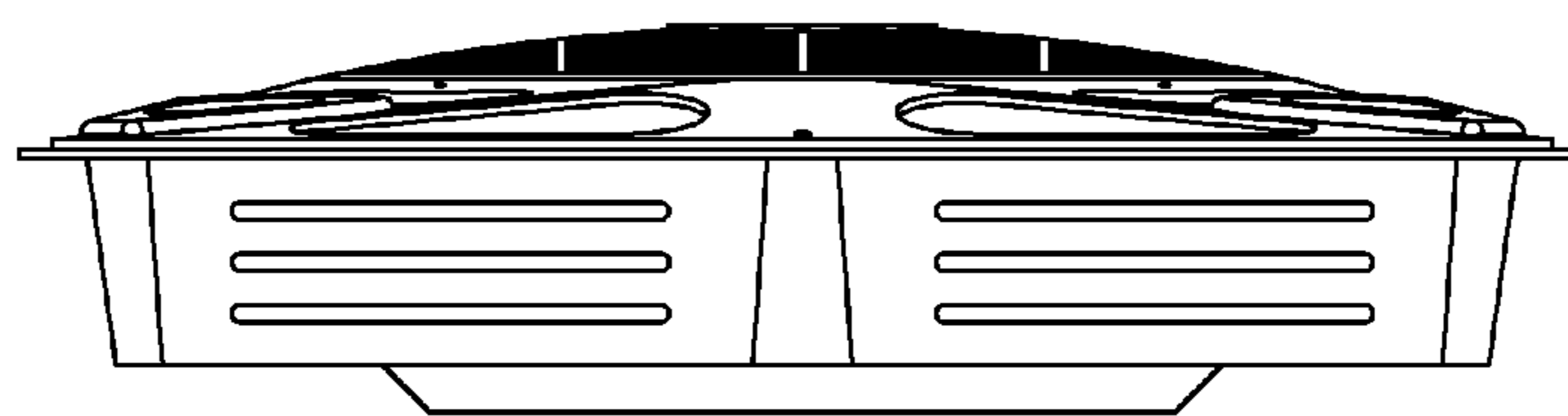


FIG. 2

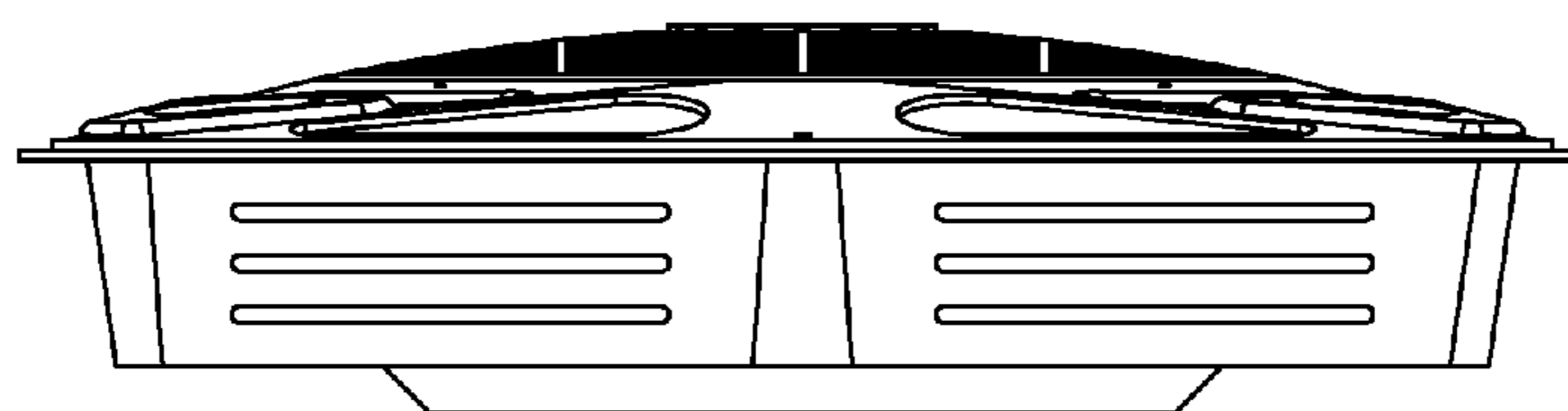


FIG. 3

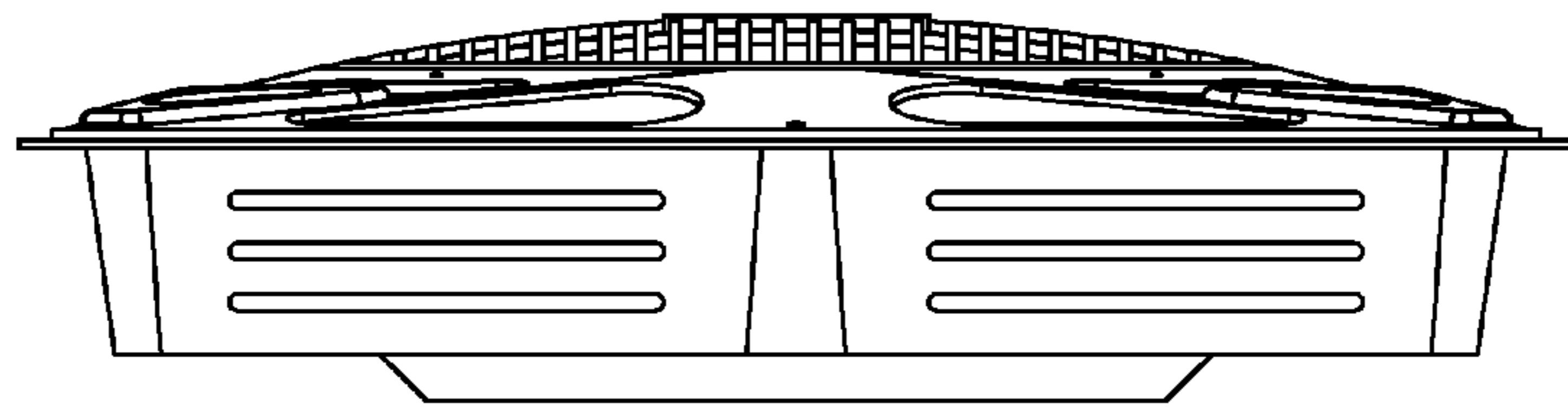


FIG. 4

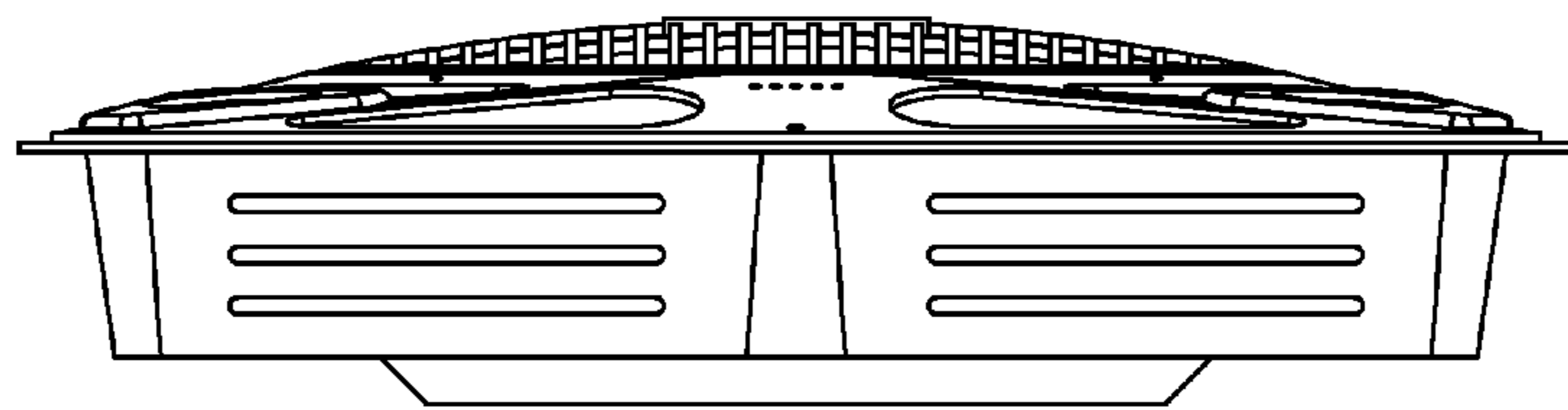


FIG. 5

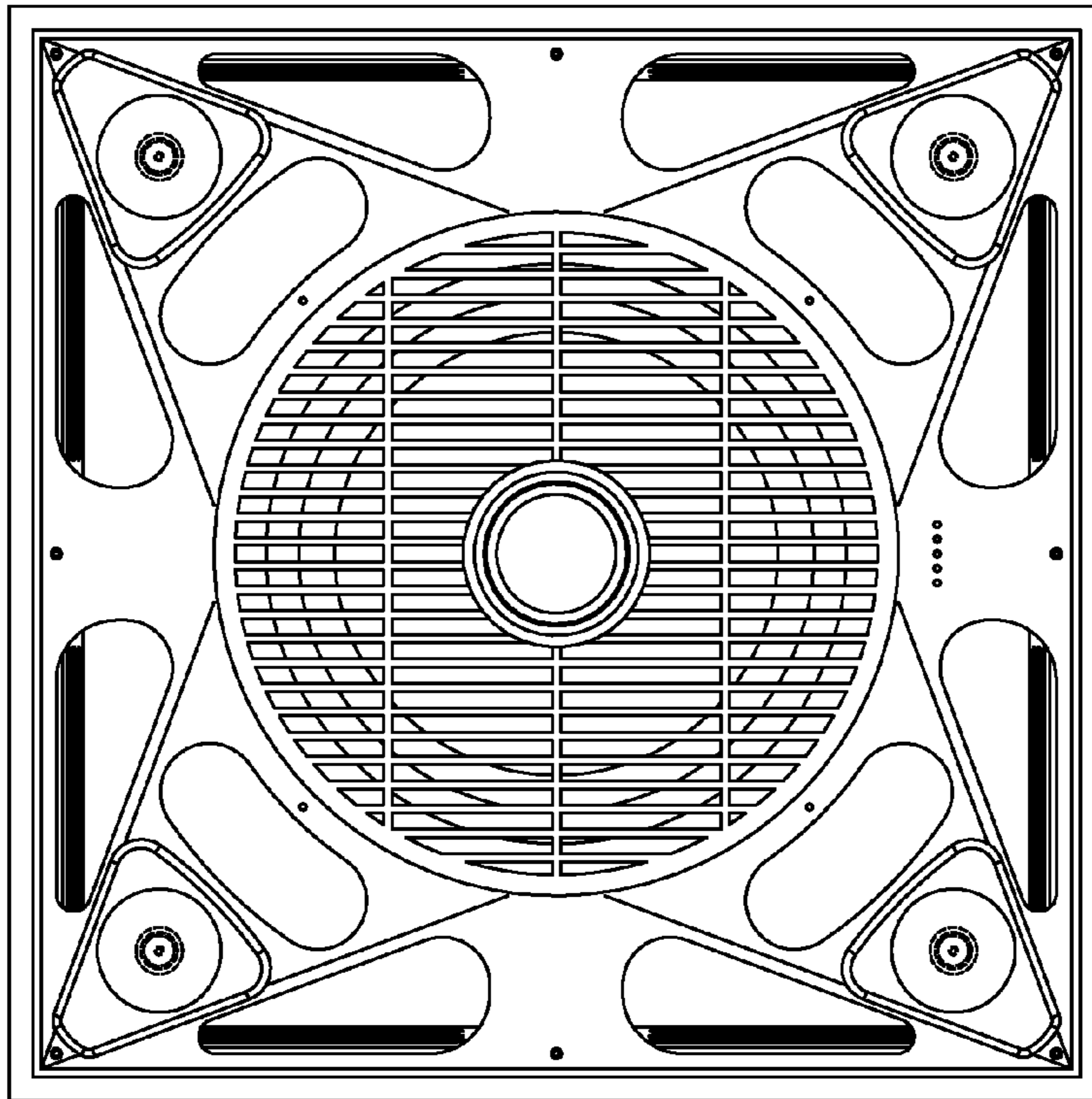


FIG. 6

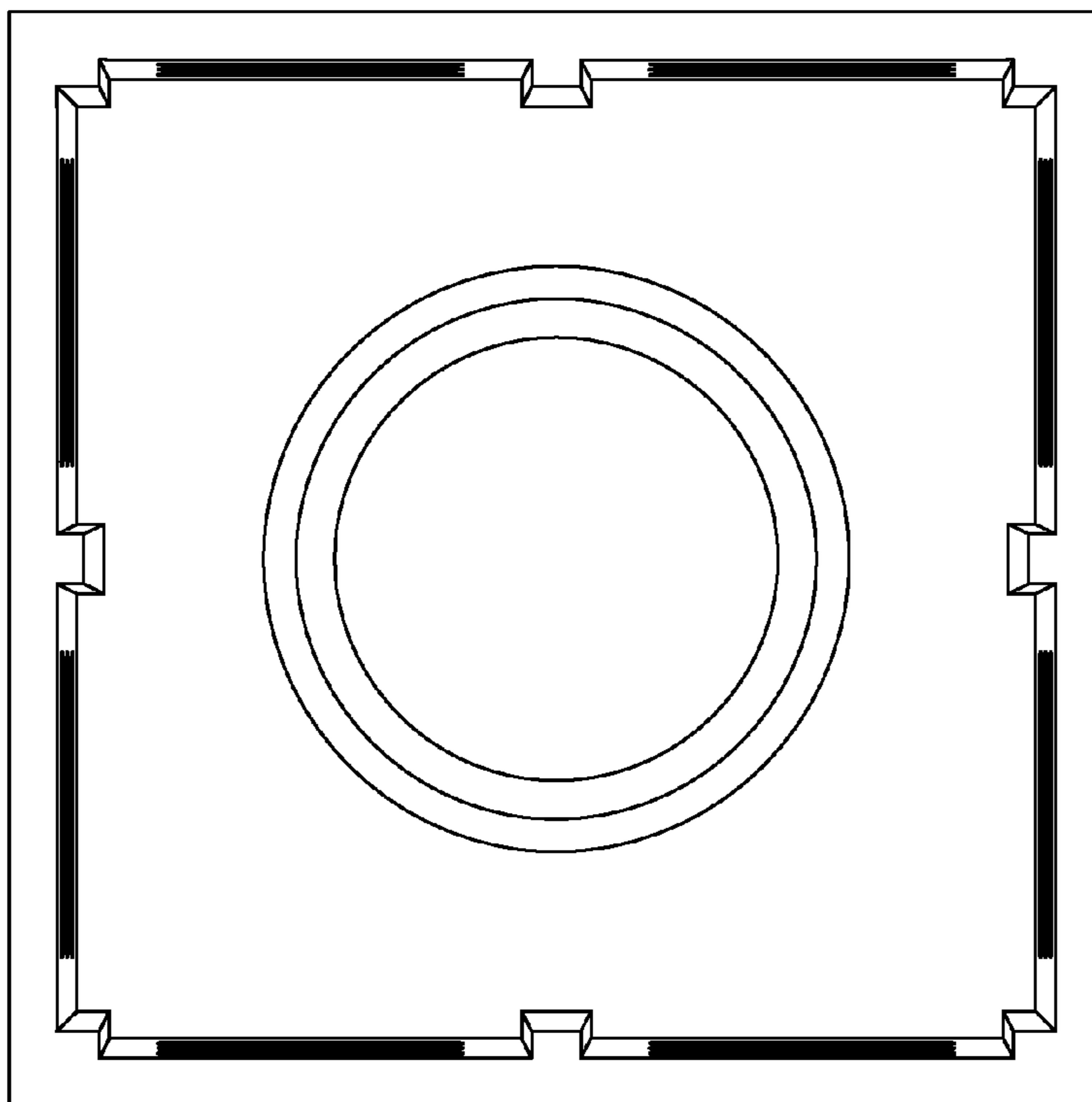


FIG. 7