



US00D672448S

(12) **United States Design Patent**
Passauer, III

(10) **Patent No.:** **US D672,448 S**

(45) **Date of Patent:** **** Dec. 11, 2012**

(54) **CEILING FAN**

(75) **Inventor:** **Willard F. Passauer, III**, Fort
Lauderdale, FL (US)

(73) **Assignee:** **Chien Luen Industries Co., Ltd., Inc.**,
Oakland Park, FL (US)

(**) **Term:** **14 Years**

(21) **Appl. No.:** **29/384,237**

(22) **Filed:** **Jan. 28, 2011**

(51) **LOC (9) Cl.** **23-04**

(52) **U.S. Cl.** **D23/377**

(58) **Field of Classification Search** D13/179;
D23/370-394, 411-414; D26/51, 59, 72,
D26/81-86; 34/169; 52/302.1, 302.7; 55/DIG. 36;
123/41.7; 126/58, 60, 61, 64-66, 84, 299 D-299 F,
126/299 R, 300, 301, 312, 531; 138/118,
138/121, 172, 173, 177; 165/54, 59; 285/133.6;
392/364; 415/126, 127, 213.1, 214.1; 416/5,
416/204 R, 210 R, 234, 237, 244 R, 247 R;
454/41, 42, 233, 236, 250-253, 275-277,
454/284, 309, 367, 368

See application file for complete search history.

(56) **References Cited**

U.S. PATENT DOCUMENTS

D349,337 S *	8/1994	Tsuji	D23/377
D351,020 S *	9/1994	Arnold	D23/377
5,458,464 A *	10/1995	Lee	416/210 R
D382,955 S *	8/1997	Liu	D23/411
D388,870 S *	1/1998	Holbrook	D23/411
D407,154 S *	3/1999	Thomas	D23/411
D408,078 S *	4/1999	Zuege	D23/411
D437,406 S *	2/2001	Frampton	D23/413
D451,997 S *	12/2001	Schwartz	D23/413
D454,192 S *	3/2002	Frampton	D23/413

D481,117 S *	10/2003	Tsuji	D23/411
D485,897 S *	1/2004	Tai	D23/377
D501,922 S *	2/2005	Hidalgo	D23/413
D514,215 S *	1/2006	Hidalgo	D23/377
D516,703 S *	3/2006	Gajewski	D23/411
D517,201 S *	3/2006	Gajewski	D23/413
D519,199 S *	4/2006	Gajewski	D23/377
D522,643 S *	6/2006	Hidalgo	D23/377
D531,305 S *	10/2006	Glasbrenner	D23/411
D565,168 S *	3/2008	Hidalgo	D23/377
D586,903 S *	2/2009	Hidalgo	D23/413
D603,956 S *	11/2009	Curtin	D23/411
D626,210 S *	10/2010	Searle	D23/411
D638,533 S *	5/2011	Pickett	D23/413

* cited by examiner

Primary Examiner — Garth Rademaker

(74) *Attorney, Agent, or Firm* — Brian S. Steinberger; Law
Offices of Brian S. Steinberger, P.A.

(57) **CLAIM**

The ornamental design for a ceiling fan, as shown and
described.

DESCRIPTION

FIG. 1 is a bottom, front perspective view of a ceiling fan
showing the new design;

FIG. 2 is a top, front perspective view thereof;

FIG. 3 is a bottom view thereof;

FIG. 4 is a top view thereof;

FIG. 5 is a front view thereof;

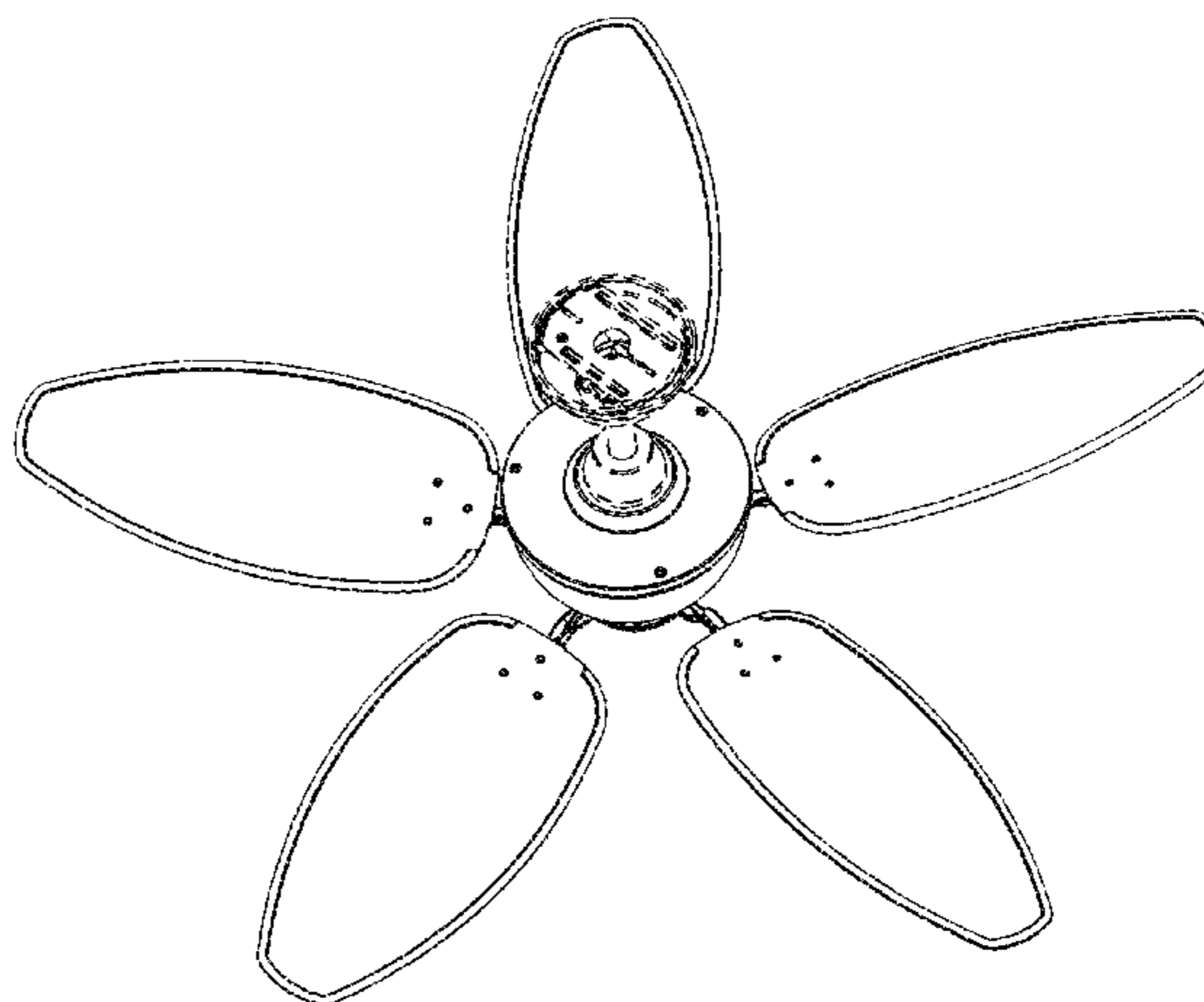
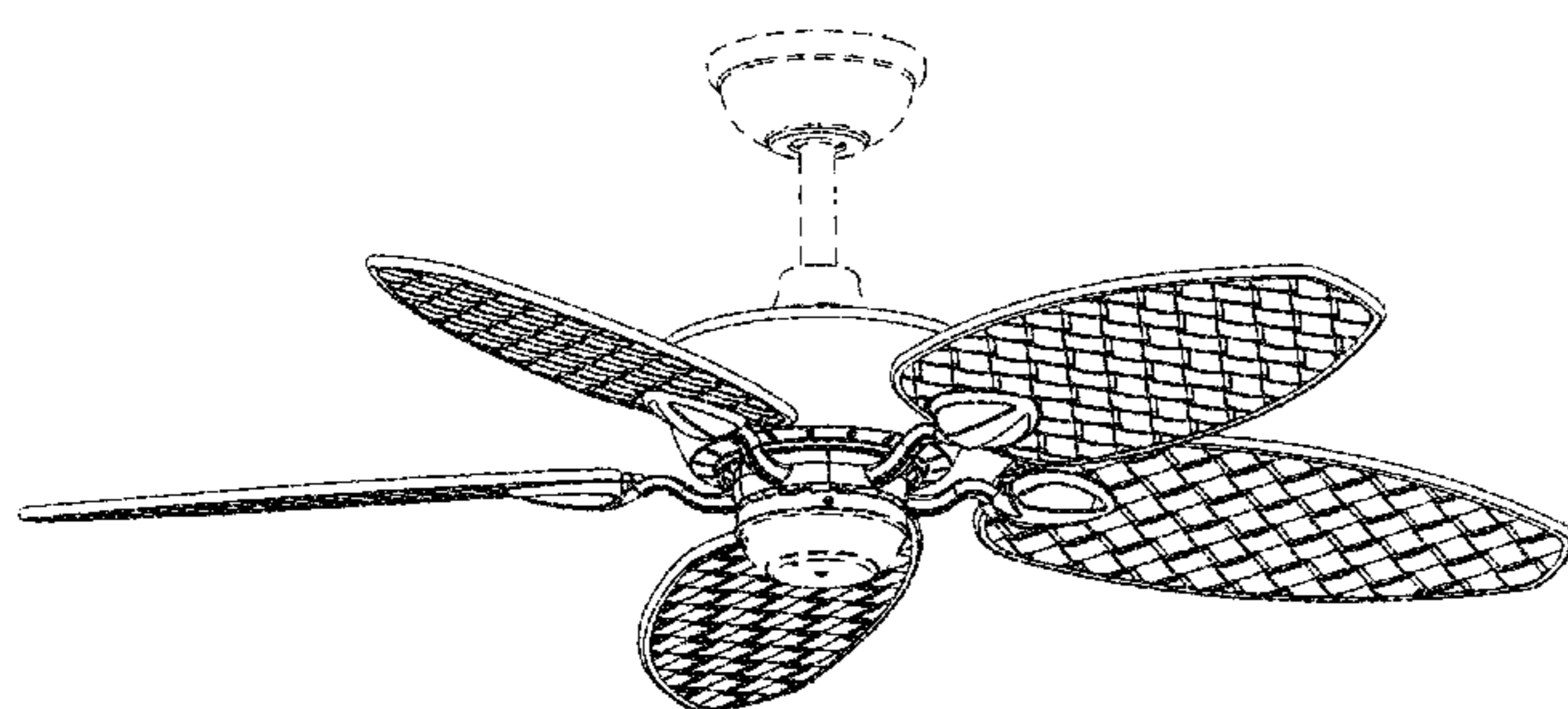
FIG. 6 is a rear view thereof;

FIG. 7 is a right side view thereof; and,

FIG. 8 is a left side view thereof.

The broken lines showing ceiling canopy, down rod and top
and bottom of motor housing and other environmental com-
ponents in FIGS. 1-8 are for illustrative purposes and form no
part of the claimed design.

1 Claim, 8 Drawing Sheets



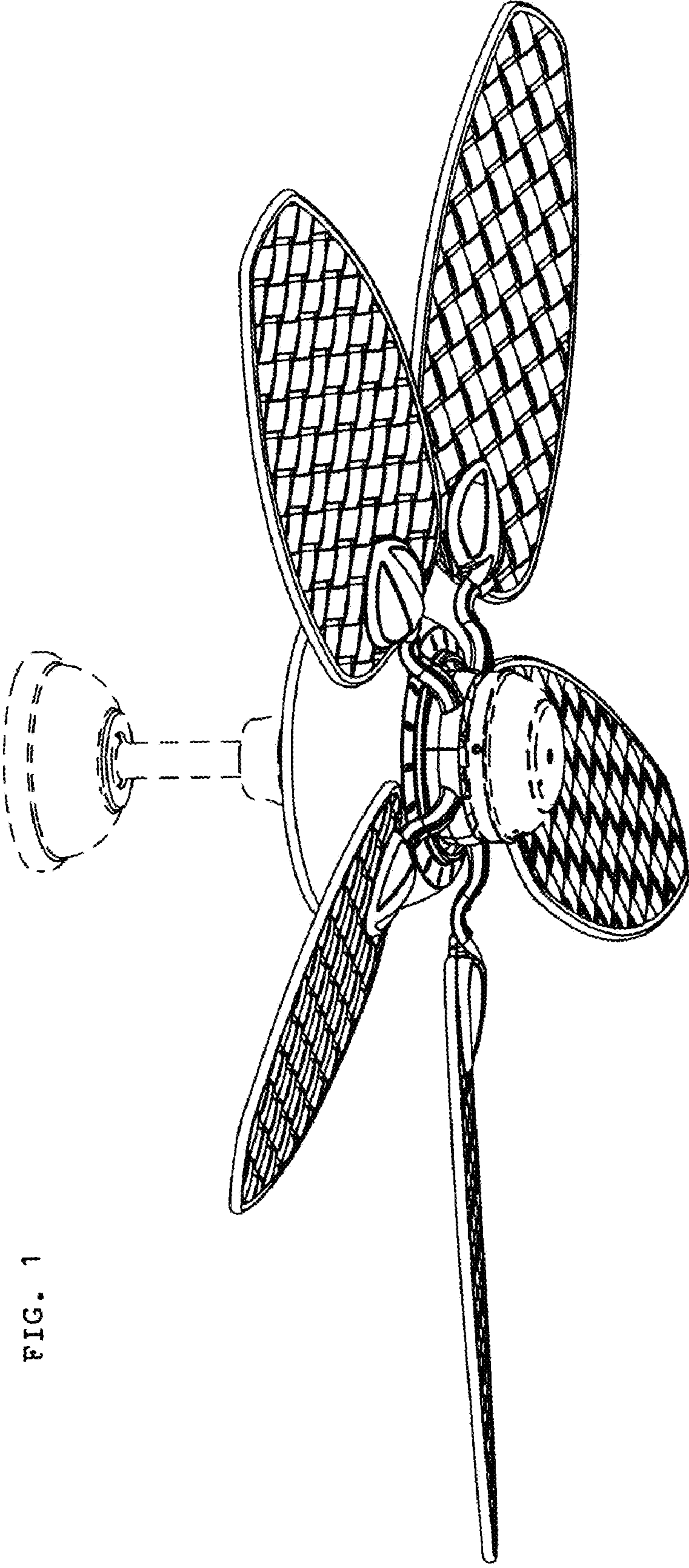


FIG. 1

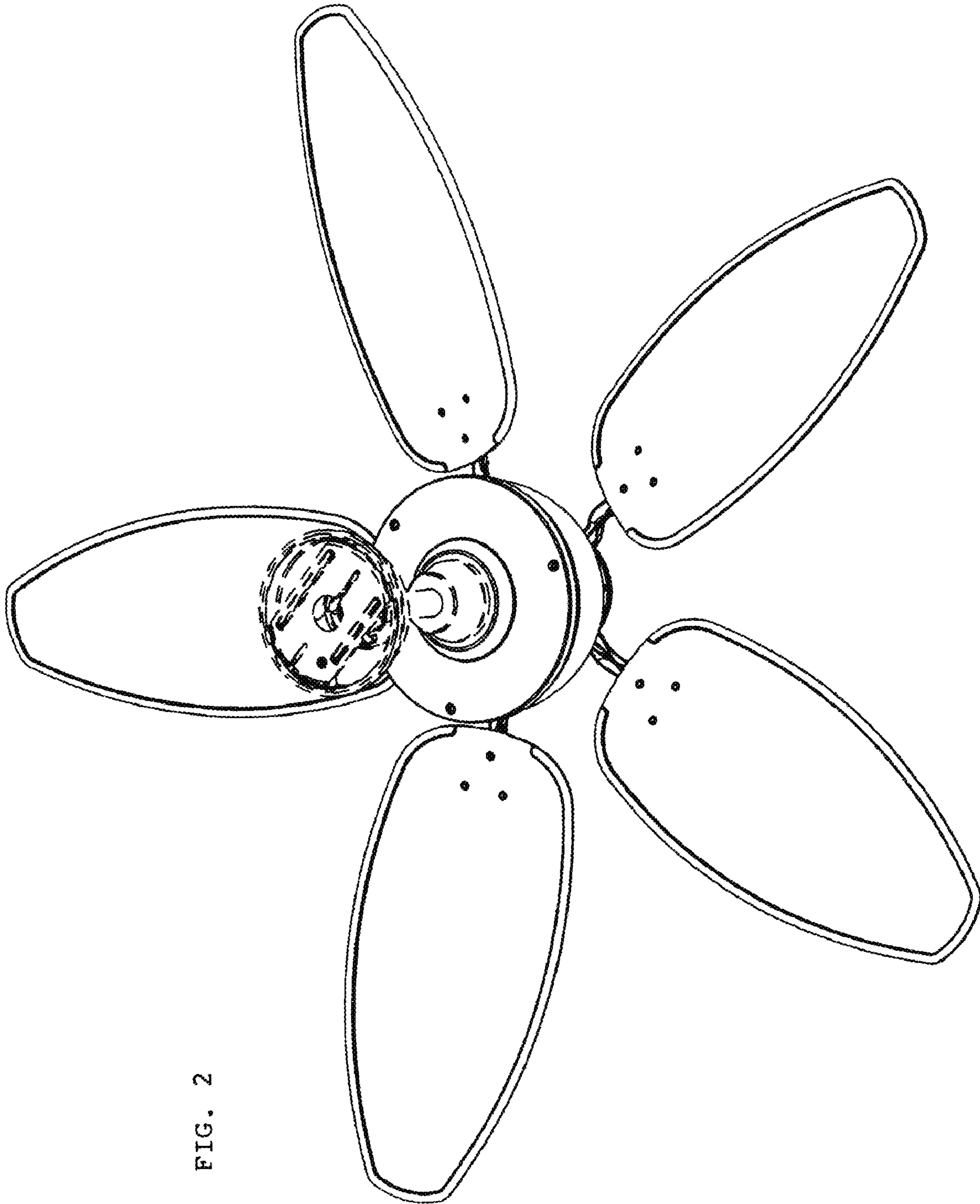


FIG. 2

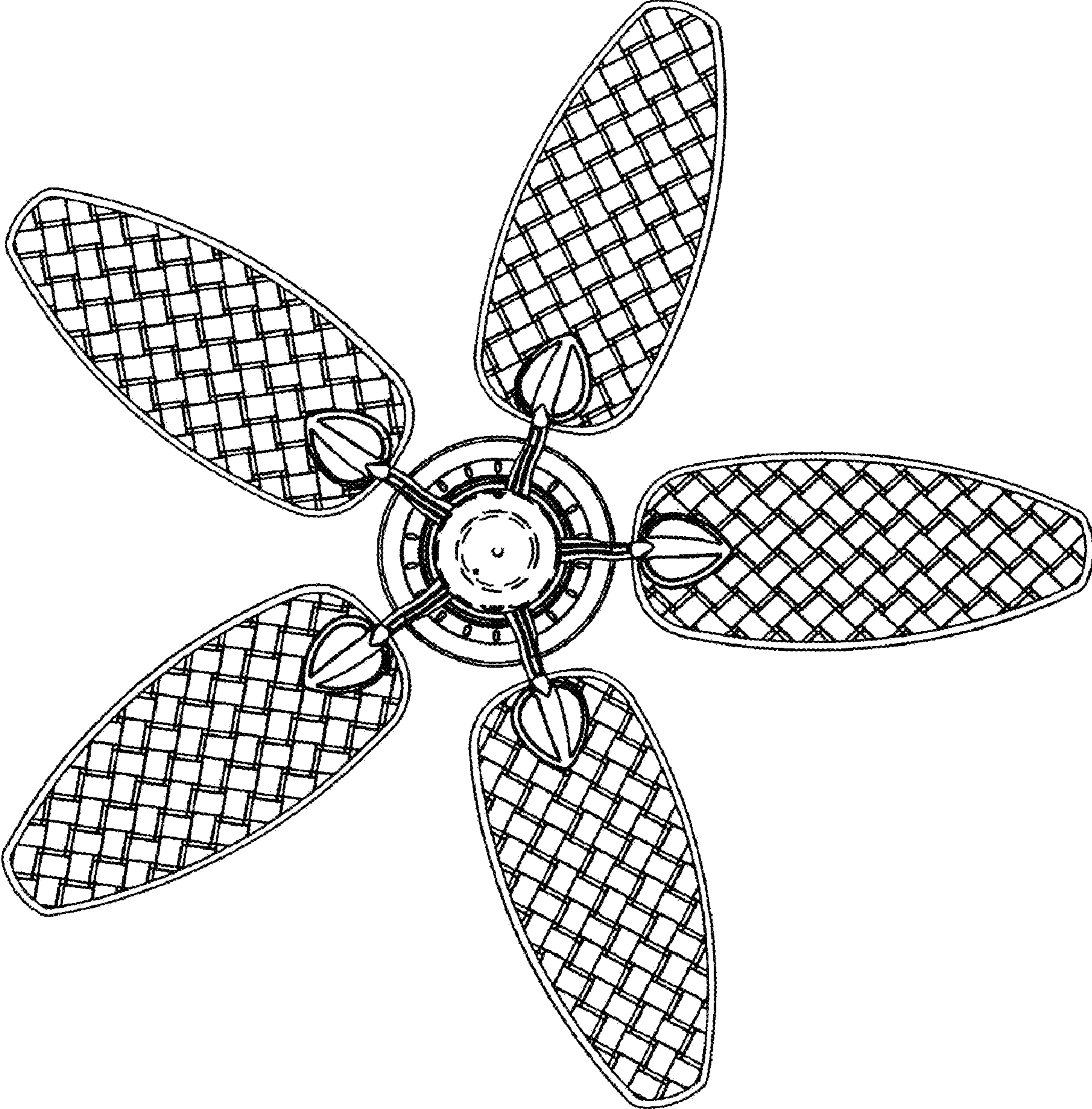


FIG. 3

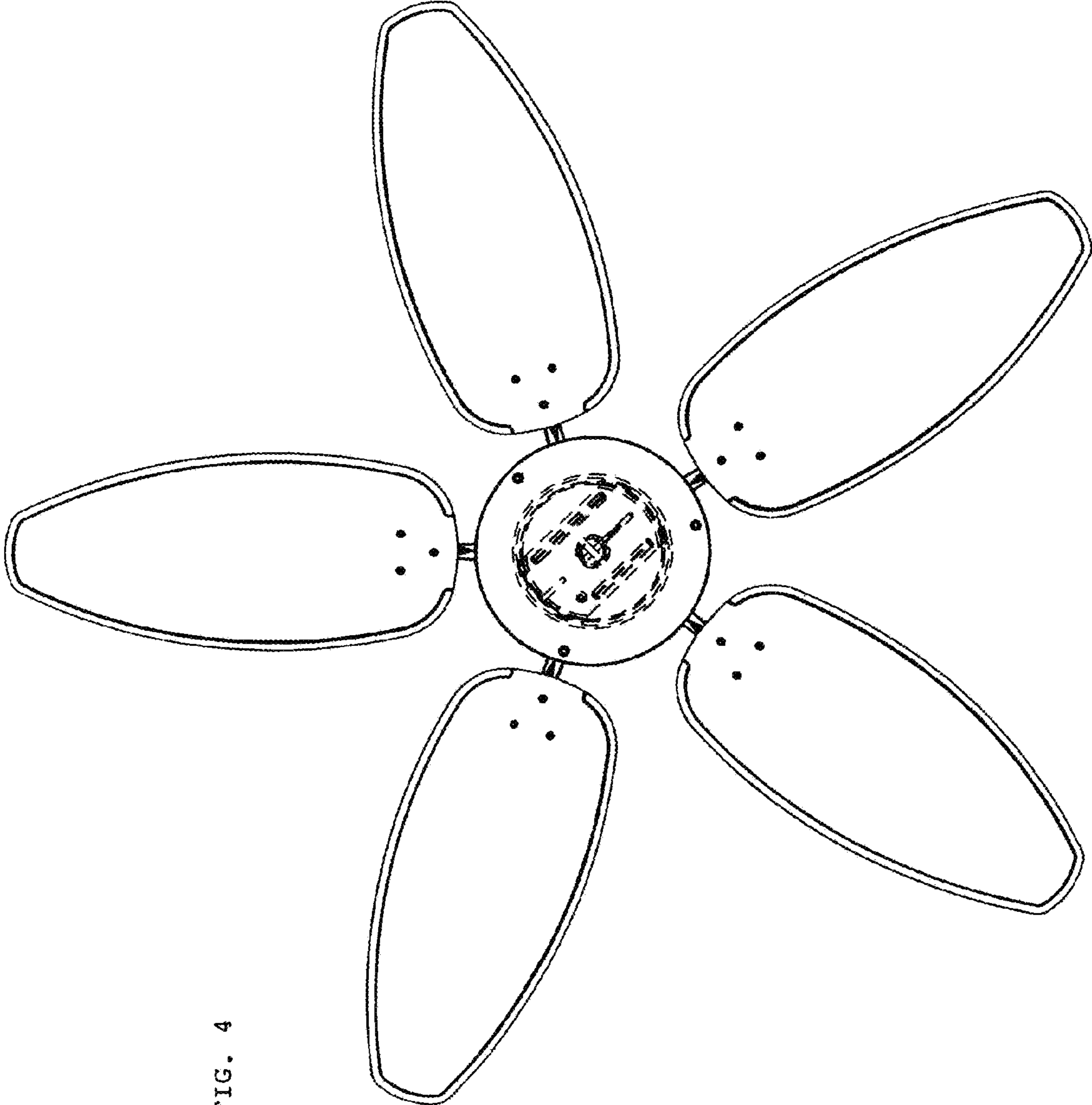


FIG. 4

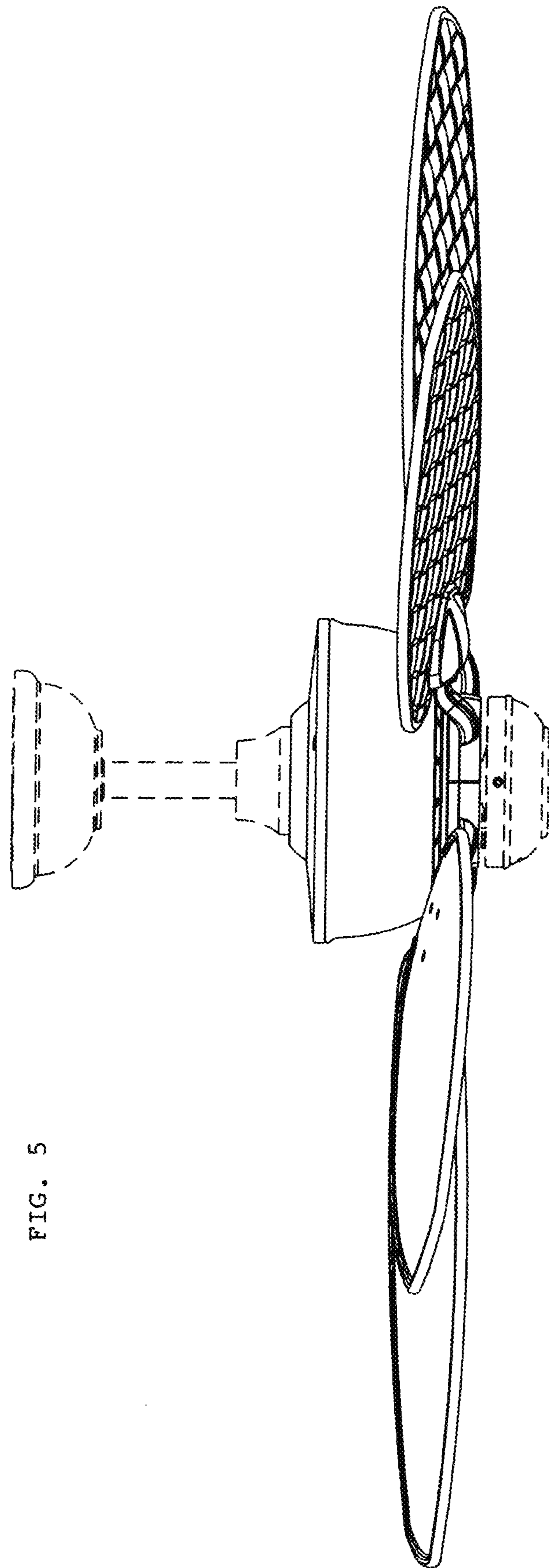


FIG. 5

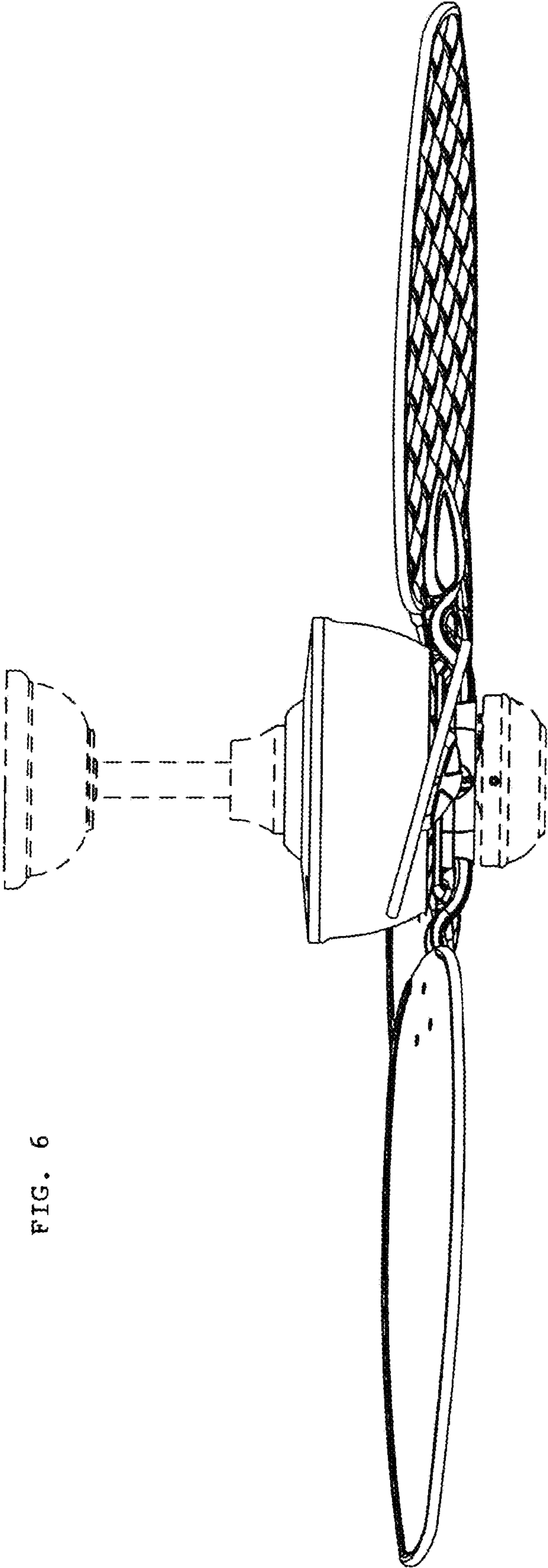


FIG. 6

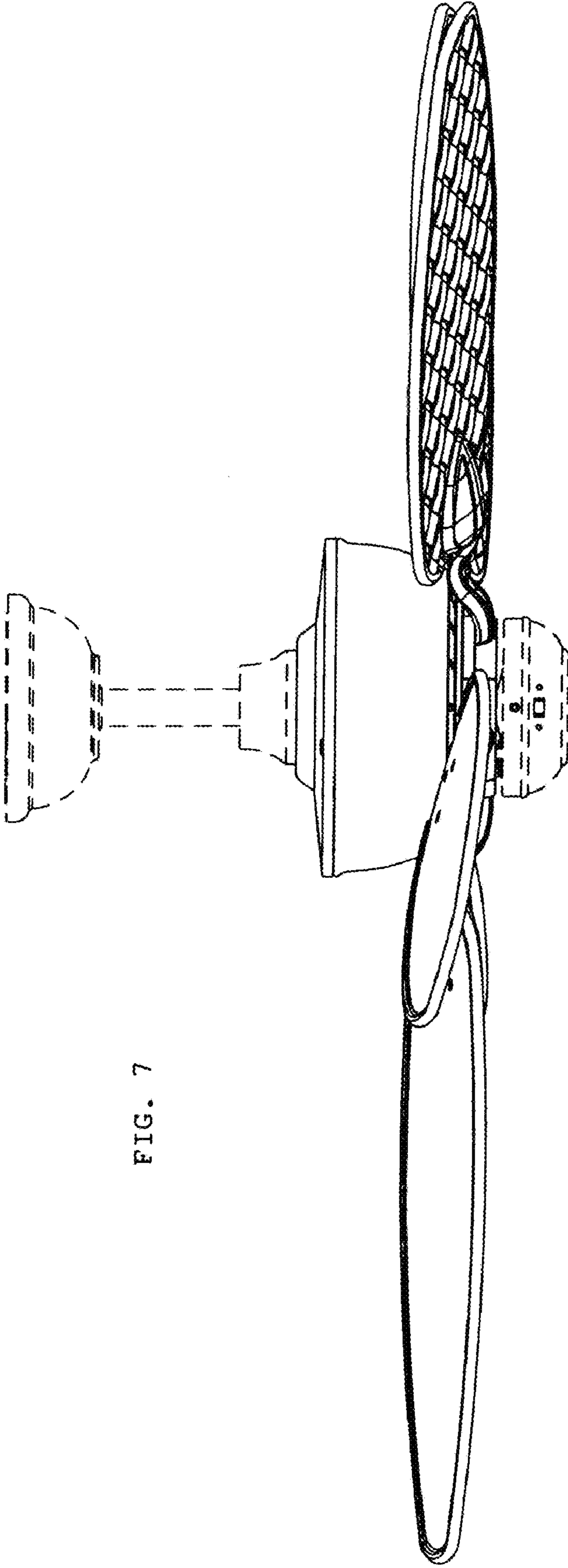


FIG. 7

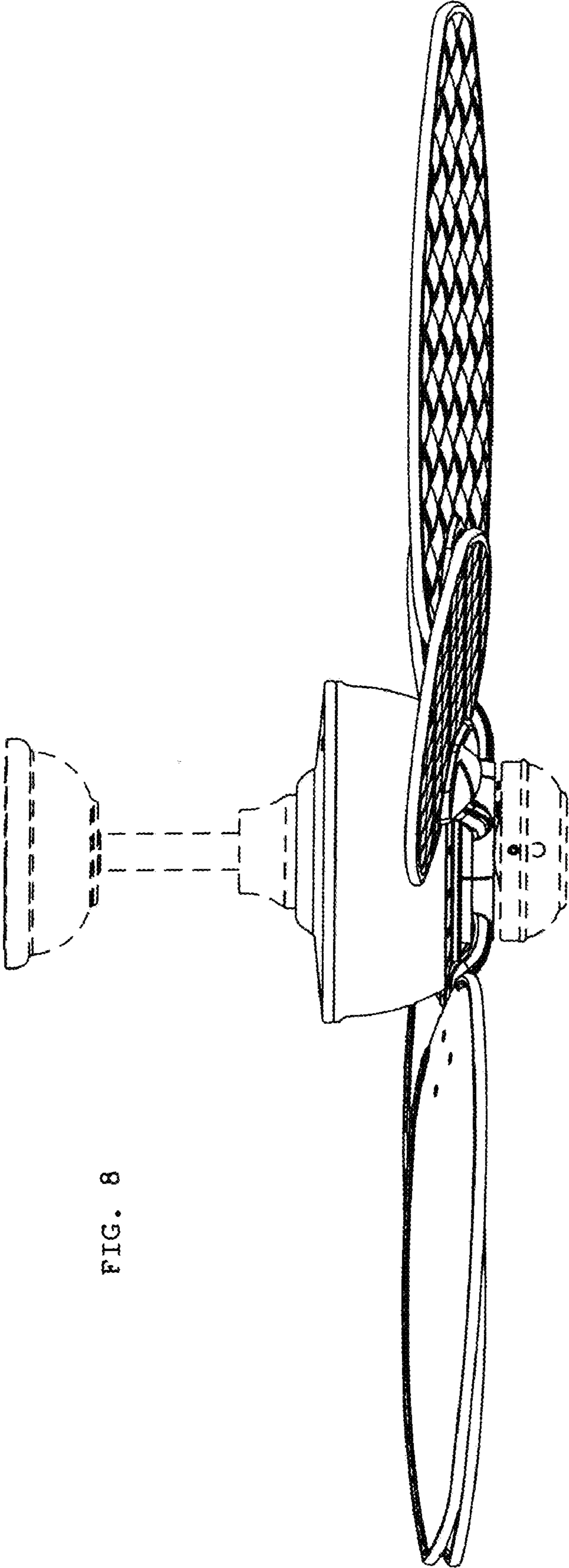


FIG. 8