

US00D672446S

(12) **United States Design Patent**
Smith, III et al.

(10) **Patent No.:** **US D672,446 S**

(45) **Date of Patent:** **** Dec. 11, 2012**

(54) **ENCLOSURE FOR THE END OF A FORCED AIR HEATER**

(75) Inventors: **Anderson Quillian Smith, III**, York, PA (US); **Anthony Russell Rogers**, Newtown, PA (US)

(73) Assignee: **Pinnacle Products International, Inc.**, Yardley, PA (US)

(**) Term: **14 Years**

(21) Appl. No.: **29/422,436**

(22) Filed: **May 21, 2012**

(51) **LOC (9) Cl.** **23-03**

(52) **U.S. Cl.** **D23/317**

(58) **Field of Classification Search** D23/314, D23/317, 332, 342, 333, 334, 335, 337, 351, D23/355, 378, 370, 387, 364, 336, 341, 383; 392/365, 367, 347, 350, 373; 416/244 R; D34/12

See application file for complete search history.

(56) **References Cited**

U.S. PATENT DOCUMENTS

2,027,605	A *	1/1936	McCord et al.	392/380
D202,009	S *	8/1965	Schofield et al.	D23/317
D202,010	S *	8/1965	Schofield et al.	D23/317
D215,094	S *	9/1969	Ringis et al.	D23/317
D256,273	S *	8/1980	Townsend et al.	D23/336
4,443,187	A *	4/1984	Shaftner et al.	432/222
D330,756	S *	11/1992	Davies et al.	D23/338
D465,632	S *	11/2002	Koppes et al.	D34/17
D509,938	S *	9/2005	Belmont et al.	D34/12

D541,916	S *	5/2007	Noyer et al.	D23/314
D577,173	S *	9/2008	Pitchford et al.	D34/12
D578,193	S *	10/2008	Lo	D23/336
D598,526	S *	8/2009	Pitchford et al.	D23/317
D606,637	S *	12/2009	Wakabayashi et al.	D23/317
D617,434	S *	6/2010	Aregger et al.	D23/317
8,055,478	B2 *	11/2011	McCalley et al.	702/188
D663,812	S *	7/2012	Cassell et al.	D23/317
D663,815	S *	7/2012	Cassell et al.	D23/317
2011/0268429	A1 *	11/2011	Vandrak et al.	392/365

* cited by examiner

Primary Examiner — Eric Goodman

(74) *Attorney, Agent, or Firm* — Volpe and Koenig, P.C.

(57) **CLAIM**

The ornamental design for an enclosure for the end of a forced air heater, as shown and described.

DESCRIPTION

FIG. 1 is a perspective view for an enclosure for the end of a forced air heater according to the invention;

FIG. 2 is an enlarged front perspective of the enclosure on a fragment of the environment;

FIG. 3 is an enlarged rear perspective of the enclosure on a fragment of the environment;

FIG. 4 is a right side elevation of FIG. 2;

FIG. 5 is a left side elevation of FIG. 2;

FIG. 6 is a front elevation of FIG. 2;

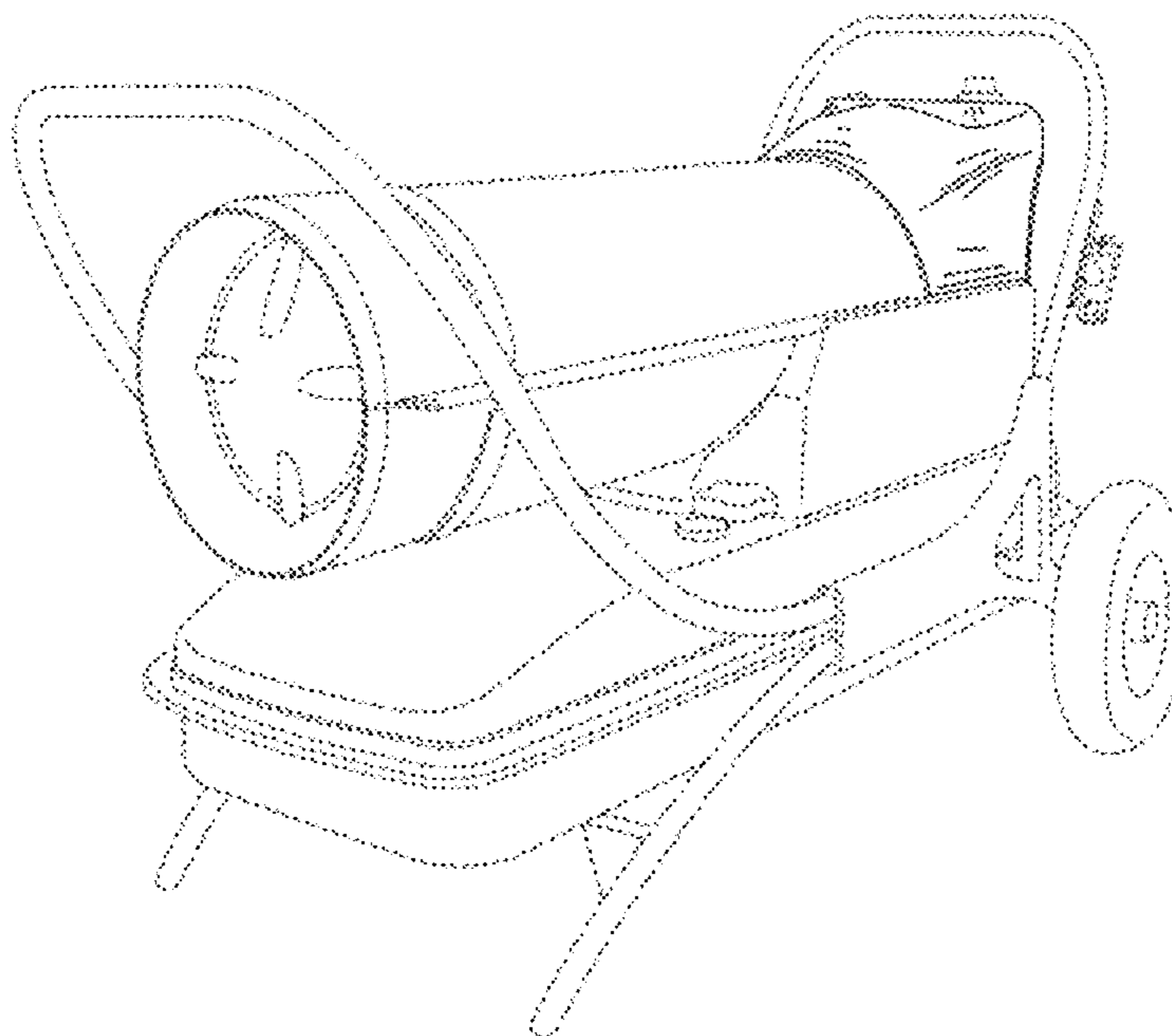
FIG. 7 is a rear elevation of FIG. 2;

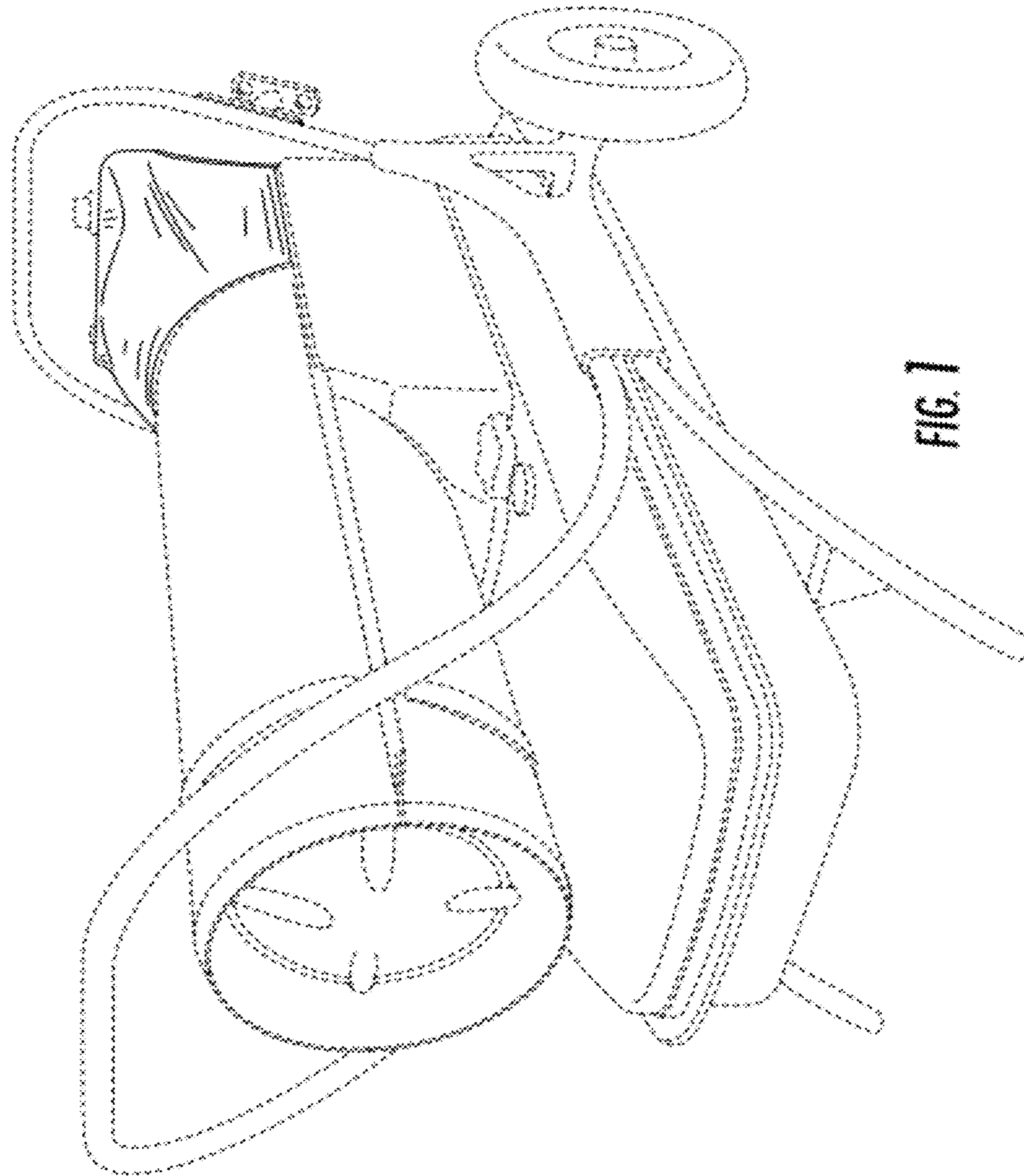
FIG. 8 is a top plan view of FIG. 2; and,

FIG. 9 is a bottom plan view of FIG. 2.

The broken line showing is included for the purpose of illustrating portions of the article and forms no part of the claimed design.

1 Claim, 9 Drawing Sheets





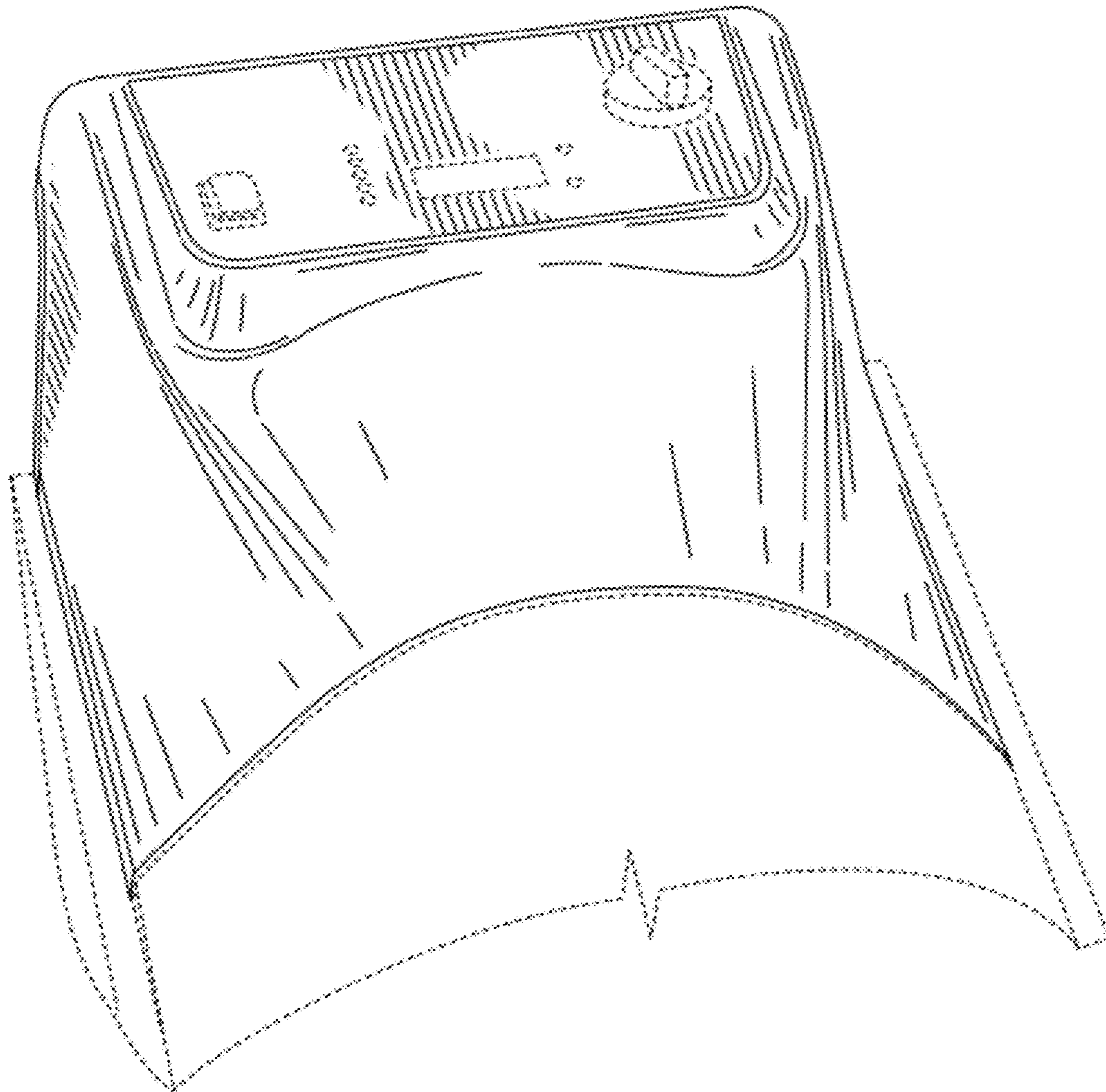


FIG. 2

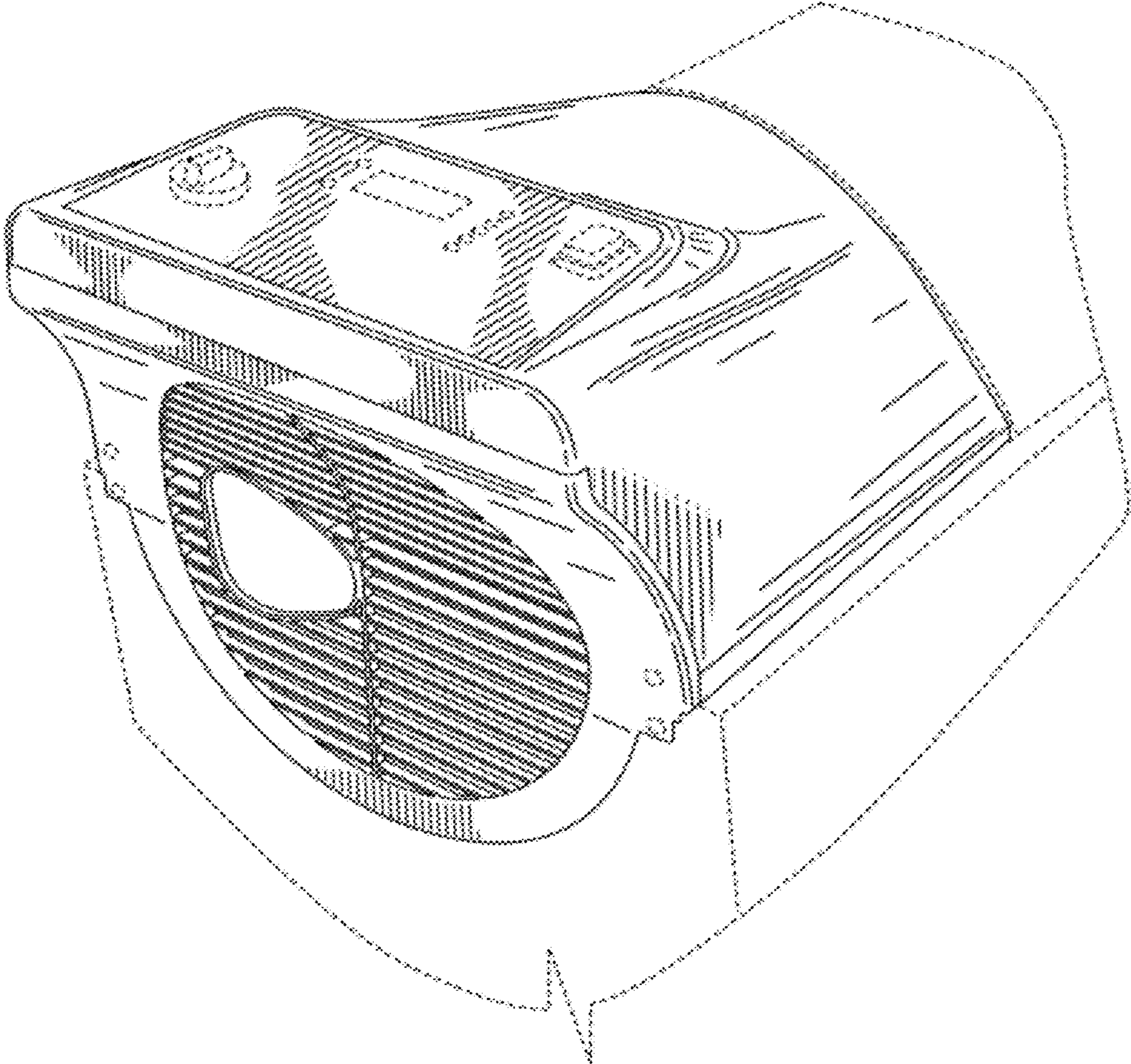


FIG. 3

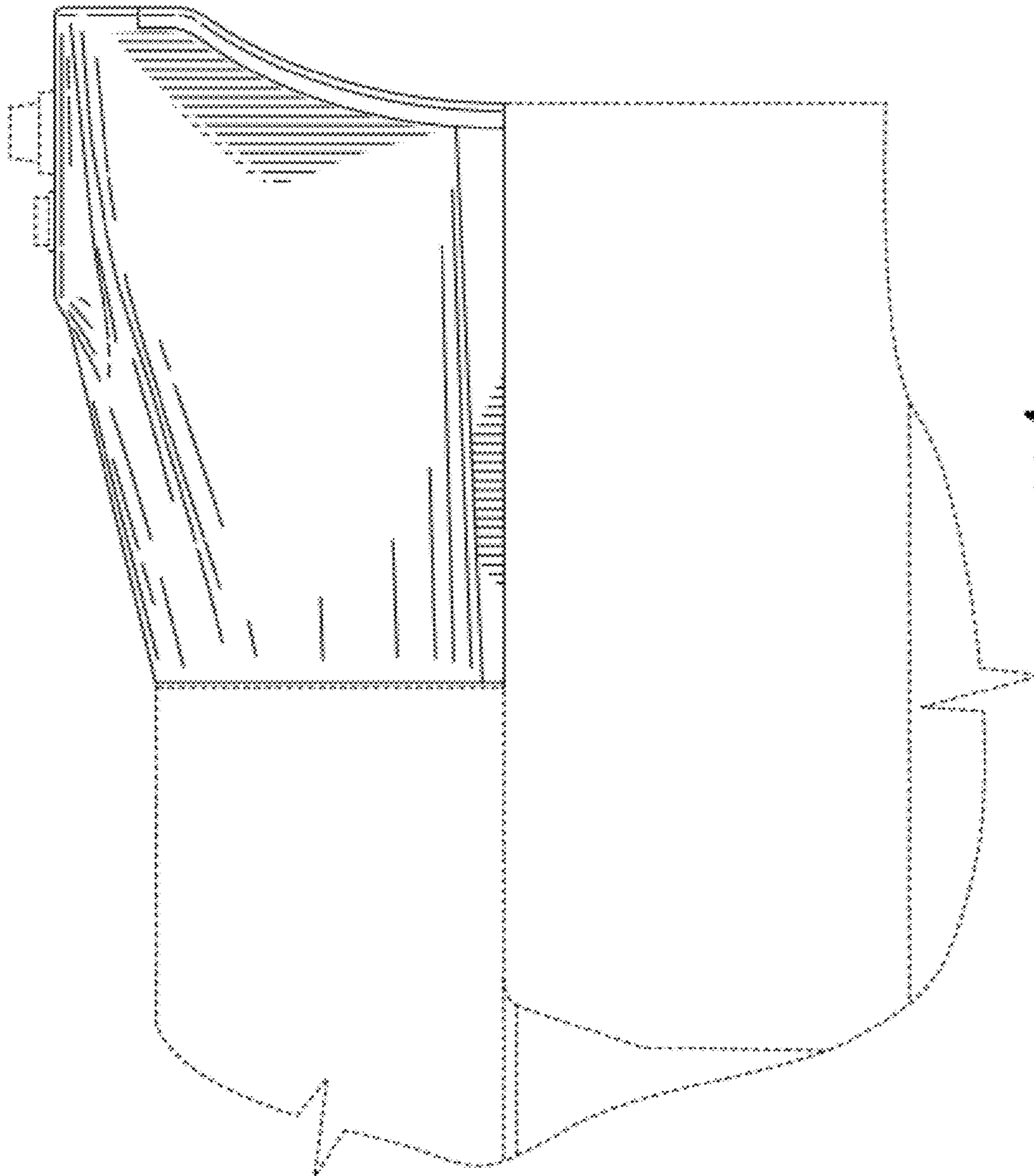


FIG. 4

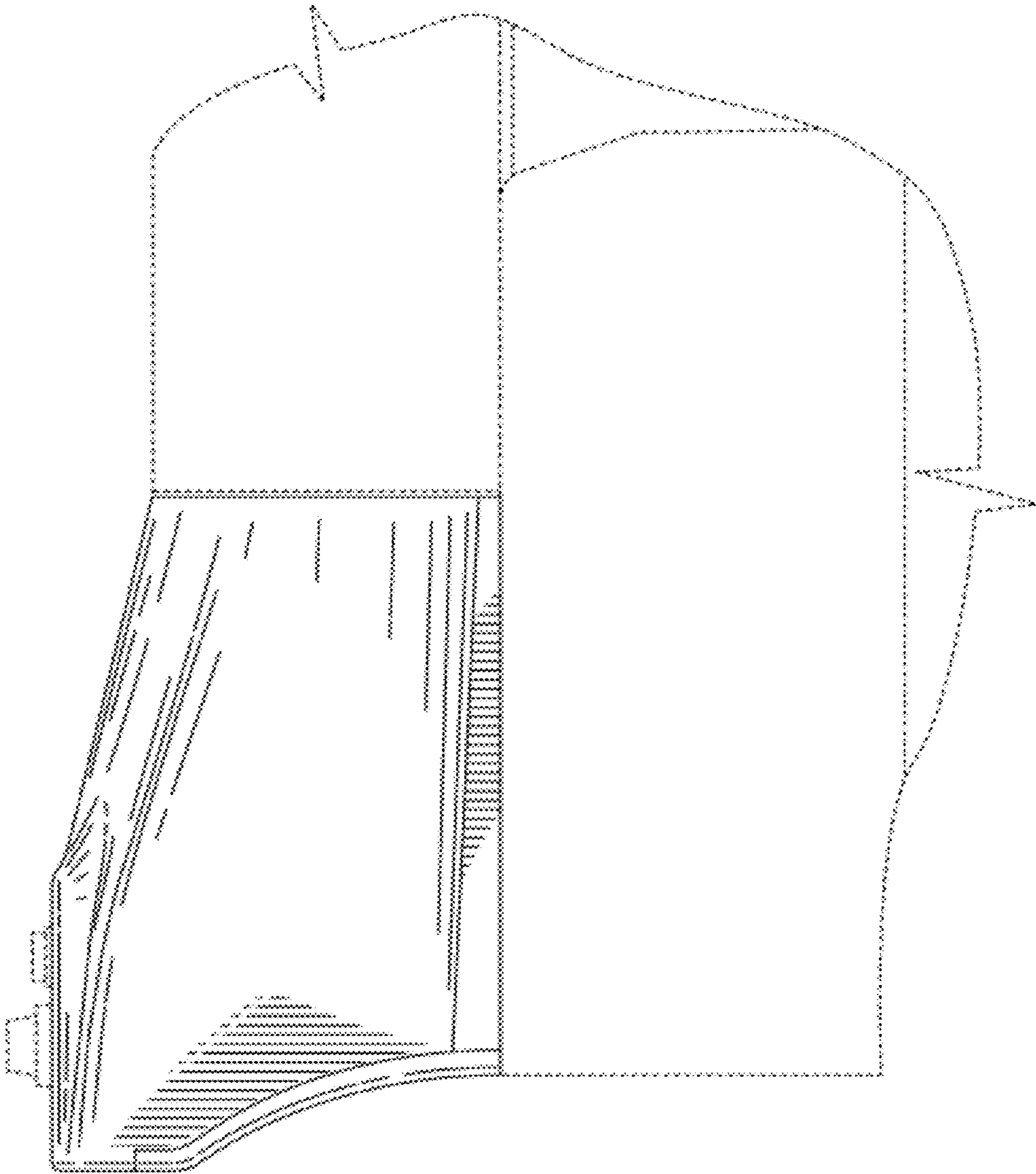


FIG. 5

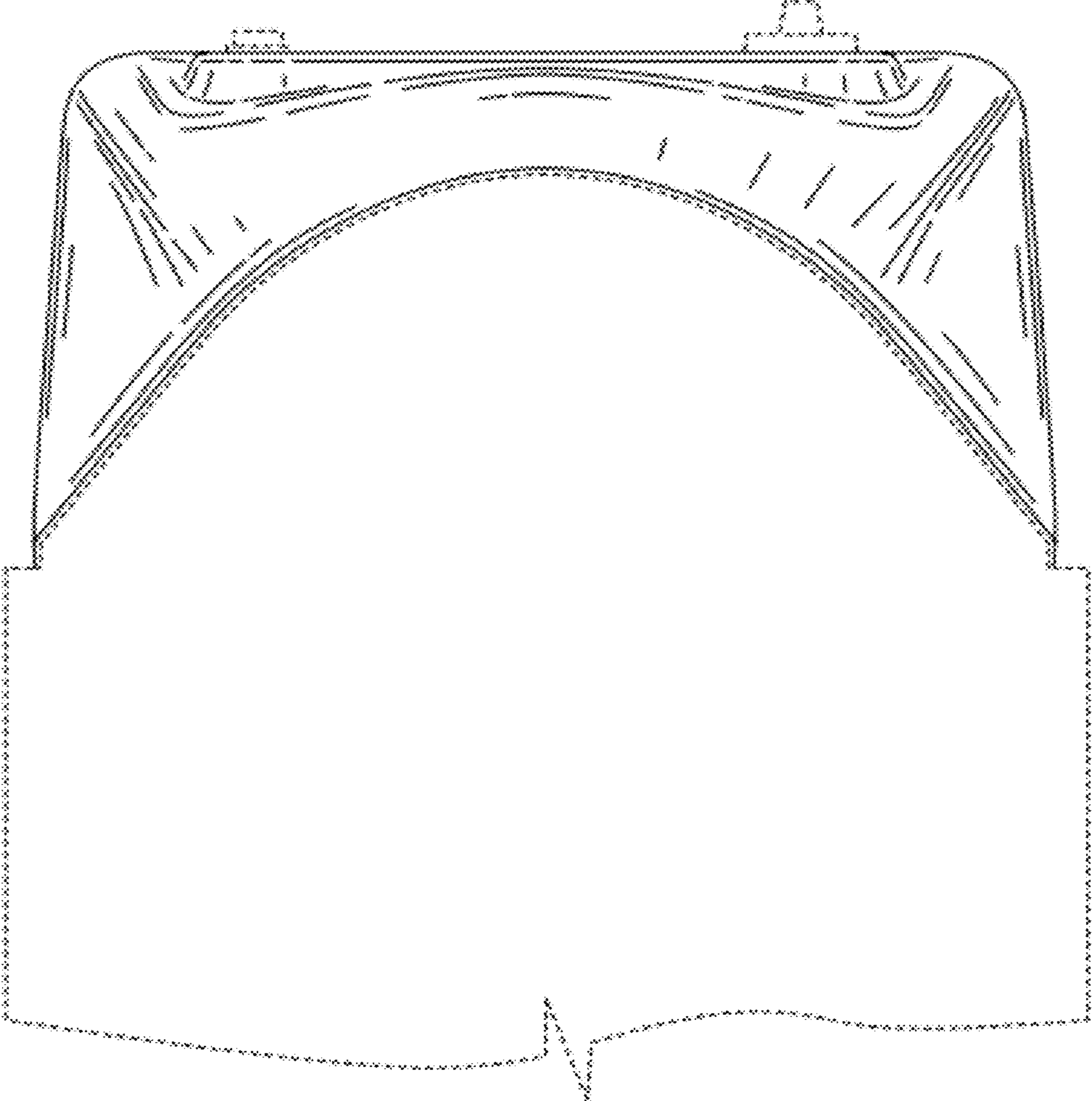


FIG. 6

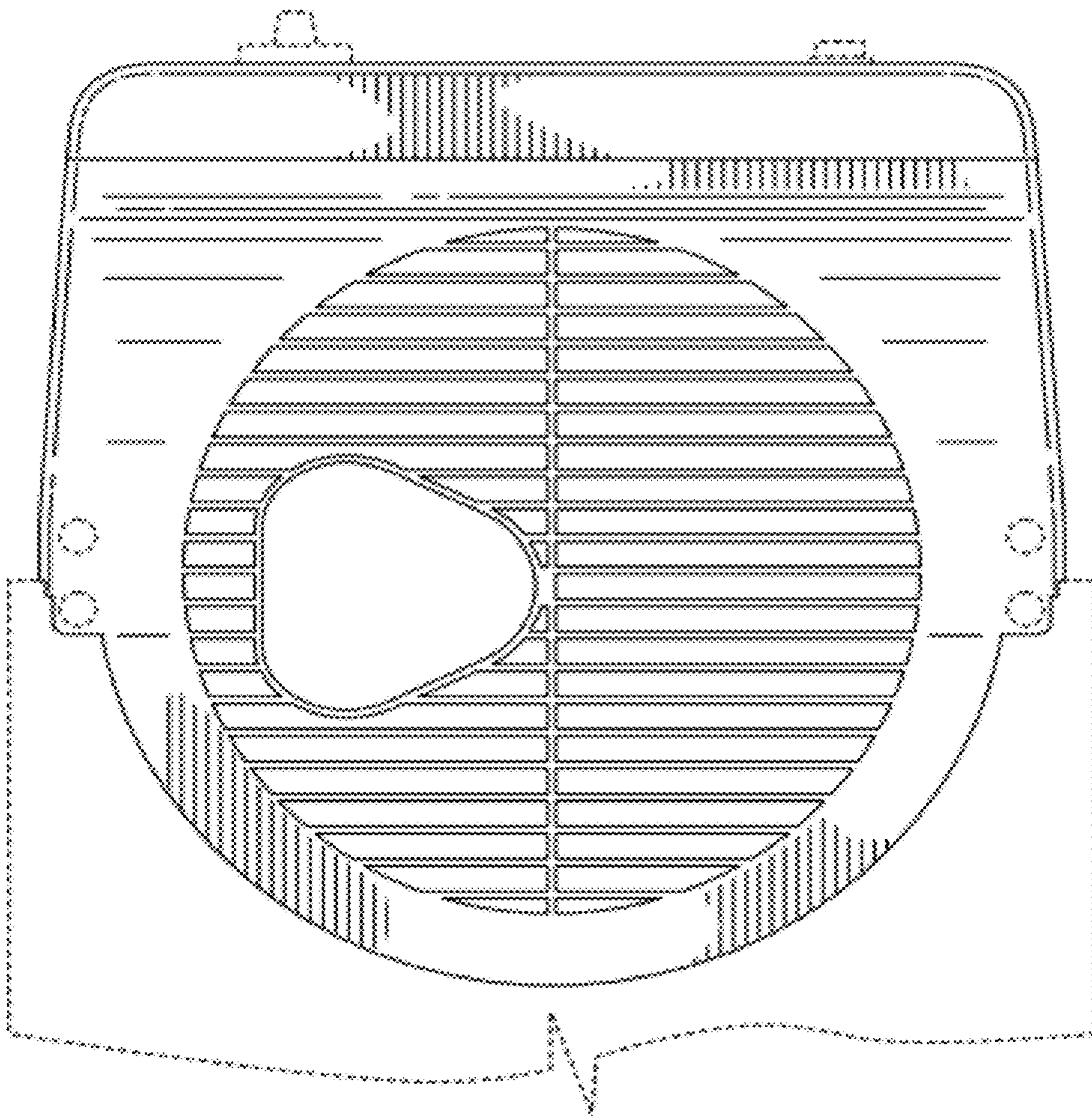


FIG. 7

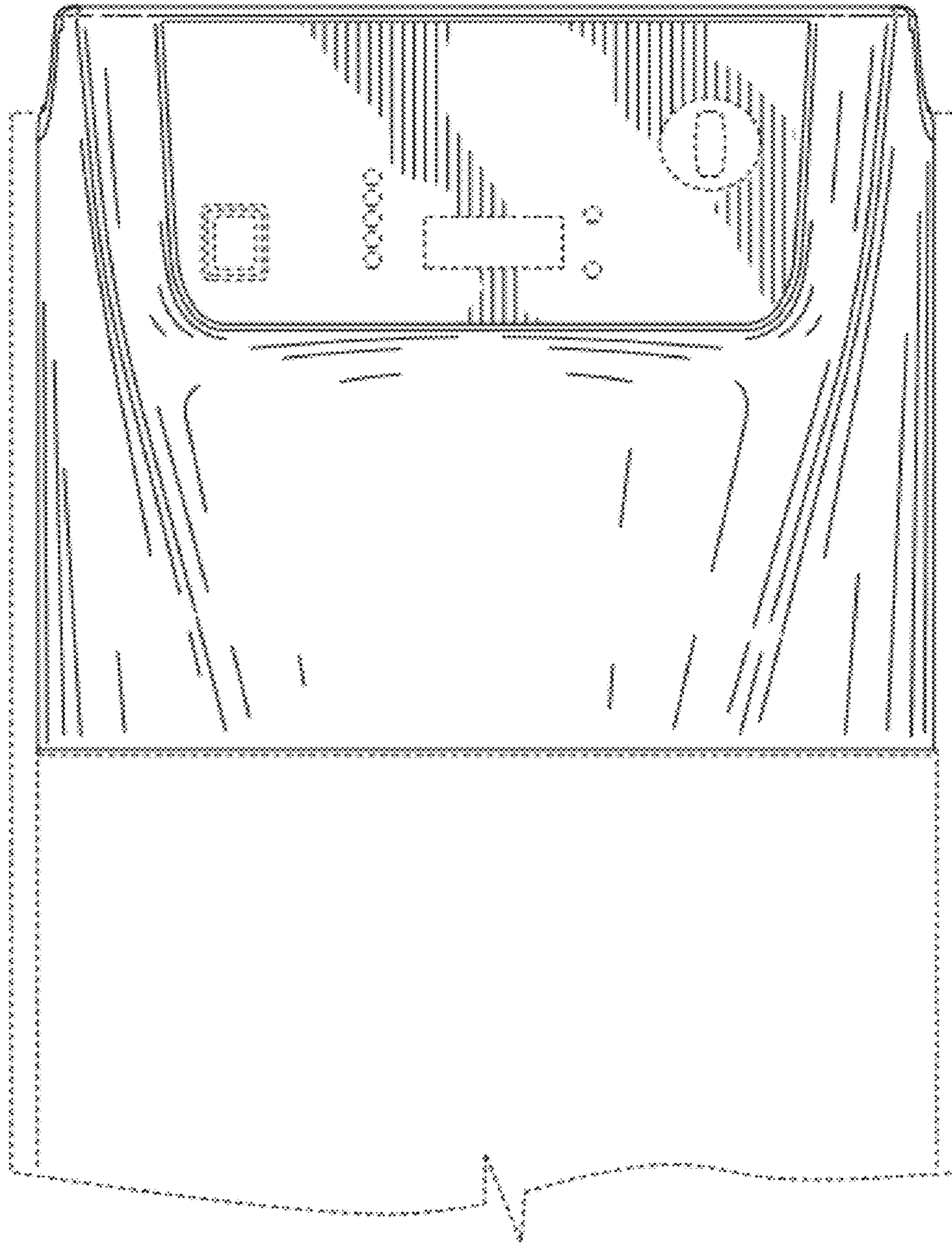


FIG. 8

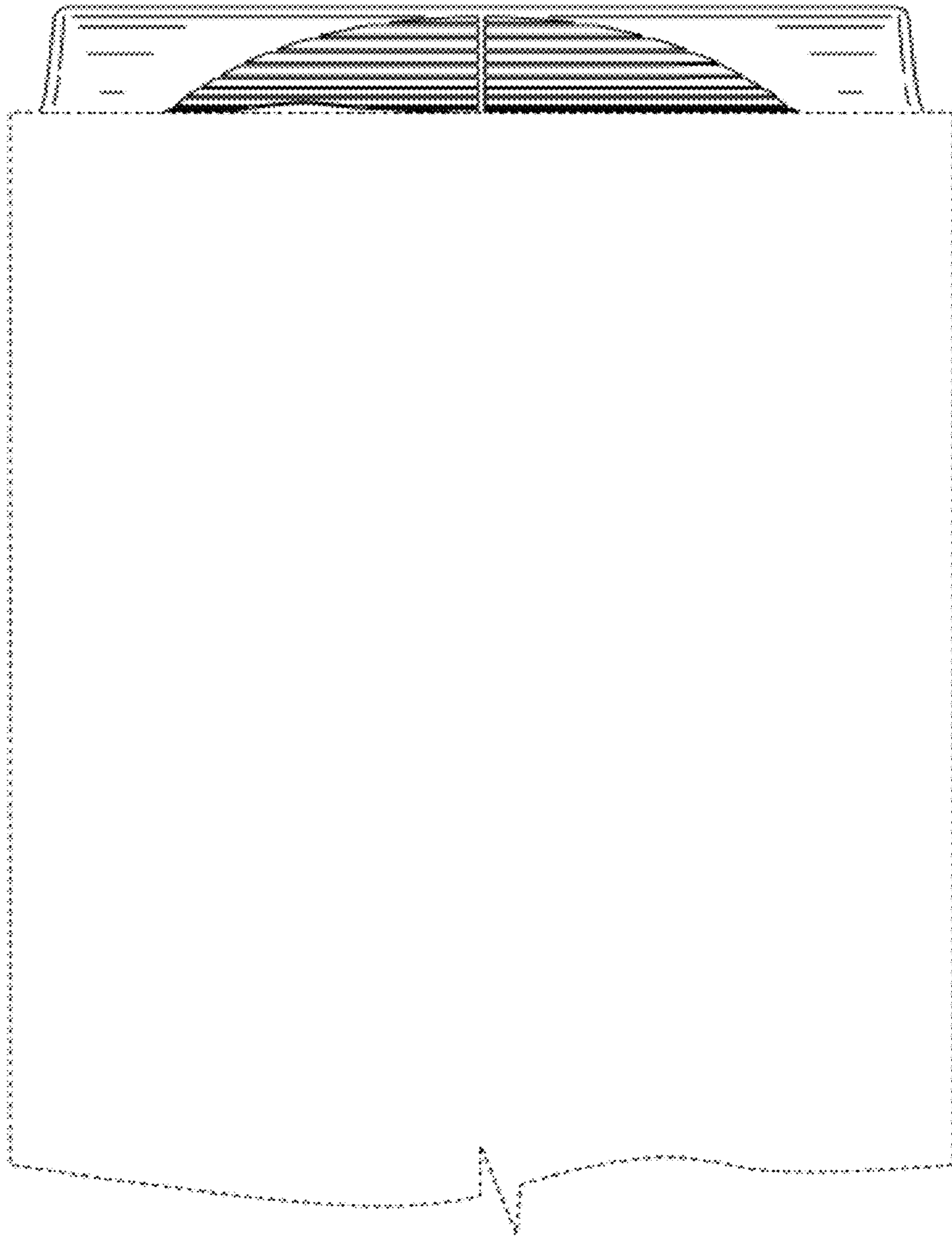


FIG. 9