

US00D672444S

(12) **United States Design Patent**
Smith et al.

(10) **Patent No.:** **US D672,444 S**
(45) **Date of Patent:** **** Dec. 11, 2012**

- (54) **FRAME FOR A FORCED AIR HEATER**
 - (75) Inventors: **Anderson Quillian Smith**, York, PA
(US); **Anthony Russell Rogers**,
Newtown, PA (US)
 - (73) Assignee: **Pinnacle Products International, Inc.**,
Yardley, PA (US)
 - (**) Term: **14 Years**
 - (21) Appl. No.: **29/422,434**
 - (22) Filed: **May 21, 2012**
 - (51) **LOC (9) Cl.** **23-03**
 - (52) **U.S. Cl.** **D23/317**
 - (58) **Field of Classification Search** D23/314,
D23/317, 332, 342, 333, 334, 335, 337, 351,
D23/355, 378, 370, 387, 364, 336, 341, 383;
392/365, 367, 347, 350, 373; 416/244 R;
D34/12
- See application file for complete search history.

D541,916 S *	5/2007	Noyer et al.	D23/314
D577,173 S *	9/2008	Pitchford et al.	D34/12
D578,193 S *	10/2008	Lo	D23/336
D598,526 S *	8/2009	Pitchford et al.	D23/317
D606,637 S *	12/2009	Wakabayashi et al.	D23/317
D617,434 S *	6/2010	Aregger et al.	D23/317
8,055,478 B2 *	11/2011	McCalley et al.	702/188
D663,812 S *	7/2012	Cassell et al.	D23/317
D663,815 S *	7/2012	Cassell et al.	D23/317
2011/0268429 A1 *	11/2011	Vandrak et al.	392/365

* cited by examiner

Primary Examiner — Eric Goodman

(74) *Attorney, Agent, or Firm* — Volpe and Koenig, P.C.

(57) **CLAIM**

The ornamental design for a frame for a forced air heater, as shown and described.

DESCRIPTION

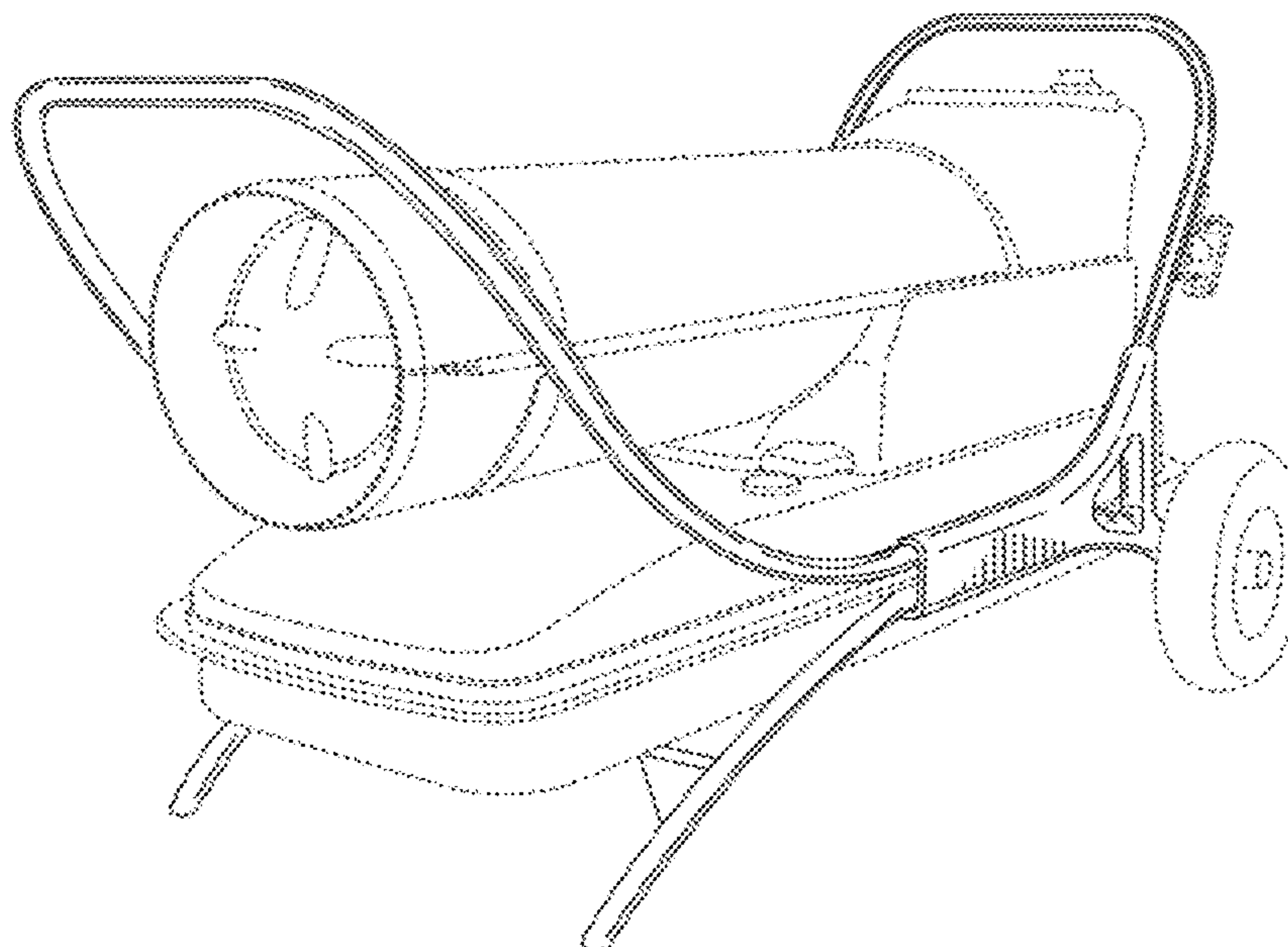
FIG. 1 is a perspective view of a frame for a forced air heater according to the invention;
 FIG. 2 is a front view of the invention in FIG. 1;
 FIG. 3 is a rear view of the invention in FIG. 1;
 FIG. 4 is a left side view of the invention in FIG. 1;
 FIG. 5 is a right side view of the invention in FIG. 1;
 FIG. 6 is a top view of the invention in FIG. 1; and,
 FIG. 7 is a bottom view of the invention in FIG. 1.
 The broken line showing is included for the purpose of illustrating portions of the article and forms no part of the claimed design.

1 Claim, 7 Drawing Sheets

(56) **References Cited**

U.S. PATENT DOCUMENTS

2,027,605 A *	1/1936	McCord et al.	392/380
D202,009 S *	8/1965	Schofield et al.	D23/317
D202,010 S *	8/1965	Schofield et al.	D23/317
D215,094 S *	9/1969	Ringis et al.	D23/317
D256,273 S *	8/1980	Townsend et al.	D23/336
4,443,187 A *	4/1984	Shaftner et al.	432/222
D330,756 S *	11/1992	Davies et al.	D23/338
D465,632 S *	11/2002	Koppes et al.	D34/17
D509,938 S *	9/2005	Belmont et al.	D34/12



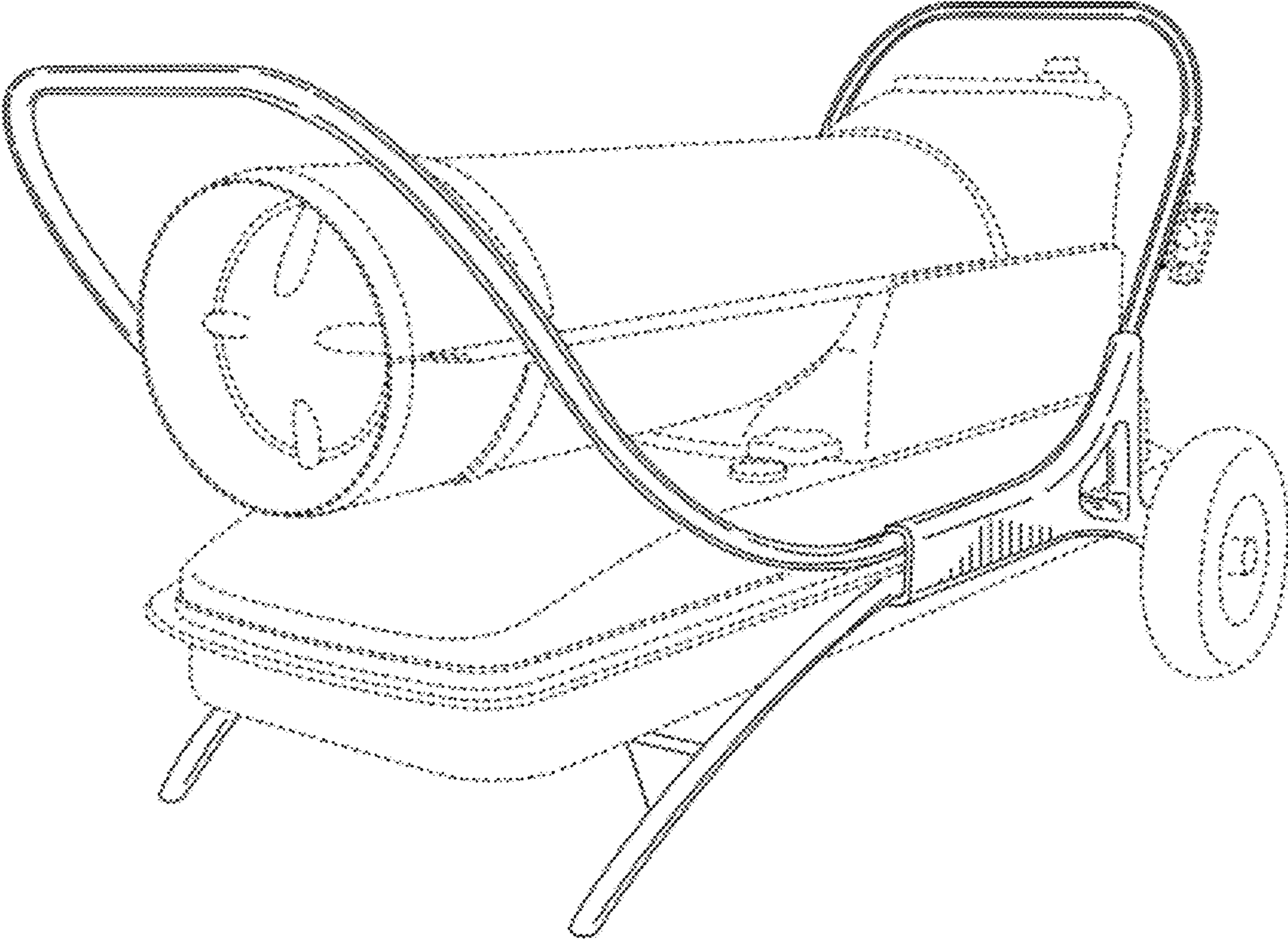


FIG. 1

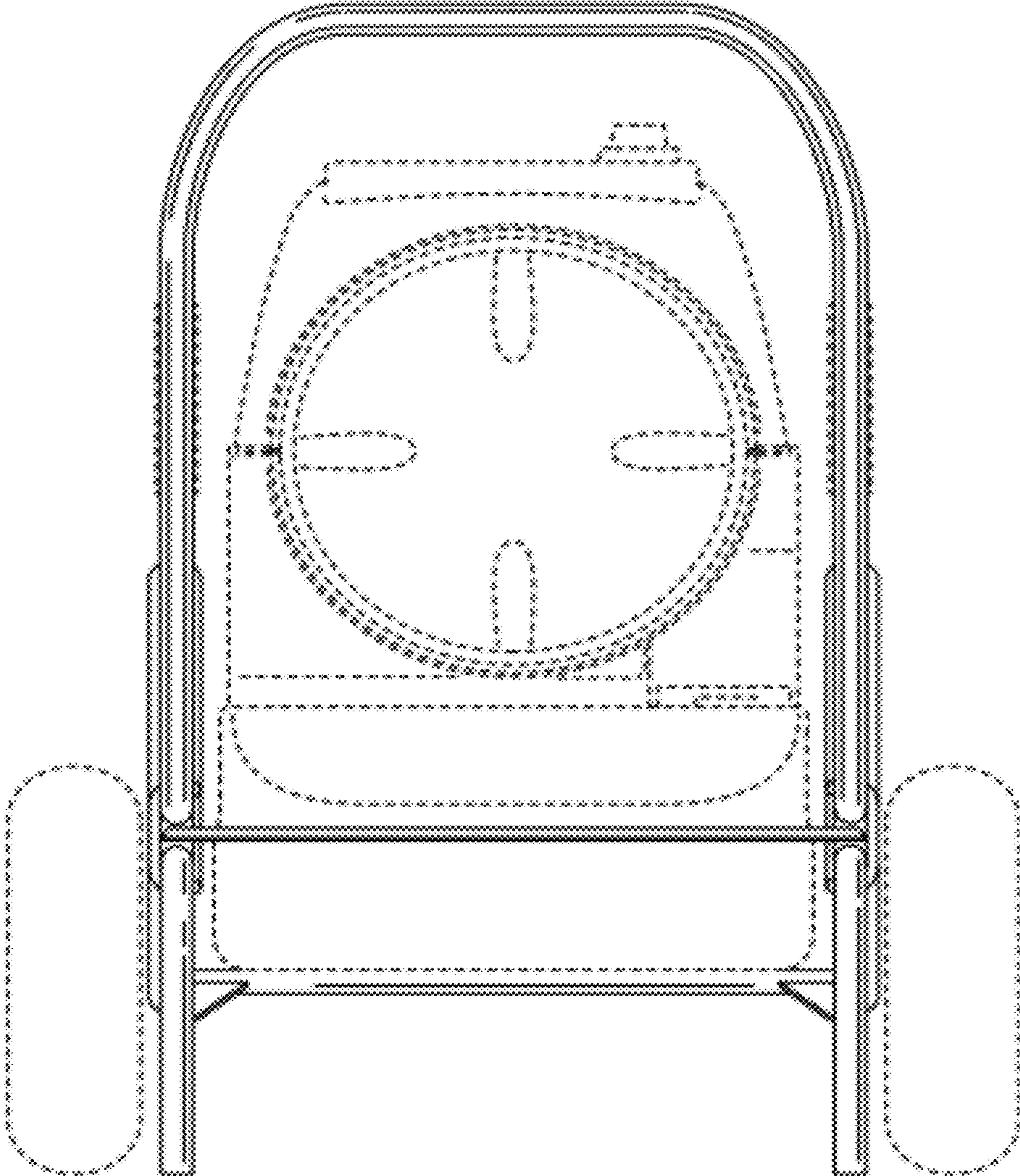


FIG. 2

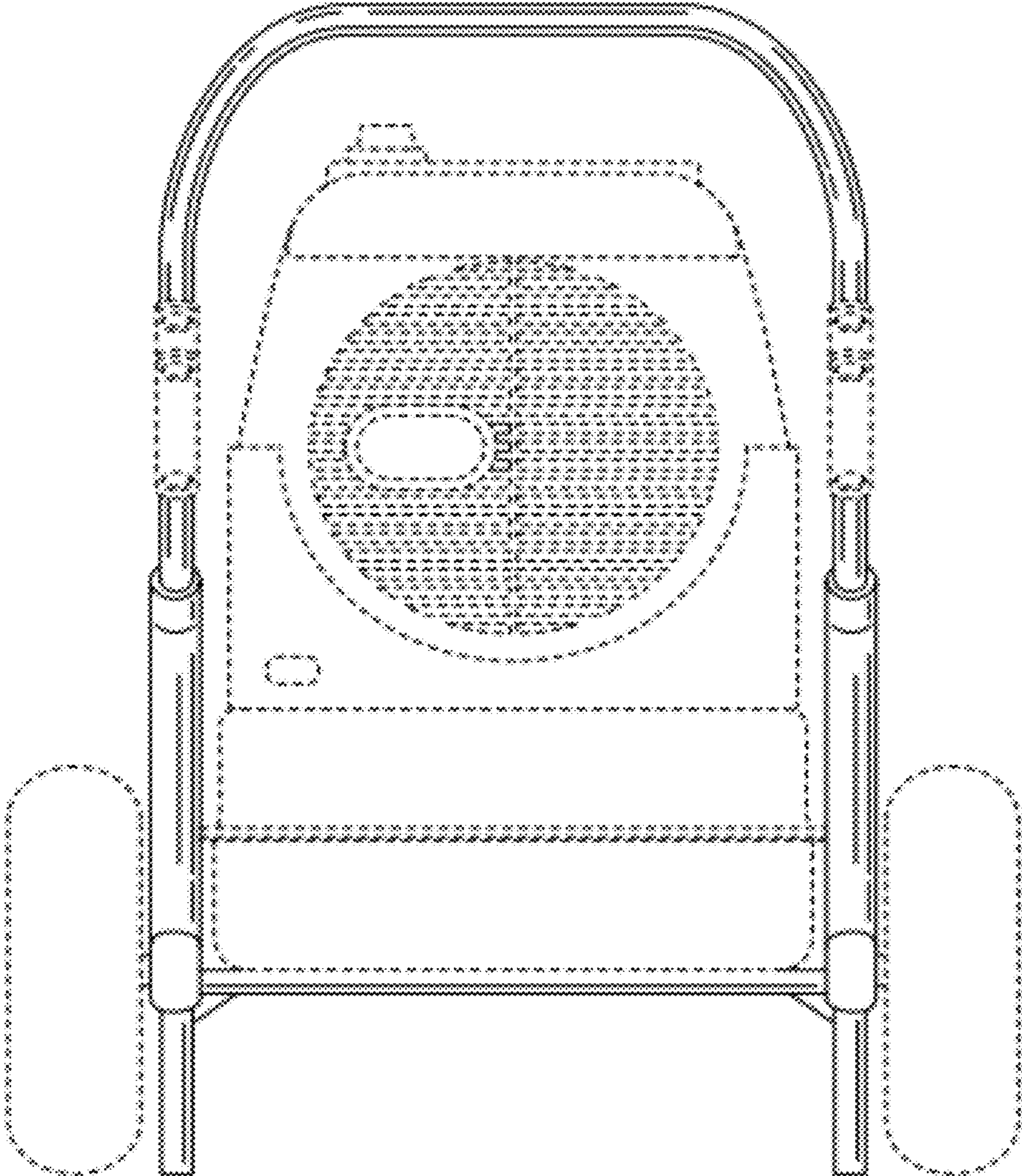


FIG. 3

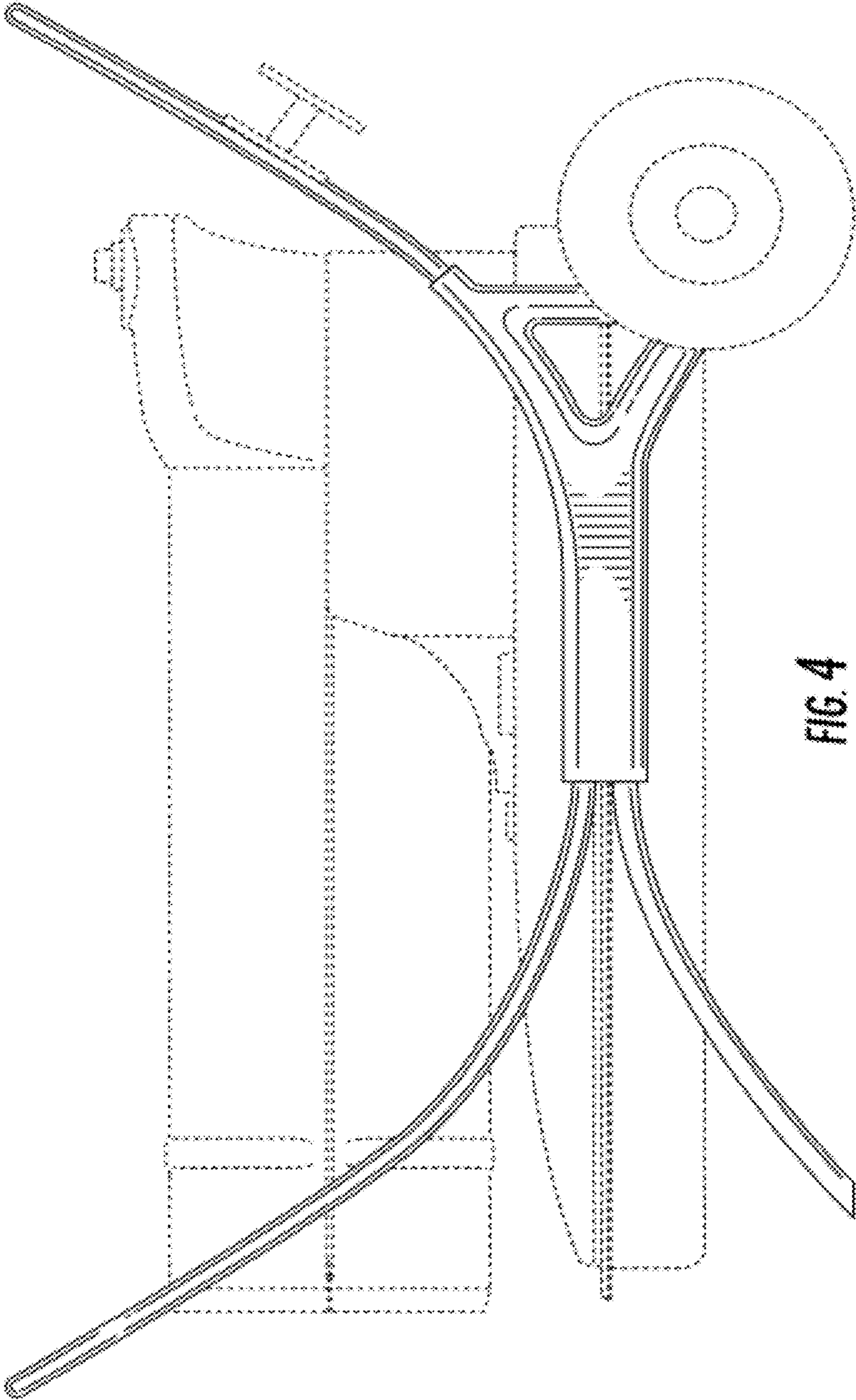


FIG. 4

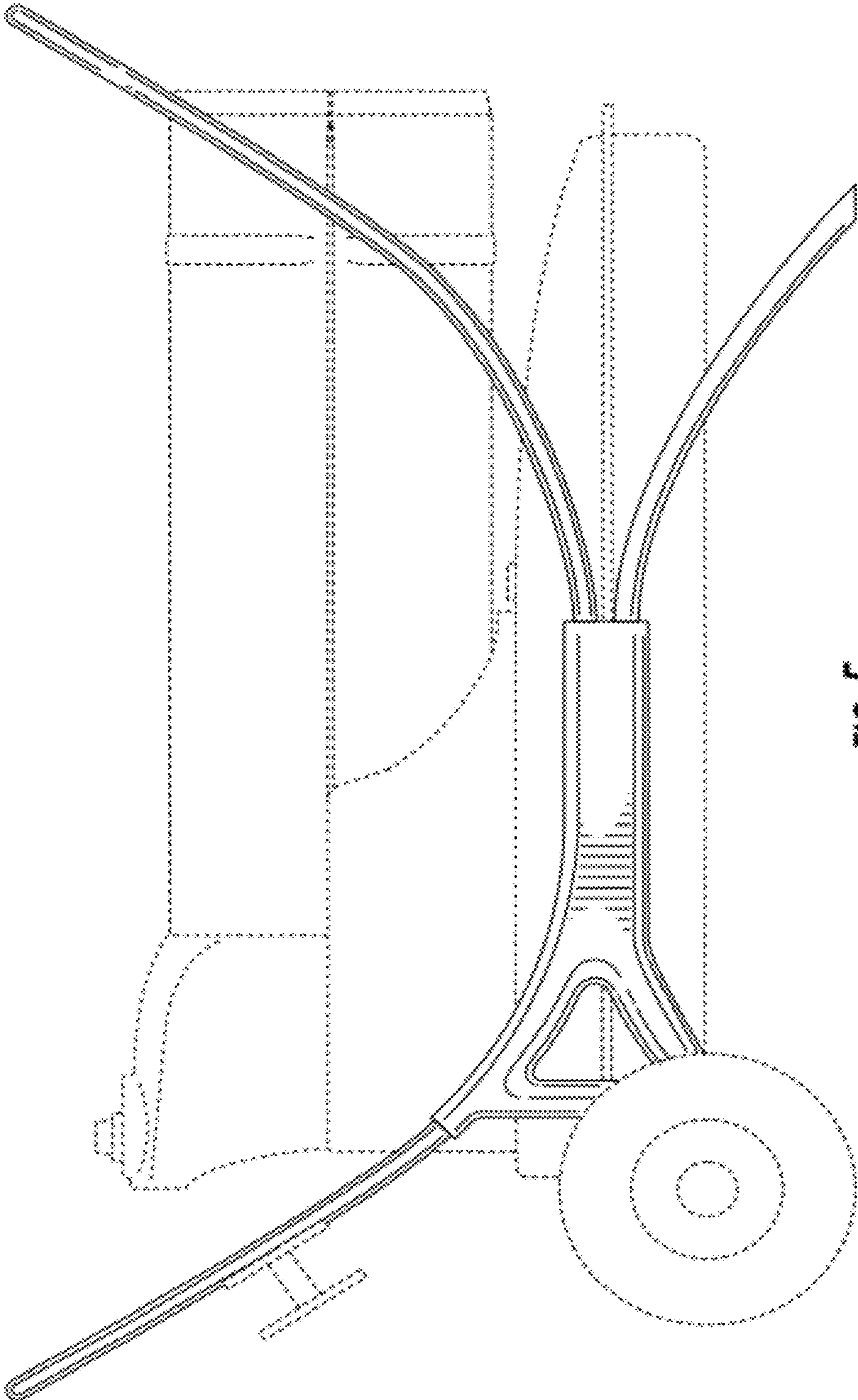


FIG. 5

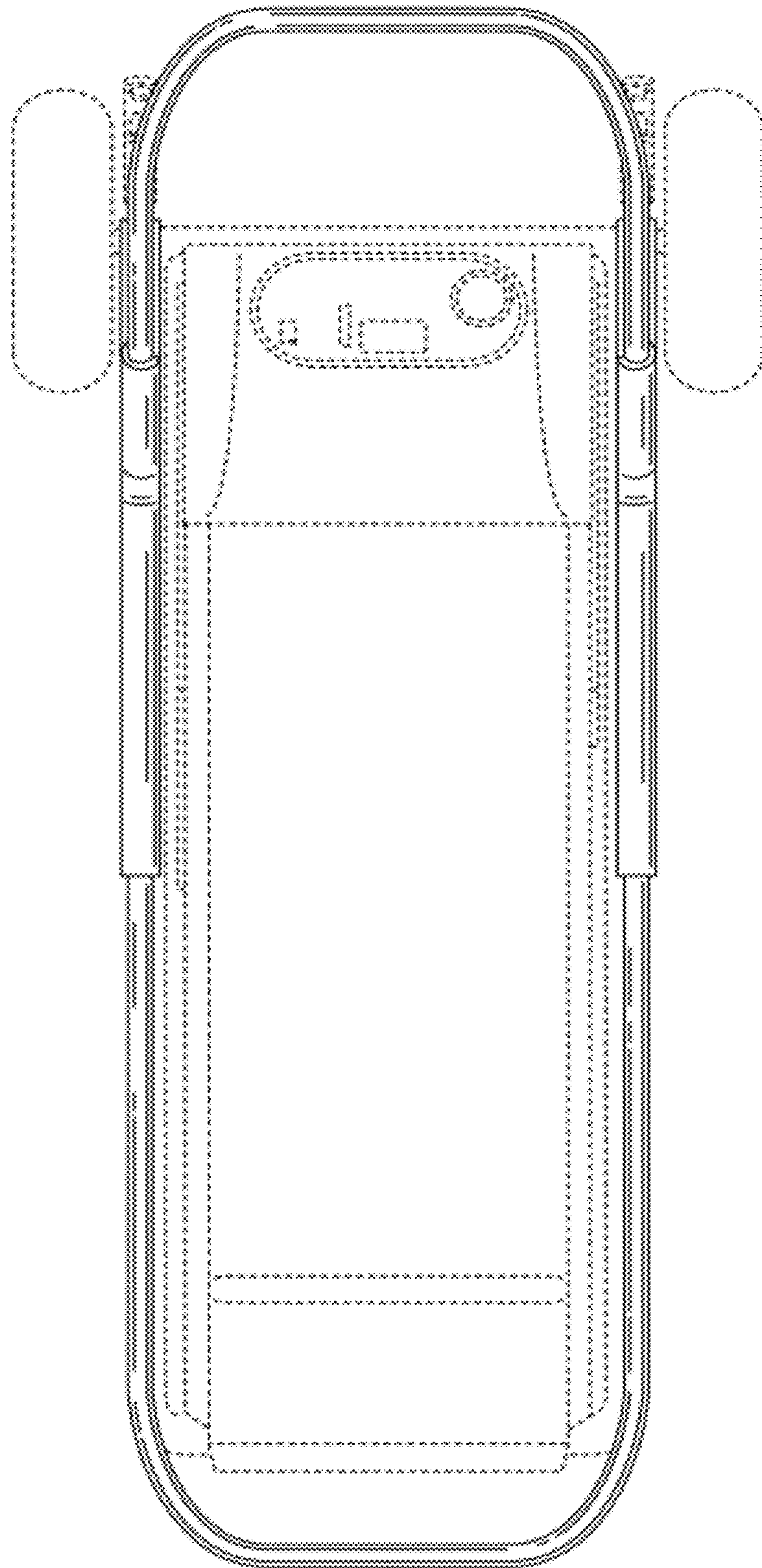


FIG. 6

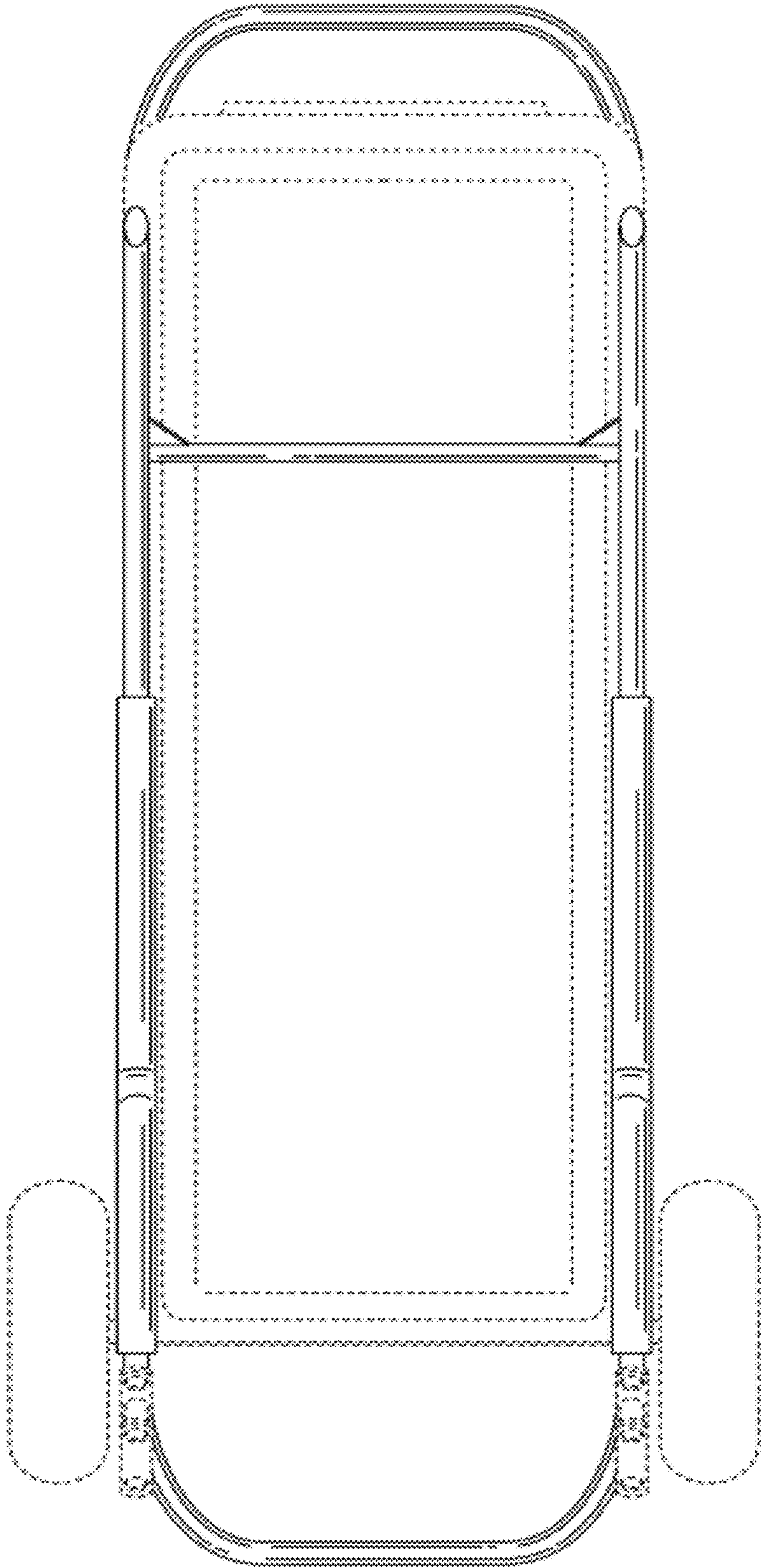


FIG. 7