

US00D672443S

(12) **United States Design Patent**
Cowen

(10) **Patent No.:** **US D672,443 S**
(45) **Date of Patent:** **** Dec. 11, 2012**

(54) **TOILET SEAT**

(76) Inventor: **Stephen Roy Cowen**, Longmont, CO
(US)

(**) Term: **14 Years**

(21) Appl. No.: **29/424,930**

(22) Filed: **Jun. 18, 2012**

D491,650 S	6/2004	Laguera Garza et al.	
7,272,863 B2	9/2007	Pratt	
D556,876 S	12/2007	O'Rourke et al.	
D594,946 S *	6/2009	Gilbert	D23/311
7,552,485 B1	6/2009	Harrison	
D622,370 S *	8/2010	Gilbert	D23/311
2005/0177932 A1	8/2005	Hilton	
2006/0064806 A1	3/2006	Kuo	
2006/0156459 A1	7/2006	Hsu	
2009/0205118 A1	8/2009	Yoo	

(Continued)

Related U.S. Application Data

(62) Division of application No. 29/399,497, filed on Aug. 15, 2011, now Pat. No. Des. 662,194.

(51) **LOC (9) Cl.** **23-02**

(52) **U.S. Cl.** **D23/311**

(58) **Field of Classification Search** D23/311,
D23/303; 4/234, 237-238

See application file for complete search history.

(56) **References Cited**

U.S. PATENT DOCUMENTS

2,446,381 A	8/1948	Middleton	
D161,108 S	12/1950	Kandarian	
D212,327 S	10/1968	Brewer	
3,594,831 A	7/1971	Brewer	
4,843,656 A	7/1989	Forman	
D307,048 S *	4/1990	Spiegel	D23/311
D336,954 S	6/1993	Paglia	
D352,103 S	11/1994	Waldren	
5,687,431 A	11/1997	Garrett	
5,729,839 A	3/1998	Bigelow	
5,765,236 A	6/1998	Bethanis	
5,940,896 A	8/1999	Berring	
5,947,501 A	9/1999	Osborn	
D421,491 S	3/2000	Hewitt	
6,385,782 B1	5/2002	Schneider	
D489,438 S *	5/2004	Hunt	D23/311

FOREIGN PATENT DOCUMENTS

EP 0 858 759 A2 8/1998

(Continued)

Primary Examiner — Robert Delehanty

(74) *Attorney, Agent, or Firm* — Margaret Polson; Oppedahl Patent Law Firm LLC

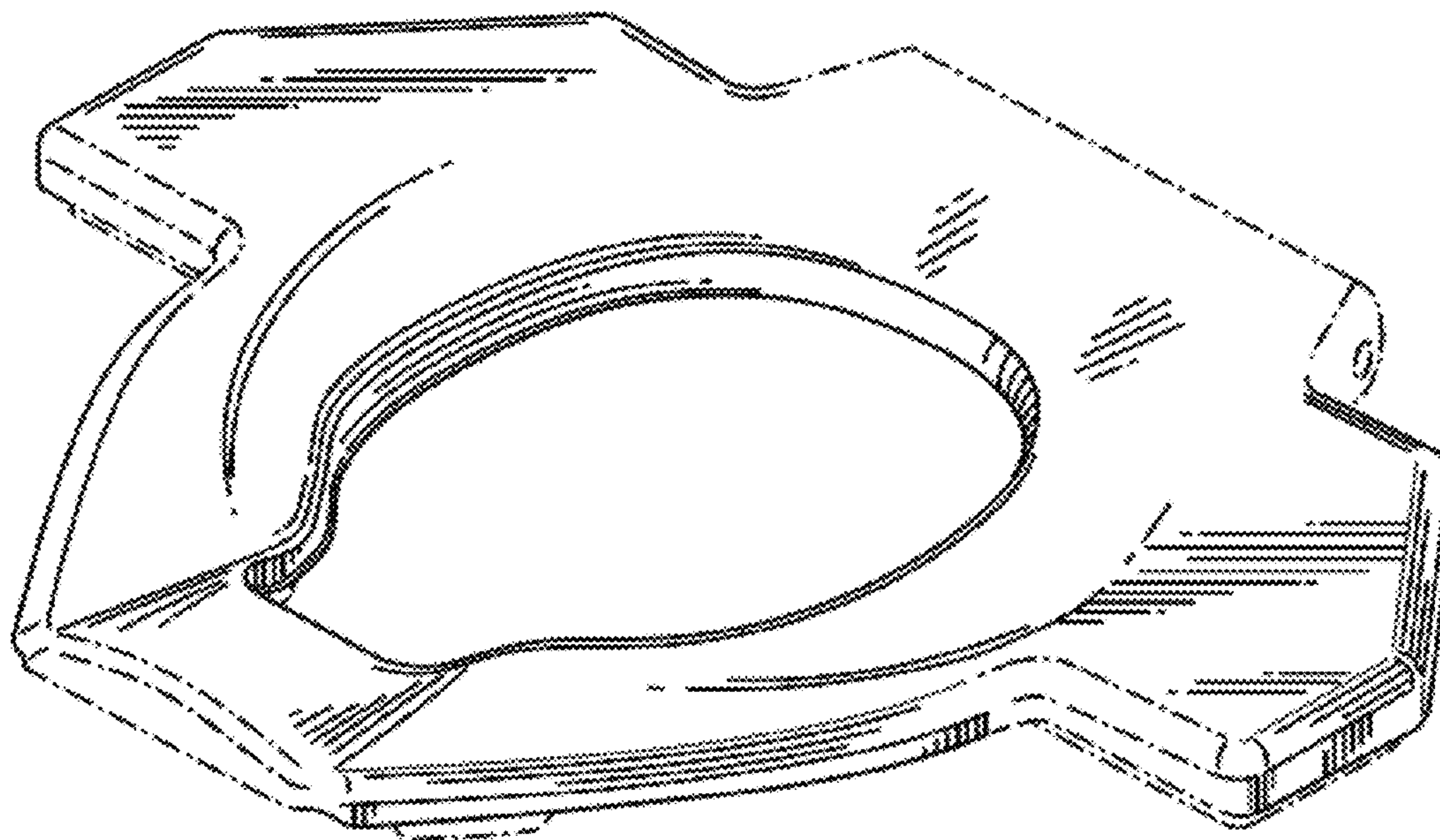
(57) **CLAIM**

I claim the ornamental design for the toilet seat, as shown and described.

DESCRIPTION

FIG. 1 is a top perspective view of my design for a toilet seat. FIG. 2 is a bottom perspective view of FIG. 1. FIG. 3 is a top plan view of FIG. 1. FIG. 4 is a bottom plan view of FIG. 1. FIG. 5 is a front elevation view of FIG. 1. FIG. 6 is a back elevation view of FIG. 1; and, FIG. 7 is a side elevation view of FIG. 1 showing the right and left sides which are mirror images. The features shown in broken lines in the drawing depict environmental subject matter only and form no part of the claimed design.

1 Claim, 3 Drawing Sheets



US D672,443 S

Page 2

U.S. PATENT DOCUMENTS

2011/0131718 A1 6/2011 Smith

FOREIGN PATENT DOCUMENTS

JP 07-213457 8/1995

JP	09-262190	10/1997
JP	10-229956	9/1998
WO	2012/009488 A1	1/2012

* cited by examiner

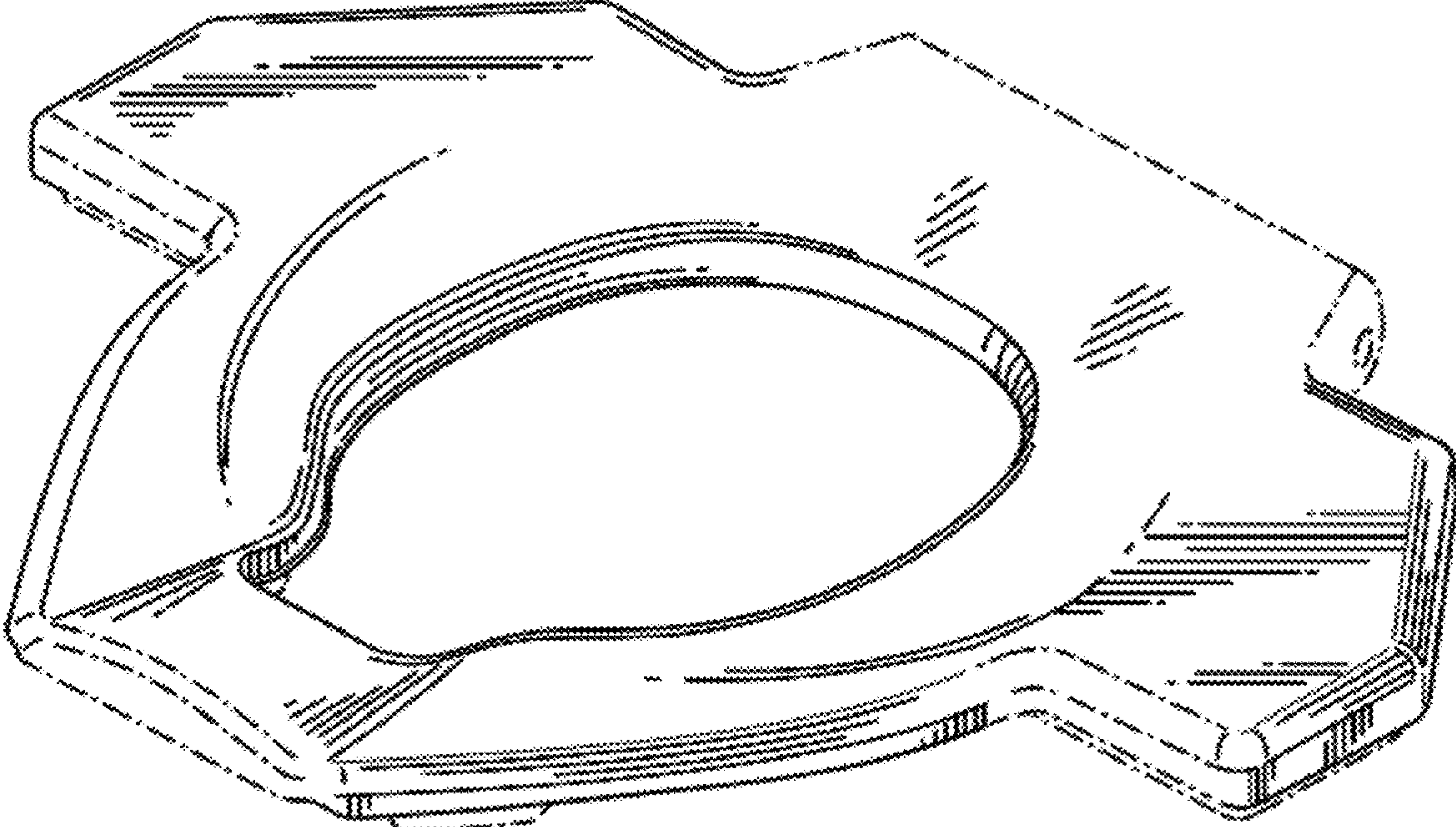


FIG.1

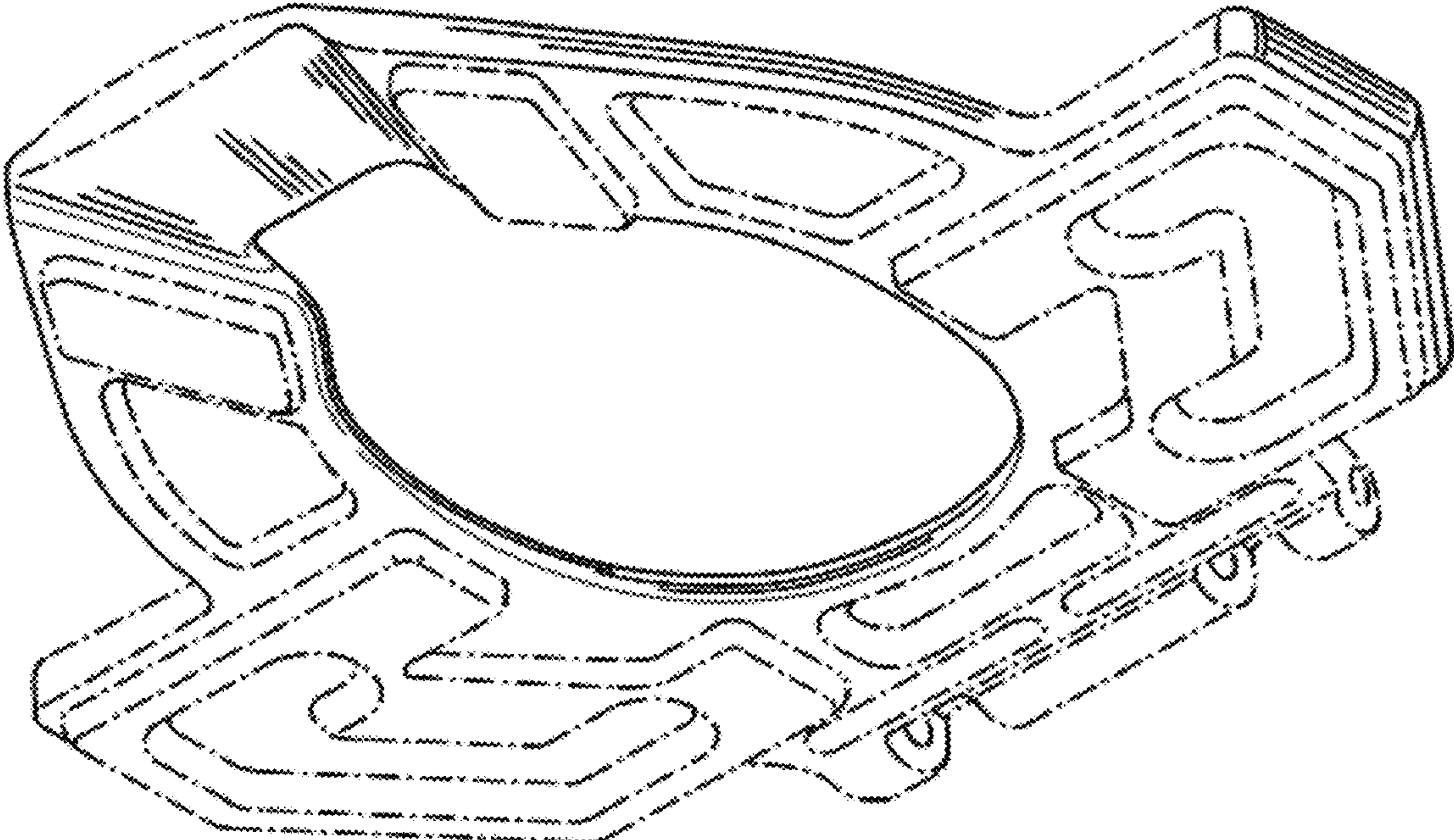


FIG.2

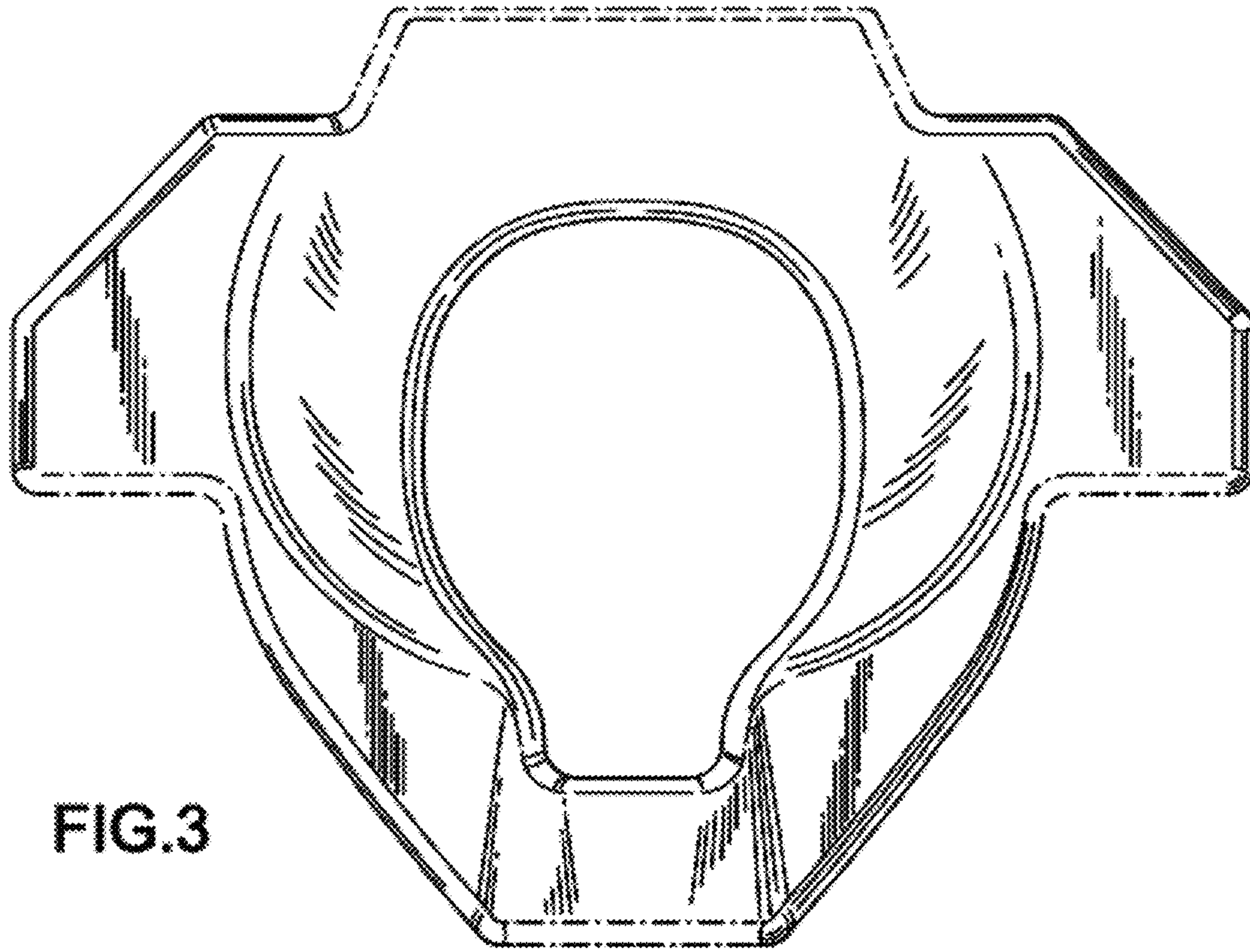


FIG.3

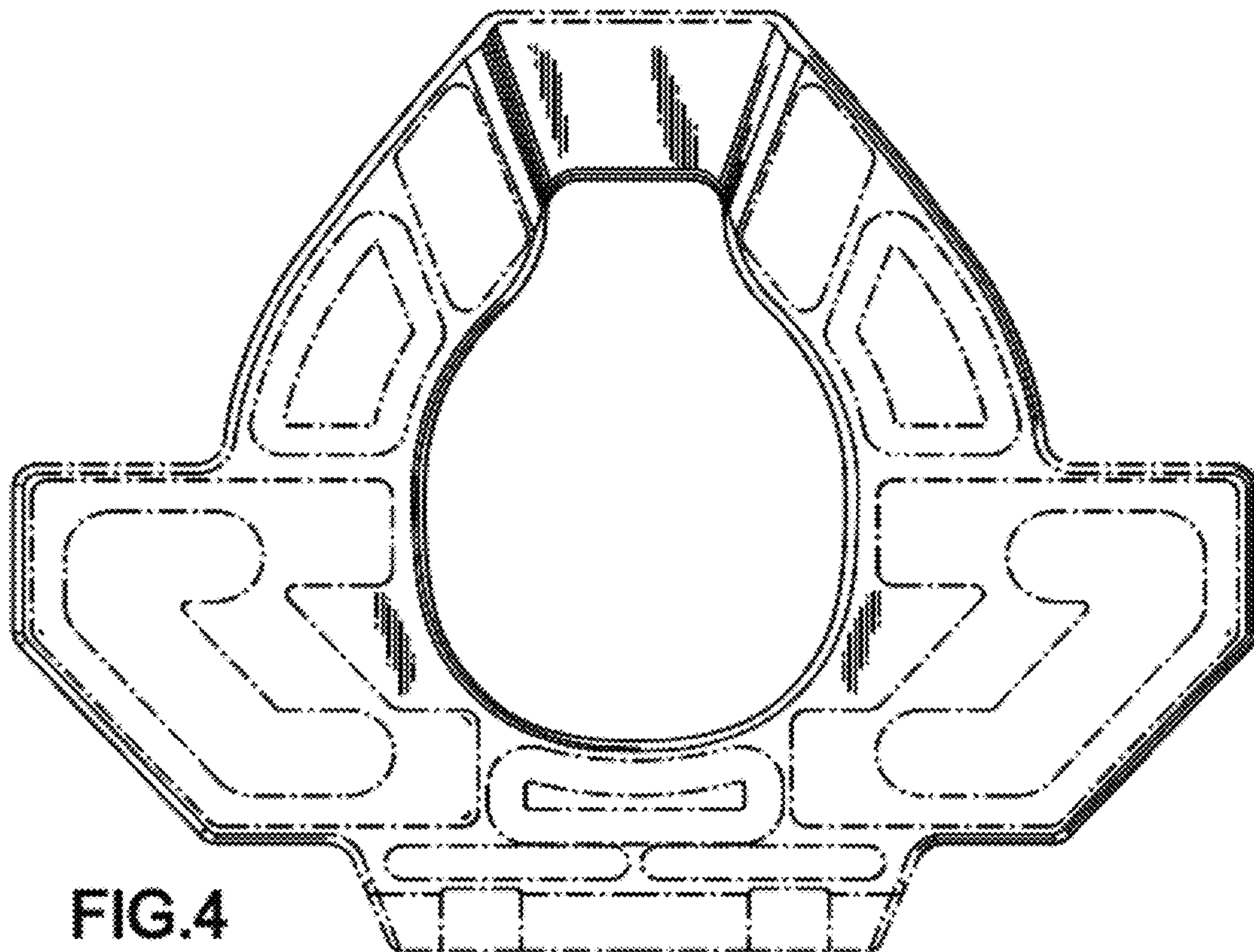


FIG.4

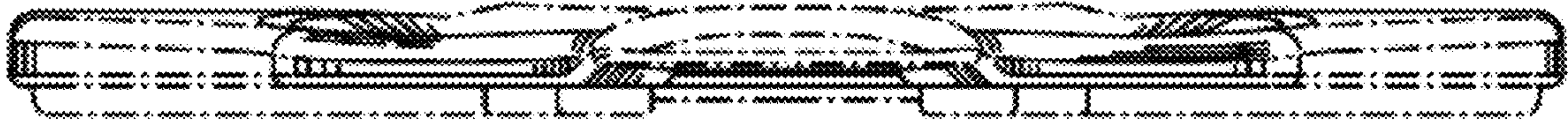


FIG. 5

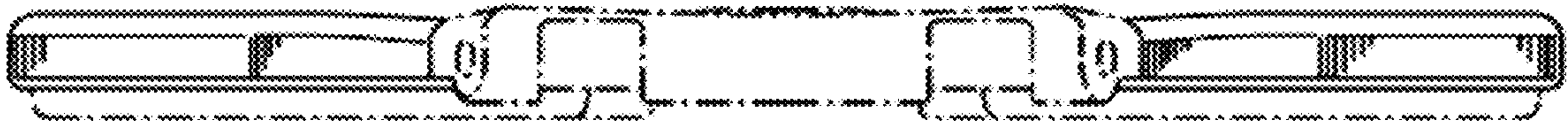


FIG. 6



FIG. 7