



US00D672441S

(12) **United States Design Patent**
Kennedy

(10) **Patent No.:** **US D672,441 S**

(45) **Date of Patent:** **** Dec. 11, 2012**

(54) **TOILET**

(75) Inventor: **Kevin Kennedy**, Parsippany, NJ (US)

(73) Assignee: **Niagara Conservation Corp.**, Fort Worth, TX (US)

(**) Term: **14 Years**

(21) Appl. No.: **29/405,683**

(22) Filed: **Nov. 4, 2011**

(51) **LOC (9) Cl.** **23-02**

(52) **U.S. Cl.** **D23/301**

(58) **Field of Classification Search** D23/295,
D23/301, 303, 309, 311; 4/443, 329
See application file for complete search history.

(56) **References Cited**

U.S. PATENT DOCUMENTS

D454,943 S *	3/2002	Chen	D23/301
D455,478 S *	4/2002	Chen	D23/301
D654,993 S *	2/2012	Ando et al.	D23/301

* cited by examiner

Primary Examiner — Robert Delehanty

(74) *Attorney, Agent, or Firm* — Lerner, David, Littenberg, Krumholz & Mentlik, LLP

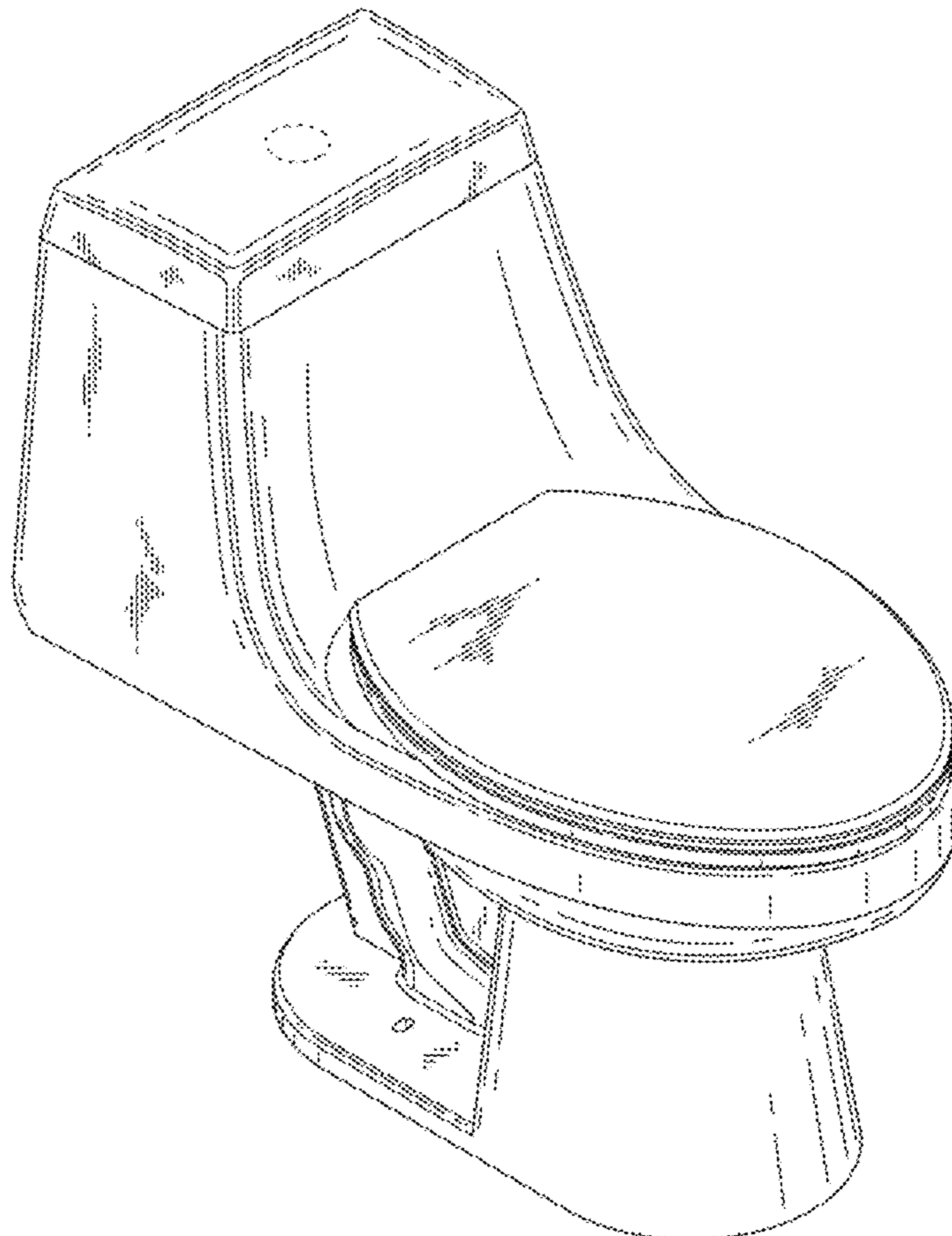
(57) **CLAIM**

I claim the ornamental design for a toilet, as shown and described.

DESCRIPTION

FIG. 1 is a left side perspective view of a toilet in accordance with the present invention;
 FIG. 2 is a front elevational view of the toilet in accordance with the present invention;
 FIG. 3 is a rear elevational view of the toilet in accordance with the present invention;
 FIG. 4 is a left side elevational view of the toilet in accordance with the present invention, the right side elevational view being the mirror image thereof; and
 FIG. 5 is a top elevational view of the toilet in accordance with the present invention; and,
 FIG. 6 is a bottom elevational view of the toilet in accordance with the present invention.
 The broken lines shown in the drawing are included for the purpose of illustrating a portion of the toilet that forms no part of the claimed design.

1 Claim, 6 Drawing Sheets



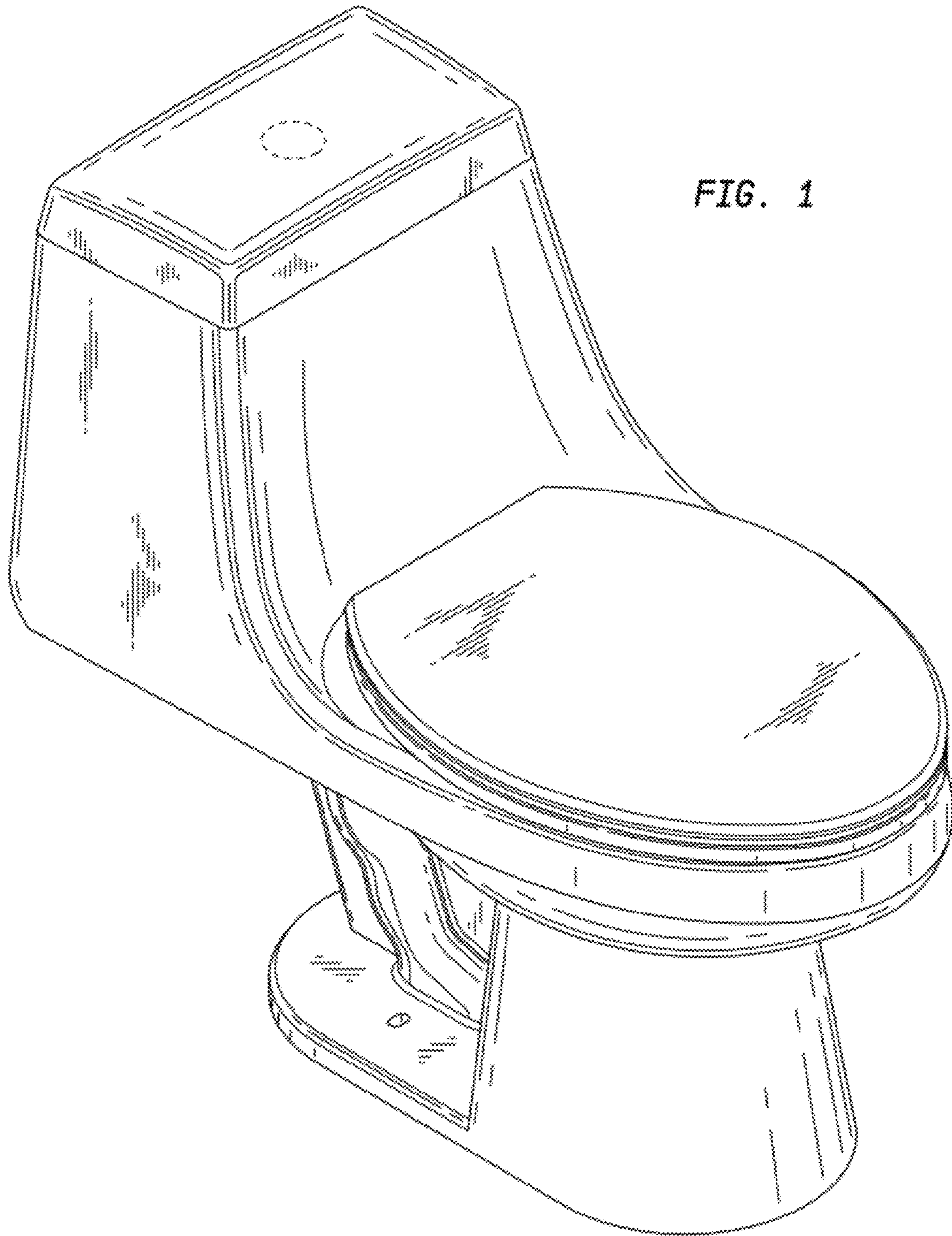


FIG. 1

FIG. 2

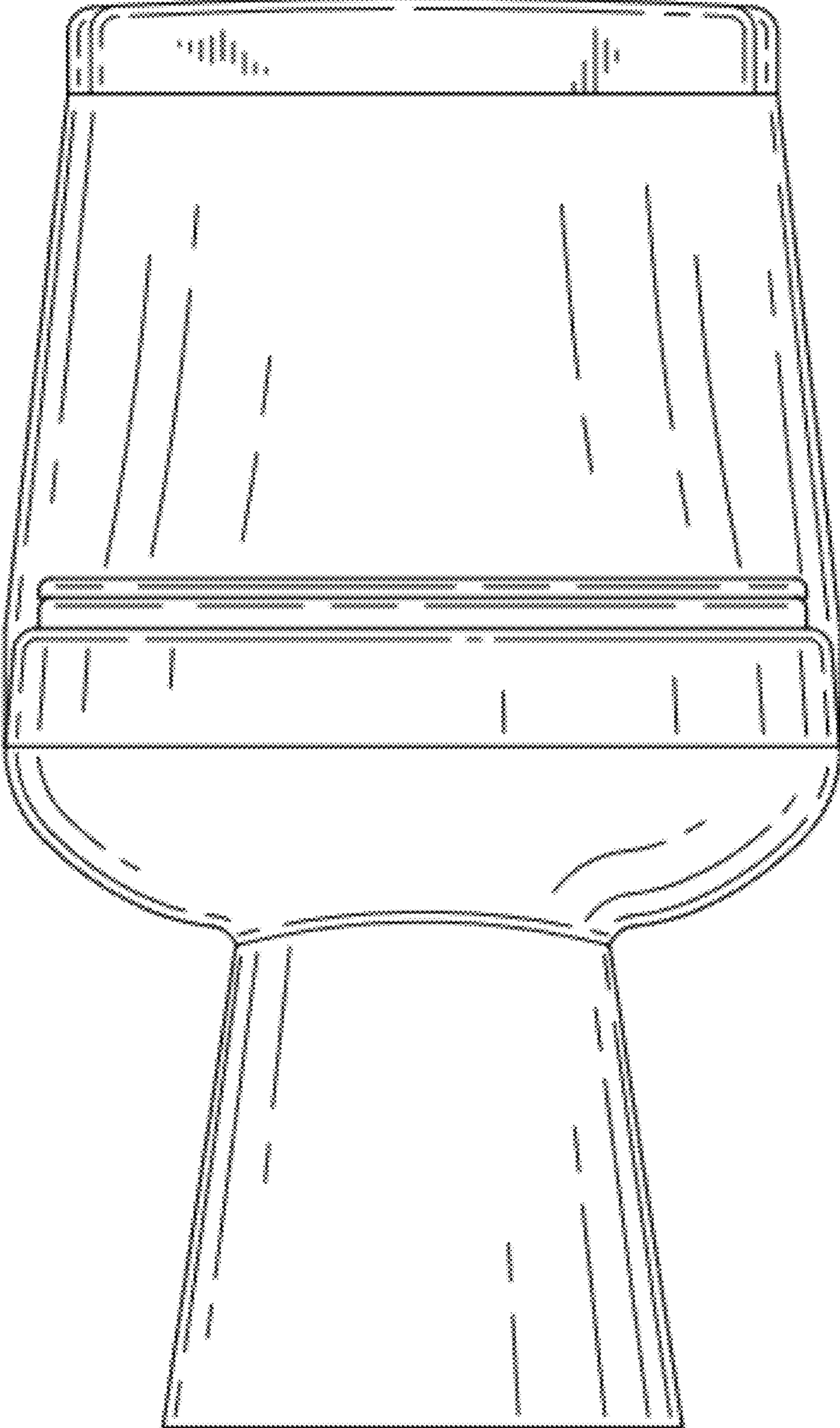


FIG. 3

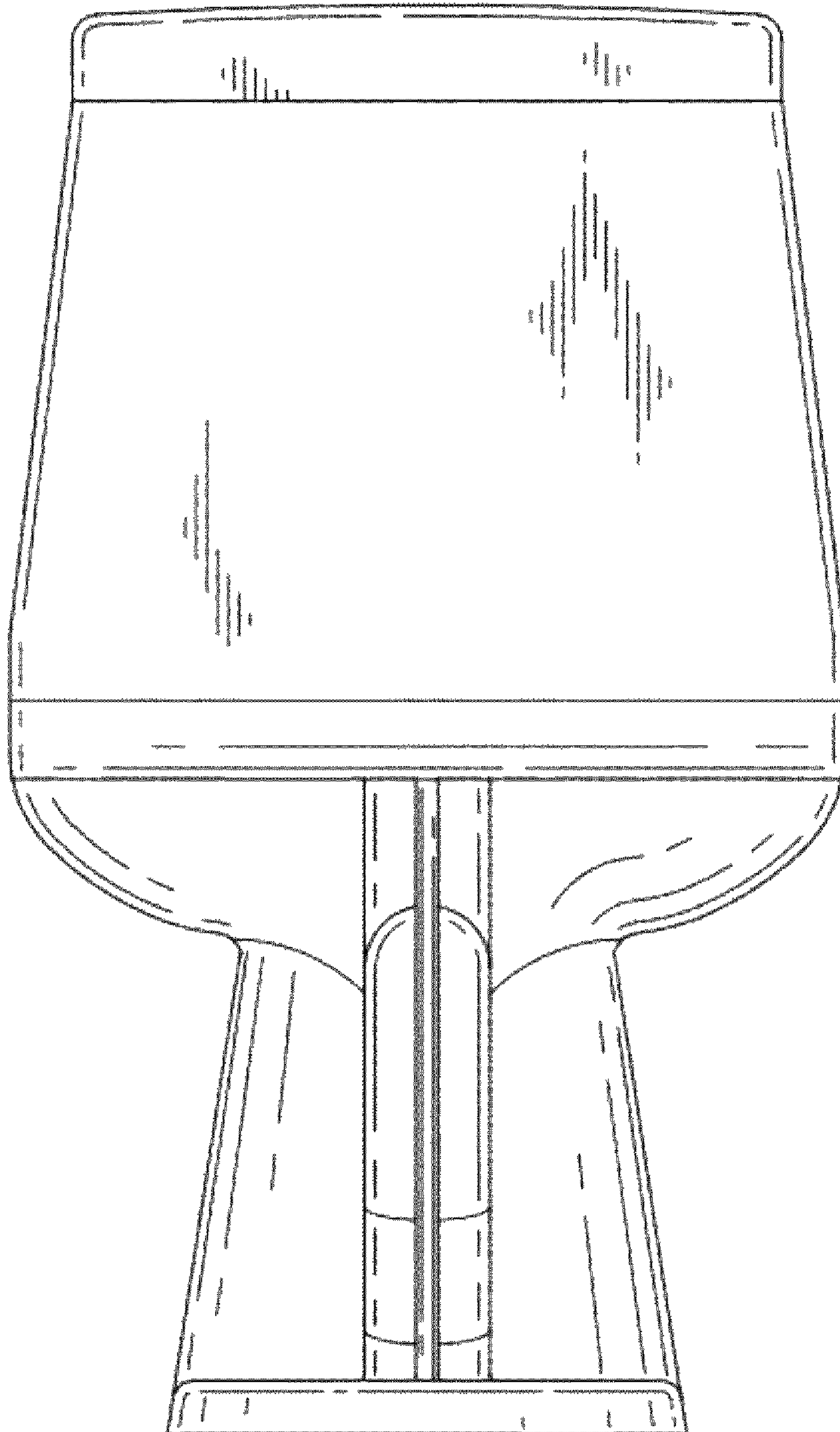


FIG. 4

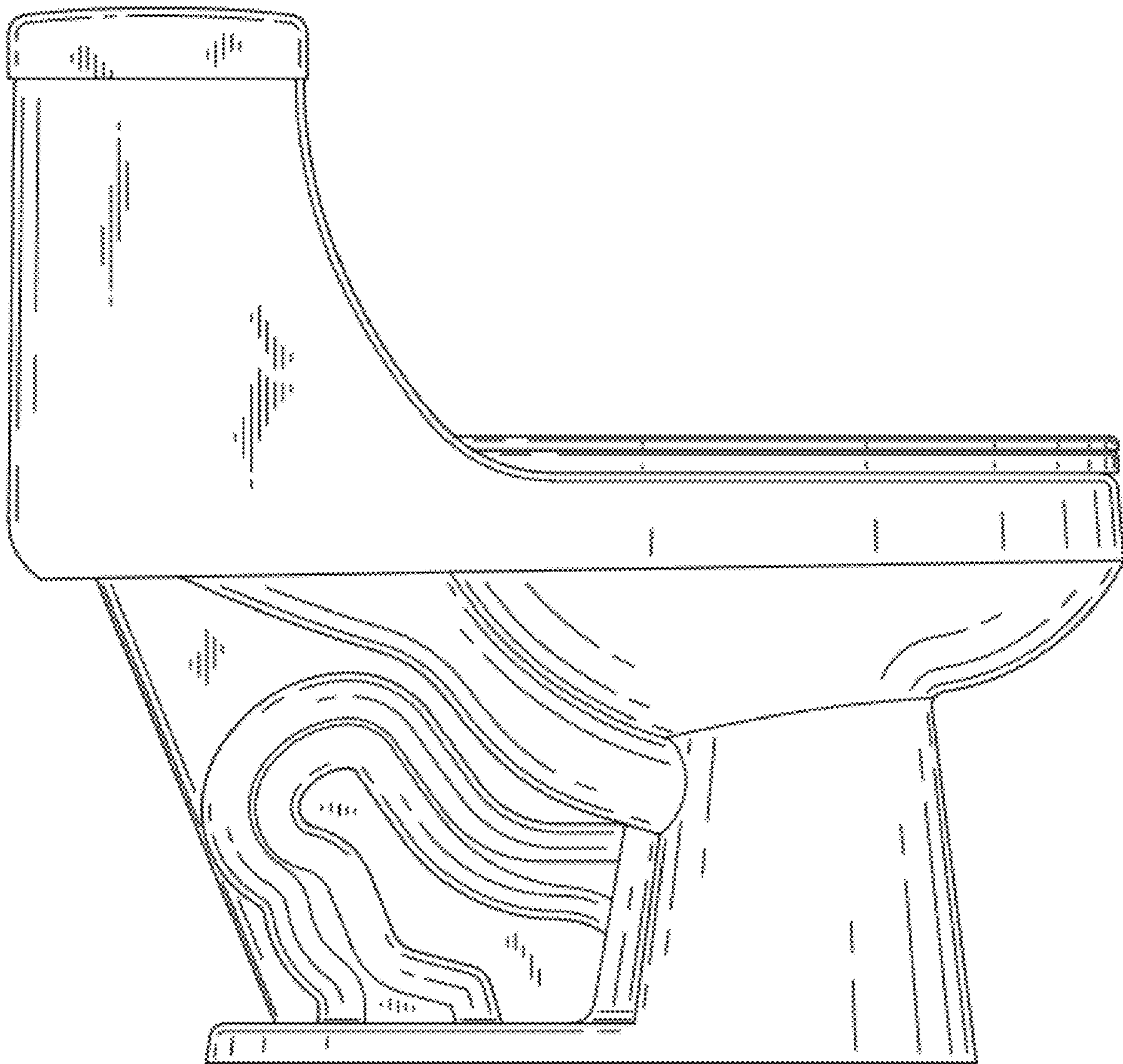


FIG. 5

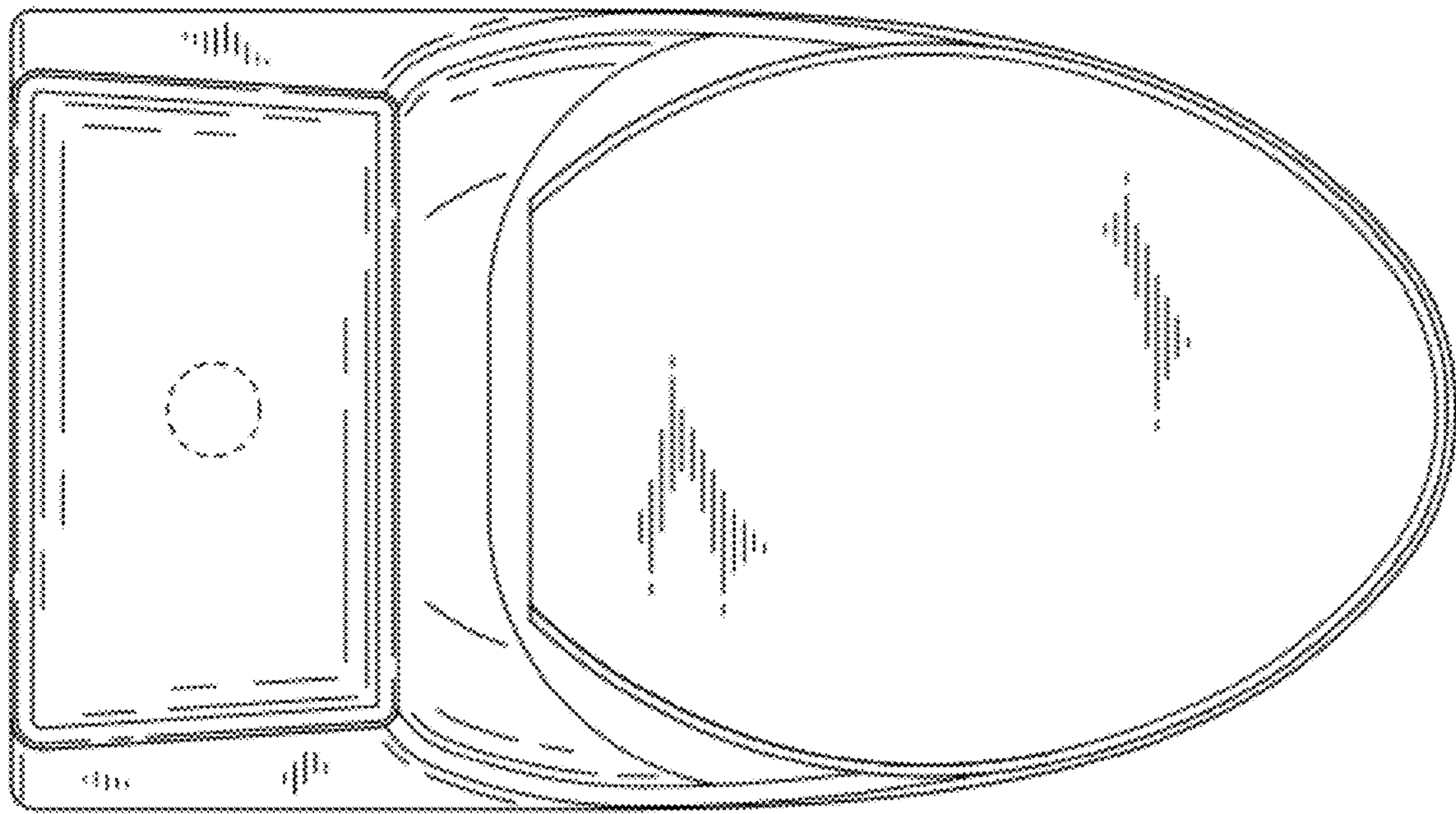


FIG. 6

