



US00D672438S

(12) **United States Design Patent**
Noel

(10) **Patent No.:** **US D672,438 S**

(45) **Date of Patent:** **** Dec. 11, 2012**

(54) **SINK STRAINER**

(76) **Inventor:** **Huguens Noel**, Upper Montclair, NJ
(US)

(**) **Term:** **14 Years**

(21) **Appl. No.:** **29/417,729**

(22) **Filed:** **Apr. 7, 2012**

(51) **LOC (9) Cl.** **23-01**

(52) **U.S. Cl.** **D23/261**

(58) **Field of Classification Search** D23/260,
D23/261, 268; 4/286, 289, 290, 292, 679;
210/164

See application file for complete search history.

(56) **References Cited**

U.S. PATENT DOCUMENTS

596,763	A	1/1898	Stretch	
D28,964	S	6/1898	Wieber	
D738,726		9/1903	Lytle	
D826,505		7/1906	Henzel	
1,494,882	A	5/1924	Barger	
1,594,361	A *	8/1926	Frankenstein	4/289
1,903,366	A	4/1933	Mercier et al.	
2,317,707	A	4/1940	Yavitch	
2,247,040	A *	6/1941	Whitsett	210/238
2,285,833	A *	6/1942	Platt	210/238
D187,205	S	2/1960	Laughlin	
D222,354	S	10/1971	Foltz	
4,134,162	A	1/1979	Sharland et al.	
D255,480	S *	6/1980	Zieg	D23/209
4,287,067	A *	9/1981	Dyner	210/487
4,471,497	A	9/1984	Riutort et al.	

5,397,464	A *	3/1995	Hannon	210/163
5,897,787	A *	4/1999	Keller	210/767
D462,422	S *	9/2002	Conner	D23/261
D517,664	S *	3/2006	Hill	D23/261
D550,805	S *	9/2007	Hazlehurst	D23/209
D557,374	S *	12/2007	Pecca	D23/209
7,442,296	B2 *	10/2008	Chong et al.	210/163
7,467,425	B2	12/2008	Harmes	
D598,196	S *	8/2009	Vreeland	D3/304
D599,444	S *	9/2009	Jones	D23/261
D600,324	S *	9/2009	Vreeland	D23/261
D604,800	S *	11/2009	Vreeland	D23/209
7,736,499	B2 *	6/2010	Chong et al.	210/163
D621,009	S	8/2010	Mjelde et al.	
2001/0030150	A1 *	10/2001	Remon	210/163

* cited by examiner

Primary Examiner — Eric Goodman

(74) *Attorney, Agent, or Firm* — QuickPatents, Inc.; Kevin Prince

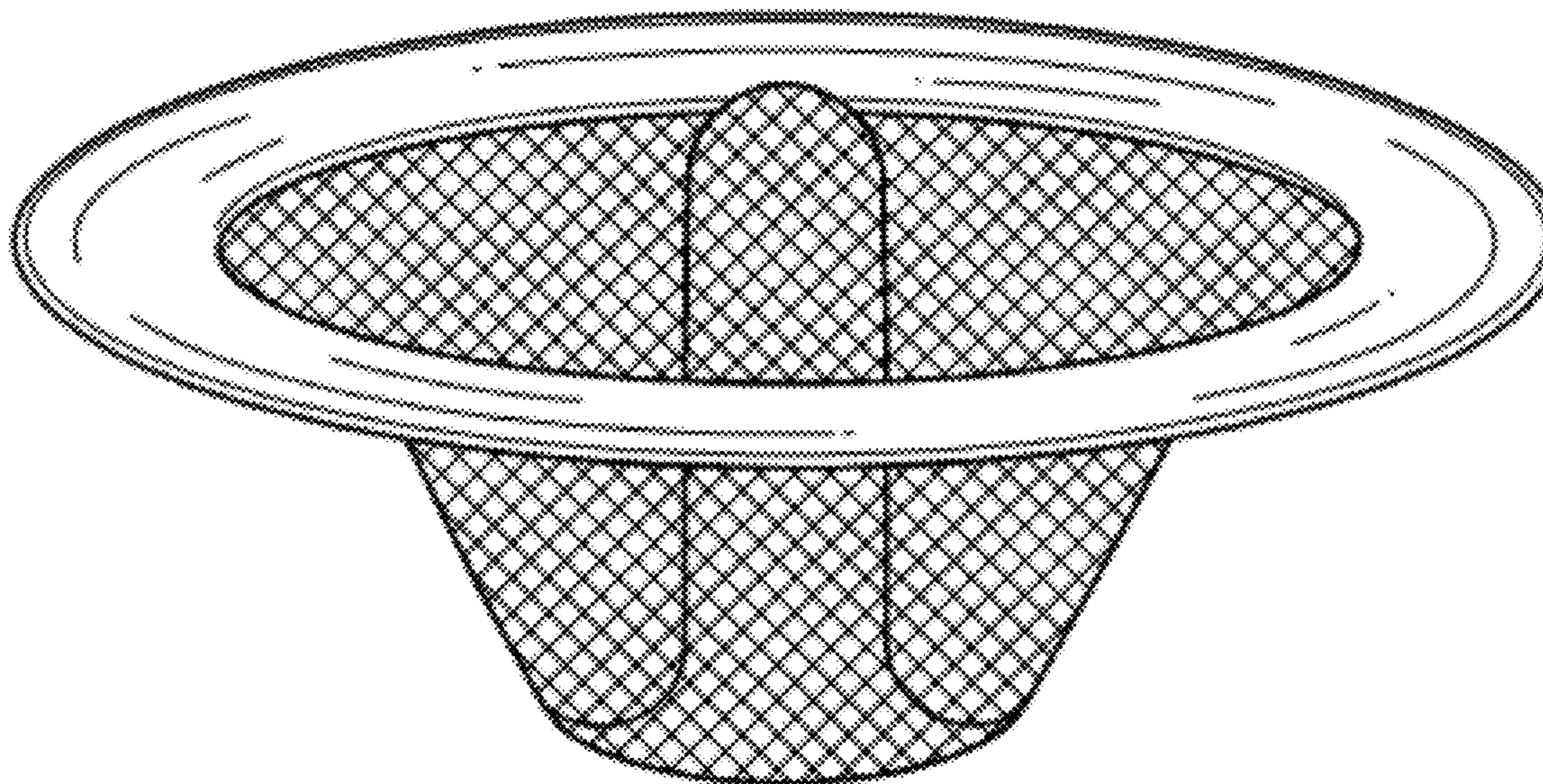
(57) **CLAIM**

I claim the ornamental design for a sink strainer, as shown and described.

DESCRIPTION

FIG. 1 is a perspective view of a sink strainer, showing my new design;
FIG. 2 is a top plan view thereof;
FIG. 3 is a bottom plan view thereof; and,
FIG. 4 is a left-side elevational view thereof, the right-side elevational view, front elevational view, and rear elevational view all being a mirror image thereof.

1 Claim, 3 Drawing Sheets



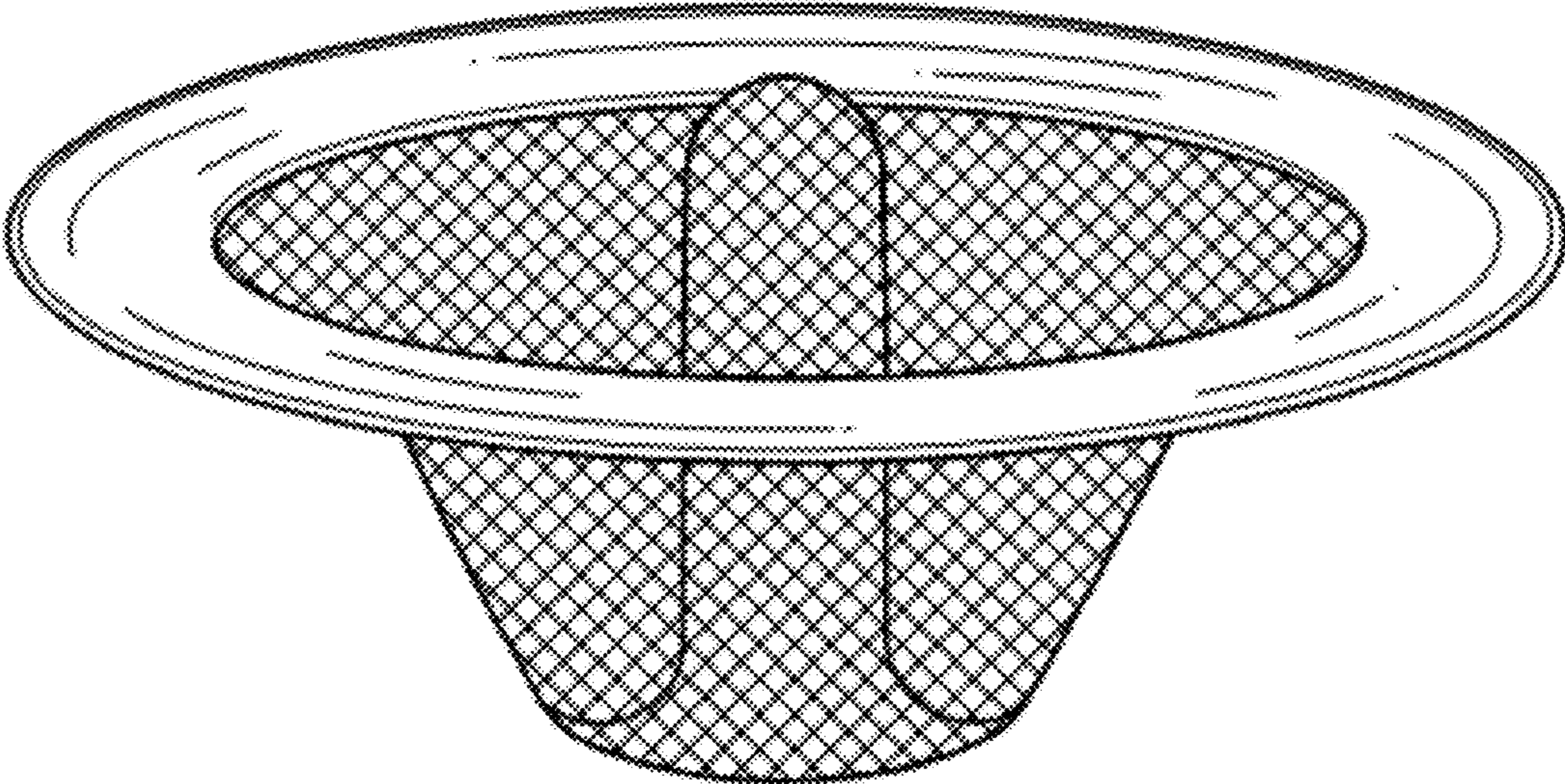


FIG. 1

FIG. 2

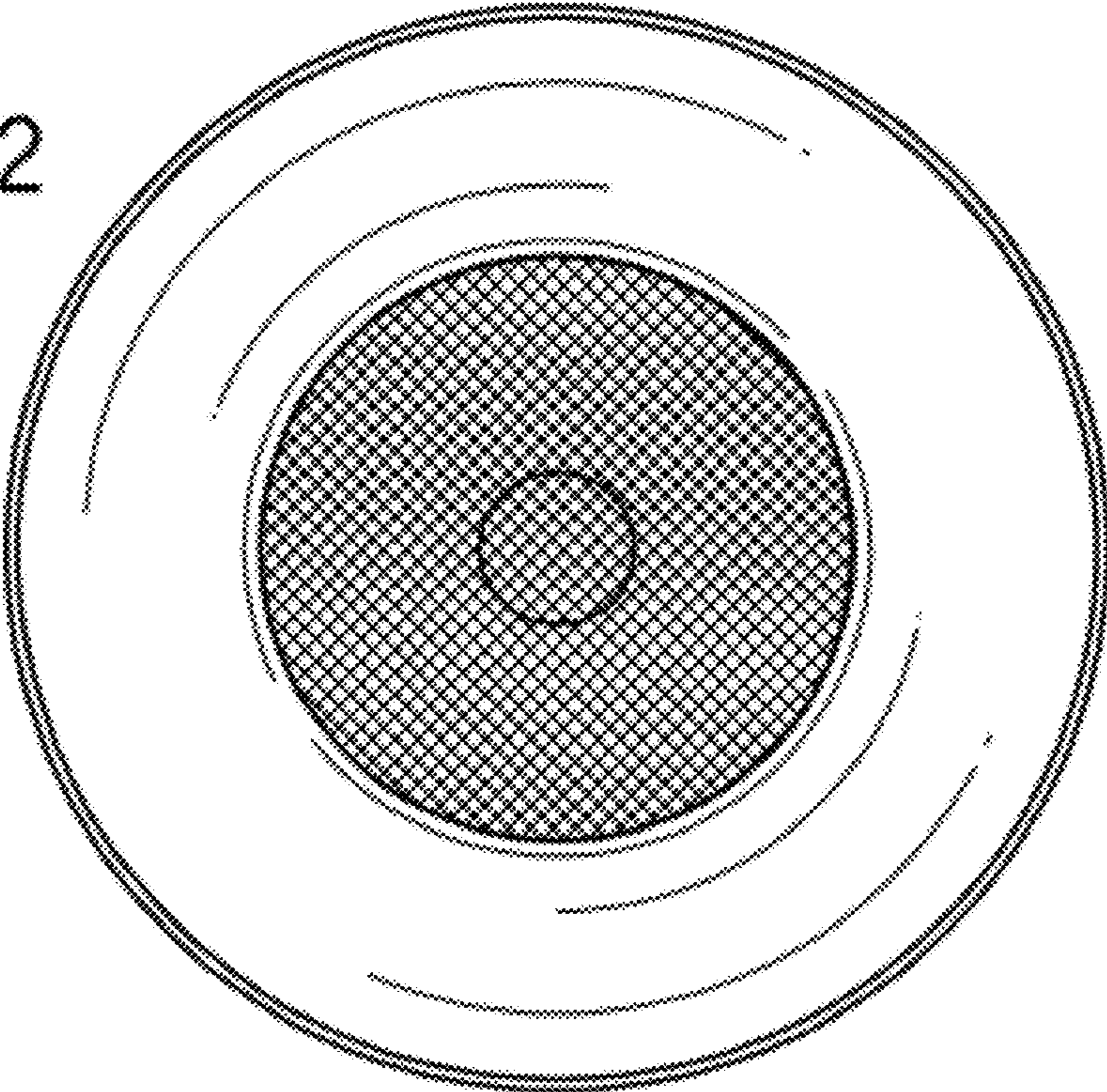
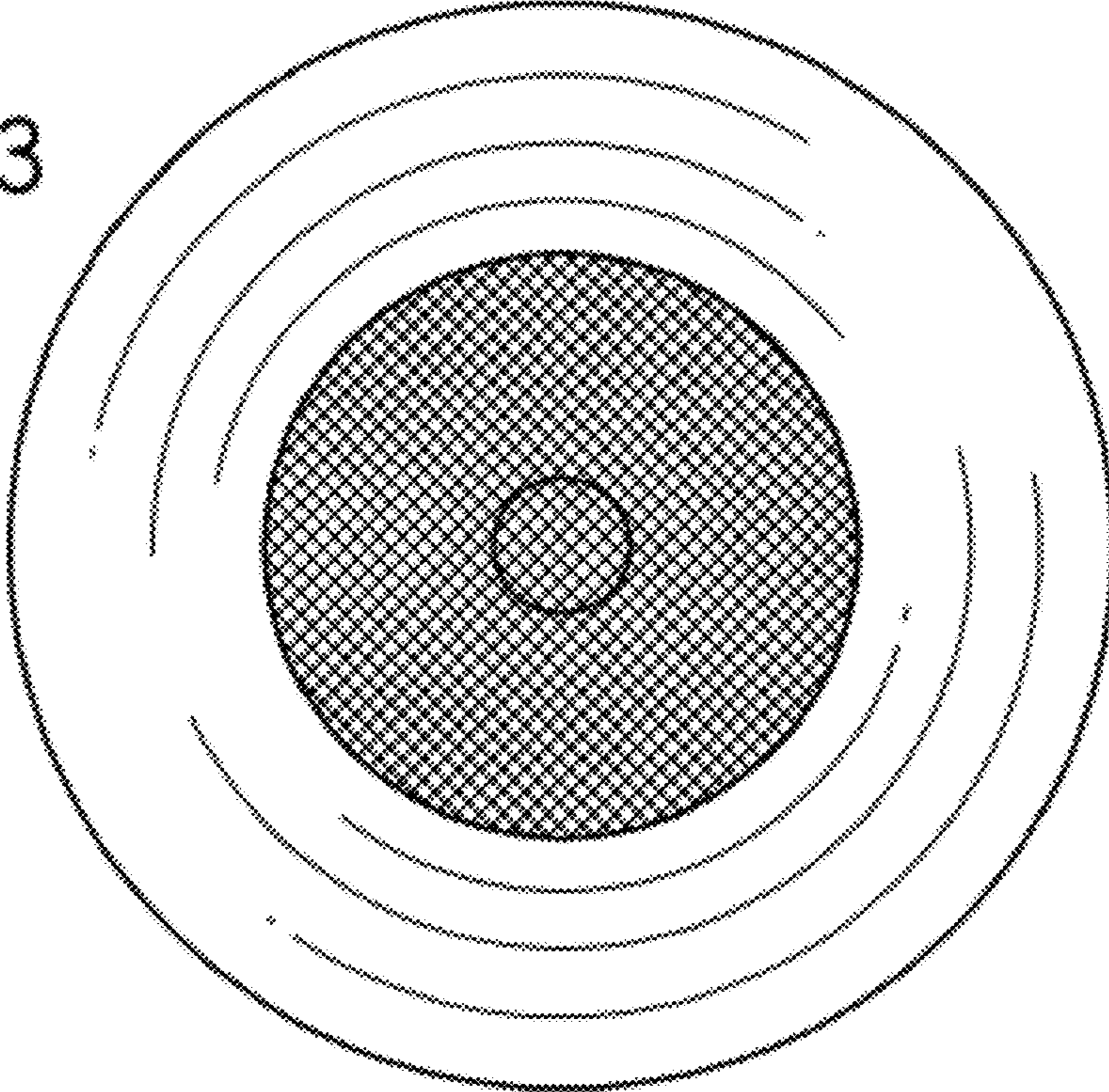


FIG. 3



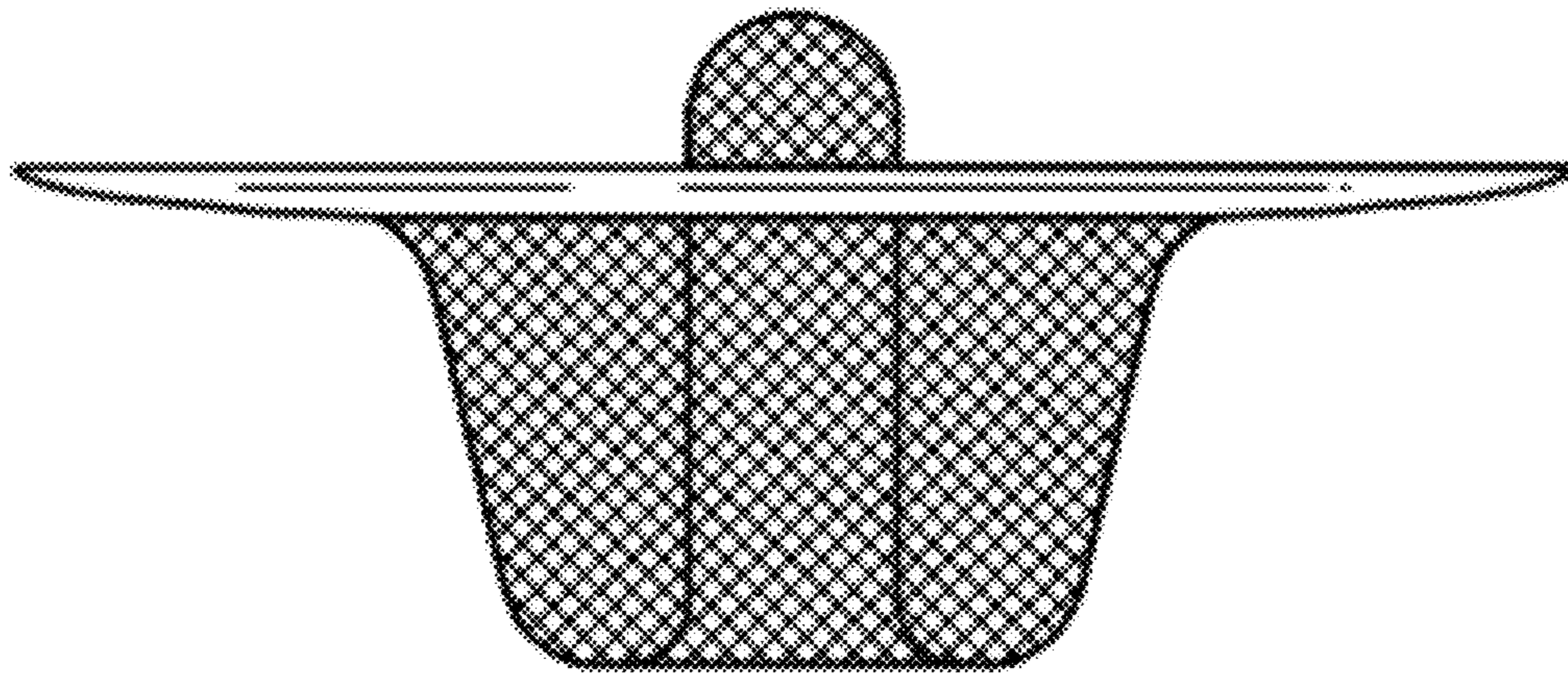


FIG. 4