



US00D672435S

(12) **United States Design Patent**  
**Romero et al.**

(10) **Patent No.:** **US D672,435 S**

(45) **Date of Patent:** **\*\* Dec. 11, 2012**

(54) **SHOWERHEAD**

(75) Inventors: **Emilie Williams Romero**, Chicago, IL  
(US); **Michael Miller**, Fishers, IN (US)

(73) Assignee: **Masco Corporation of Indiana**,  
Indianapolis, IN (US)

(\*\*) Term: **14 Years**

(21) Appl. No.: **29/427,343**

(22) Filed: **Jul. 17, 2012**

**Related U.S. Application Data**

(62) Division of application No. 29/403,988, filed on Oct.  
13, 2011, now Pat. No. Des. 667,531.

(51) **LOC (9) Cl.** ..... **23-01**

(52) **U.S. Cl.** ..... **D23/229**

(58) **Field of Classification Search** ..... D23/213,  
D23/223, 229, 230; 239/282, 283; 4/615

See application file for complete search history.

(56) **References Cited**

U.S. PATENT DOCUMENTS

D619,218 S \* 7/2010 Lee ..... D23/229  
D626,625 S \* 11/2010 Lee ..... D23/229  
D626,626 S \* 11/2010 Lee ..... D23/229

\* cited by examiner

*Primary Examiner* — Robin V Webster

(74) *Attorney, Agent, or Firm* — Edgar A. Zarins; Nirav D.  
Parikh; Lora J. Graentzdoerffer

(57) **CLAIM**

The ornamental design for a showerhead, as shown and  
described.

**DESCRIPTION**

FIG. 1 is a perspective view of a showerhead showing our new  
design;

FIG. 2 is a front view thereof;

FIG. 3 is a rear view thereof;

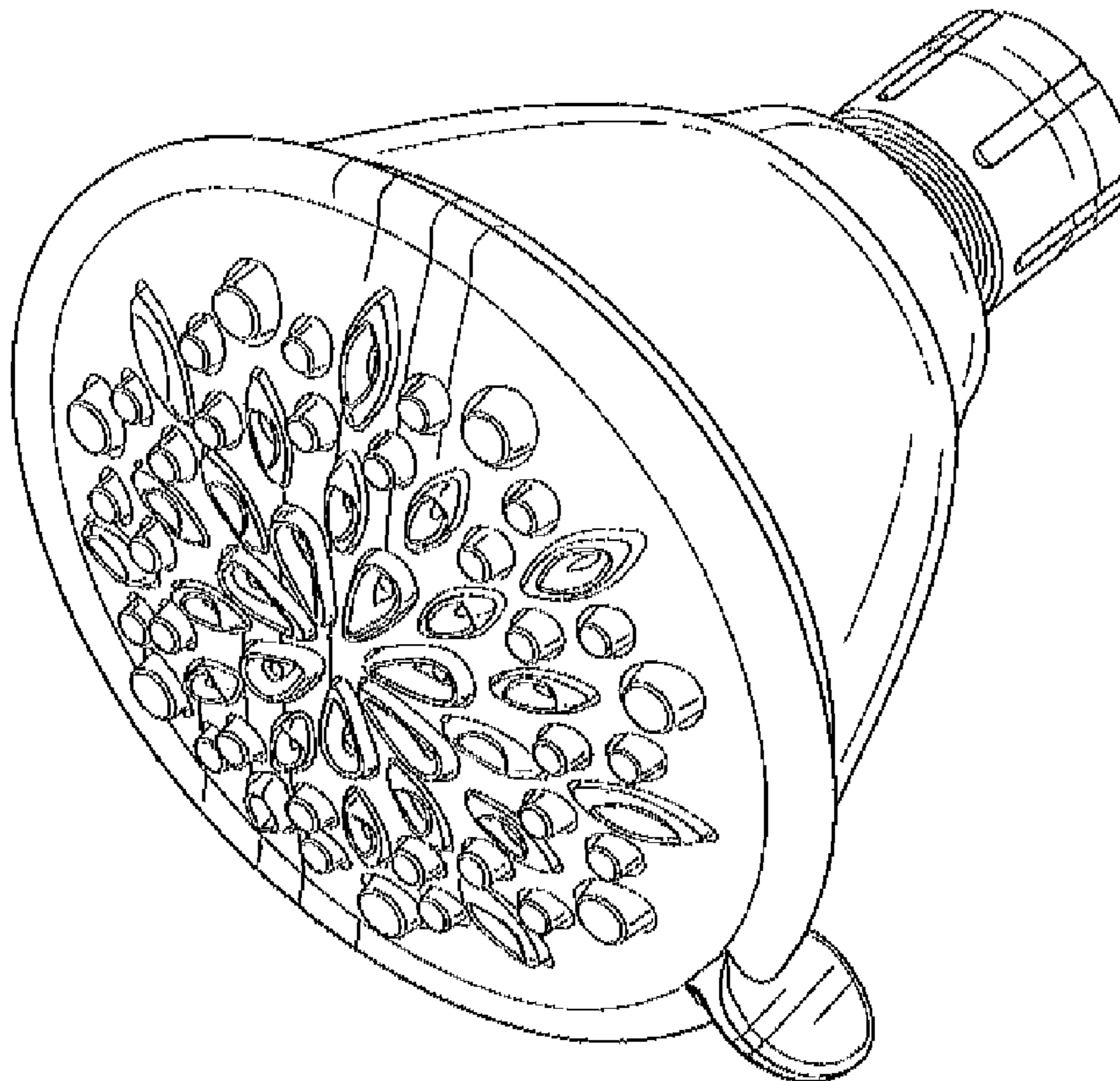
FIG. 4 is a first side view thereof;

FIG. 5 is a second side view thereof;

FIG. 6 is a third side view thereof; and,

FIG. 7 is a fourth side view thereof.

**1 Claim, 2 Drawing Sheets**



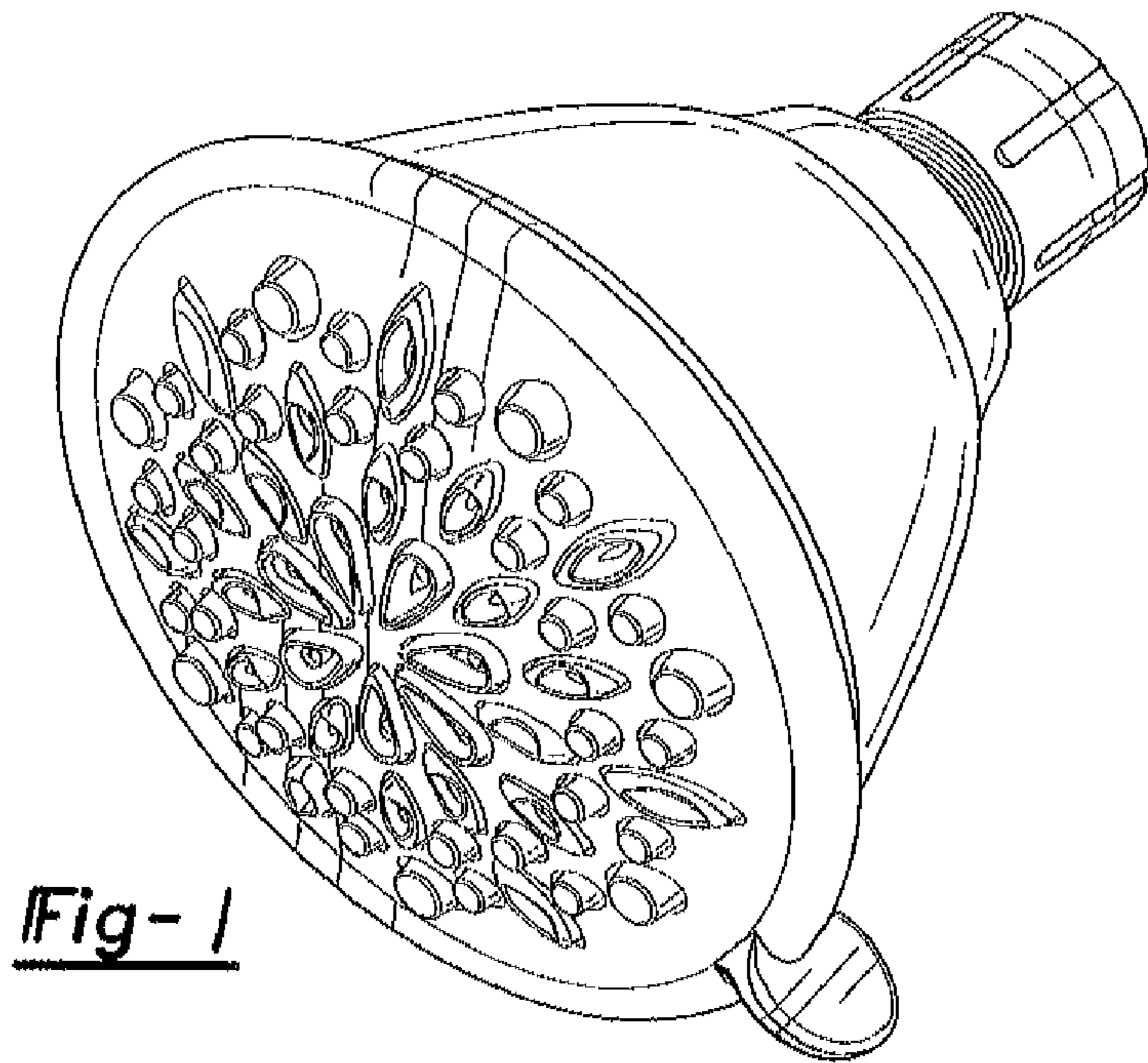


Fig-1

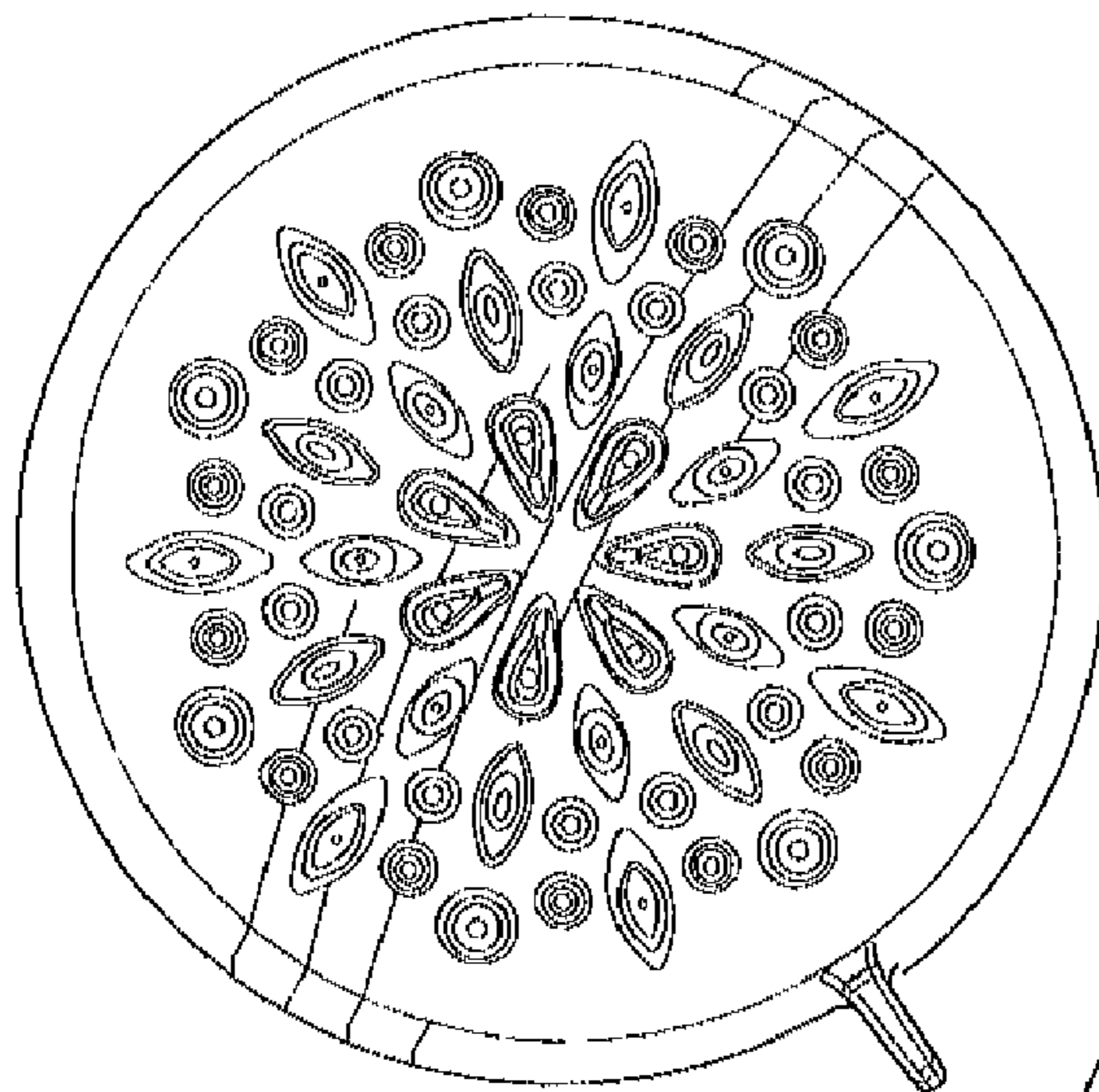


Fig-2

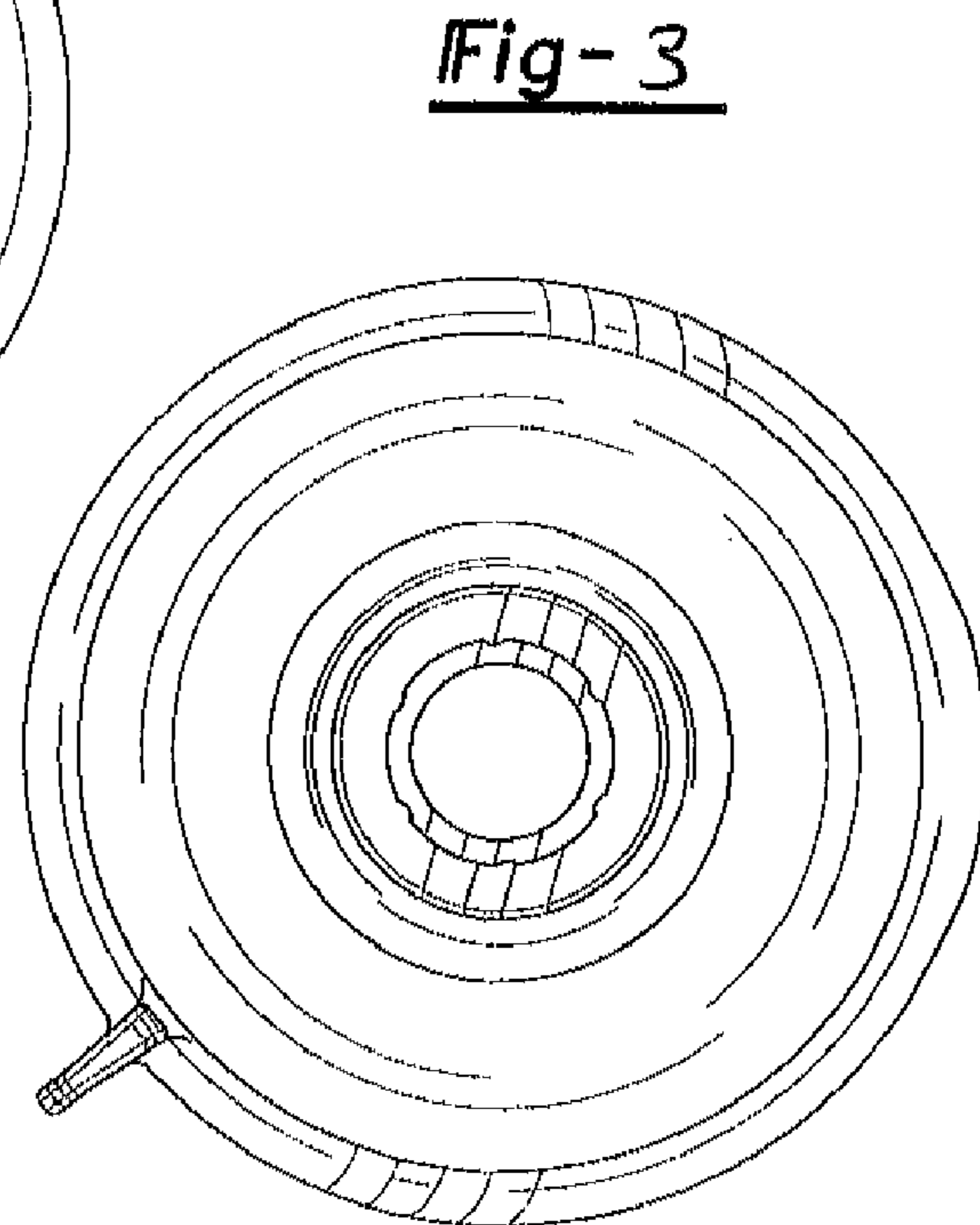


Fig-3

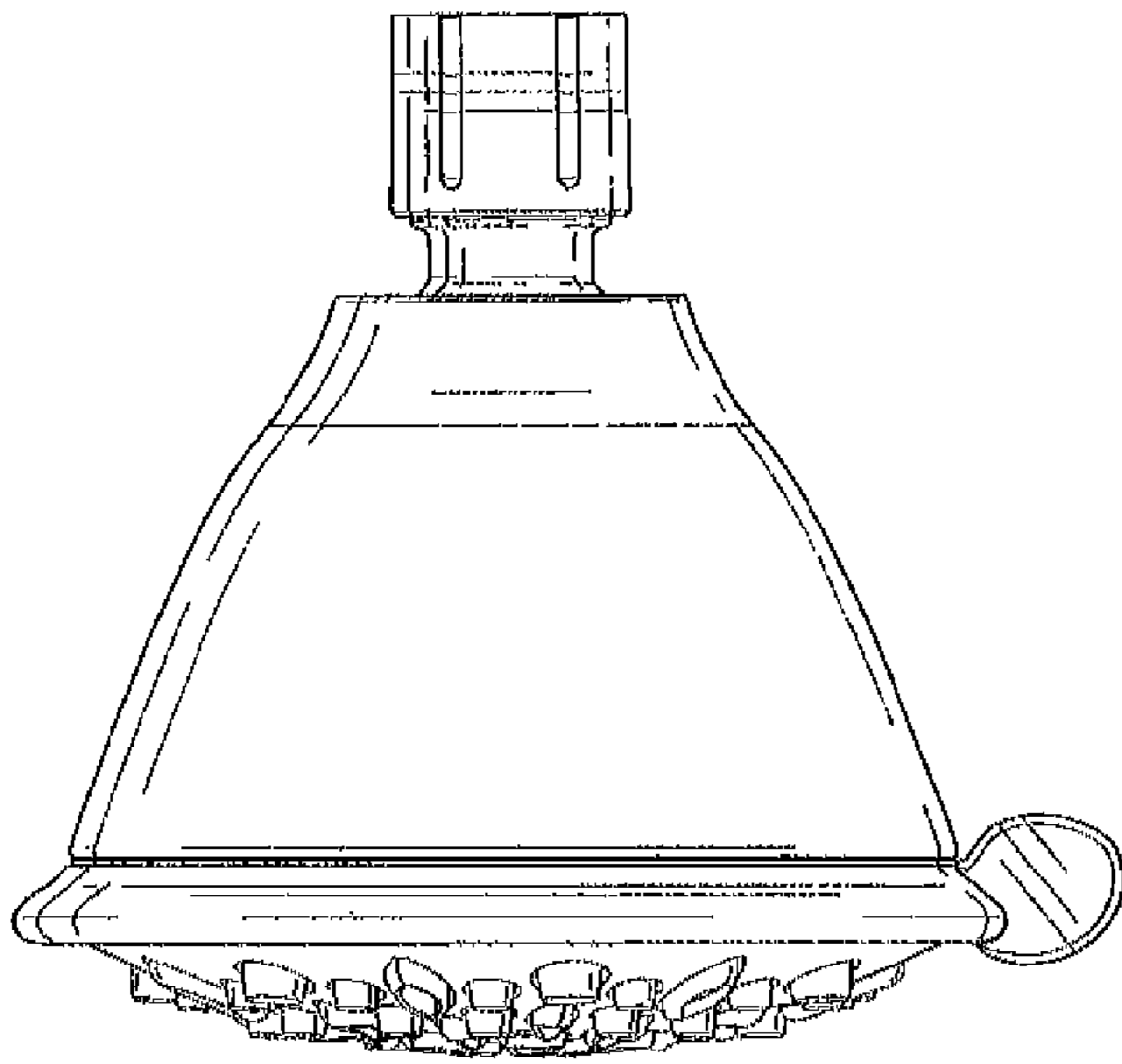


Fig-4

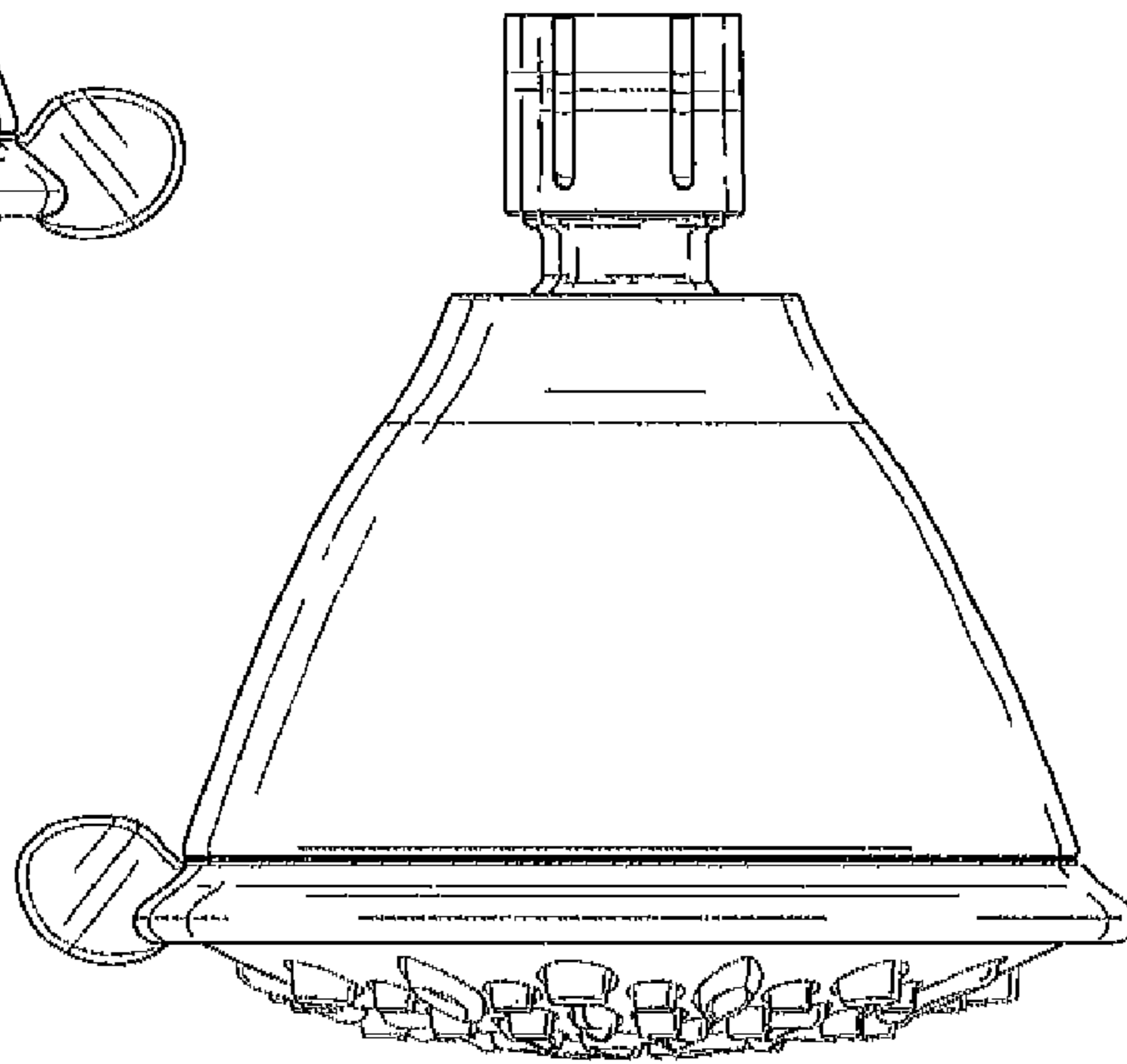


Fig-5

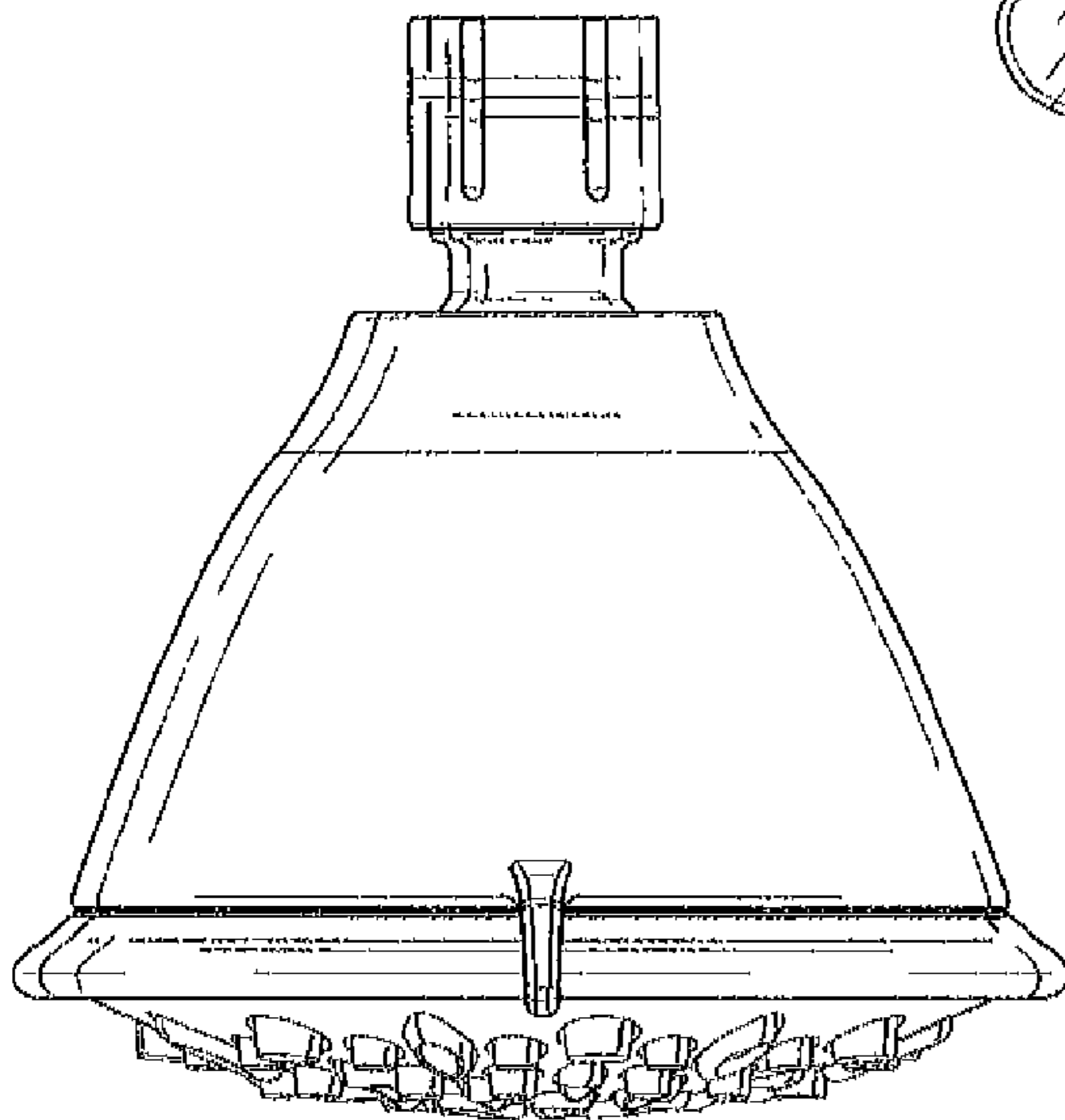


Fig-6

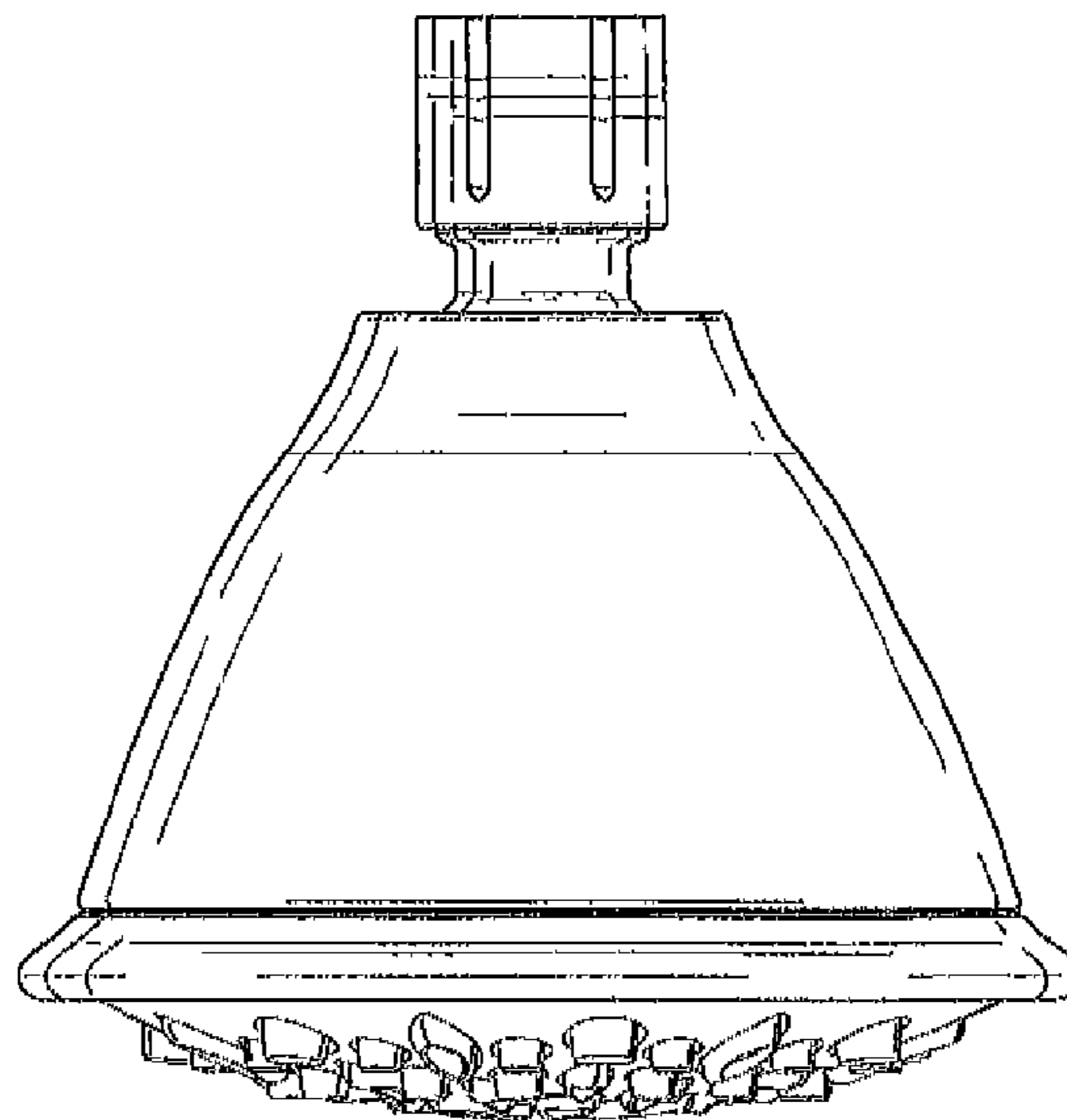


Fig-7