



US00D672434S

(12) **United States Design Patent**
Perez

(10) **Patent No.:** **US D672,434 S**
(45) **Date of Patent:** **** Dec. 11, 2012**

(54) **HANDHELD FLUID SPRAYER**

(75) Inventor: **Ricardo Perez**, Branford, CT (US)

(73) Assignee: **Wagner Spray Tech Corporation**,
Plymouth, MN (US)

(**) Term: **14 Years**

(21) Appl. No.: **29/427,234**

(22) Filed: **Jul. 16, 2012**

Related U.S. Application Data

(62) Division of application No. 29/375,540, filed on Sep. 23, 2010, now Pat. No. Des. 666,693.

(51) **LOC (9) Cl.** **23-01**

(52) **U.S. Cl.** **D23/225**

(58) **Field of Classification Search** D23/213,
D23/225; 239/302, 308, 310, 332, 333, 337,
239/373, DIG. 14

See application file for complete search history.

(56) **References Cited**

U.S. PATENT DOCUMENTS

D467,991 S	12/2002	Ibele
D503,213 S	3/2005	Stevens et al.
D503,215 S	3/2005	Stevens et al.
D519,603 S	4/2006	Schumann et al.
D573,226 S	7/2008	Everett et al.
D589,116 S	3/2009	Bruggeman
D609,778 S	2/2010	Woodgate
D630,708 S	1/2011	Blenkush et al.

OTHER PUBLICATIONS

Prosecution documents for U.S. Appl. No. 29/375,540, 27 pages.
Wagner Paint Fast. Paint Smart Owner's Manual, Jan. 2009, Form No. 0525802B, 20 pages.
Home Right C800769, Pro 6.8 Heavy Duty Paint Sprayer, Amazon.com, dated Sep. 10, 2010, 4 pages.
Black & Decker Pro 6.8 Paint/Stain Sprayer Model #C0800713, <http://www.blackanddecker.com/ProductGuide/Product-Details.aspx?ProductID=20475>, dated Sep. 10, 2010, 1 page.

Primary Examiner — Robin V Webster

(74) *Attorney, Agent, or Firm* — Westman, Champlin & Kelly, P.A.

(57) **CLAIM**

The ornamental design for a handheld fluid sprayer, as shown and described.

DESCRIPTION

FIG. 1 is a perspective view of the handheld fluid sprayer.
FIG. 2 is a rear view of the handheld fluid sprayer.
FIG. 3 is a front view of the handheld fluid sprayer.
FIG. 4 is a right side view of the handheld fluid sprayer.
FIG. 5 is a left side view of the handheld fluid sprayer.
FIG. 6 is a top view of the handheld fluid sprayer; and,
FIG. 7 is a bottom view of the handheld fluid sprayer.
The details shown in broken lines form no part of the claimed design.

1 Claim, 7 Drawing Sheets

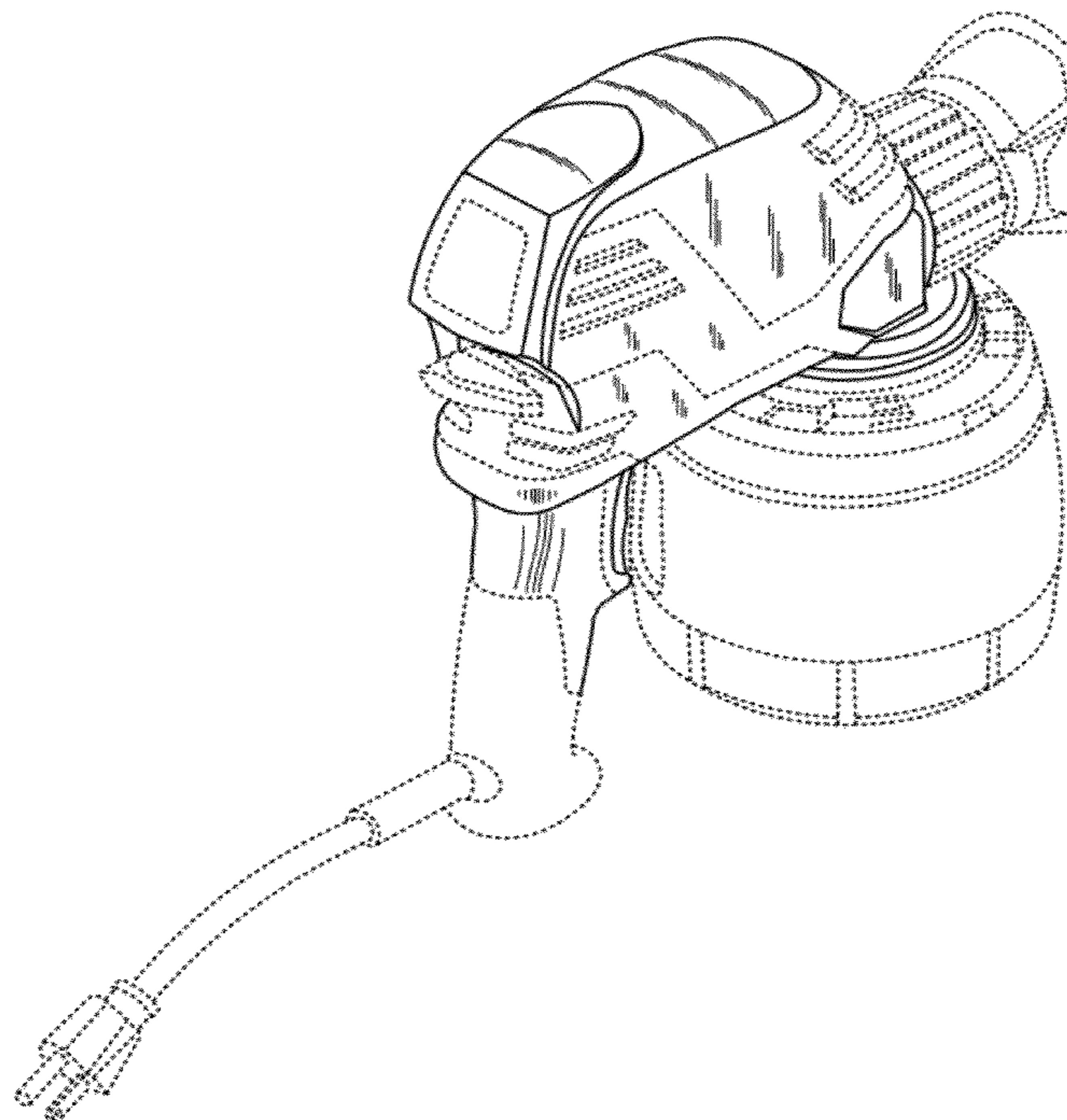


FIG. 1

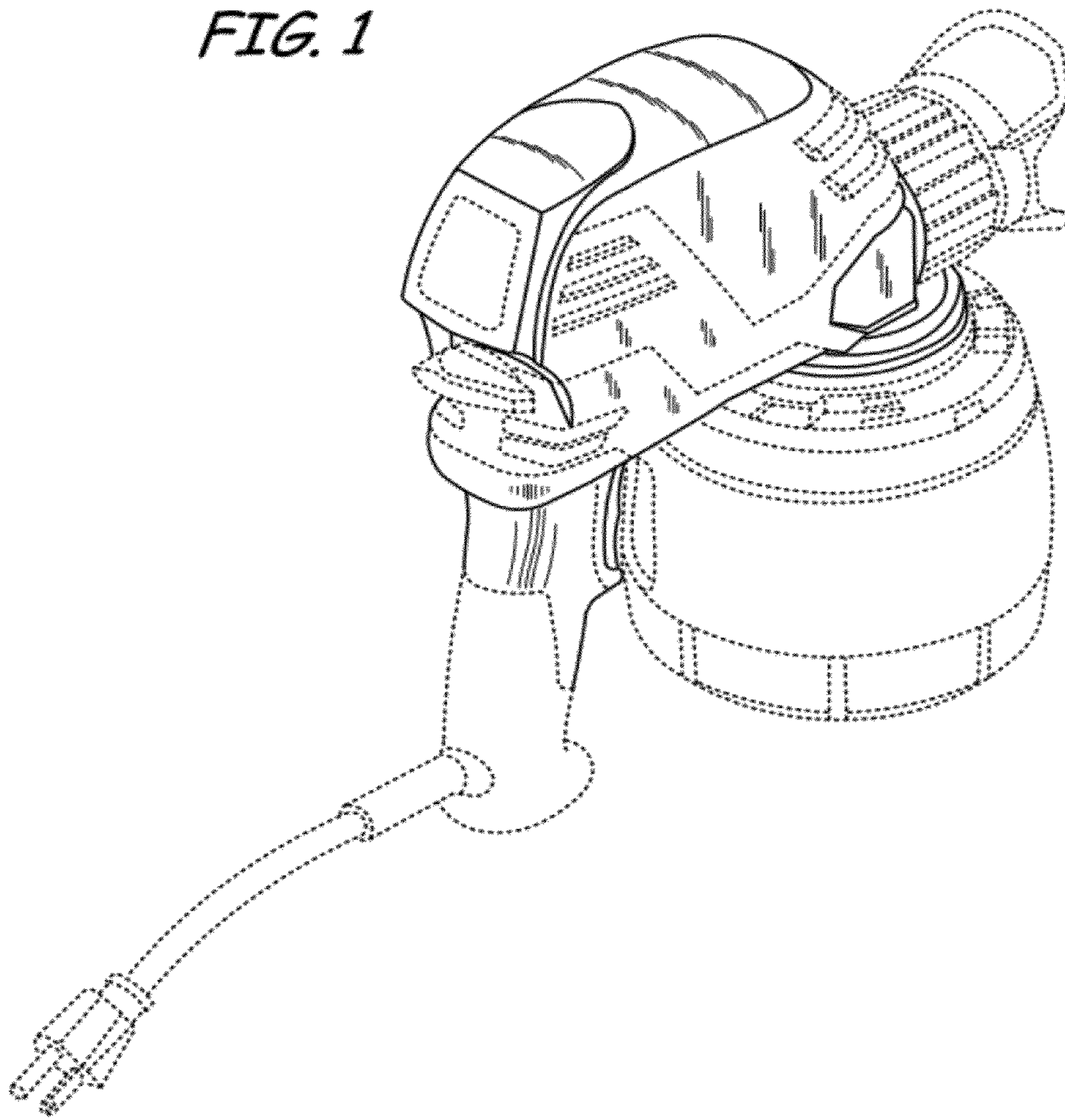


FIG. 2

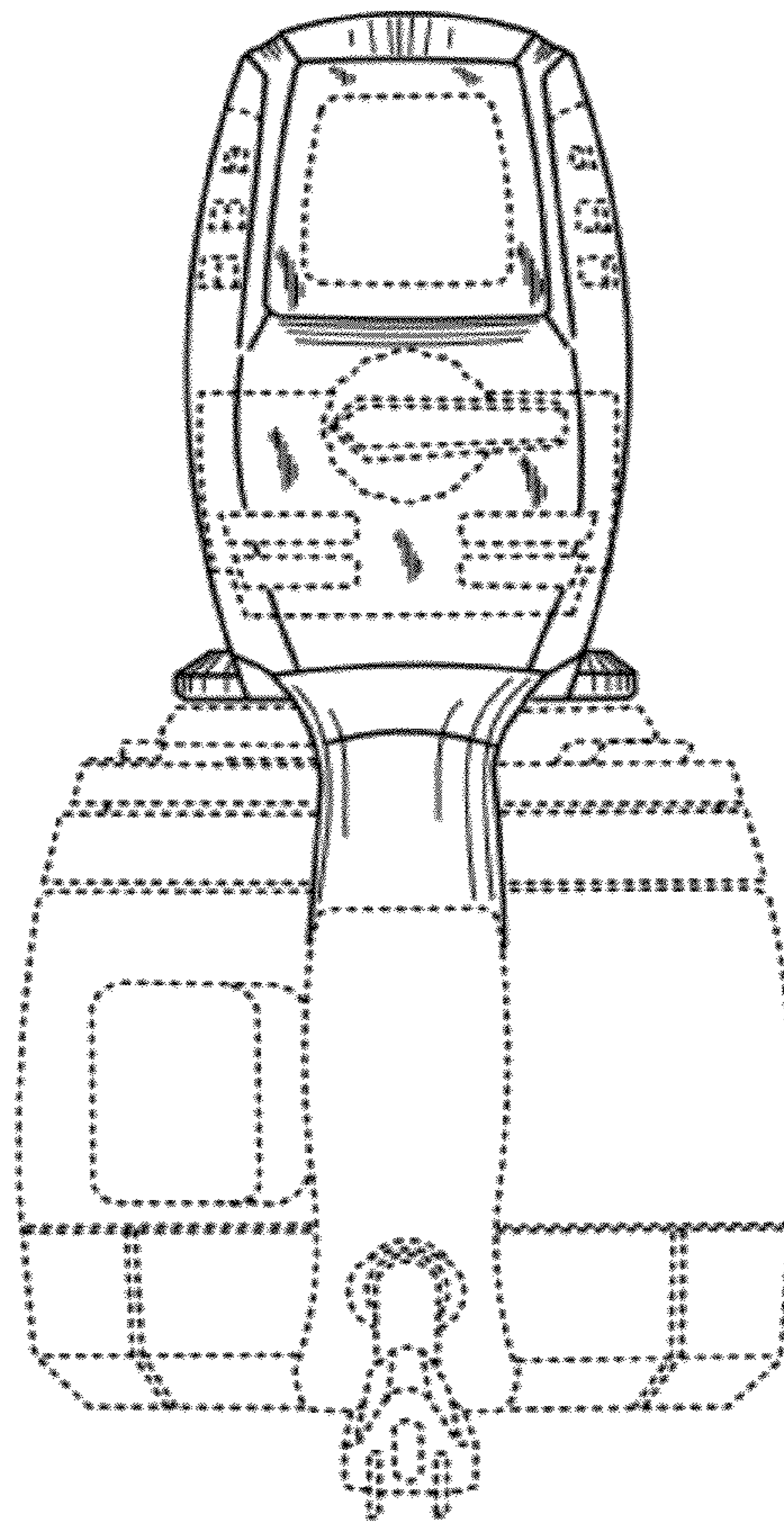
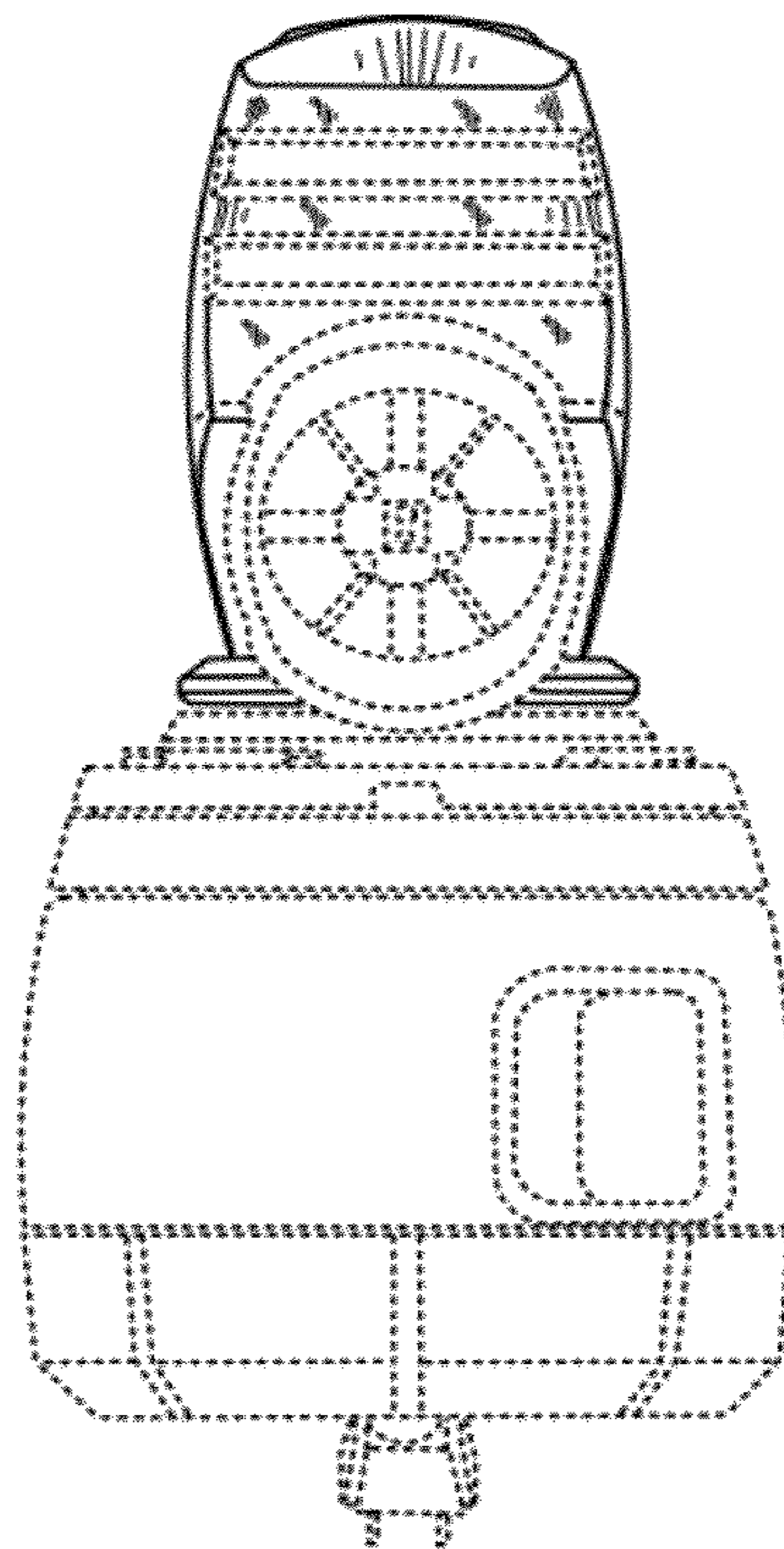


FIG. 3



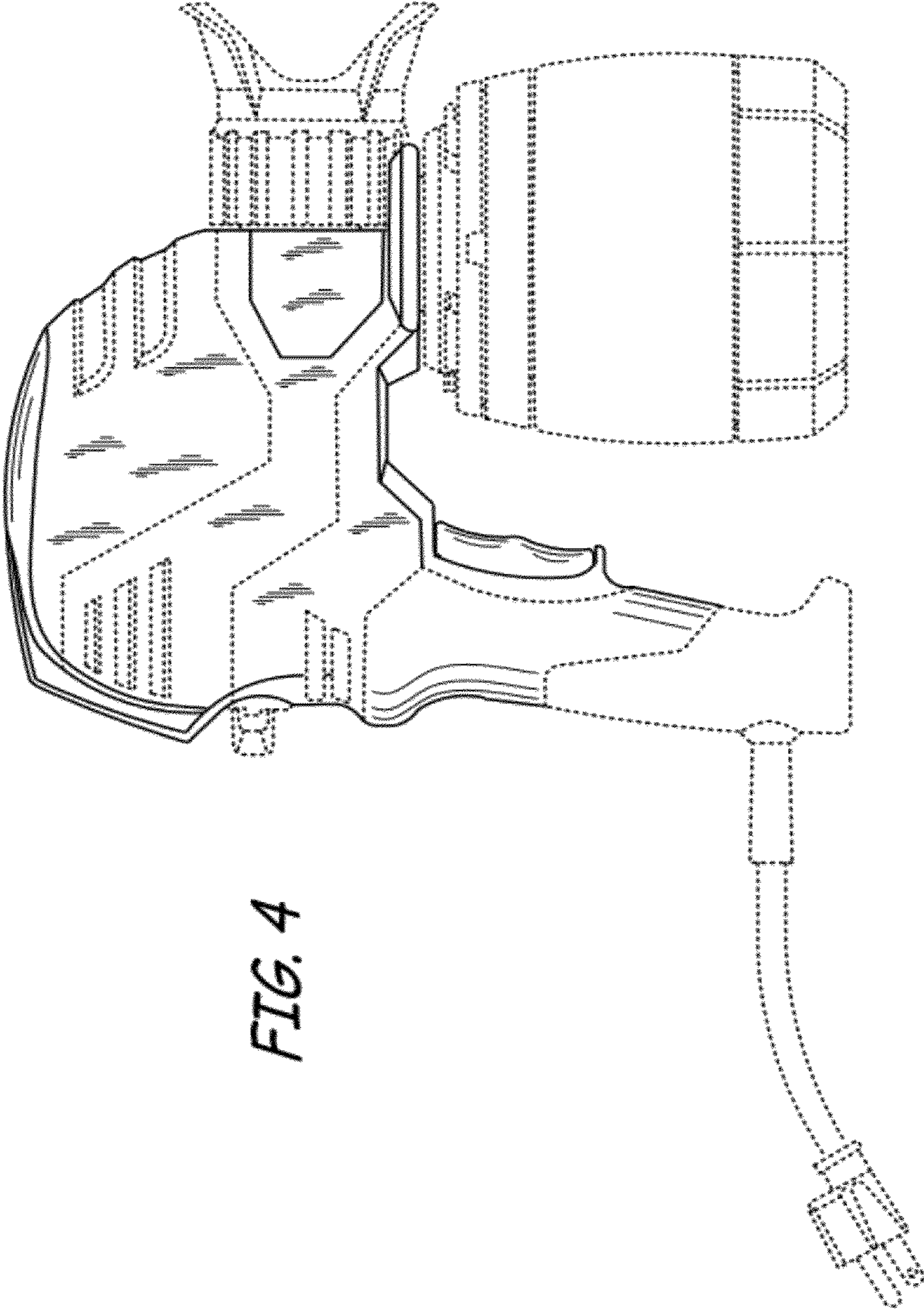
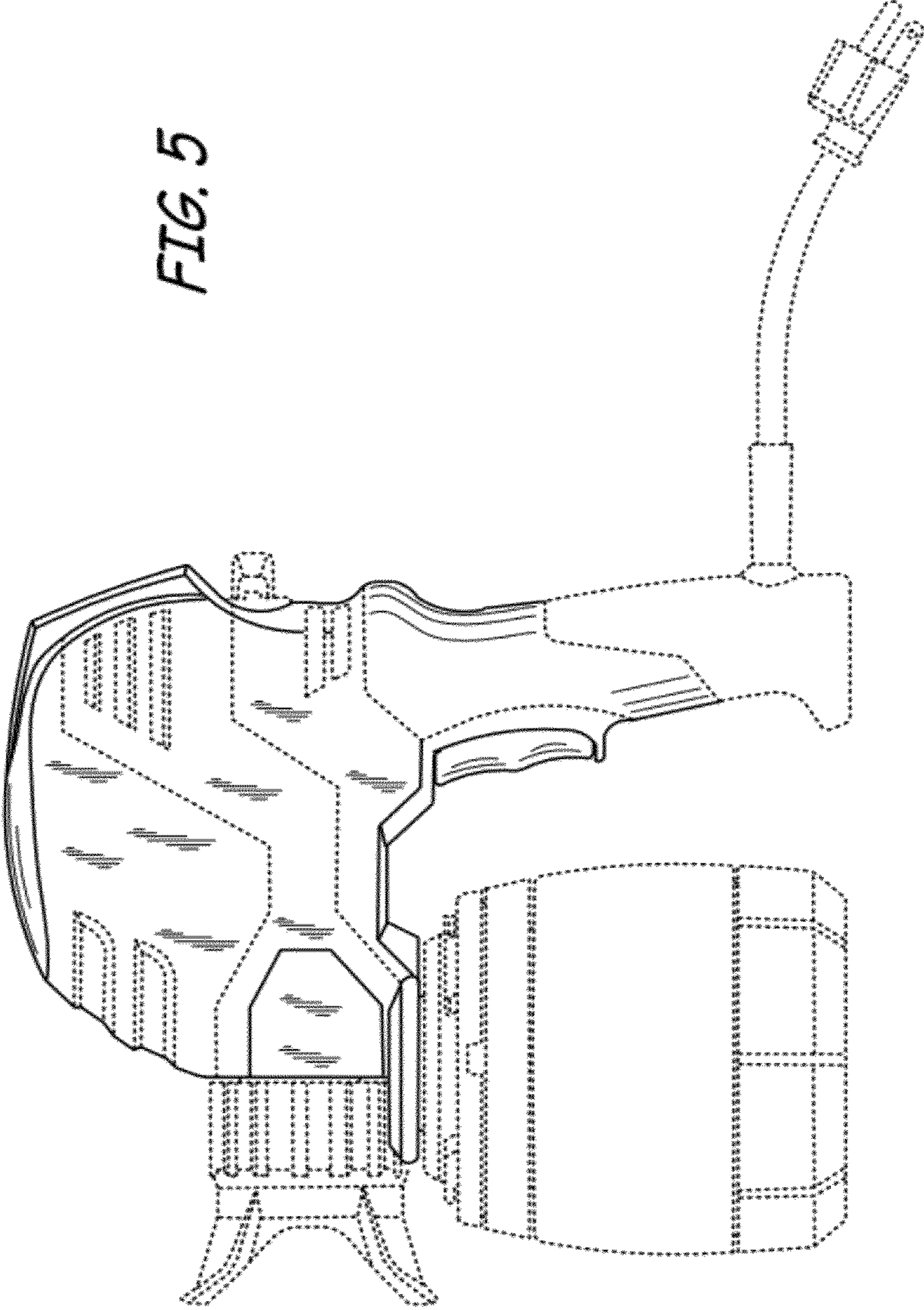


FIG. 4

FIG. 5



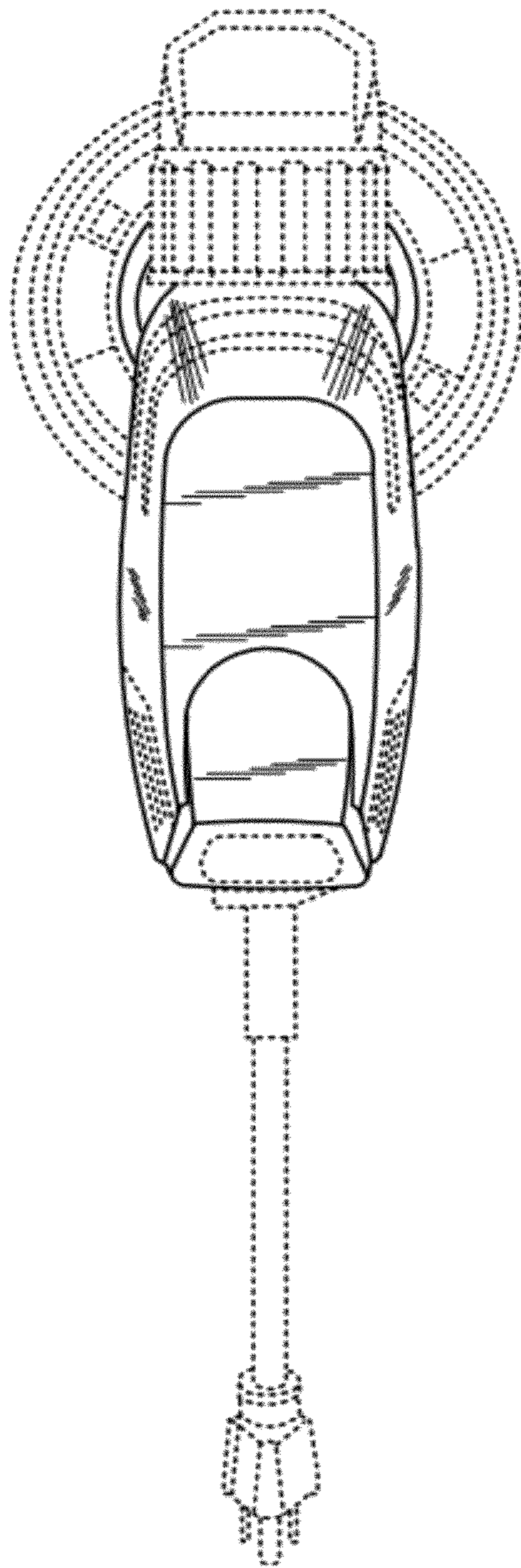


FIG. 6

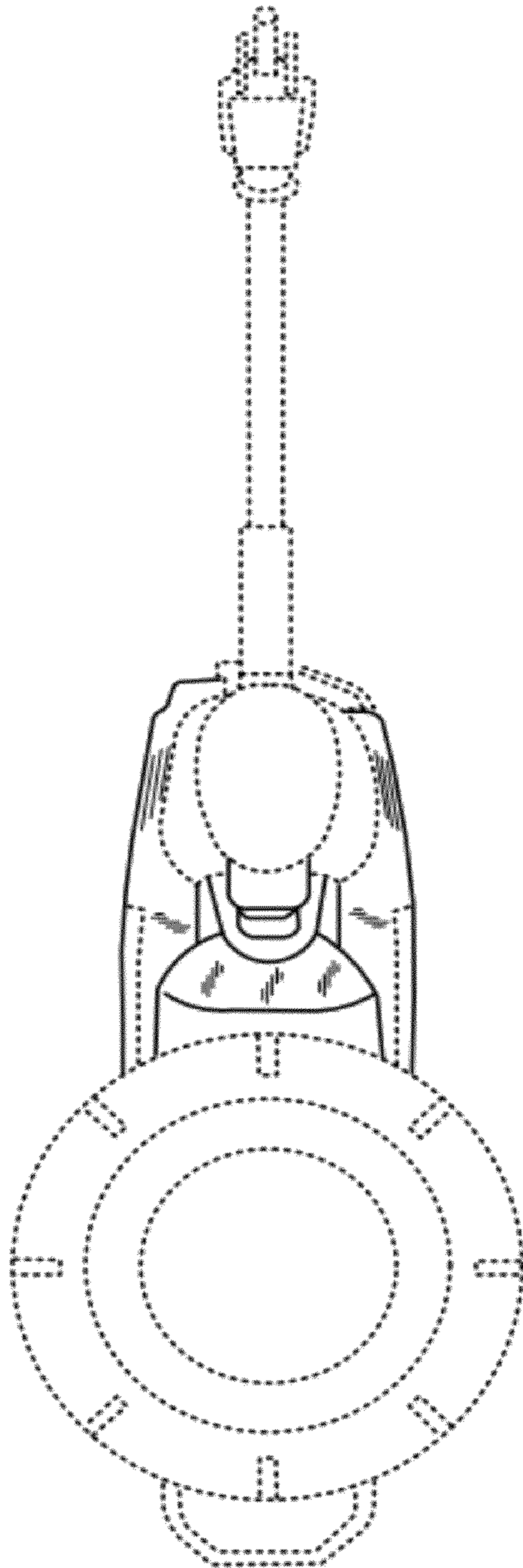


FIG. 7