



US00D672432S

(12) **United States Design Patent**
Spangler

(10) **Patent No.:** **US D672,432 S**

(45) **Date of Patent:** **** Dec. 11, 2012**

(54) **SHOWER**

D652,892 S * 1/2012 Obara et al. D23/213
D653,304 S * 1/2012 Obara et al. D23/223
D655,381 S * 3/2012 Flowers et al. D23/223

(75) Inventor: **Anthony Spangler**, Indianapolis, IN
(US)

* cited by examiner

(73) Assignee: **Masco Corporation of Indiana**,
Indianapolis, IN (US)

Primary Examiner — Robin V Webster

(74) *Attorney, Agent, or Firm* — Edgar A. Zarins; Nirav D.
Parikh; Lora J. Graentzdoerffer

(**) Term: **14 Years**

(21) Appl. No.: **29/418,005**

(57) **CLAIM**

The ornamental design for a shower, as shown and described.

(22) Filed: **Apr. 11, 2012**

(51) **LOC (9) Cl.** **23-01**

(52) **U.S. Cl.** **D23/213; D23/223**

(58) **Field of Classification Search** D23/213,
D23/223, 229, 230; 239/282, 283; 4/615
See application file for complete search history.

DESCRIPTION

FIG. 1 is a perspective view of a shower showing my new design;

FIG. 2 is a front elevational view thereof;

FIG. 3 is a top end view thereof;

FIG. 4 is a bottom end view thereof;

FIG. 5 is a first side view thereof;

FIG. 6 is a second side view thereof; and,

FIG. 7 is a rear view thereof.

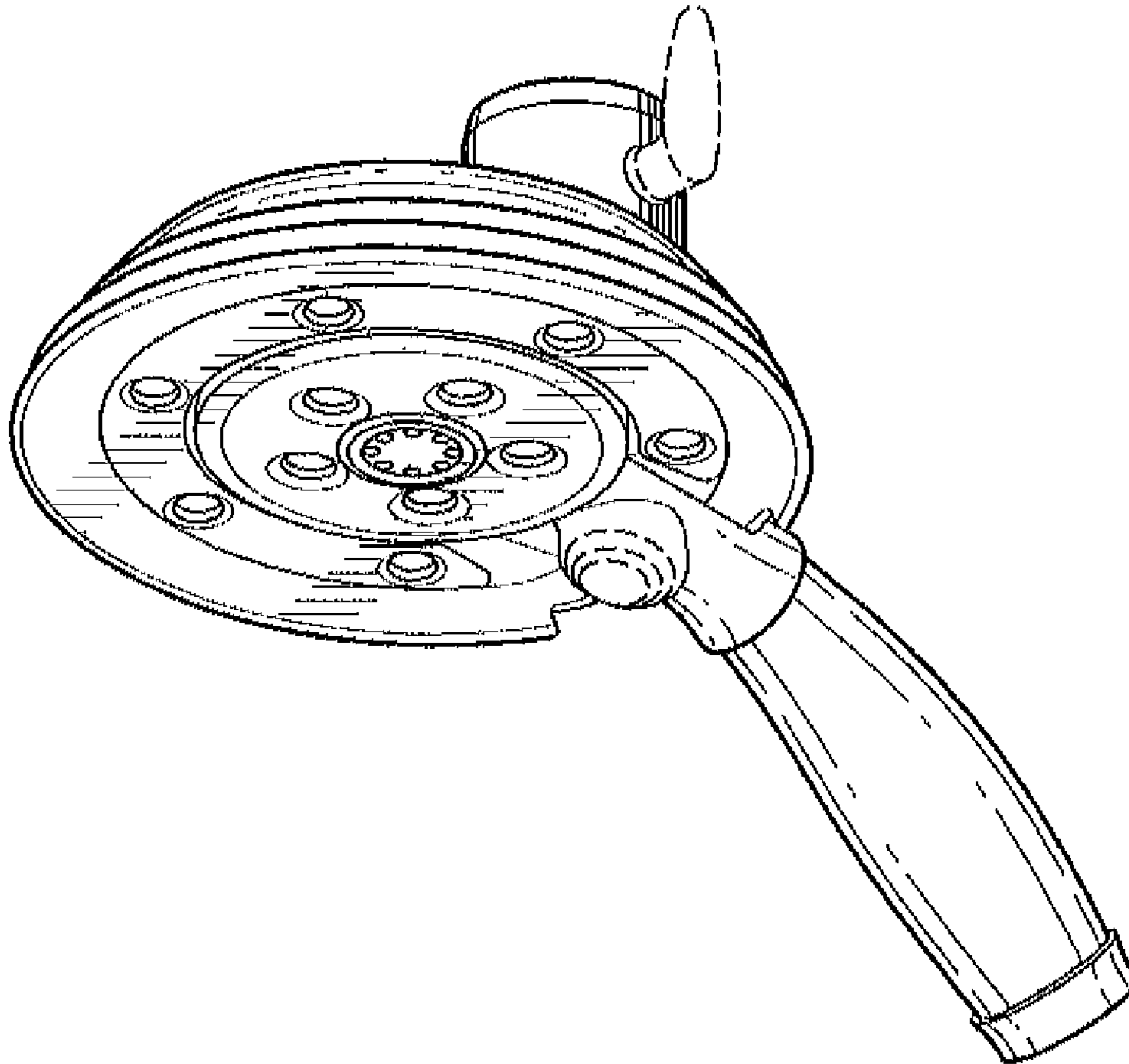
The broken line showing is included for the purpose of illustrating and forms no part of the claimed design.

(56) **References Cited**

U.S. PATENT DOCUMENTS

D509,562 S	*	9/2005	Kobi et al.	D23/213
D579,517 S	*	10/2008	Corbett	D23/223
D581,485 S	*	11/2008	Kollmann et al.	D23/223
D621,904 S	*	8/2010	Yoo et al.	D23/213
D621,905 S	*	8/2010	Yoo et al.	D23/213

1 Claim, 2 Drawing Sheets



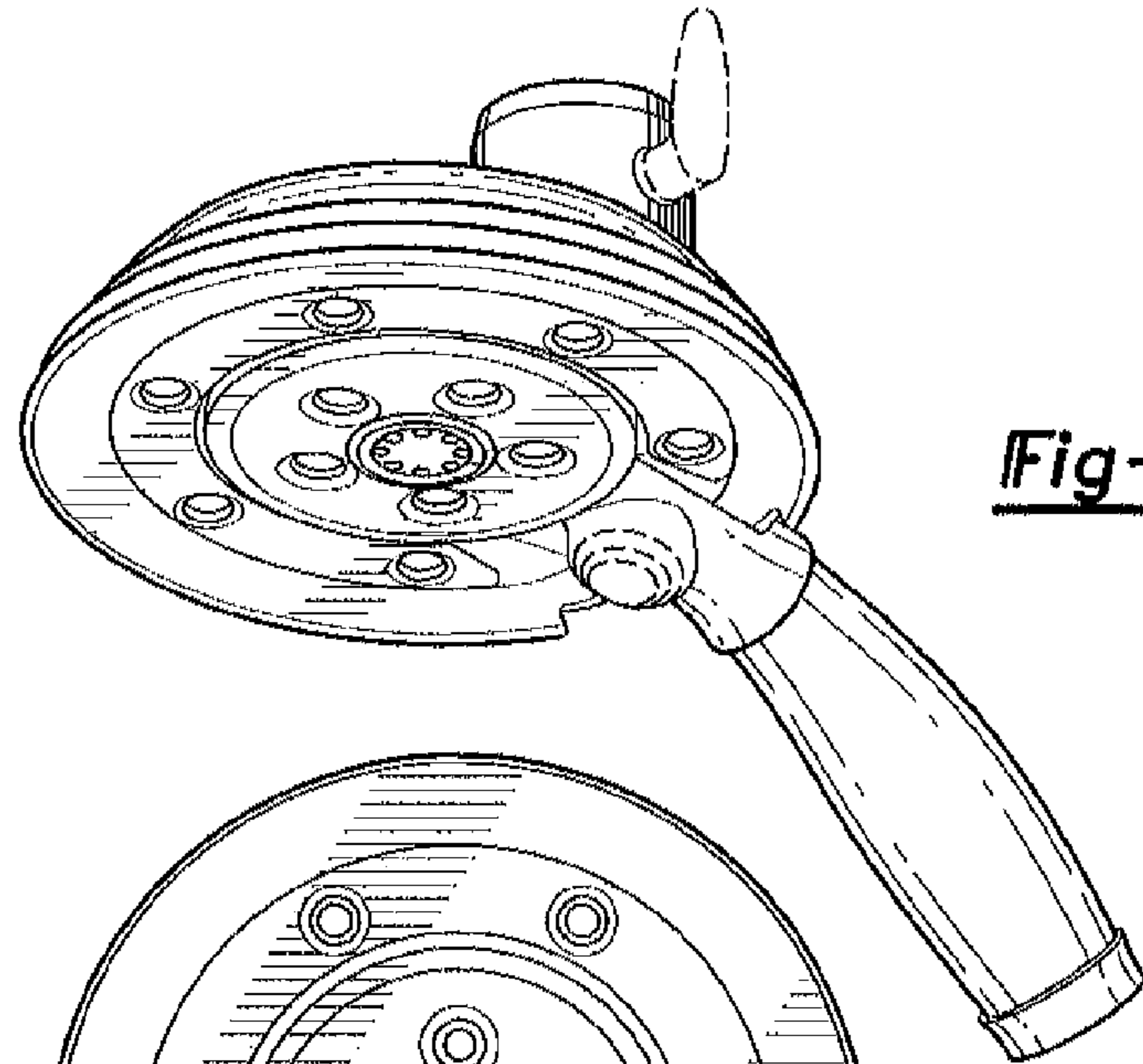


Fig-1

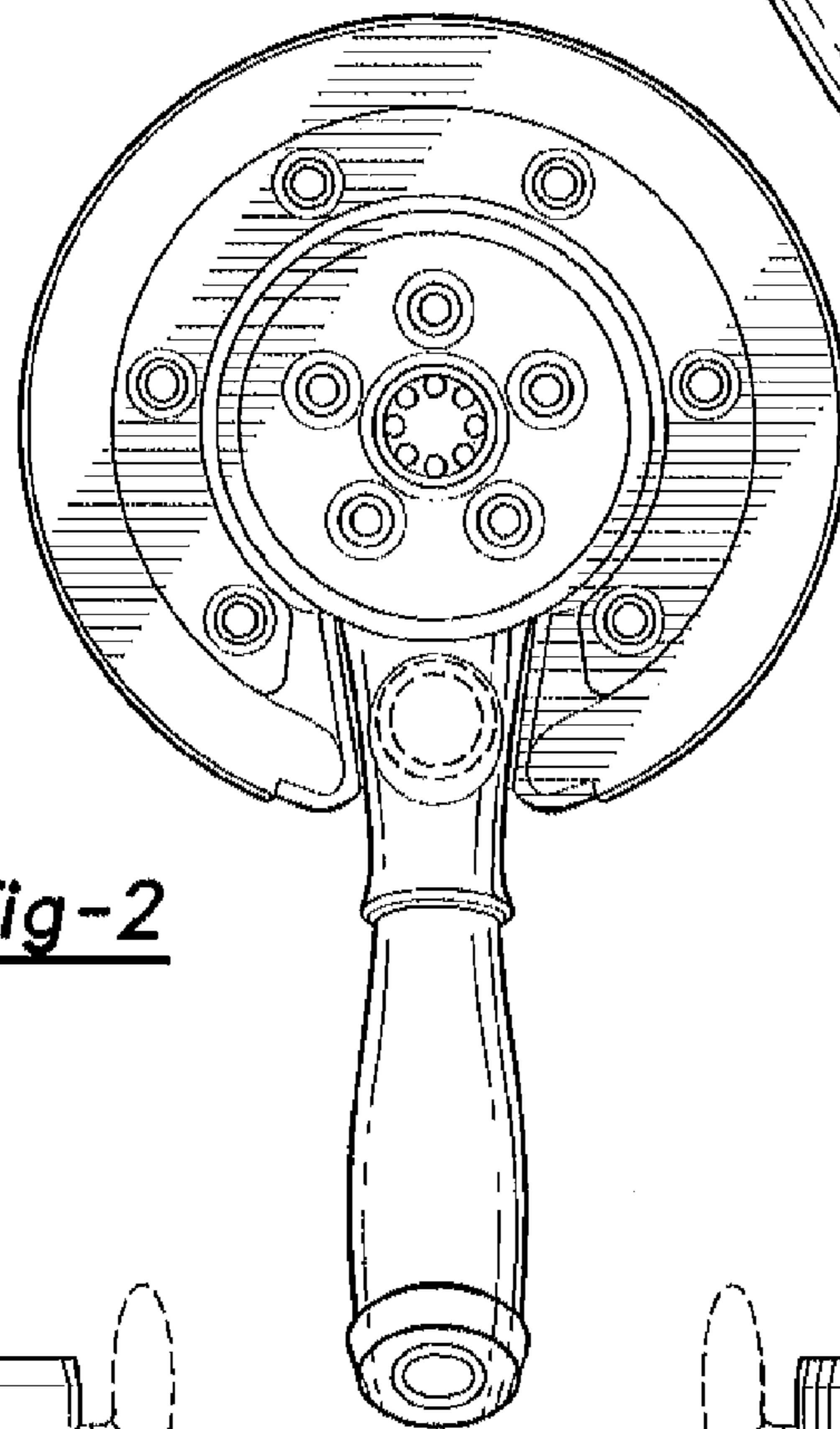


Fig-2

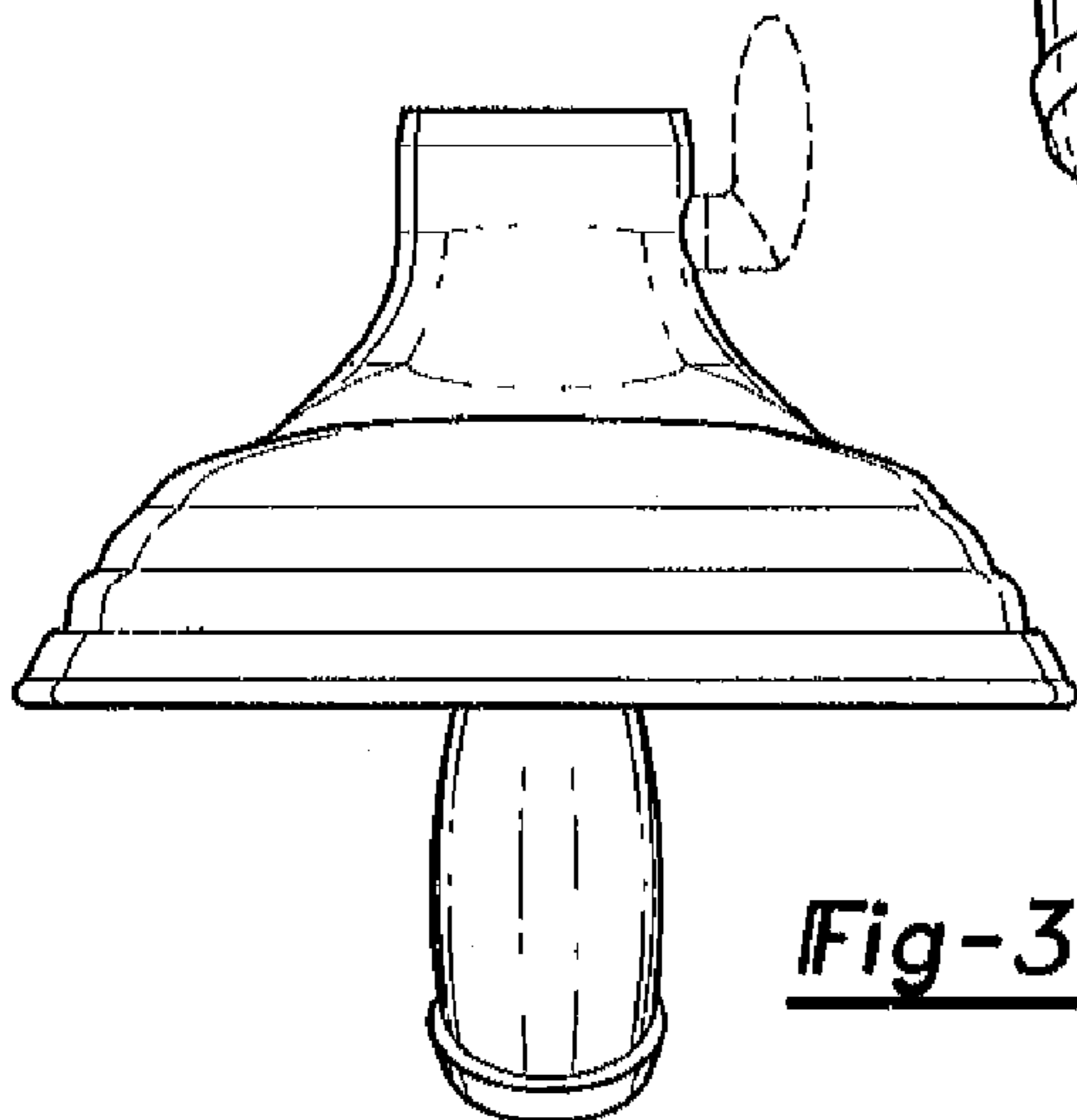


Fig-3

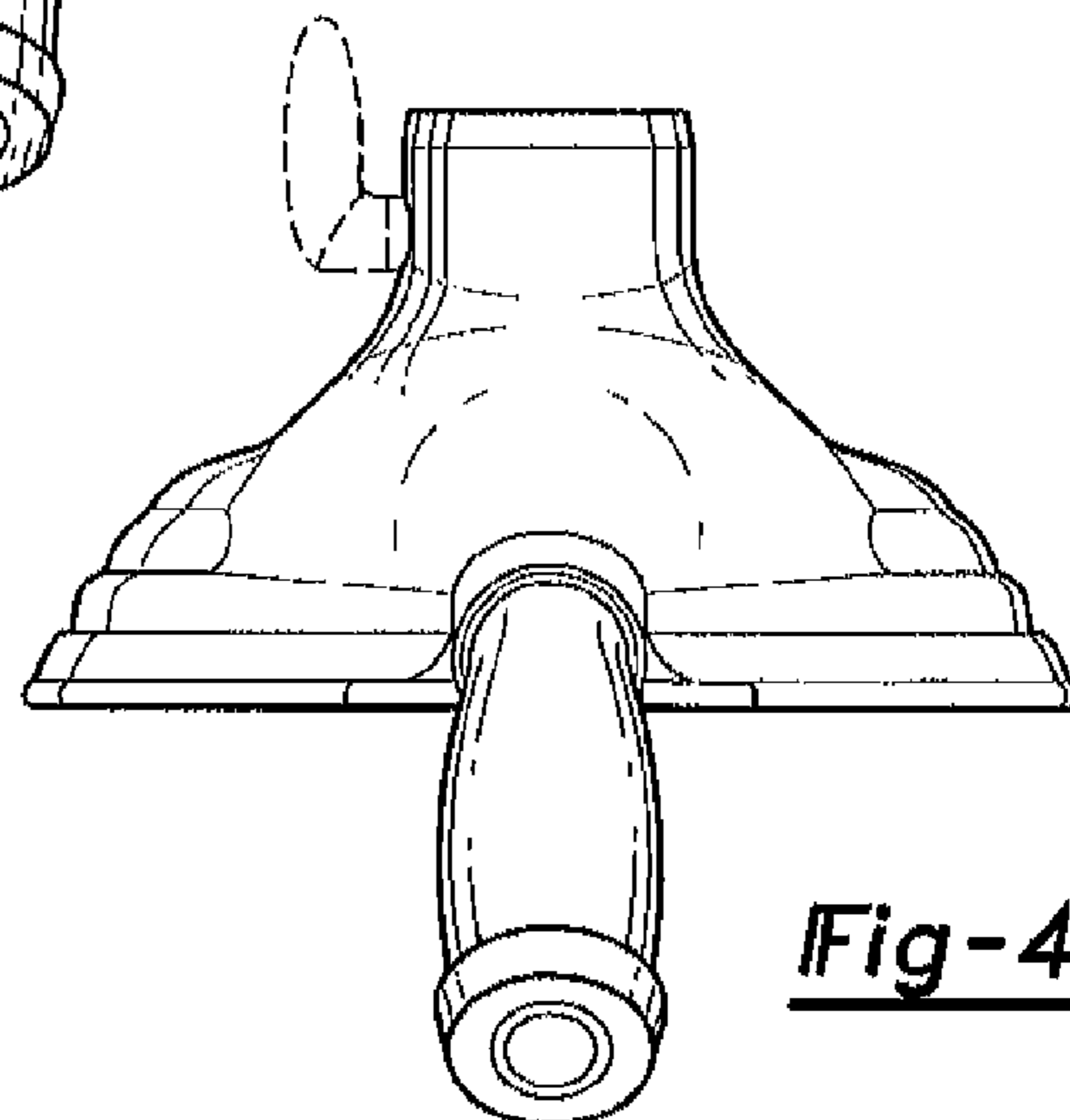


Fig-4

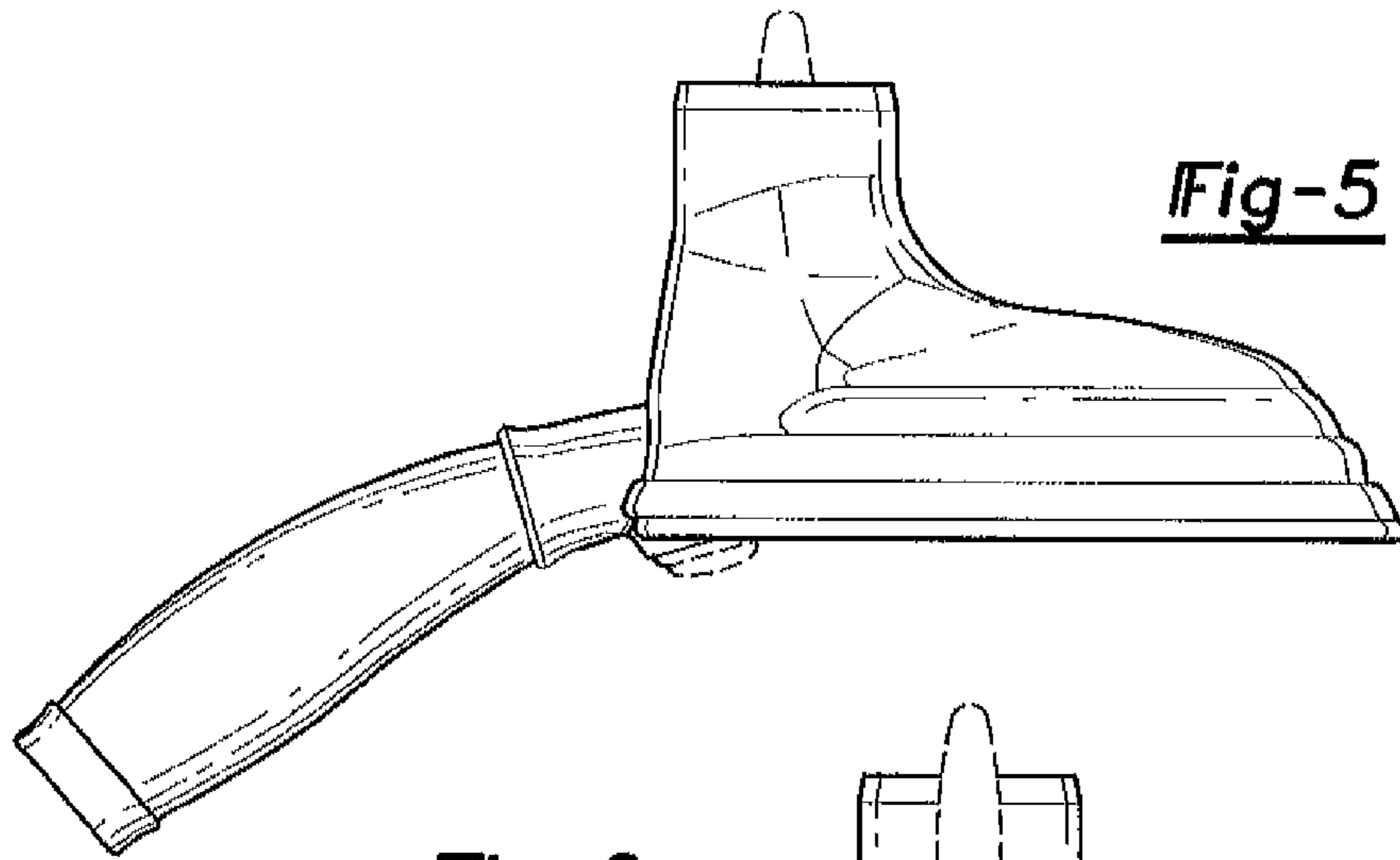


Fig-5

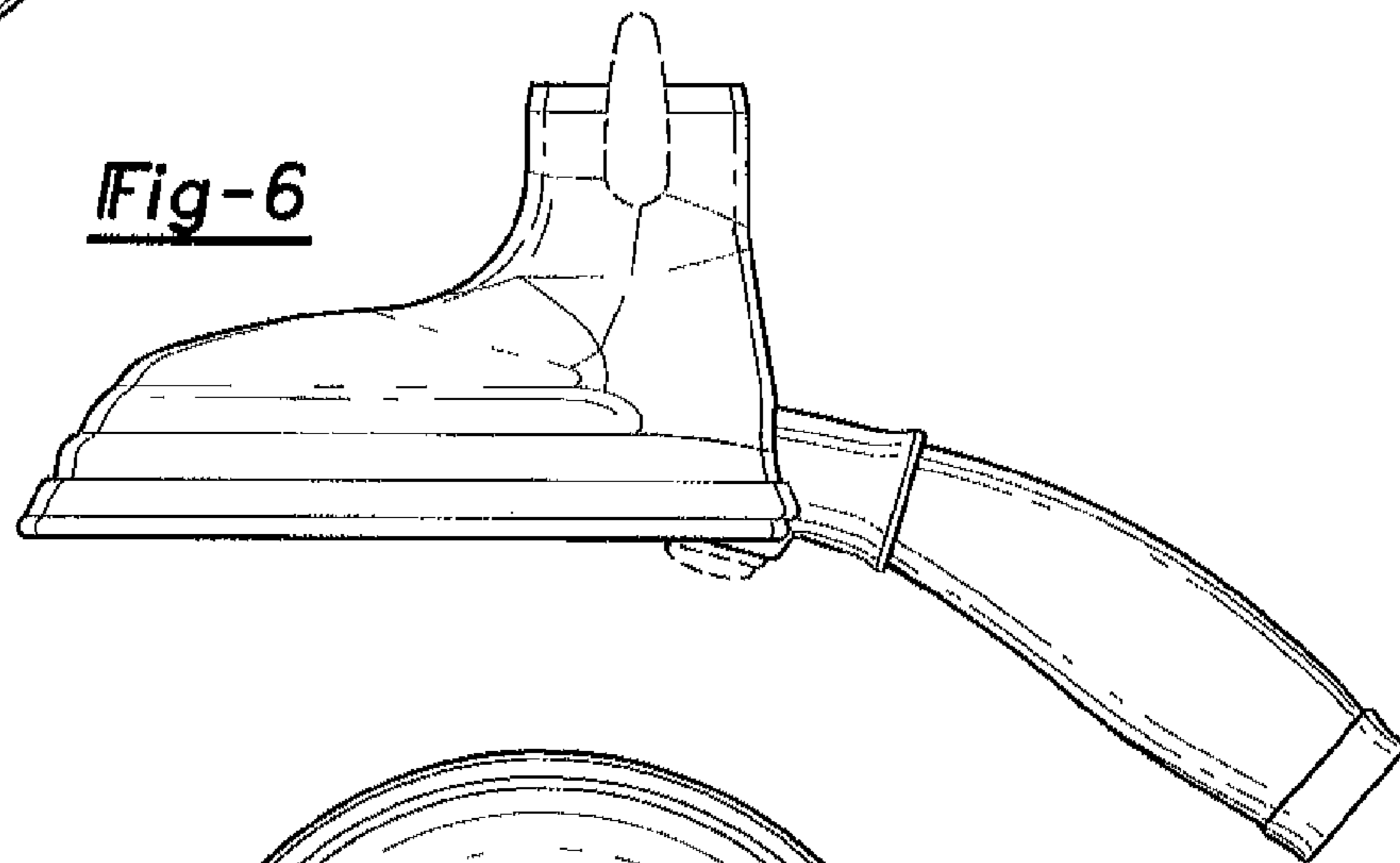


Fig-6

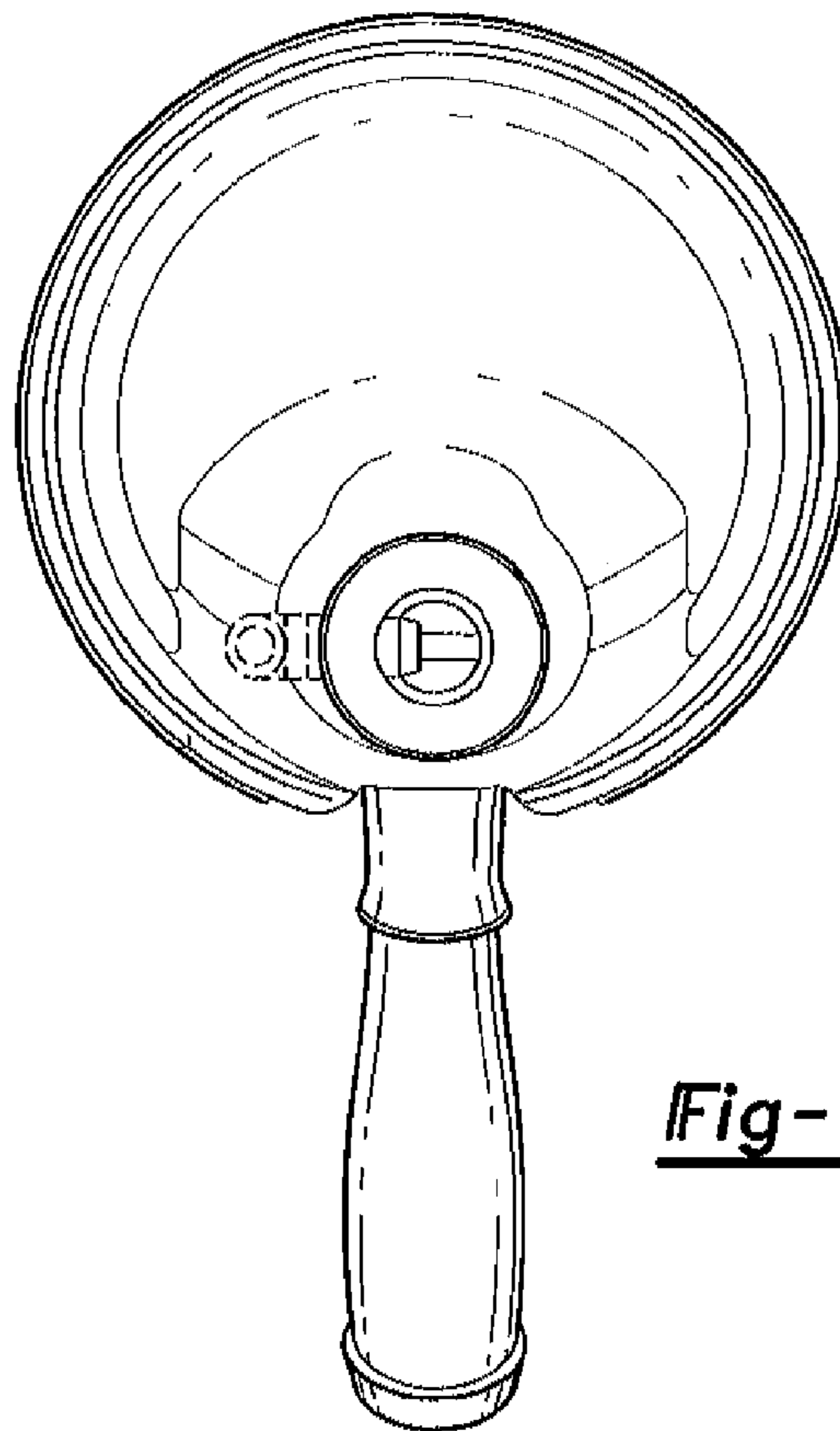


Fig-7