



US00D672428S

(12) **United States Design Patent**
Lin

(10) **Patent No.:** **US D672,428 S**

(45) **Date of Patent:** **** Dec. 11, 2012**

(54) **FISHING ROD REEL SEAT**

D589,112 S * 3/2009 Lin D22/142
D607,533 S * 1/2010 Ezuka et al. D22/142
D613,366 S * 4/2010 Lin D22/142

(76) Inventor: **Yi-Te Lin**, Tainan (TW)

* cited by examiner

(**) Term: **14 Years**

Primary Examiner — Catheri Oliver-Garcia

(21) Appl. No.: **29/423,728**

(57) **CLAIM**

The ornamental design for the fishing rod reel seat, as shown and described.

(22) Filed: **Jun. 4, 2012**

DESCRIPTION

(51) **LOC (9) Cl.** **22-05**

(52) **U.S. Cl.** **D22/142**

(58) **Field of Classification Search** D22/142,
D22/134, 137–139; 43/18.1 R, 22–23
See application file for complete search history.

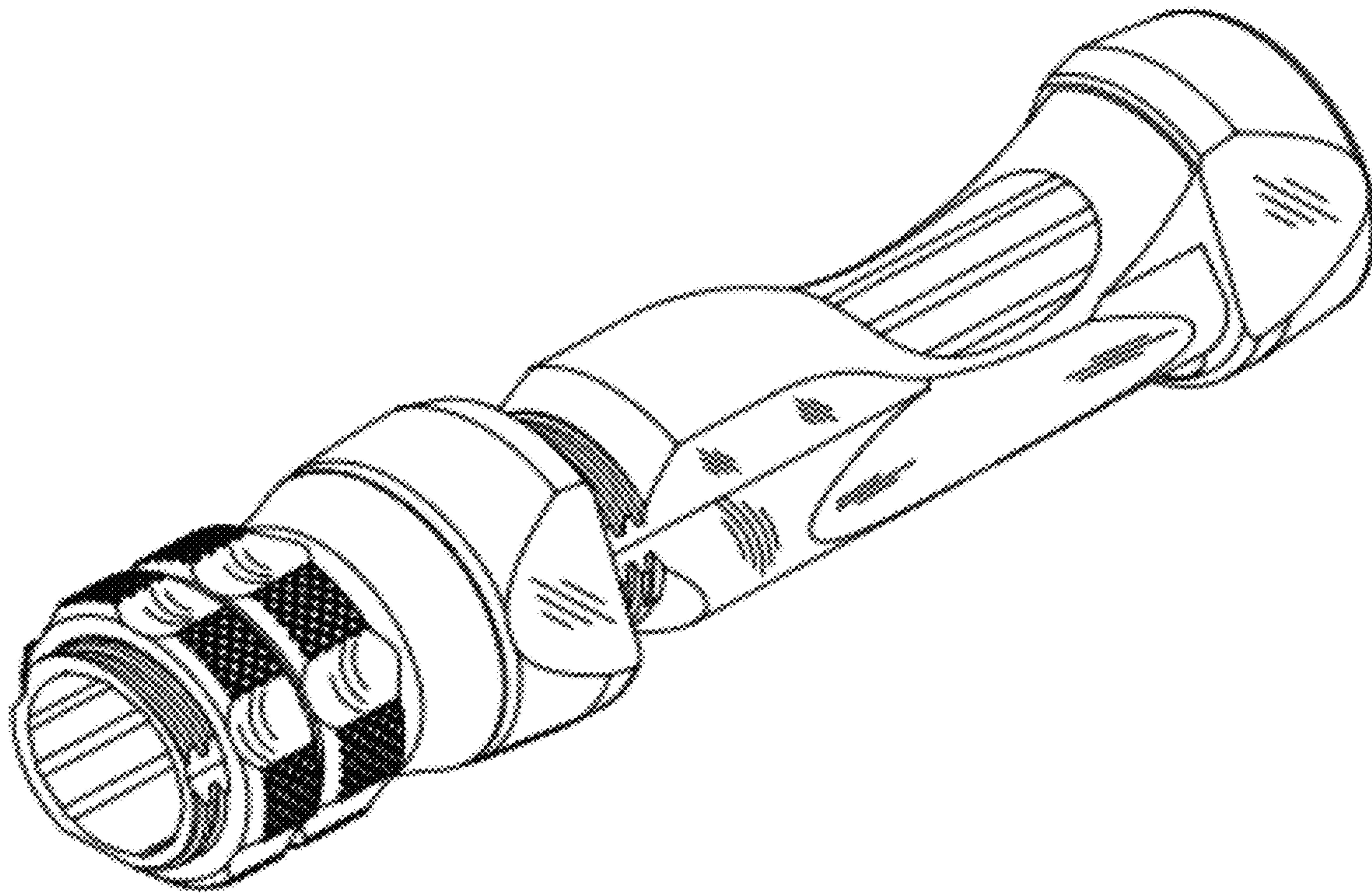
FIG. 1 is a perspective view of the fishing rod roller seat showing my new design;
FIG. 2 is a front elevation view thereof;
FIG. 3 is a rear elevation view thereof;
FIG. 4 is a left side elevation view thereof;
FIG. 5 is a right side elevation view thereof;
FIG. 6 is a top plan view thereof; and,
FIG. 7 is a bottom plan view thereof.

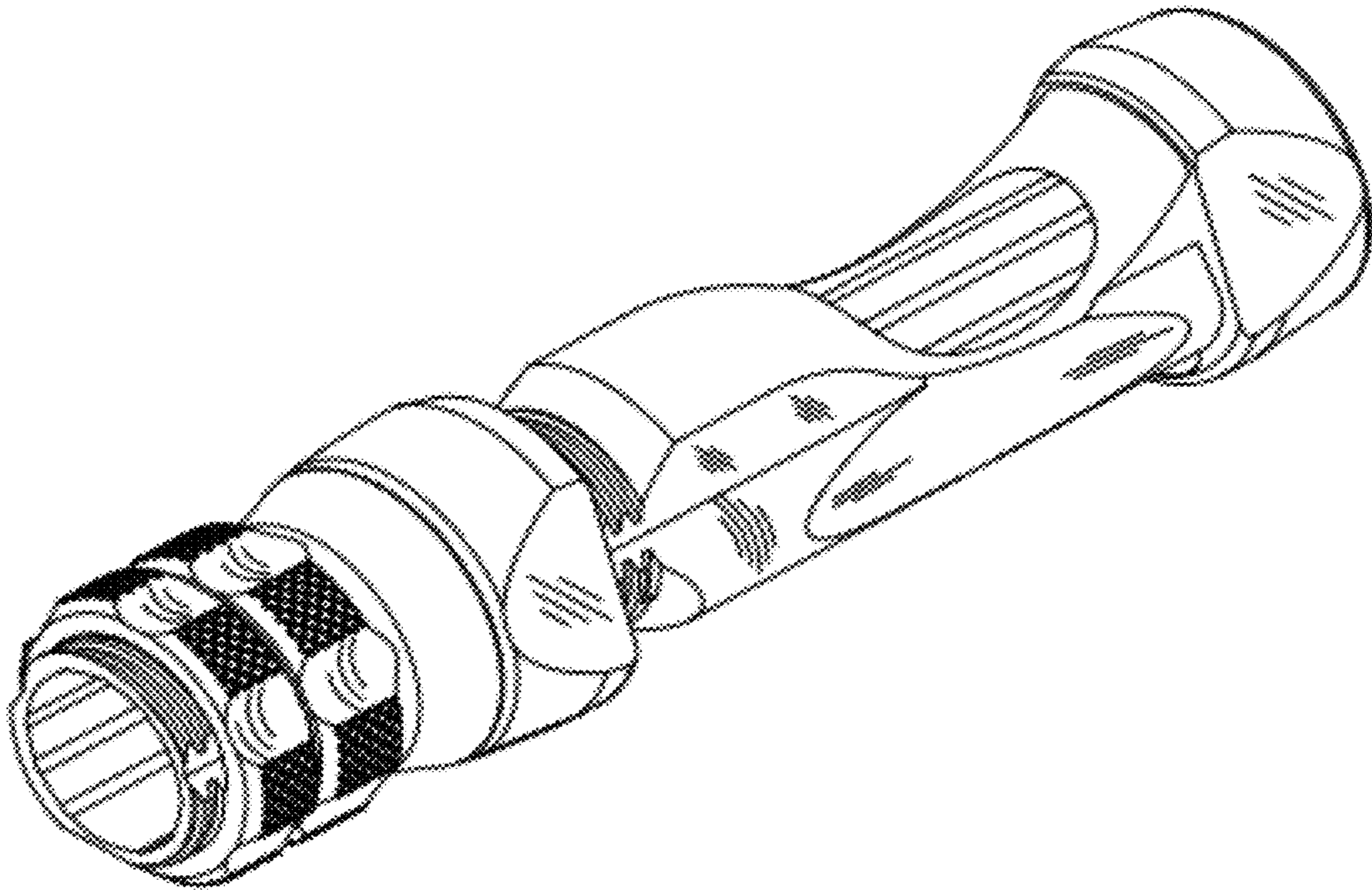
(56) **References Cited**

U.S. PATENT DOCUMENTS

D323,543 S * 1/1992 Oyama D22/142
D390,307 S * 2/1998 Ohmura D22/142
6,067,740 A * 5/2000 Alley 43/22

1 Claim, 5 Drawing Sheets





F I G . 1

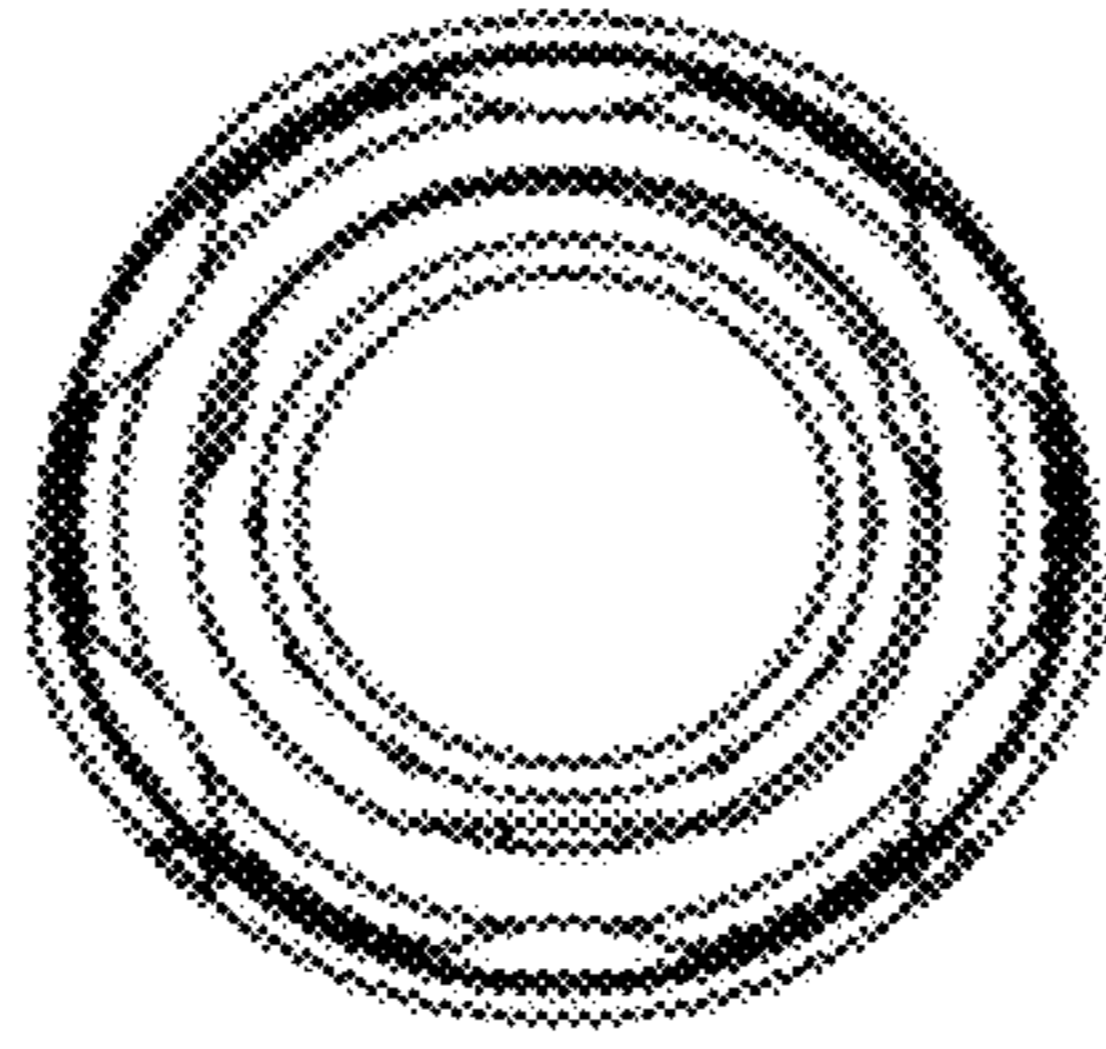


FIG. 2

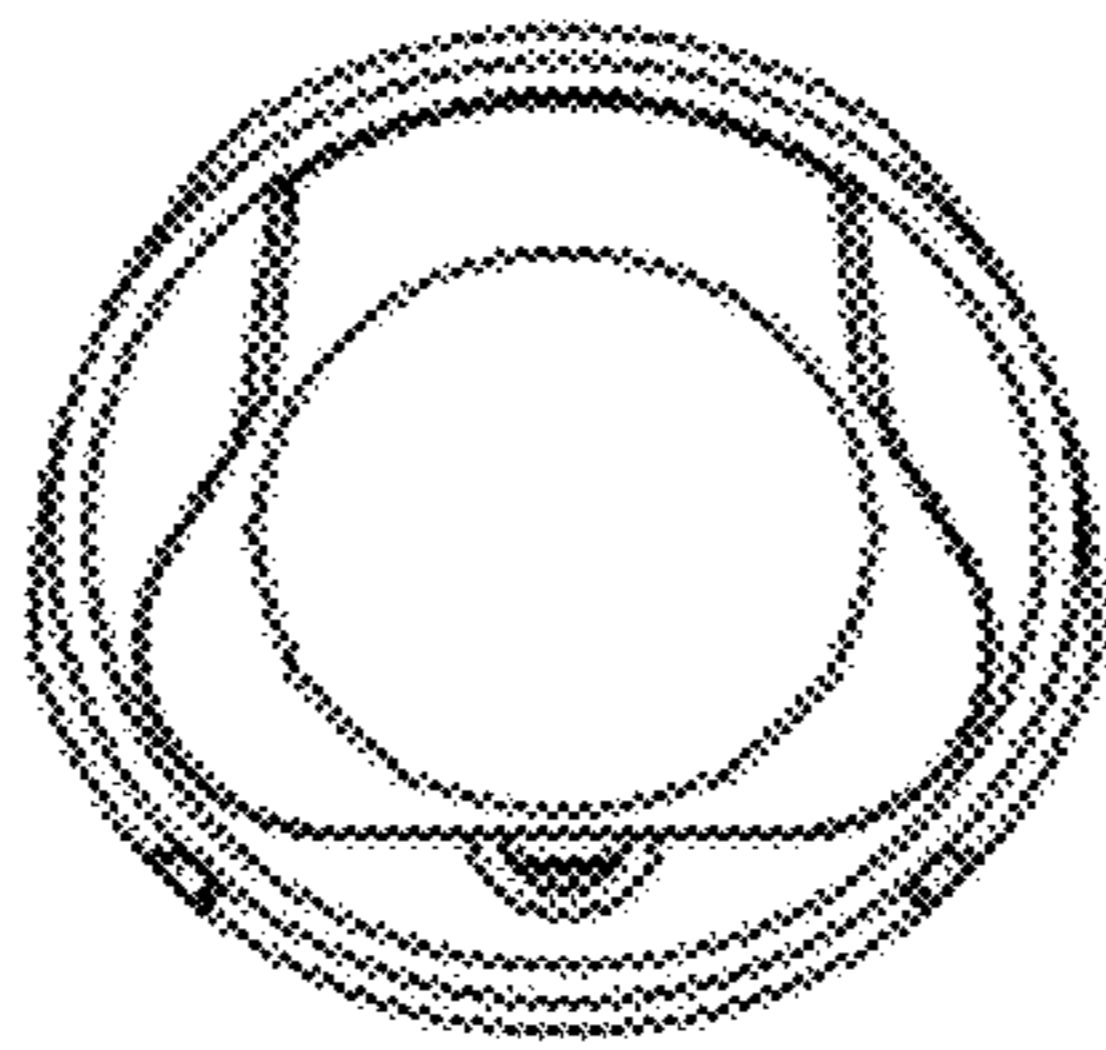
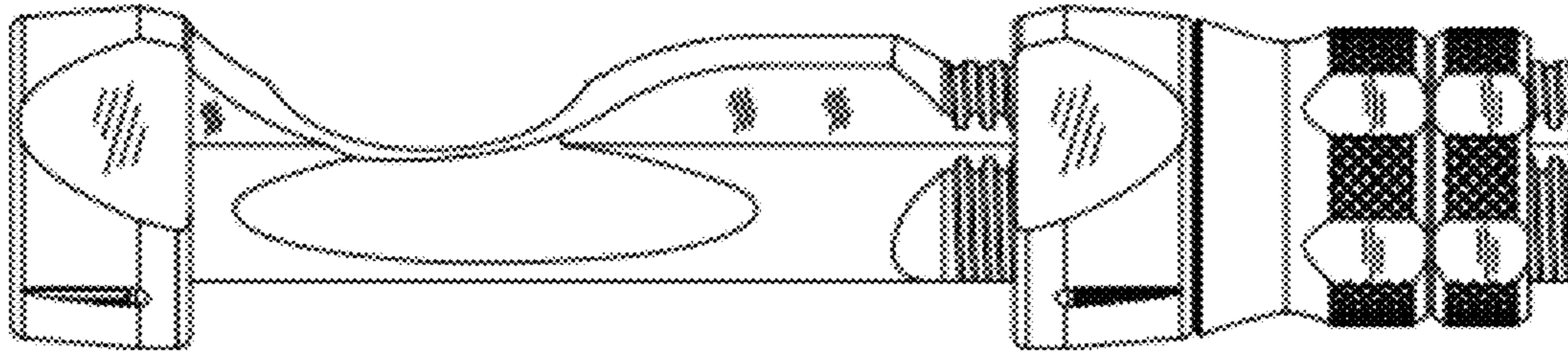
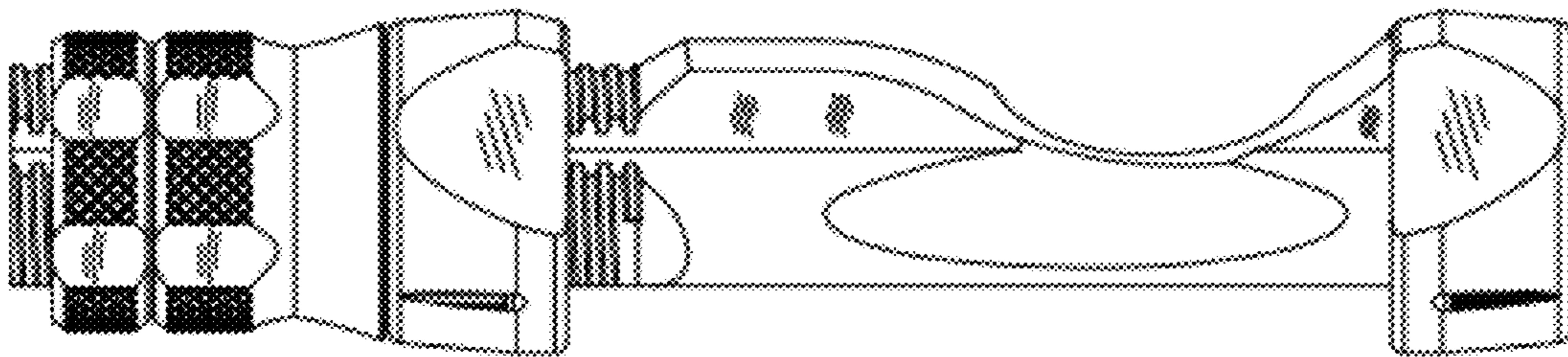


FIG. 3



F I G . 4



F I G . 5

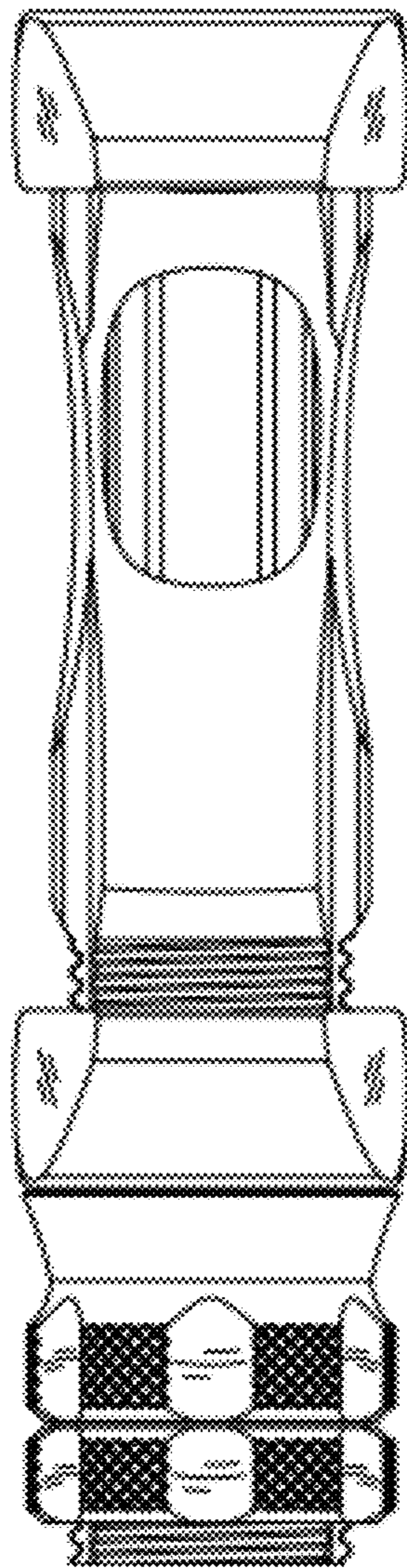


FIG. 6

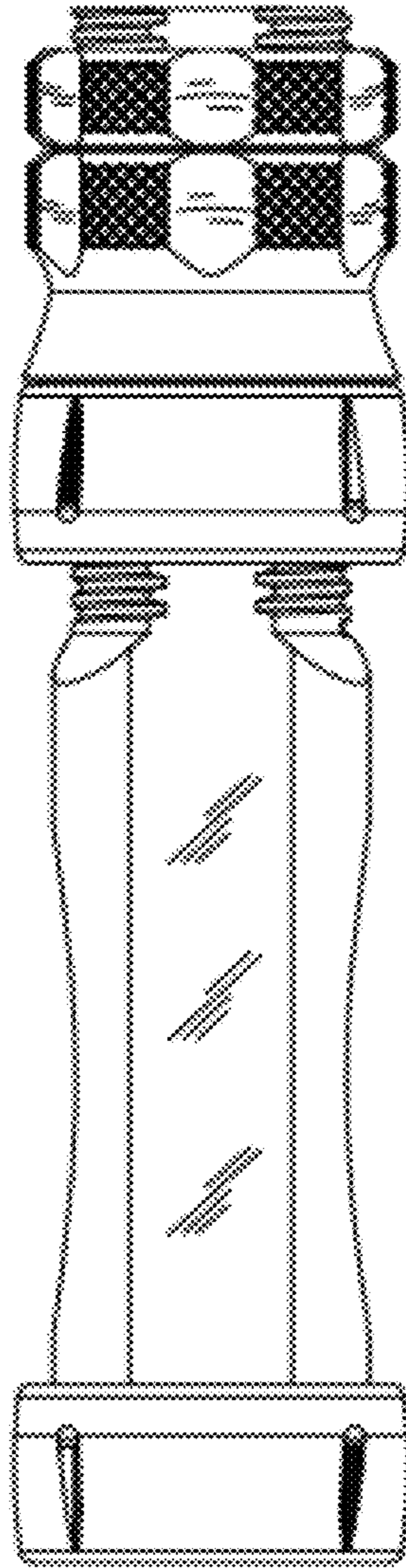


FIG. 7