



US00D672427S

(12) **United States Design Patent**
Adcock

(10) **Patent No.:** **US D672,427 S**

(45) **Date of Patent:** **** Dec. 11, 2012**

(54) **THREADED FISHING LURE**

D433,727 S * 11/2000 Gibbs D22/126
D469,153 S * 1/2003 Gibbs D22/132
D654,980 S * 2/2012 Dorris D22/127

(76) Inventor: **Allen Adcock**, Oak Forest, IL (US)

* cited by examiner

(**) Term: **14 Years**

Primary Examiner — Catheri Oliver-Garcia

(21) Appl. No.: **29/421,207**

(74) *Attorney, Agent, or Firm* — Law Office of Robert M. Patino

(22) Filed: **Jun. 13, 2012**

(57) **CLAIM**

(51) **LOC (9) Cl.** **22-05**

I claim the ornamental design for a threaded fishing lure, as shown and described.

(52) **U.S. Cl.** **D22/127**

(58) **Field of Classification Search** D22/126-133;
43/42.08, 42.36, 42.37, 42.34, 42.29, 42.35,
43/42.45, 42.48, 42.41, 42.31, 42.05, 42.33,
43/42.15

DESCRIPTION

See application file for complete search history.

FIG. 1 is a front and top perspective view of a threaded fishing lure showing my new design;
FIG. 2 is a top plan view thereof;
FIG. 3 is a left side view thereof;
FIG. 4 is a right side view thereof;
FIG. 5 is a bottom plan view thereof;
FIG. 6 is a front view thereof; and,
FIG. 7 is a rear view thereof.

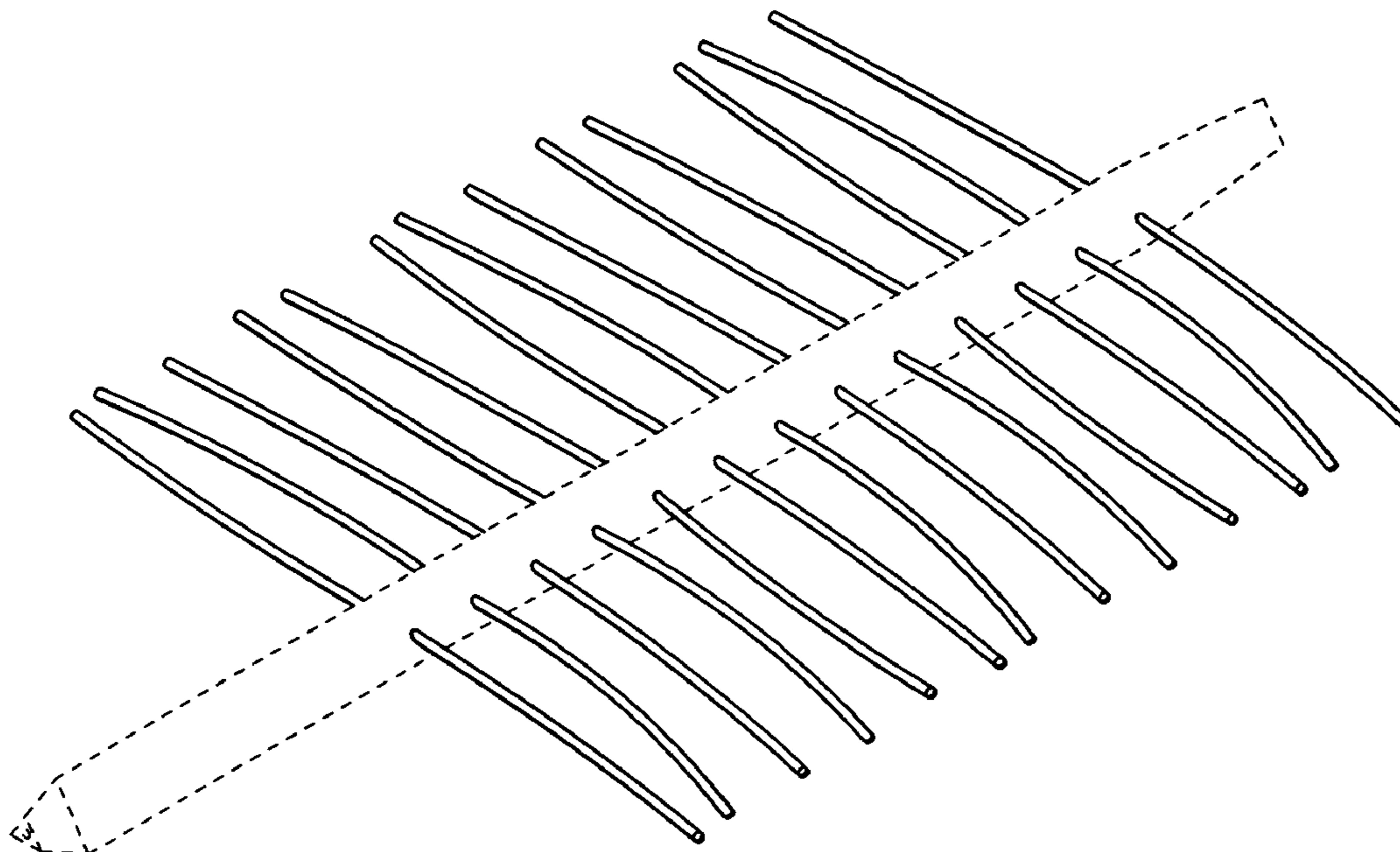
The broken lines showing the body of a lure is for illustrative purposes only and form no part of the claimed design.

(56) **References Cited**

U.S. PATENT DOCUMENTS

2,865,130	A	*	12/1958	Accetta	43/42.15
D229,933	S	*	1/1974	Fitzpatrick	D22/127
4,823,502	A	*	4/1989	Tucker	43/42.37
D354,329	S	*	1/1995	Long	D22/132
D368,512	S	*	4/1996	Coggins et al.	D22/128

1 Claim, 2 Drawing Sheets



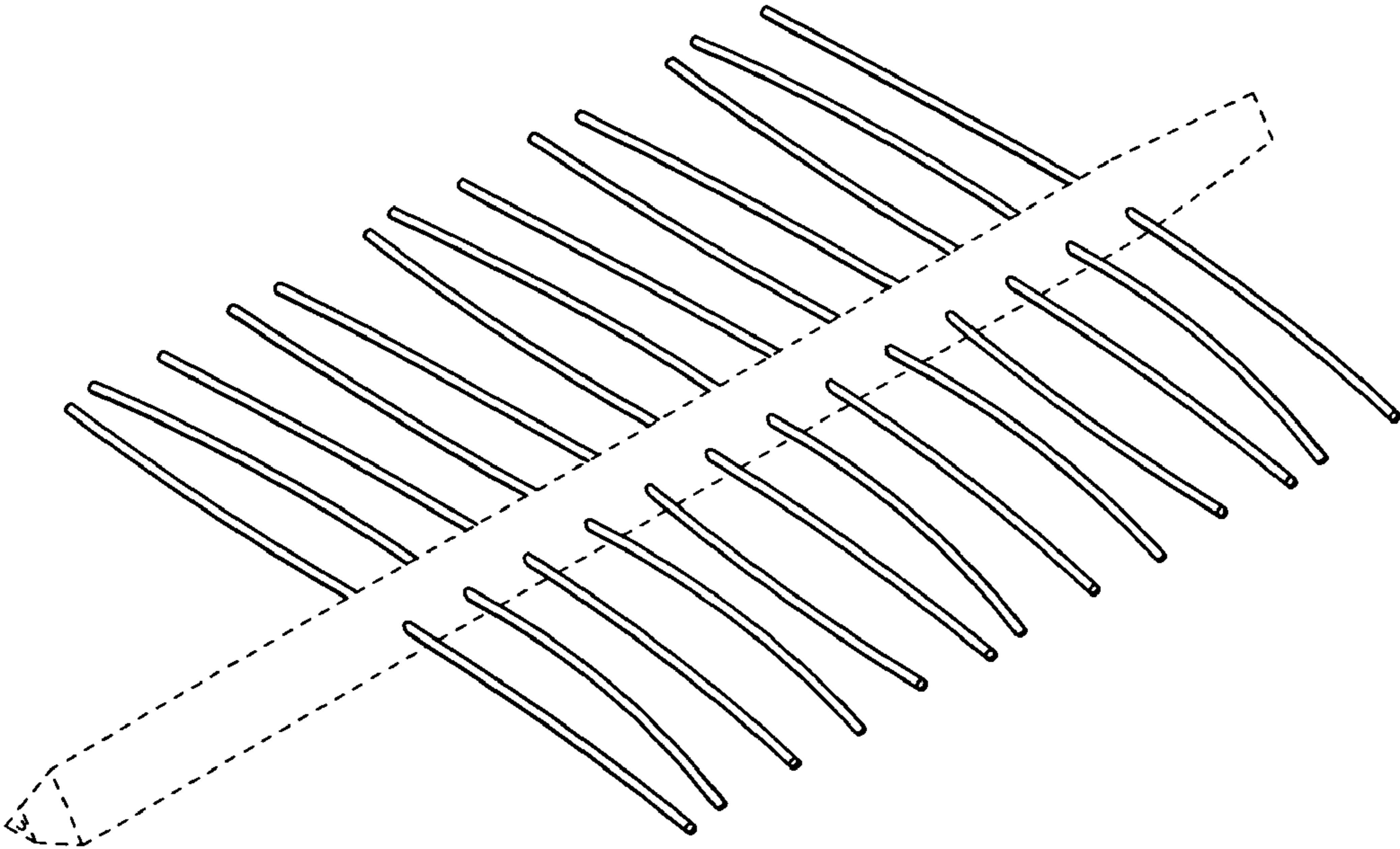


FIG. 1

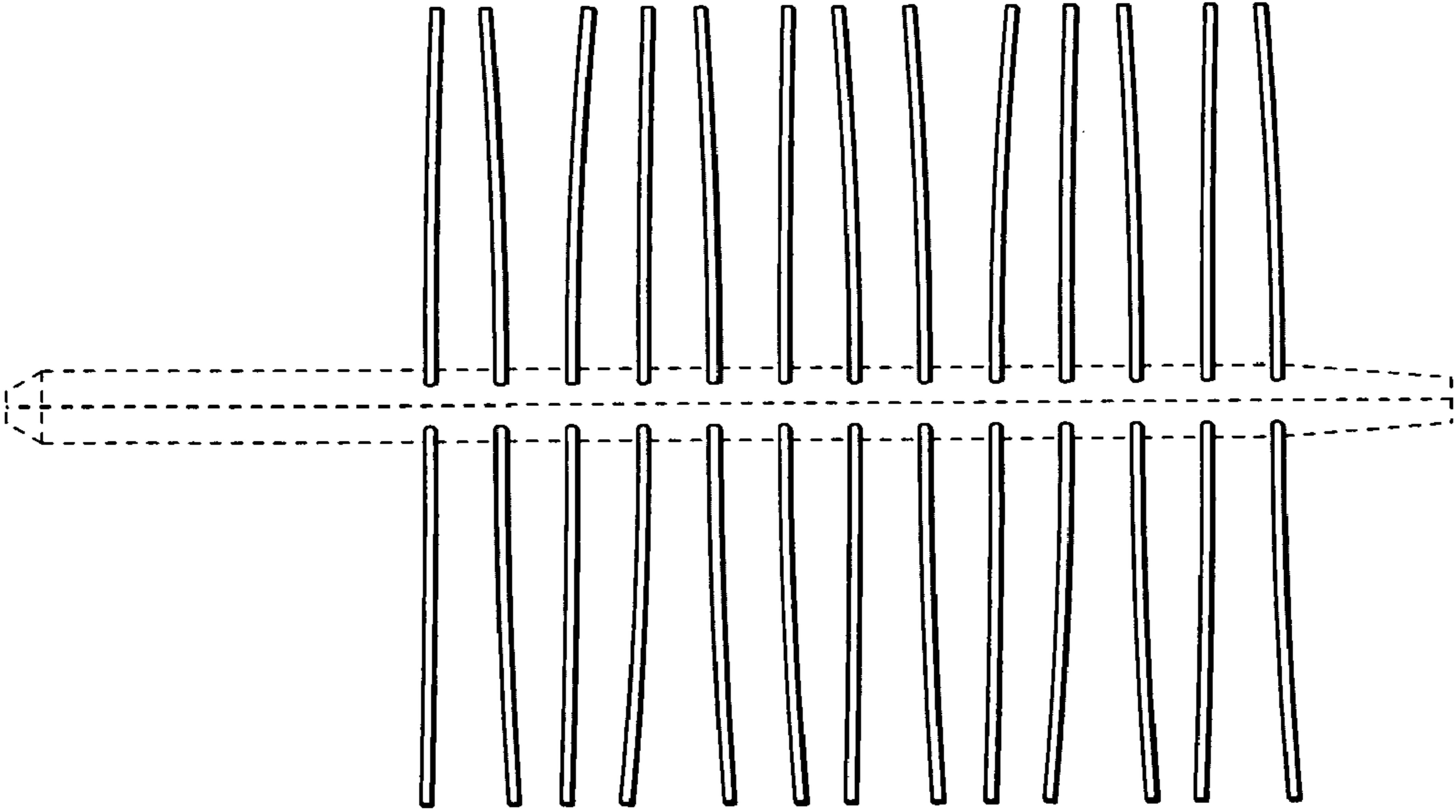


FIG. 2

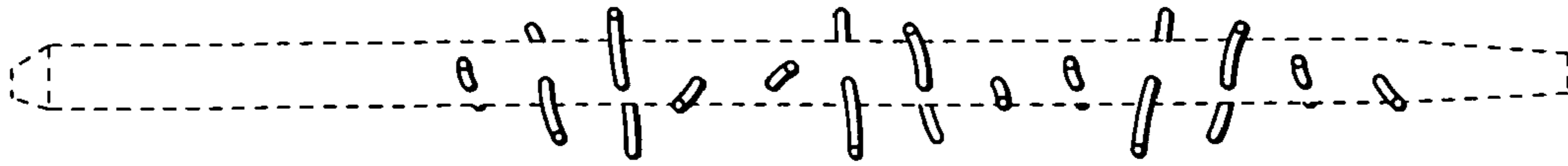


FIG. 3

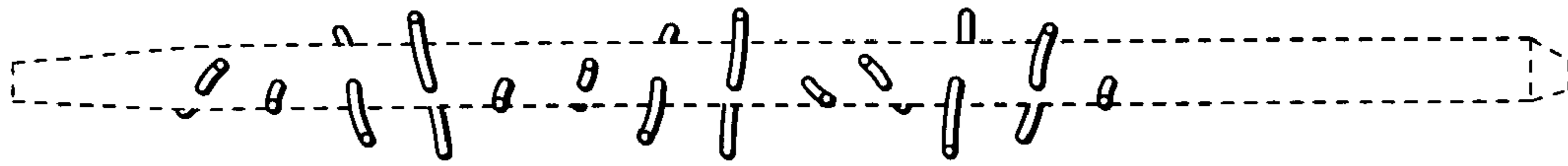


FIG. 4

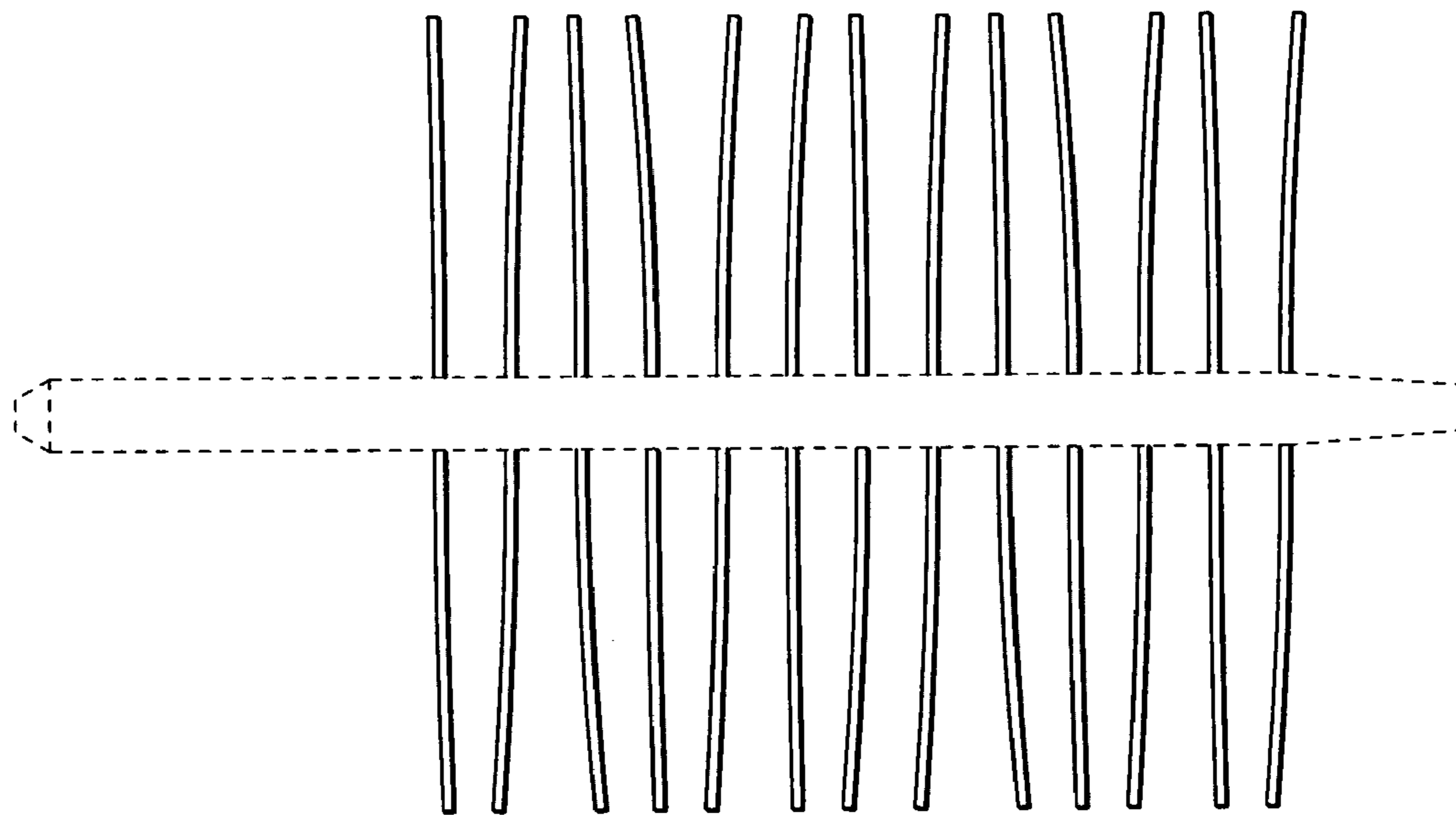


FIG. 5



FIG. 6



FIG. 7