



US00D672426S

(12) **United States Design Patent**  
**Davis, Jr.**

(10) **Patent No.:** **US D672,426 S**  
(45) **Date of Patent:** **\*\* Dec. 11, 2012**

(54) **INSECT TRAP**

(76) **Inventor:** **Clifford Warren Davis, Jr.**, Prattville,  
AL (US)

(\*\*) **Term:** **14 Years**

(21) **Appl. No.:** **29/419,910**

(22) **Filed:** **May 2, 2012**

(51) **LOC (9) Cl.** ..... **22-06**

(52) **U.S. Cl.** ..... **D22/122**

(58) **Field of Classification Search** ..... D22/119–124;  
43/112–113, 124, 131, 132.1; D30/110  
See application file for complete search history.

(56) **References Cited**

**U.S. PATENT DOCUMENTS**

D370,746 S *	6/1996	Gordon	.....	D30/110
D478,958 S *	8/2003	Harris et al.	.....	D22/122
7,082,712 B2 *	8/2006	Harris et al.	.....	43/122
D532,479 S *	11/2006	Child	.....	D22/122
D536,413 S *	2/2007	Duston	.....	D22/122
D634,808 S *	3/2011	Tsai	.....	D22/122
2010/0269402 A1	10/2010	Blazer et al.		

\* cited by examiner

*Primary Examiner* — Catheri Oliver-Garcia

(74) *Attorney, Agent, or Firm* — Jeremy A. Smith; Joel Kuehnert; Bradely Arant Boulton Cummings LLP

(57) **CLAIM**

The ornamental design for an insect trap, as shown and described.

**DESCRIPTION**

FIG. 1 shows a top perspective view of one embodiment of the trap.

FIG. 2 shows a side view of the embodiment of the trap shown in FIG. 1.

FIG. 3 shows an alternate side view of the embodiment of the trap shown in FIG. 1.

FIG. 4 shows a top view of the embodiment of the trap shown in FIG. 1.

FIG. 5 shows a bottom view of the embodiment of the trap shown in FIG. 1.

FIG. 6 shows a top perspective view of an alternate embodiment of the trap.

FIG. 7 shows a side view of the embodiment of the trap shown in FIG. 6.

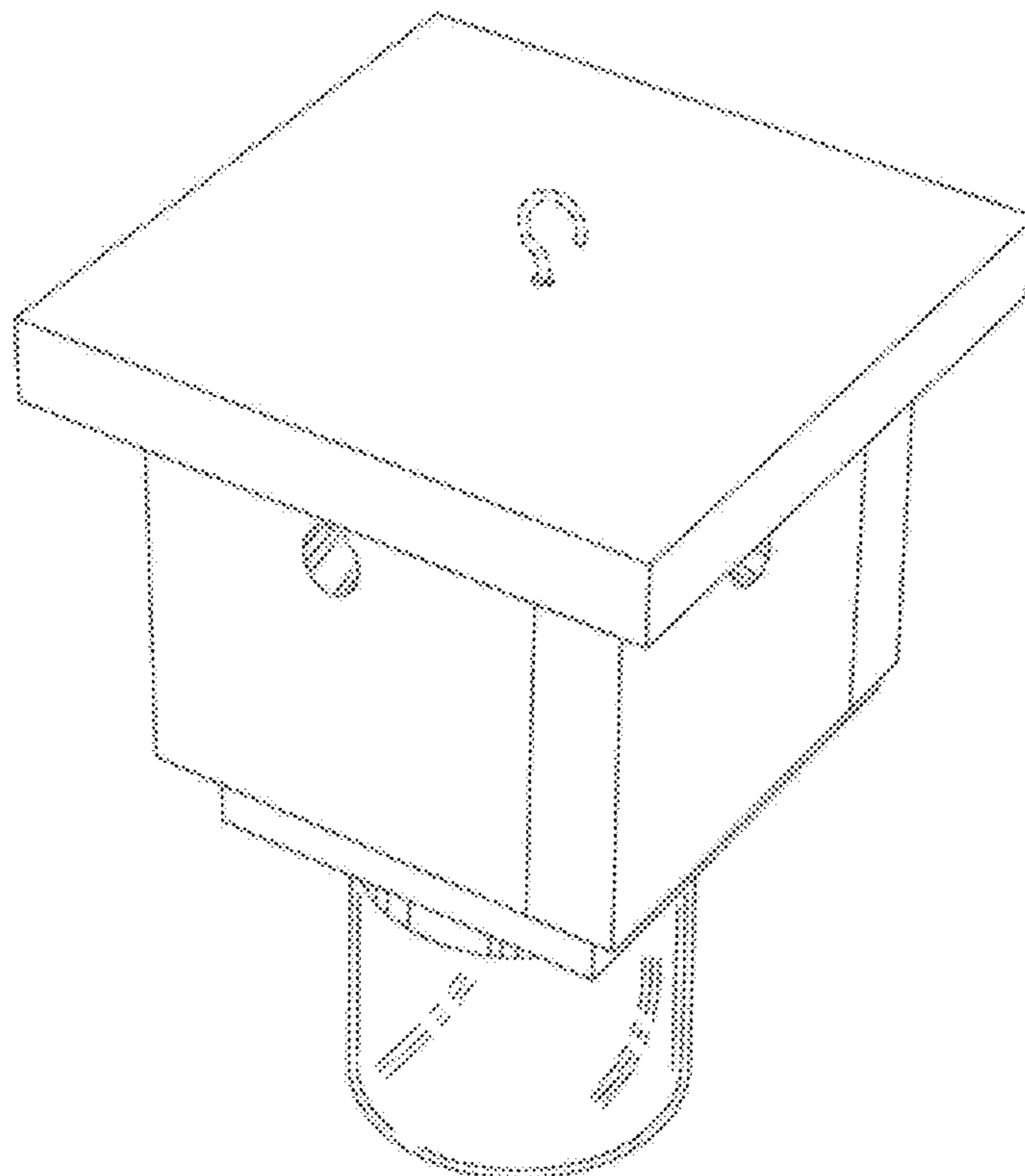
FIG. 8 shows an alternate side view of the embodiment of the trap shown in FIG. 6.

FIG. 9 shows a top view of the embodiment of the trap shown in FIG. 6; and,

FIG. 10 shows a bottom view of the embodiment of the trap shown in FIG. 6.

The dashed lines shown in the drawings illustrate environmental structure and form no part of the claimed design.

**1 Claim, 6 Drawing Sheets**



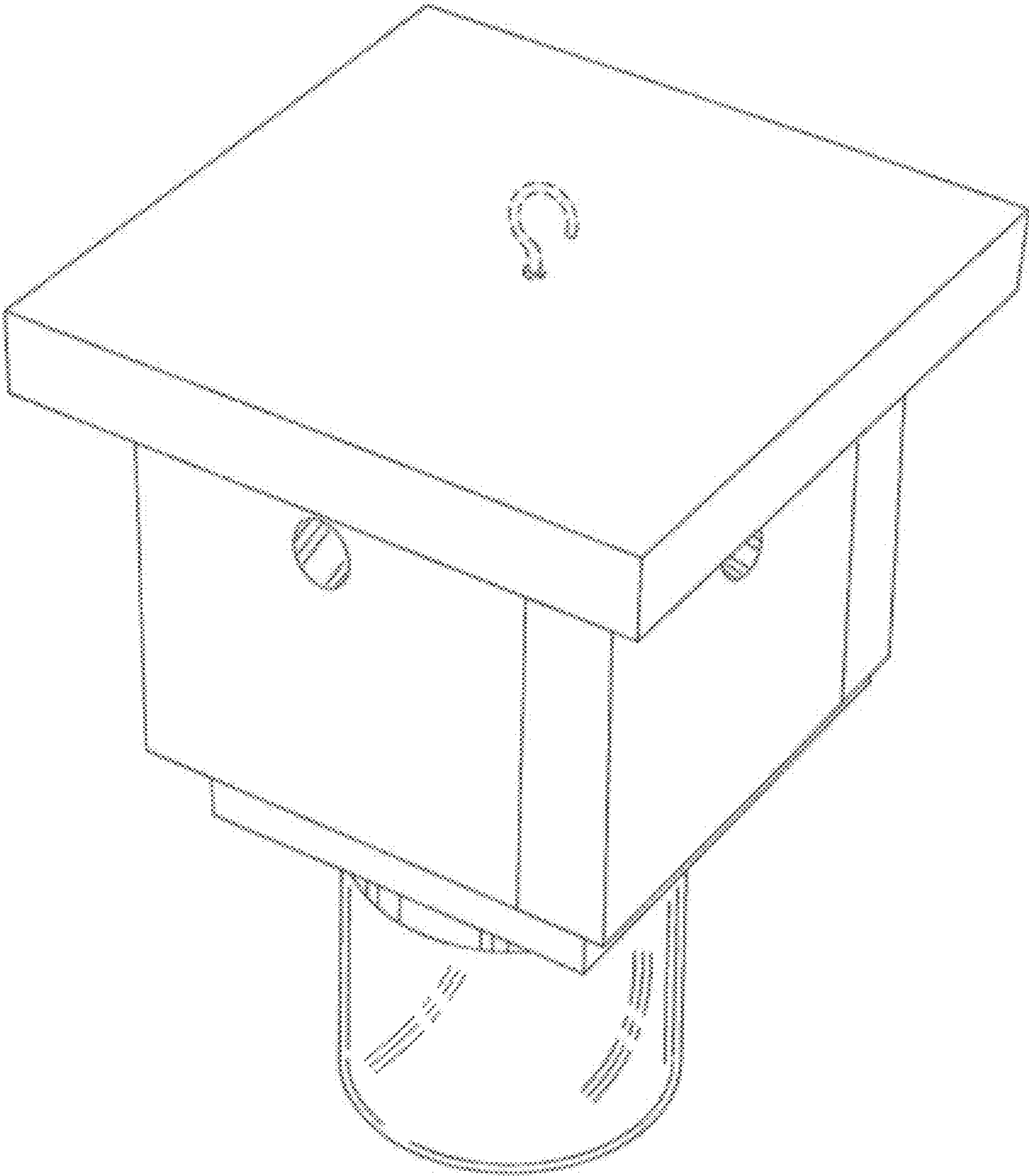


FIG. 1

FIG. 2

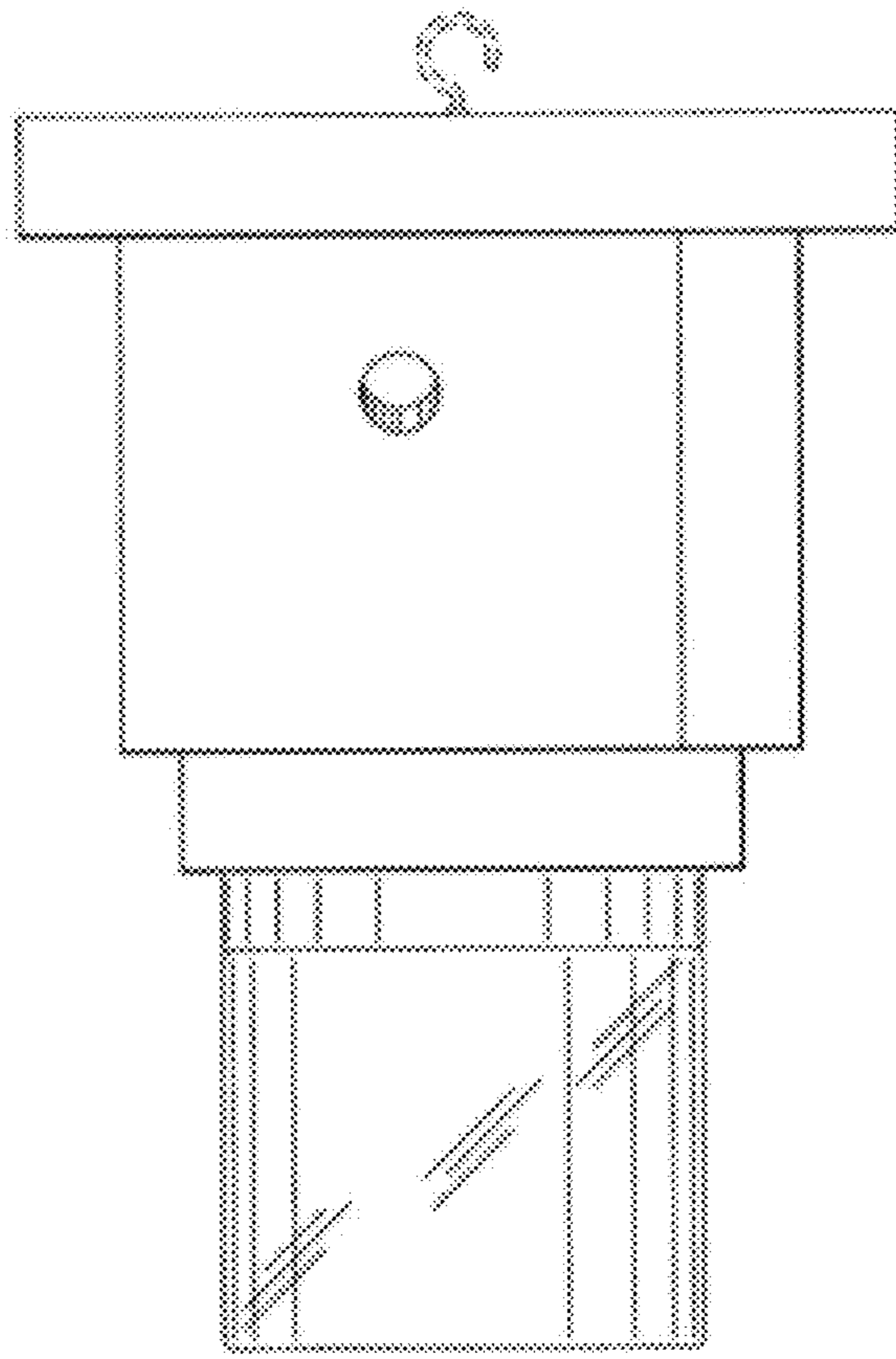


FIG. 3

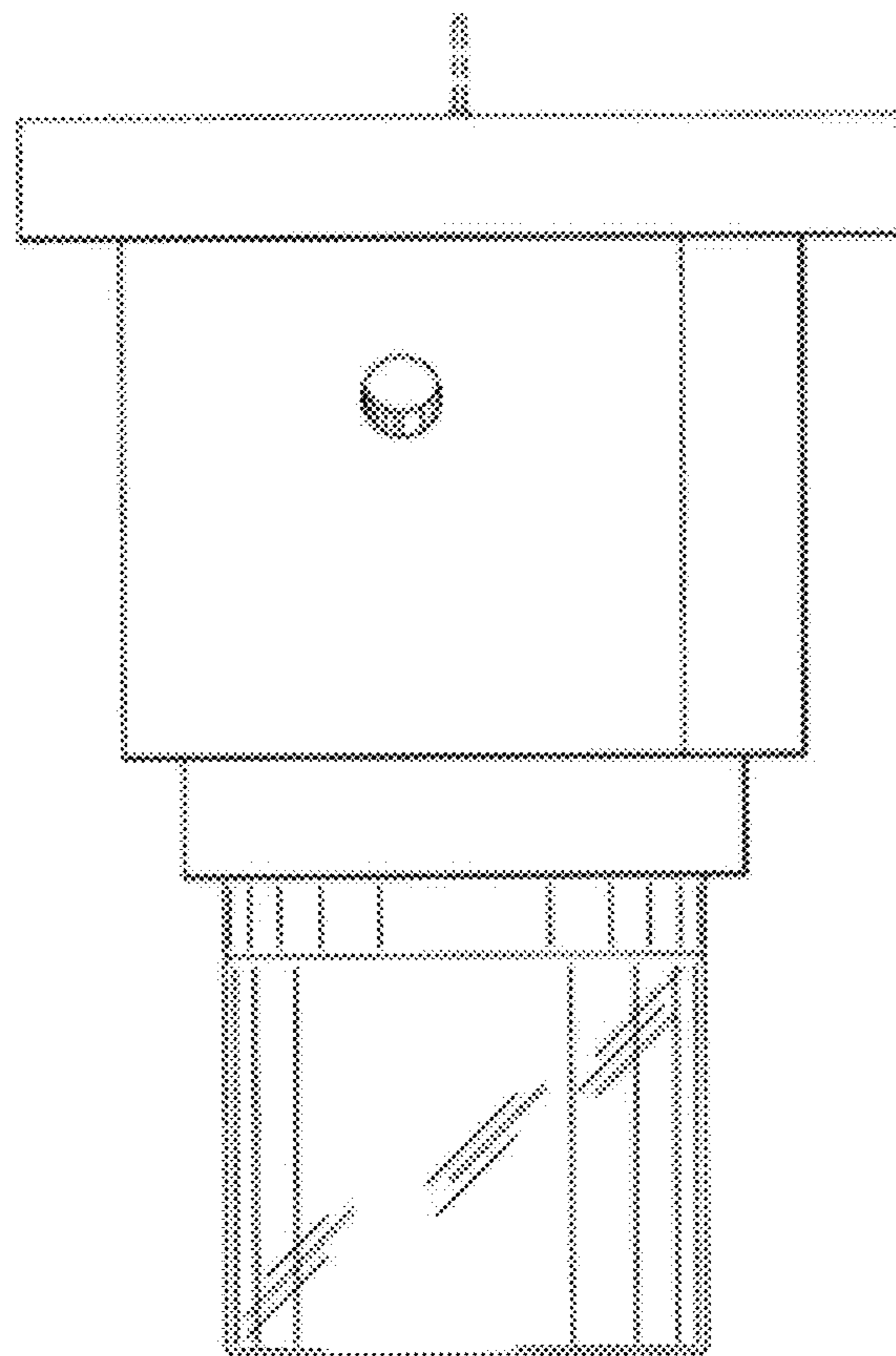


FIG. 4

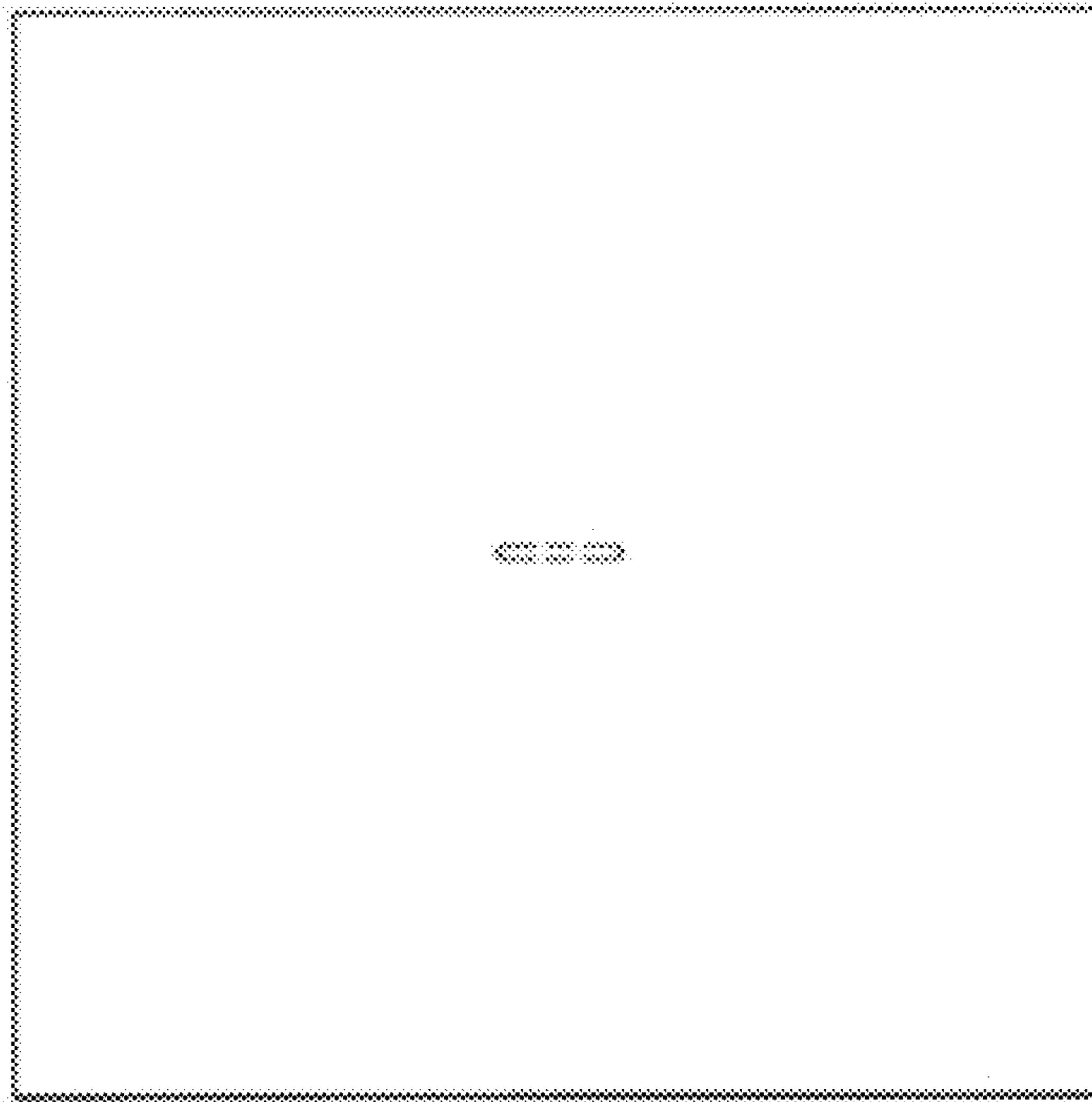
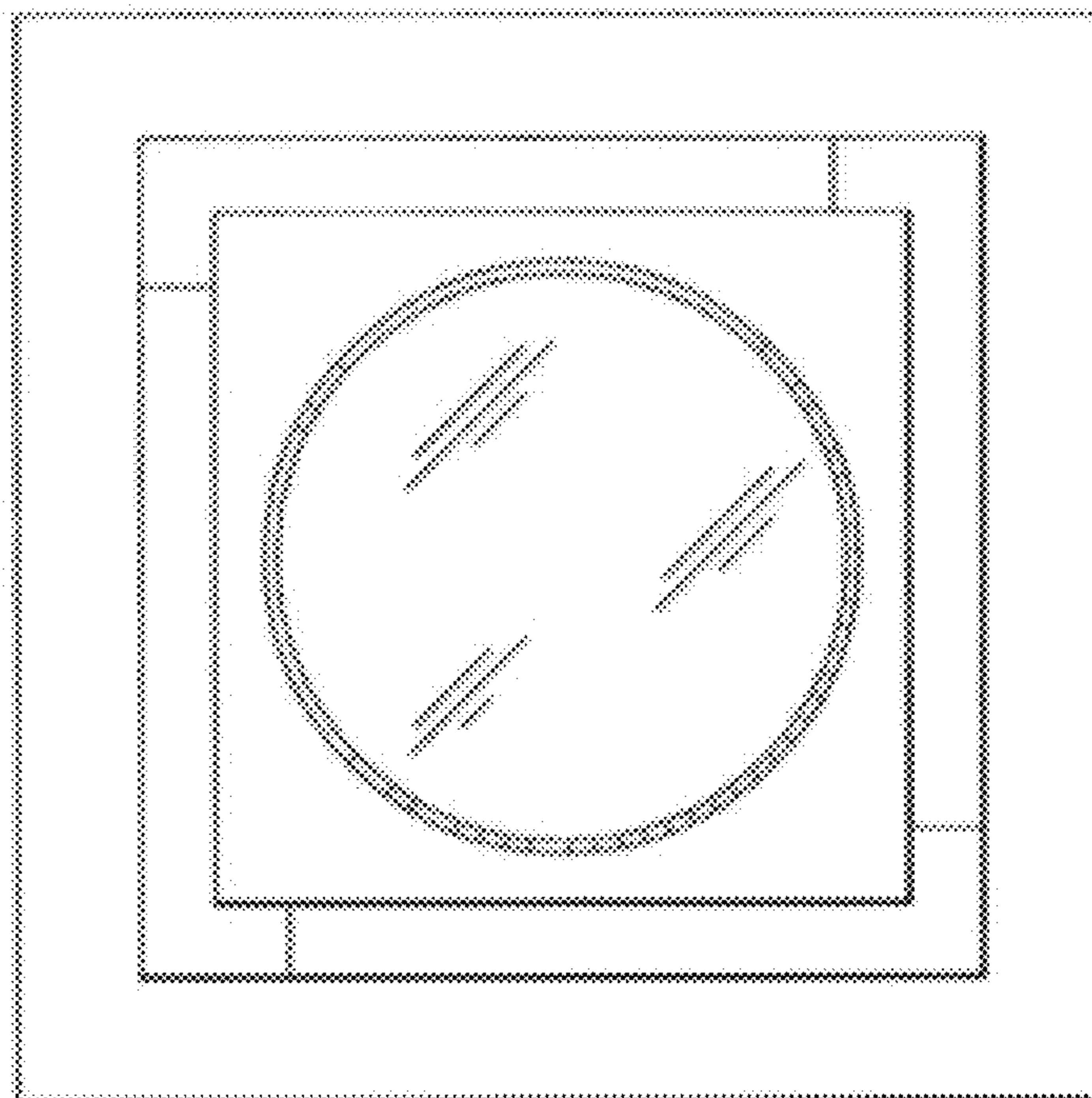


FIG. 5



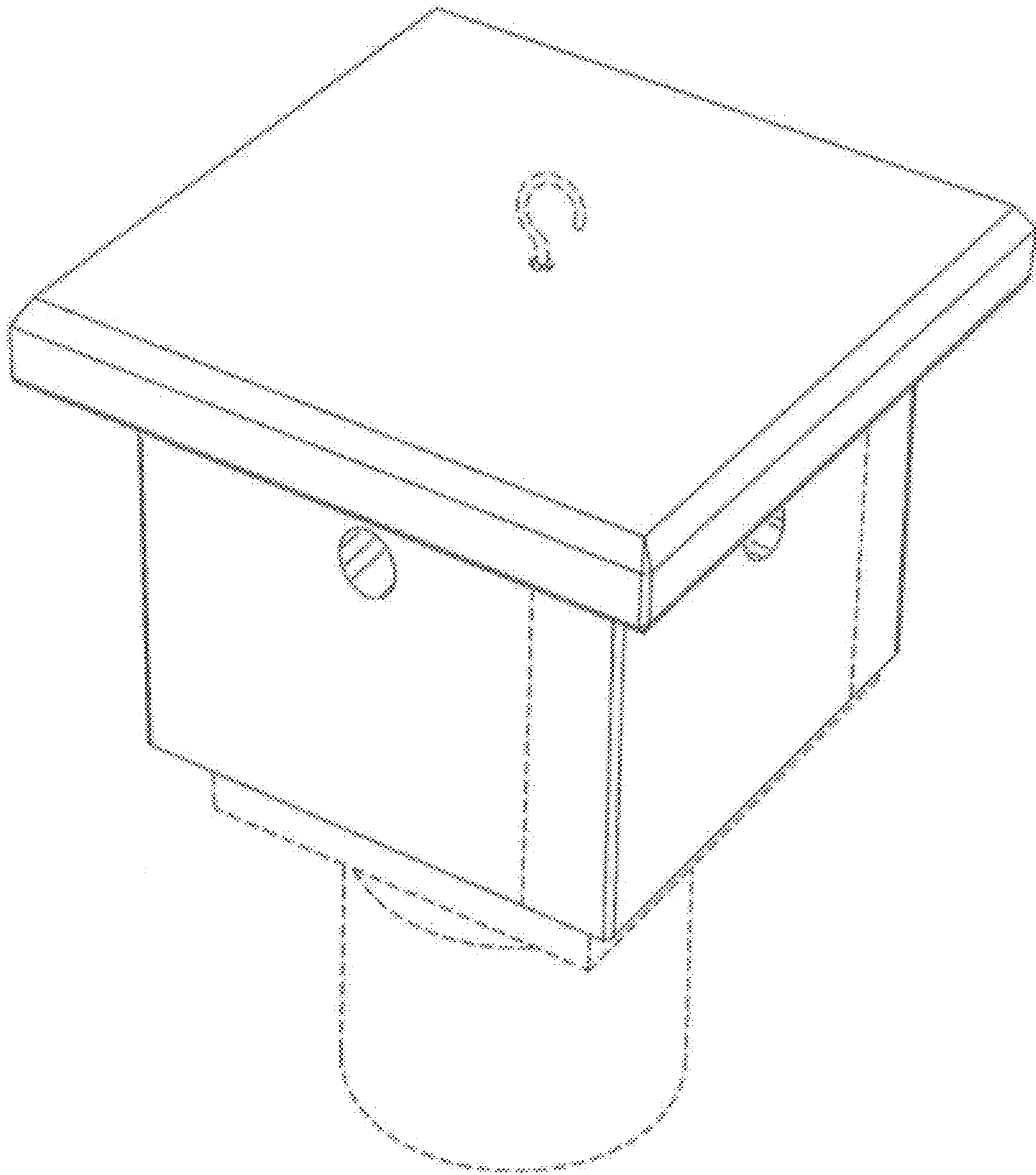


FIG. 6

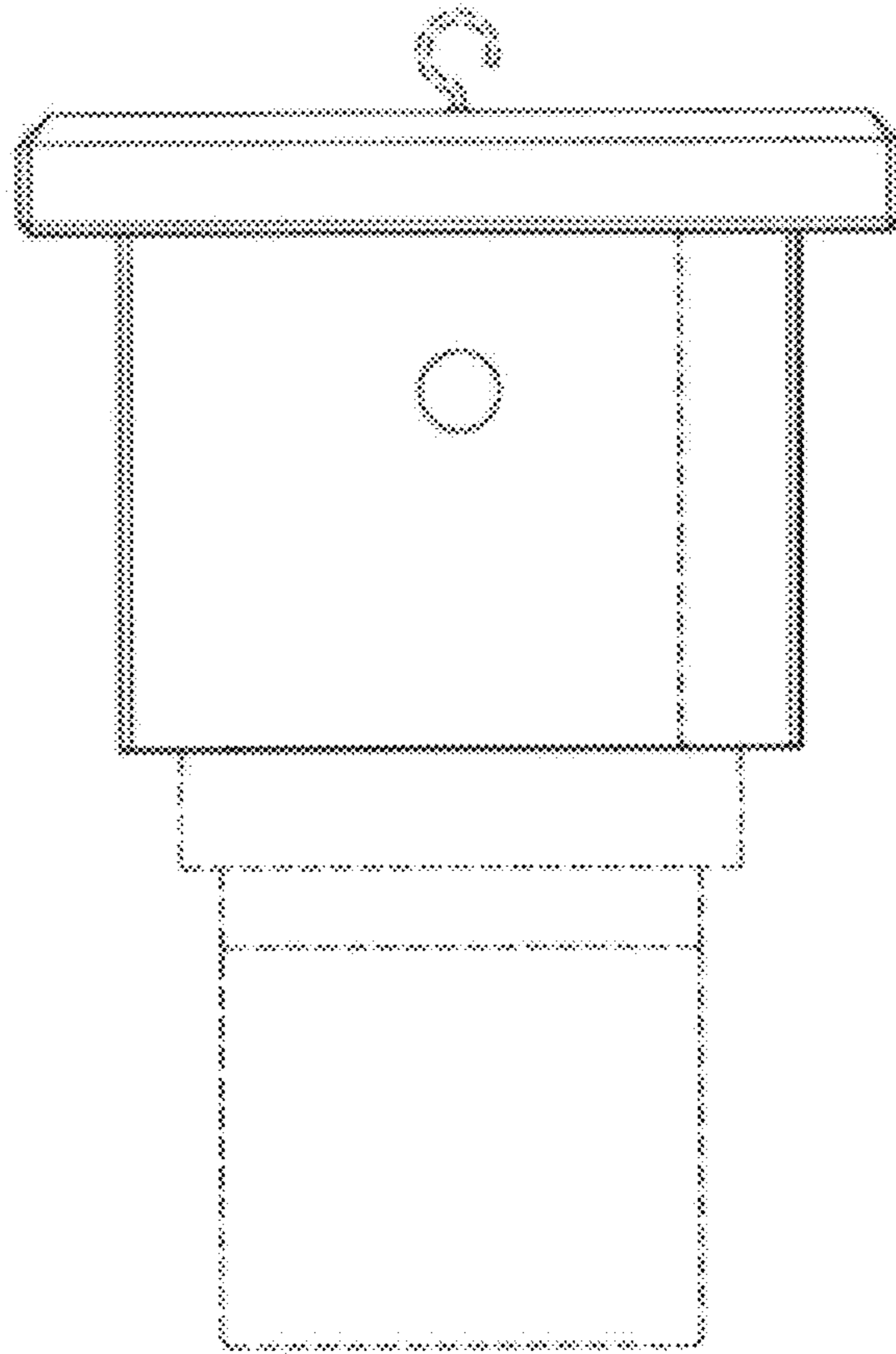


FIG. 7

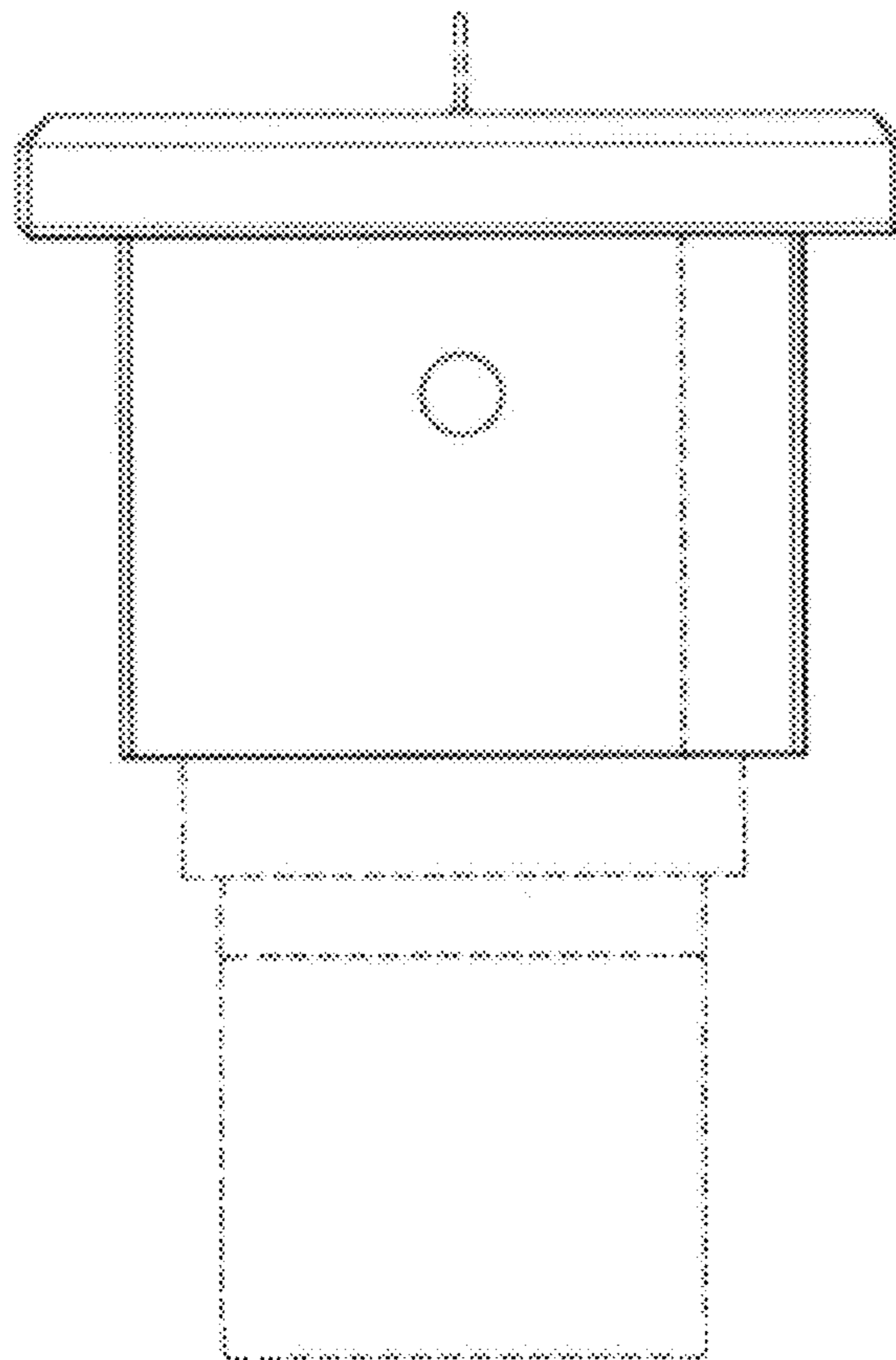


FIG. 8

FIG. 9

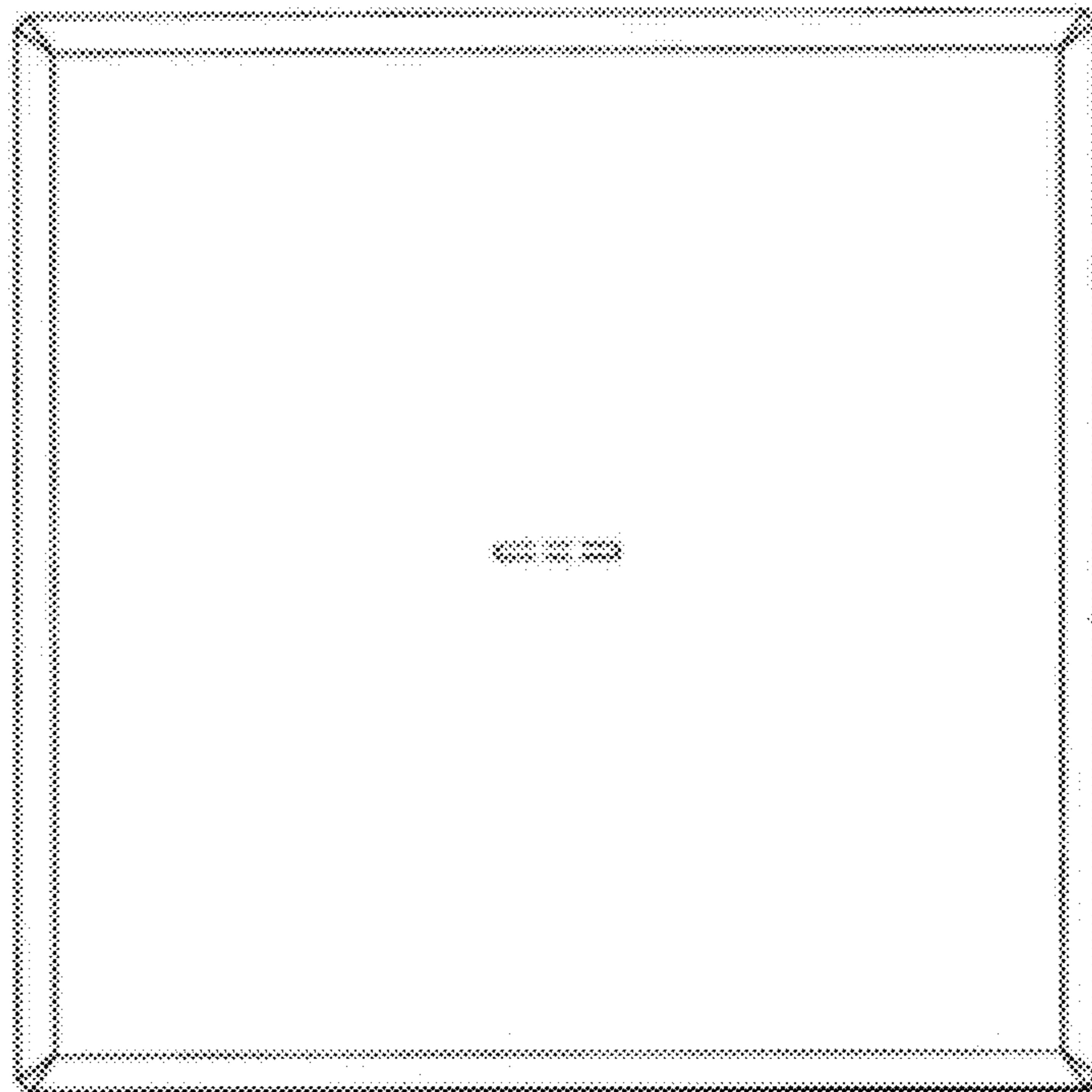


FIG. 10

