



US00D672425S

(12) **United States Design Patent**  
**Mayers et al.**

(10) **Patent No.:** **US D672,425 S**

(45) **Date of Patent:** **\*\* Dec. 11, 2012**

(54) **BIRD DETERRENT**

(76) Inventors: **Thomas W. Mayers**, Longboat Key, FL (US); **William E. Mouzavires**, Oakton, VA (US)

(\*\*) Term: **14 Years**

(21) Appl. No.: **29/421,033**

(22) Filed: **May 9, 2012**

(51) **LOC (9) Cl.** ..... **22-06**

(52) **U.S. Cl.** ..... **D22/120**

(58) **Field of Classification Search** ..... D22/119-124;  
52/101, 107; 119/57.9, 713, 903; 43/1, 58,  
43/108, 119, 132.1

See application file for complete search history.

(56) **References Cited**

**U.S. PATENT DOCUMENTS**

2,142,371	A *	1/1939	Peles	.....	52/101
D133,037	S *	7/1942	Kraus	.....	D22/120
5,433,029	A *	7/1995	Donoho et al.	.....	43/1
5,606,830	A *	3/1997	Townsend et al.	.....	52/101
D404,107	S *	1/1999	Dimston	.....	D22/120
D534,236	S *	12/2006	Zecher	.....	D22/120
D625,381	S *	10/2010	Asaoka	.....	D22/120
8,250,814	B2 *	8/2012	Donoho	.....	52/101

\* cited by examiner

*Primary Examiner* — Catheri Oliver-Garcia

(74) *Attorney, Agent, or Firm* — William E. Mouzavires

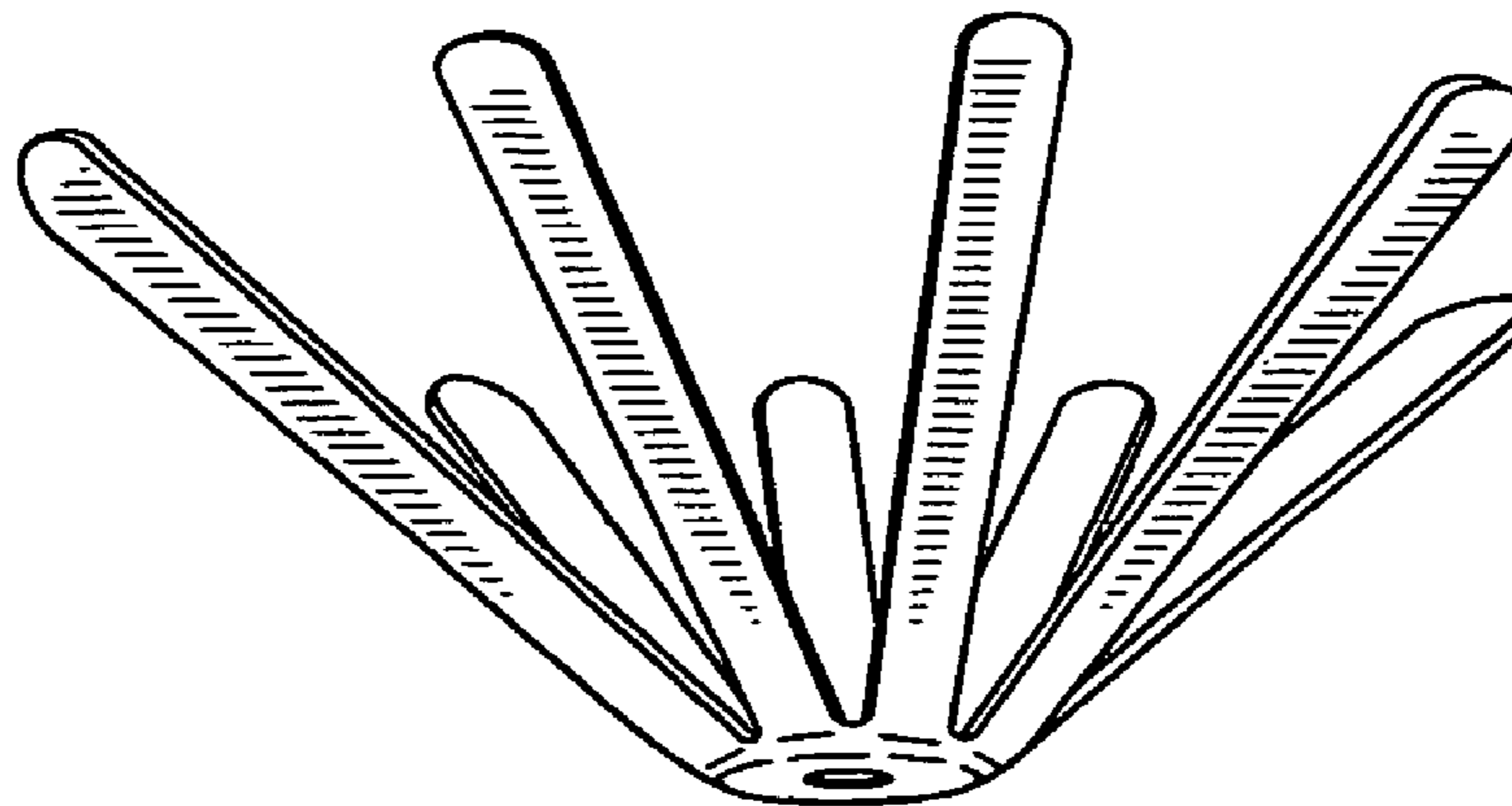
(57) **CLAIM**

The ornamental design for a bird deterrent, as shown and described.

**DESCRIPTION**

FIG. 1 is top perspective view of a bird deterrent showing our new design;  
 FIG. 2 is a bottom plan view thereof;  
 FIG. 3 is a side elevation view, with the opposite side being a mirror image thereof;  
 FIG. 4 is a perspective view of a second embodiment of a bird deterrent showing our new design;  
 FIG. 5 is a top plan view thereof;  
 FIG. 6 is a side elevation view, with the opposite side being a mirror image thereof;  
 FIG. 7 is a bottom plan view thereof;  
 FIG. 8 is a third embodiment of a bird deterrent showing our new design;  
 FIG. 9 is a top plan view thereof;  
 FIG. 10 is a side elevation view, with the opposite side being a mirror image thereof; and,  
 FIG. 11 is a bottom plan view.

**1 Claim, 3 Drawing Sheets**



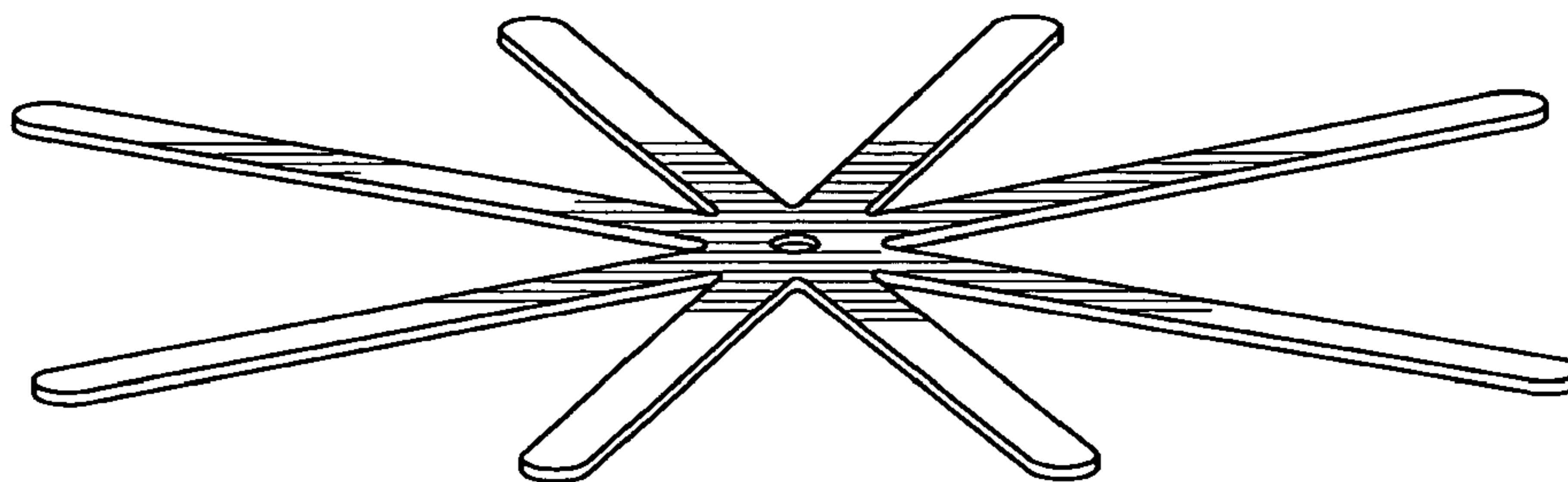


FIG. 1

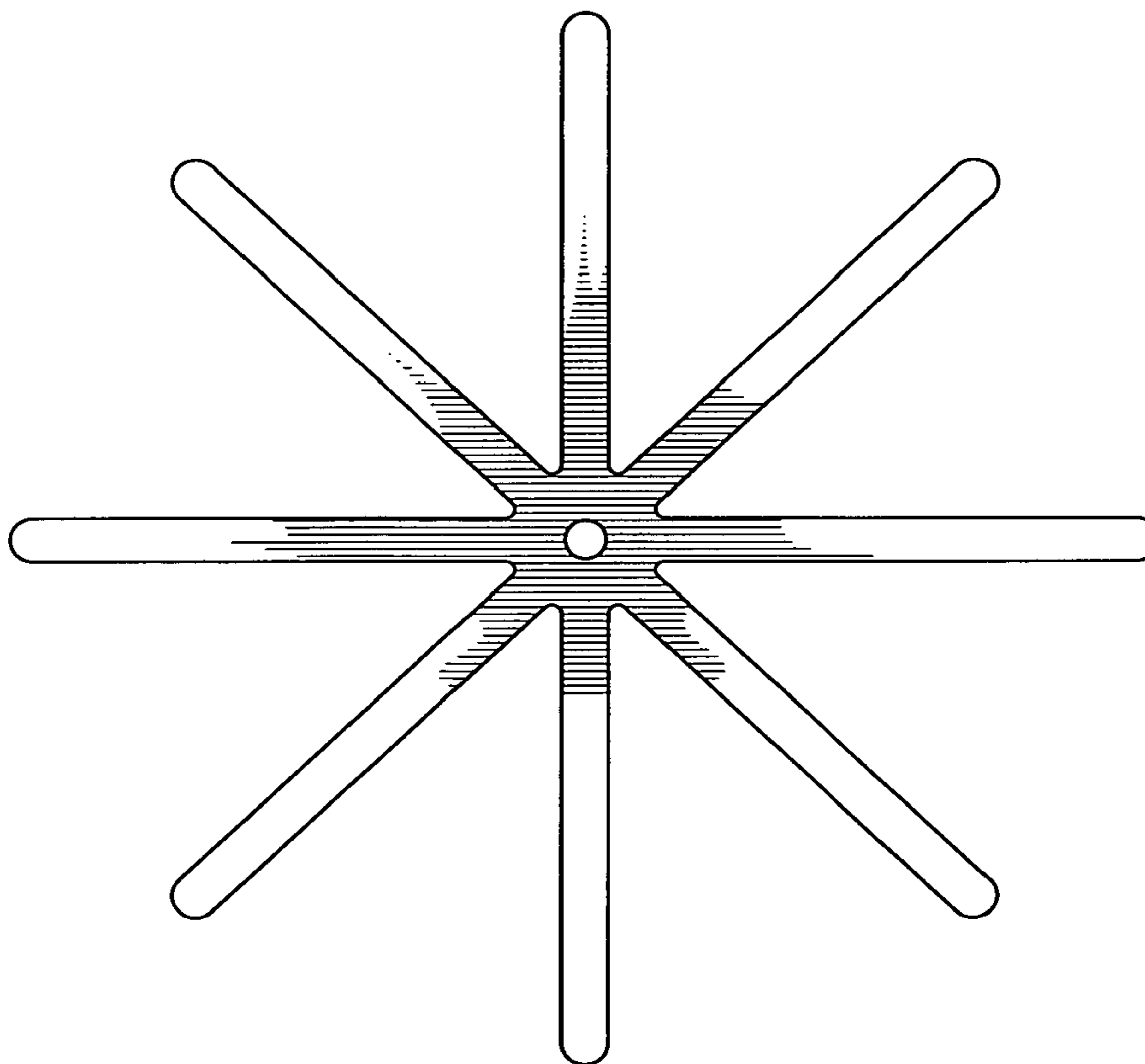


FIG. 2



FIG. 3

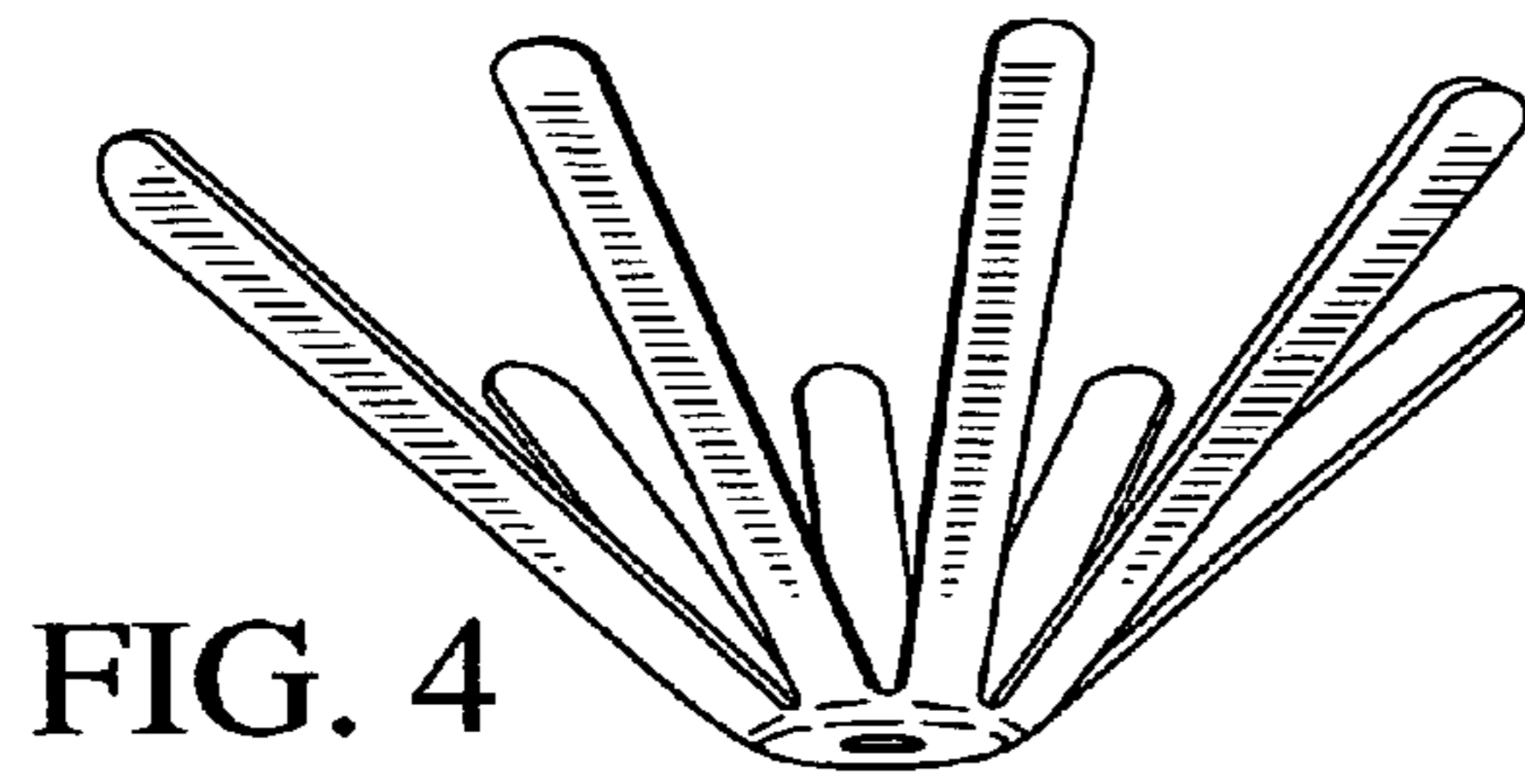


FIG. 4

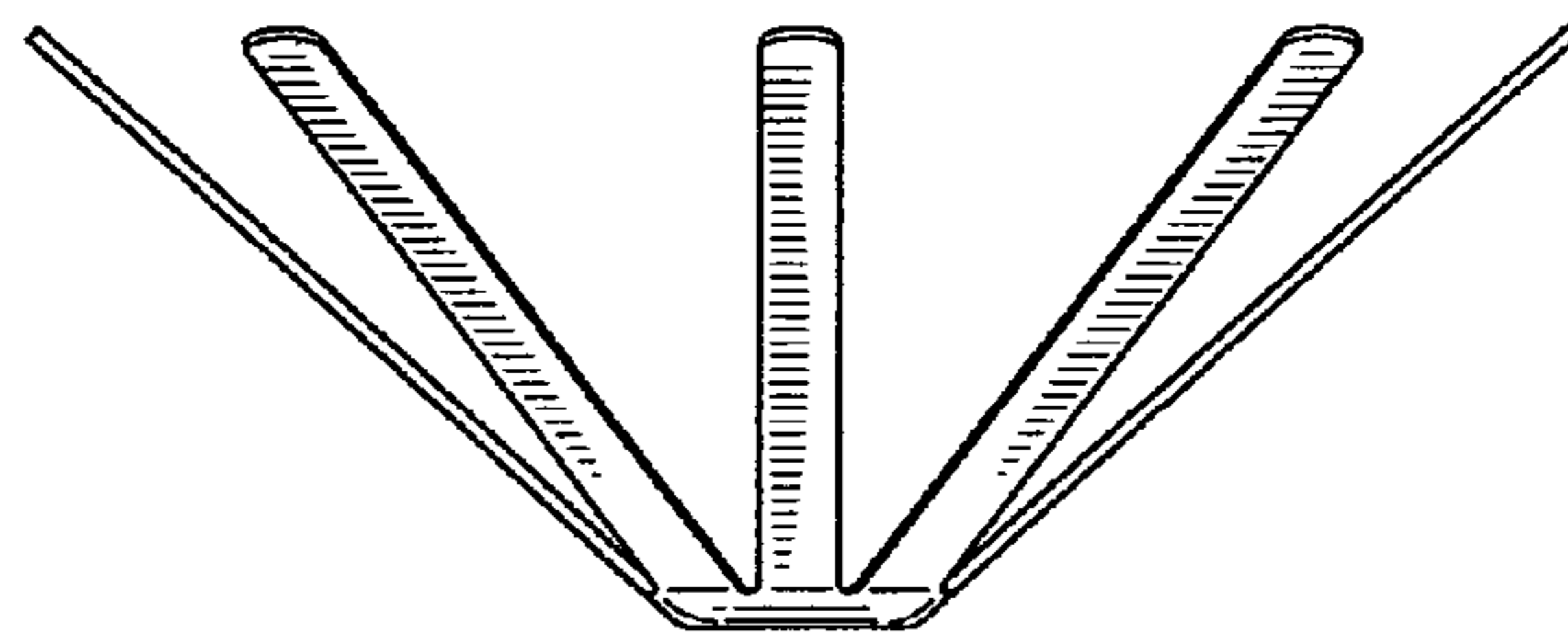


FIG. 6

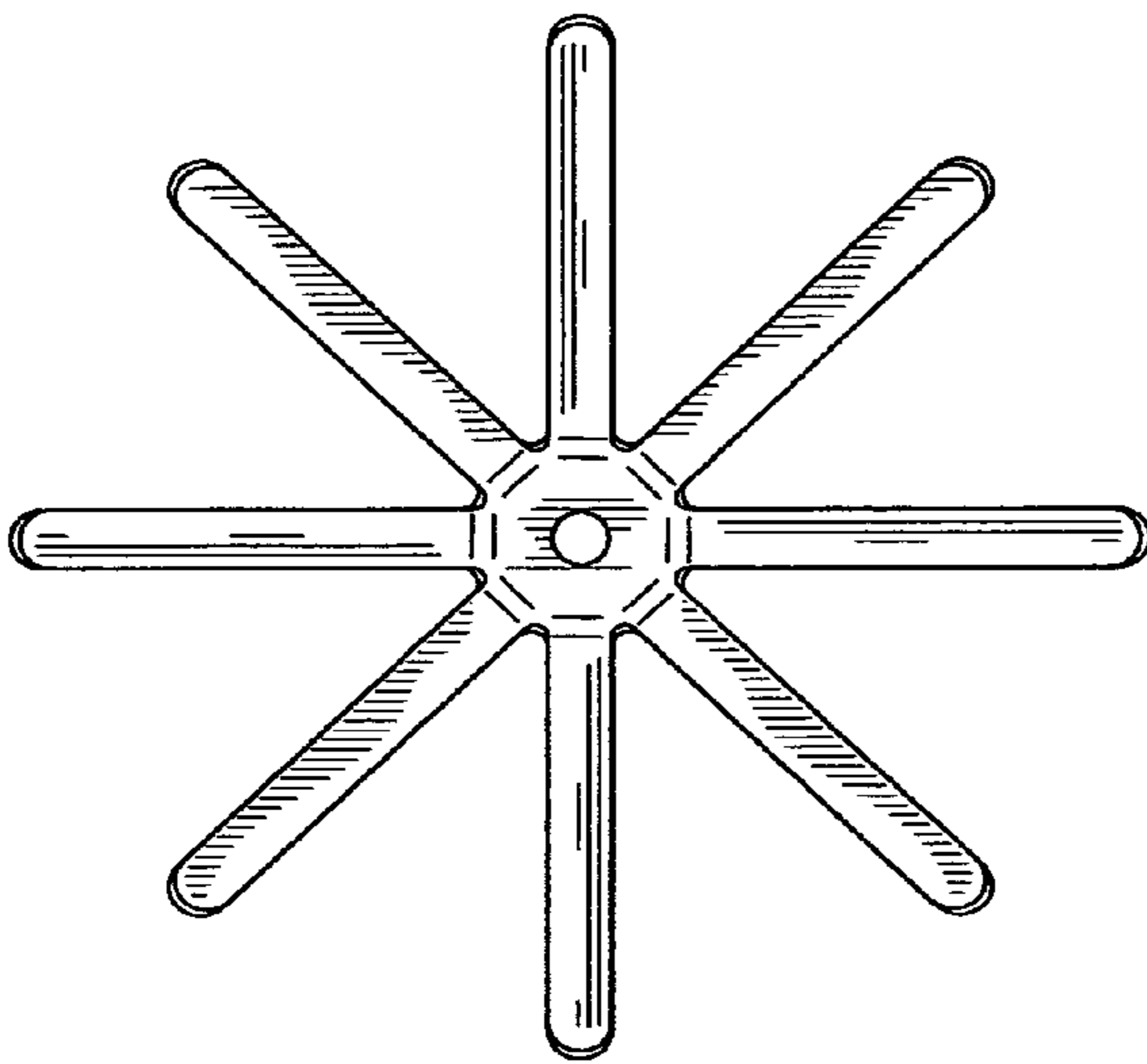


FIG. 5

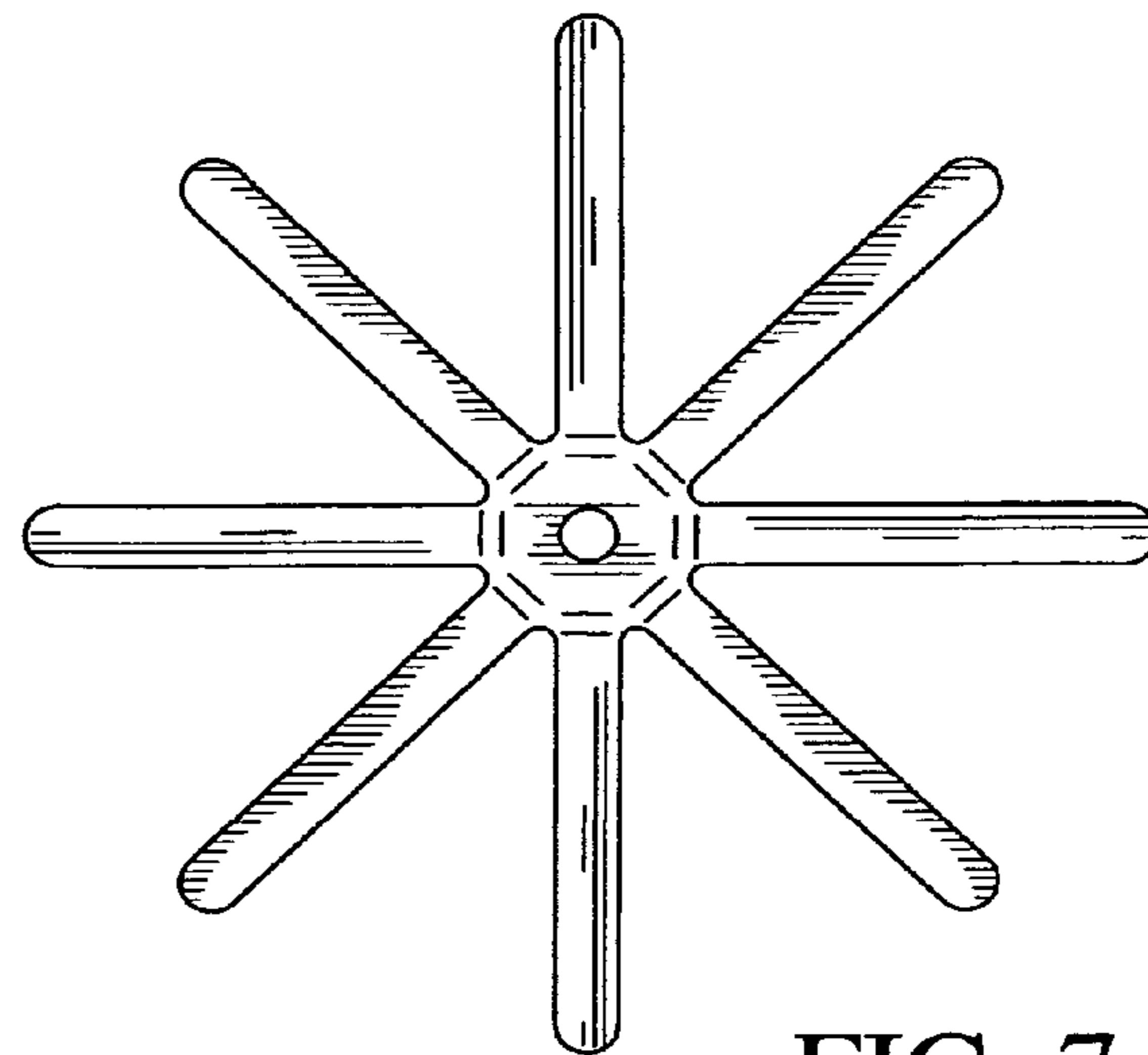


FIG. 7

