



US00D672423S

(12) **United States Design Patent**
Buie, II

(10) **Patent No.:** **US D672,423 S**
(45) **Date of Patent:** **** Dec. 11, 2012**

(54) **HANDLE FOR FIREARM MAINTENANCE**
(75) Inventor: **James H. Buie, II**, Little Rock, AR (US)
(73) Assignee: **Dac Technologies Group International, Inc.**, Little Rock, AR (US)
(**) Term: **14 Years**
(21) Appl. No.: **29/374,662**
(22) Filed: **Sep. 19, 2011**
(51) **LOC (9) Cl.** **22-01**
(52) **U.S. Cl.** **D22/108; D22/199**
(58) **Field of Classification Search** **D22/108, D22/199; D8/82-87, 107; 81/3.05, 177.1, 81/433, 436-439, 489; D16/430; 135/139; 16/110.1**

4,901,465 A 2/1990 Hsu
4,930,240 A 6/1990 Bice
D310,302 S 9/1990 Southard
D313,886 S 1/1991 Southard
5,011,174 A * 4/1991 Ross-Clunis 280/287
D318,156 S 7/1991 Banovich
5,052,555 A 10/1991 Harmon
5,075,998 A 12/1991 Selleck
5,202,523 A 4/1993 Grossman
5,220,933 A 6/1993 Albers
5,233,124 A 8/1993 Peterson
D339,470 S 9/1993 Marks
5,317,827 A 6/1994 Jaremco
5,337,505 A 8/1994 Brown
5,379,542 A 1/1995 Guzman
D357,584 S 4/1995 Swingler
5,427,239 A 6/1995 Hunt
D364,714 S 11/1995 Jeffery
D371,413 S 7/1996 Crausby

(Continued)

See application file for complete search history.

(56) **References Cited**

U.S. PATENT DOCUMENTS

816,959 A 4/1906 Briganti
1,495,008 A 5/1924 Feagin
1,769,967 A * 7/1930 Saurman et al. 174/22 R
2,058,756 A * 10/1936 Ayer 242/564
2,744,275 A 5/1956 Geltner
2,744,635 A 5/1956 Hiss
D192,047 S 1/1962 Farmer
3,064,294 A 11/1962 Stocking
3,076,904 A * 2/1963 Kuris et al. 310/26
D223,874 S 6/1972 Ellis
3,813,802 A 6/1974 Di Prospero
3,894,766 A * 7/1975 Woodward 296/104
4,239,318 A * 12/1980 Schwartz 439/607.18
D268,987 S 5/1983 Smith
4,399,627 A 8/1983 Malesky
4,499,625 A 2/1985 Bottomley
4,521,356 A * 6/1985 Keller et al. 264/600
4,716,673 A 1/1988 Williams
4,807,381 A 2/1989 Southard
4,873,777 A 10/1989 Southard
4,899,415 A 2/1990 Wheeler
4,901,464 A 2/1990 Banoun

FOREIGN PATENT DOCUMENTS

GB 2185209 A * 7/1987

Primary Examiner — Michael A Pratt

(74) *Attorney, Agent, or Firm* — Stephen D. Carver

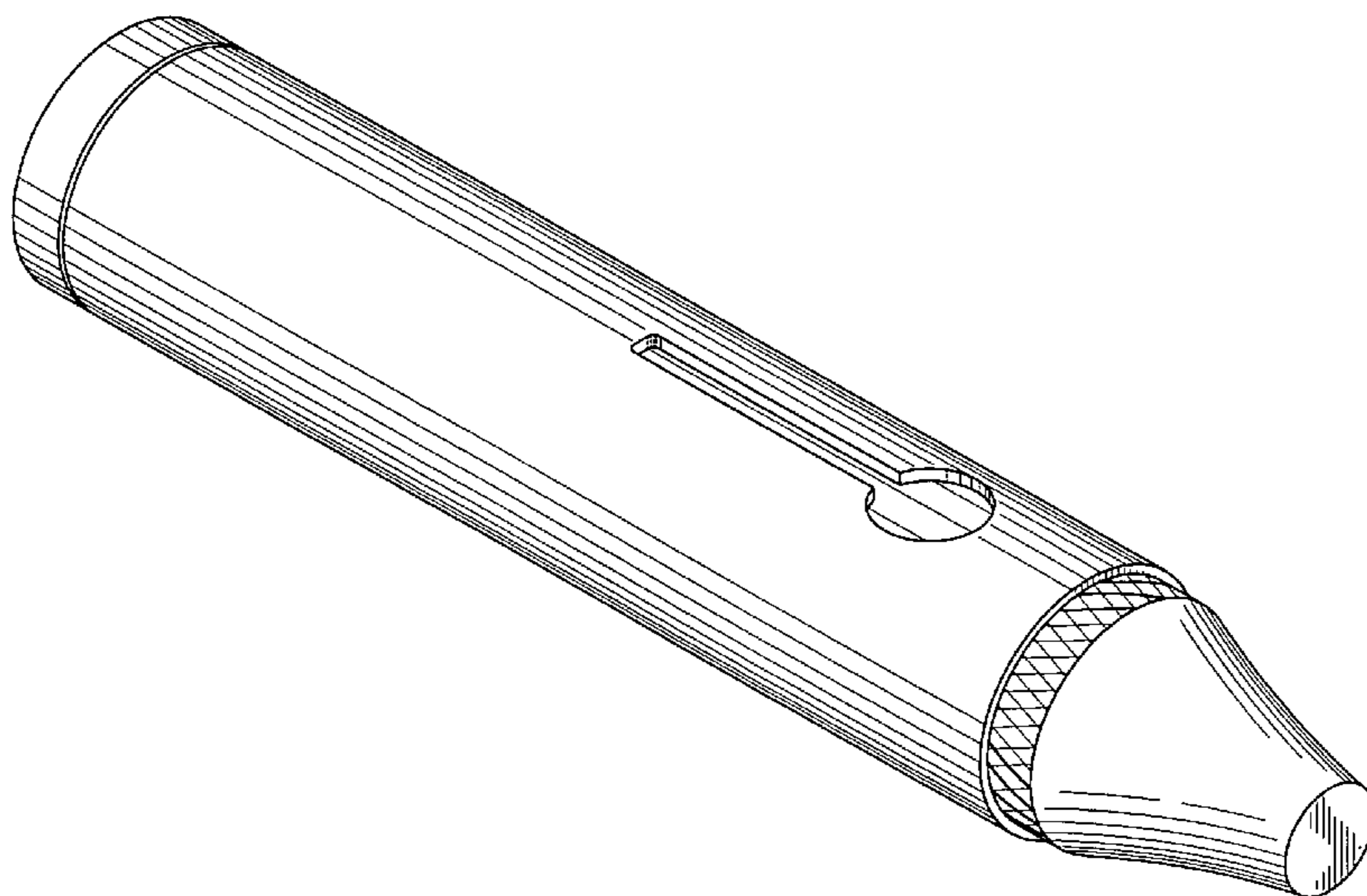
(57) **CLAIM**

The ornamental design for a handle for firearm maintenance, as shown.

DESCRIPTION

FIG. 1 is a top, frontal isometric view of the preferred embodiment of my new handle for firearm maintenance;
FIG. 2 is a bottom isometric view of the preferred embodiment;
FIG. 3 is a right side elevational view thereof;
FIG. 4 is a left side elevational view thereof;
FIG. 5 is a rear plan view thereof;
FIG. 6 is a front plan view thereof.
FIG. 7 is a top plan view thereof; and,
FIG. 8 is a bottom plan view thereof.

1 Claim, 4 Drawing Sheets



US D672,423 S

Page 2

U.S. PATENT DOCUMENTS

D373,297 S	9/1996	Hill		D499,552 S	12/2004	Nissanoff	
D376,474 S	12/1996	Marks		D500,952 S	1/2005	Moore	
5,588,242 A	12/1996	Hughes		7,020,994 B2	4/2006	Buie, II	
5,645,091 A	7/1997	Hoefl		D535,476 S	1/2007	Pennington	
D381,897 S	8/1997	Matthiesen		7,165,673 B2	1/2007	Marks	
5,755,055 A	5/1998	Thompson		7,356,961 B2	4/2008	Williams	
5,775,020 A	7/1998	Baird		7,367,151 B1	5/2008	Black	
5,775,021 A	7/1998	Weiss		7,451,707 B1 *	11/2008	Hadden	102/529
D401,658 S *	11/1998	Bullock	D22/108	D602,663 S	10/2009	Pennington	
D407,212 S	3/1999	Molaro		7,628,164 B2 *	12/2009	Joen-an Ma	135/121
D415,729 S *	10/1999	Wells	D12/317	D619,728 S *	7/2010	Bare et al.	D24/224
5,927,125 A	10/1999	Hedge		7,841,472 B1	11/2010	Williams	
6,126,005 A	10/2000	Long, Jr.		8,146,284 B2 *	4/2012	Smith	42/95
6,209,723 B1	4/2001	Fields		2003/0019180 A1 *	1/2003	Warren et al.	52/646
6,244,899 B1	6/2001	Bogursky		2003/0136044 A1	7/2003	Williams	
6,269,579 B1	8/2001	Warner		2006/0010753 A1	1/2006	Buie	
6,293,743 B1 *	9/2001	Ernst et al.	411/24	2007/0266610 A1 *	11/2007	Coffield, III	42/95
D449,506 S *	10/2001	Haung	D8/87	2008/0295818 A1	12/2008	Styles	
6,378,236 B1 *	4/2002	Solberg et al.	42/95	2009/0145785 A1	6/2009	Garrett	
D457,697 S	5/2002	Savage		2009/0193703 A1	8/2009	Riley	
6,389,978 B1 *	5/2002	Hooper et al.	102/442	2009/0199360 A1 *	8/2009	Madanat	16/111.1
D480,207 S	10/2003	Marks		2010/0175296 A1	7/2010	Williams	
D480,522 S	10/2003	Sasaki		2011/0047853 A1	3/2011	Williams	
6,640,480 B2	11/2003	Williams		2011/0209379 A1 *	9/2011	Williams	42/95
6,701,657 B1	3/2004	Hudspeth		2012/0073616 A1 *	3/2012	Kuelbs	135/16

* cited by examiner

FIG. 1

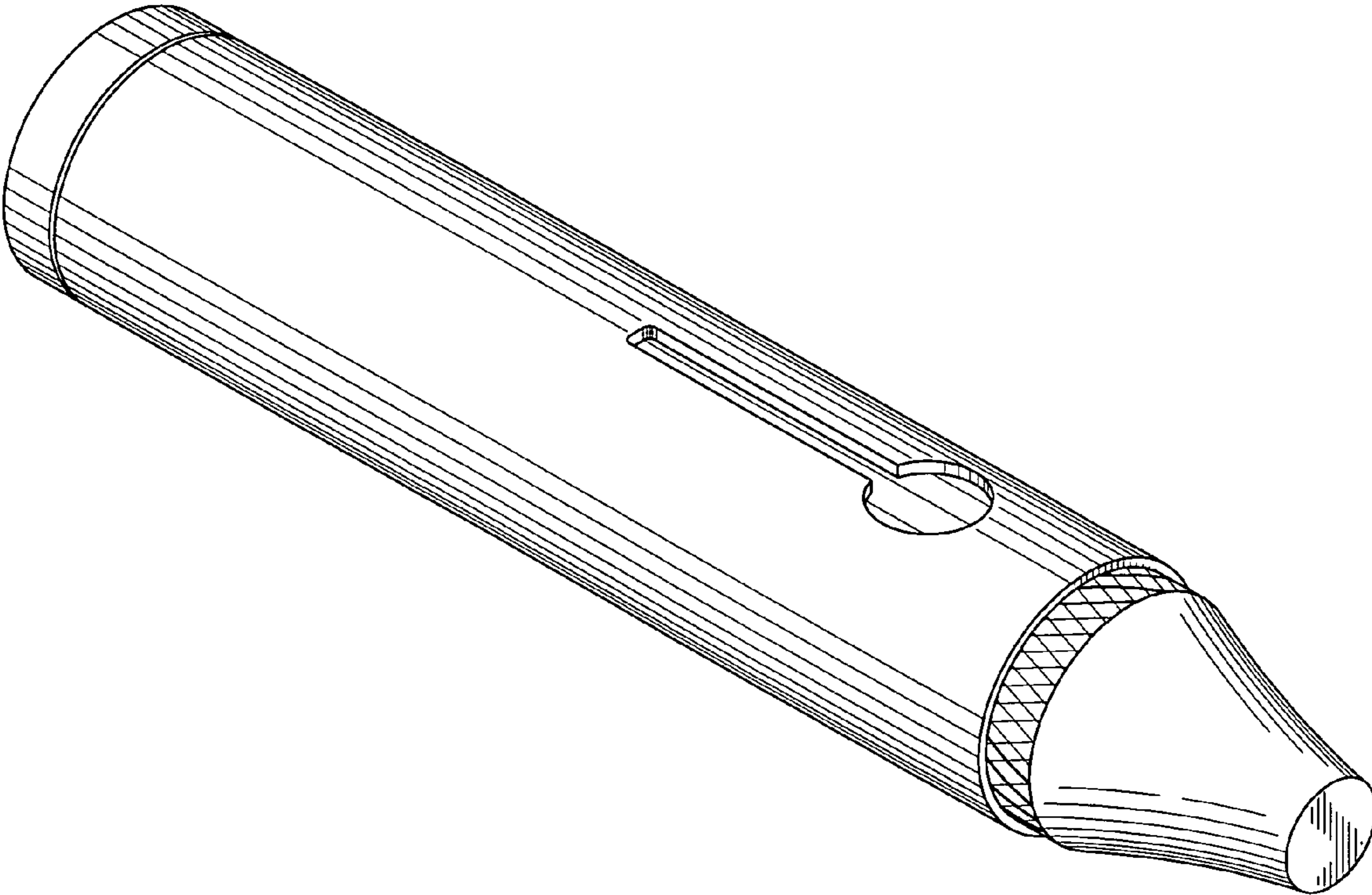


FIG. 2

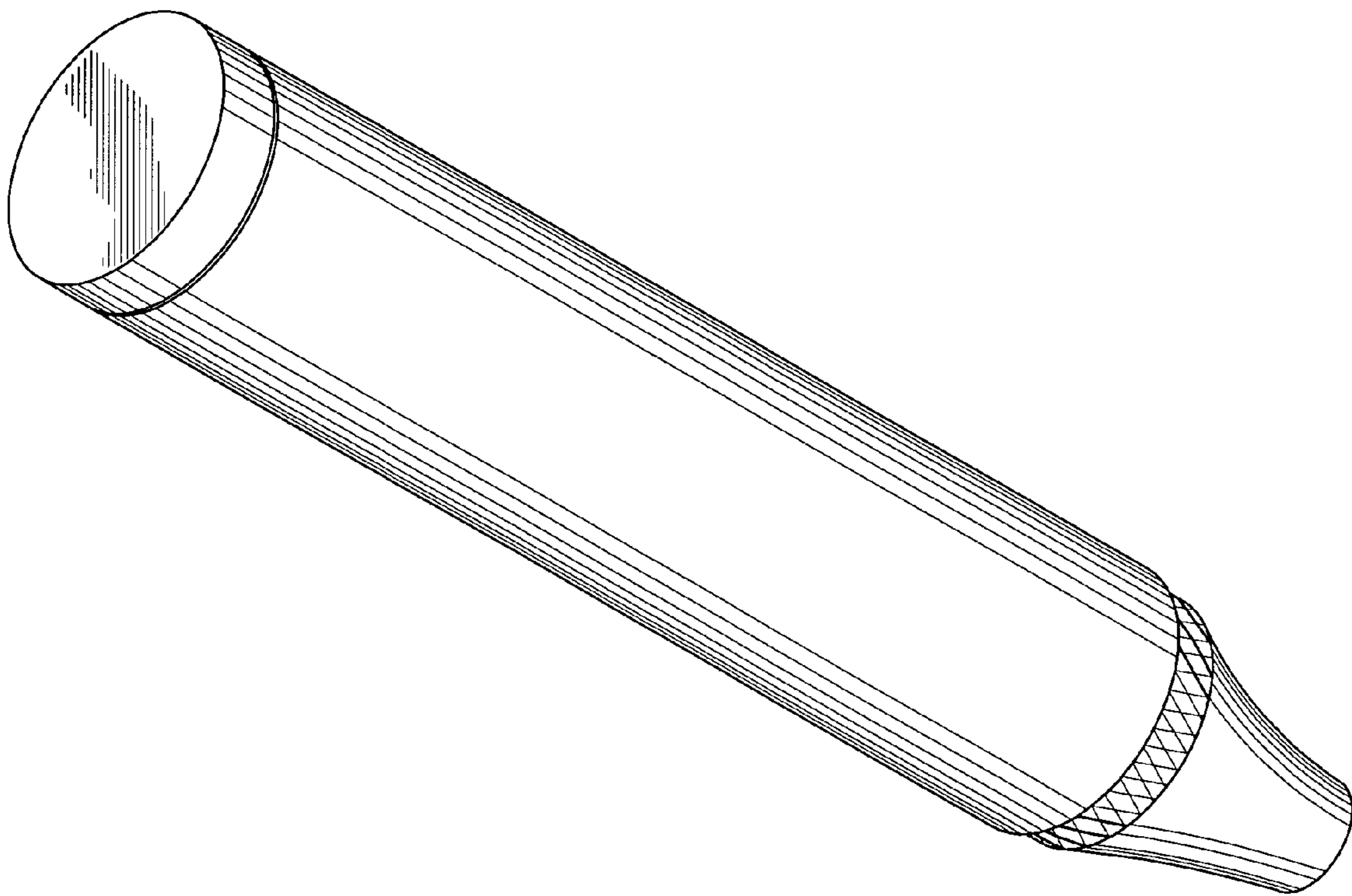


FIG. 3

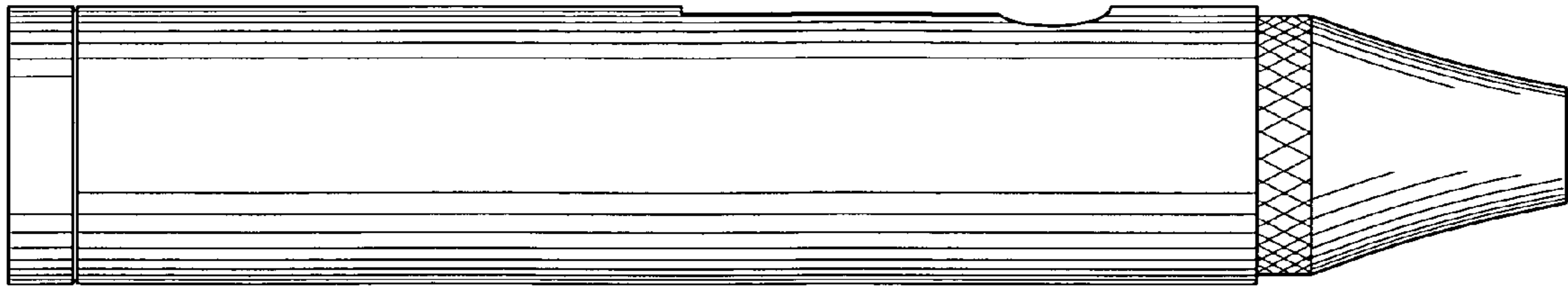


FIG. 4

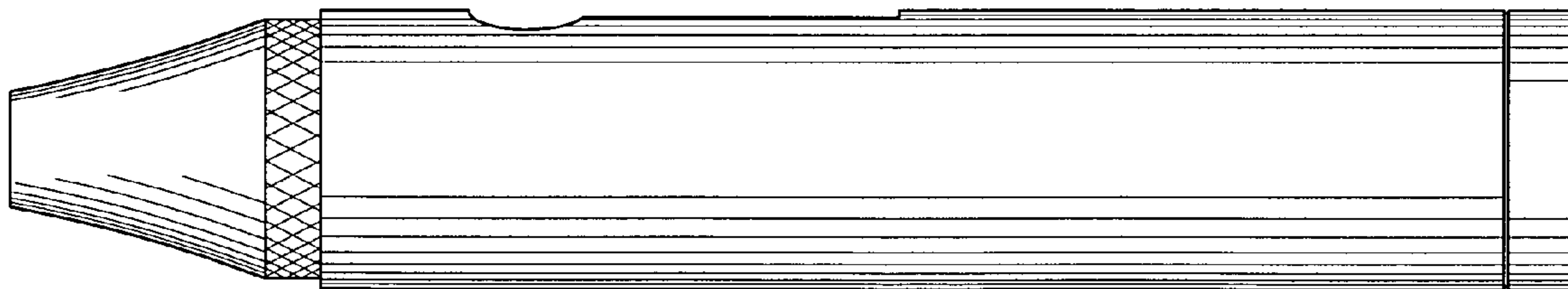


FIG. 5

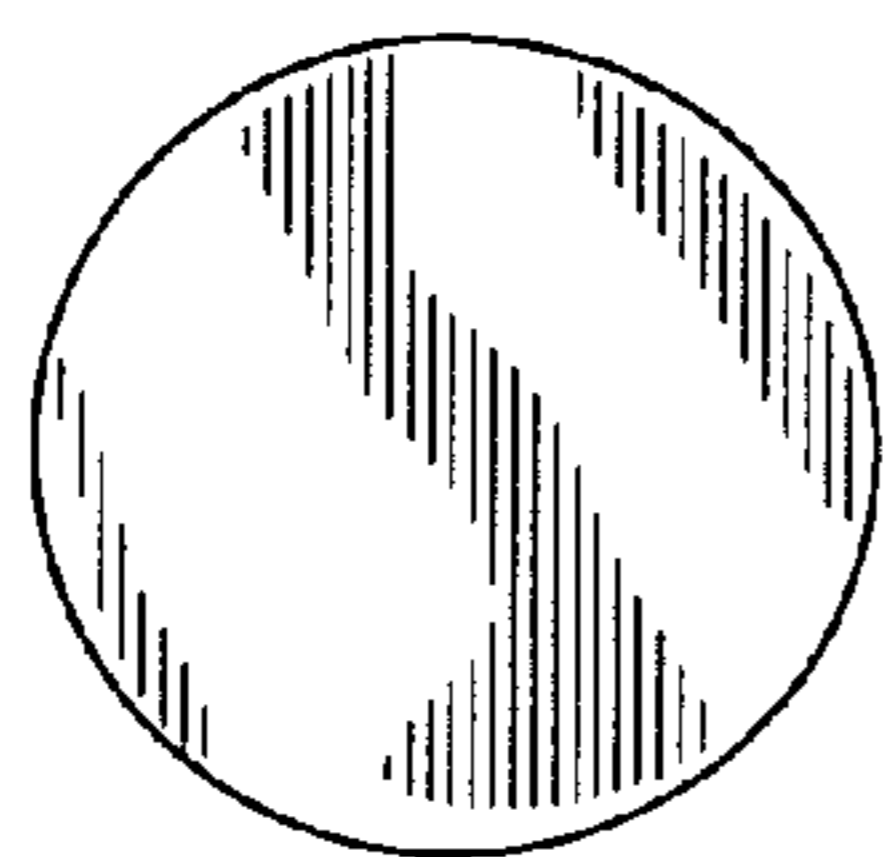


FIG. 6

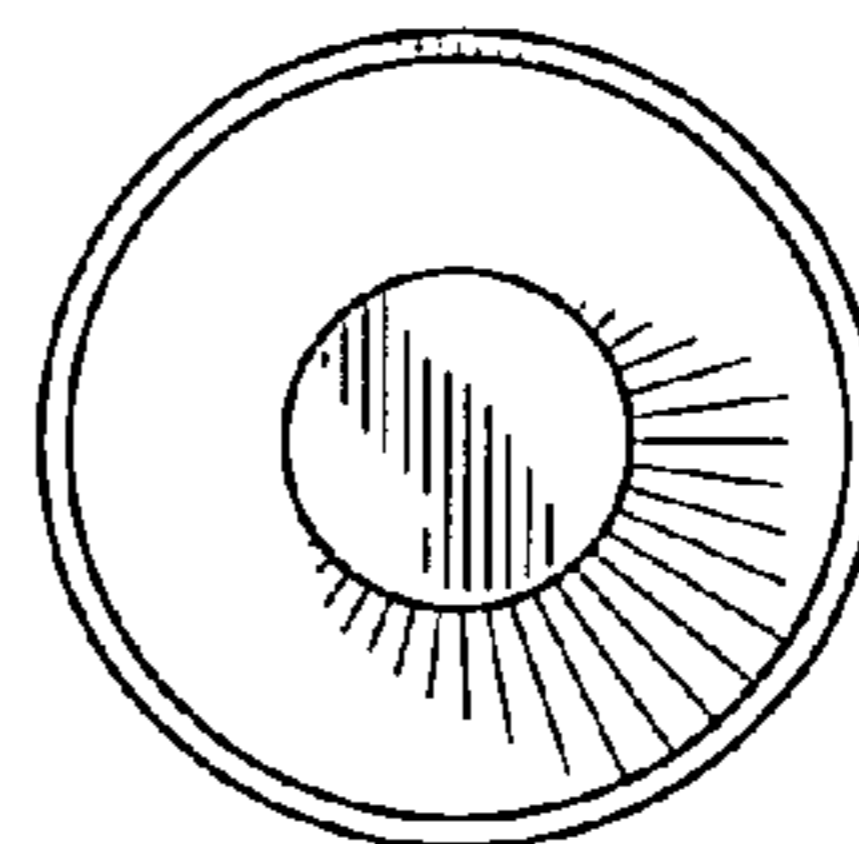


FIG. 7

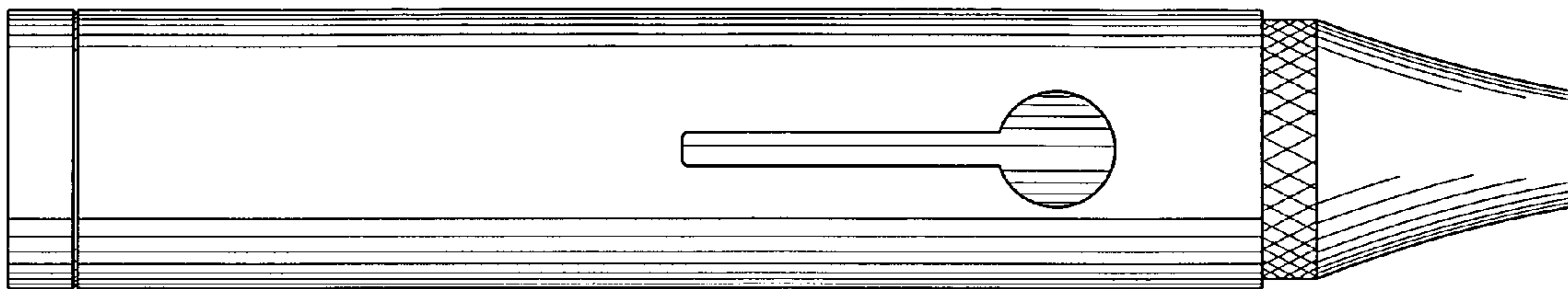


FIG. 8

