



US00D672421S

(12) **United States Design Patent**
Conlan

(10) **Patent No.:** **US D672,421 S**

(45) **Date of Patent:** **** Dec. 11, 2012**

(54) **LIFE JACKET**

(76) Inventor: **Michael Lathrop Conlan**, Minneapolis, MN (US)

(**) Term: **14 Years**

(21) Appl. No.: **29/413,156**

(22) Filed: **Feb. 11, 2012**

(51) **LOC (9) Cl.** **29-02**

(52) **U.S. Cl.** **D21/805**

(58) **Field of Classification Search** D21/804,
D21/805; D29/100, 101.1, 101, 4; 2/456,
2/458, 467, 463; 441/88, 89, 106, 108, 111,
441/114-117

See application file for complete search history.

(56) **References Cited**

U.S. PATENT DOCUMENTS

4,993,980	A	*	2/1991	Dulin et al.	441/129
D320,059	S	*	9/1991	Bedortha et al.	D21/805
D443,910	S	*	6/2001	Wilbanks	D21/805
D448,060	S	*	9/2001	Wilbanks	D21/805

D464,101	S	*	10/2002	Wilbanks	D21/804
D464,102	S	*	10/2002	Wilbanks	D21/804
D639,374	S	*	6/2011	Vick	D21/805

* cited by examiner

Primary Examiner — Zenia Bennett

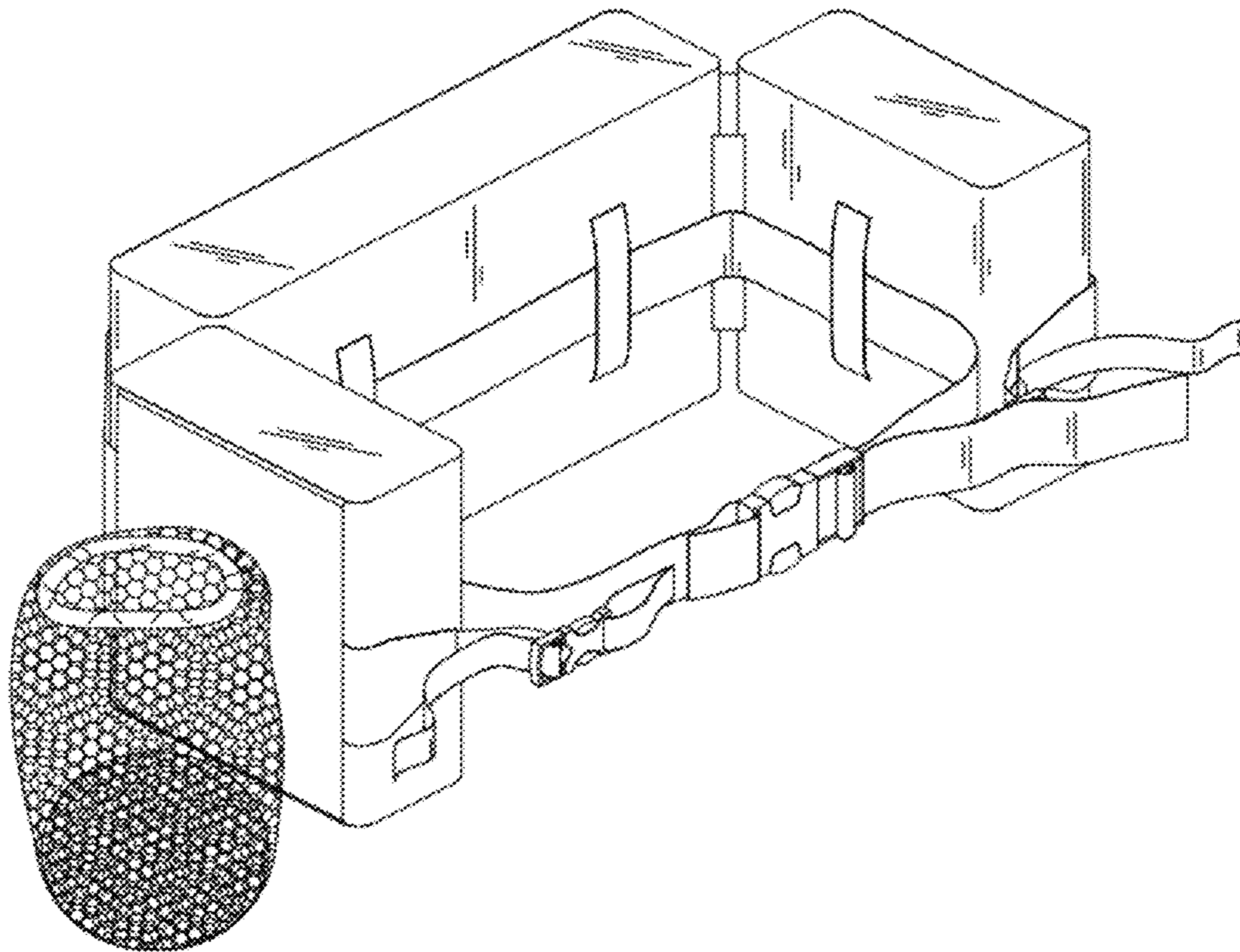
(57) **CLAIM**

The ornamental design for a life jacket, as shown.

DESCRIPTION

FIG. 1 is a perspective view of the life jacket showing my new design;
 FIG. 2 is the opposite side perspective;
 FIG. 3 is the front view;
 FIG. 4 is the back view;
 FIG. 5 is the left side;
 FIG. 6 is the right side;
 FIG. 7 is the top view;
 FIG. 8 is the bottom view;
 FIG. 9 is a supplemental view, unbuckled open; and,
 FIG. 10 is a supplemental view, unbuckled open.

1 Claim, 10 Drawing Sheets



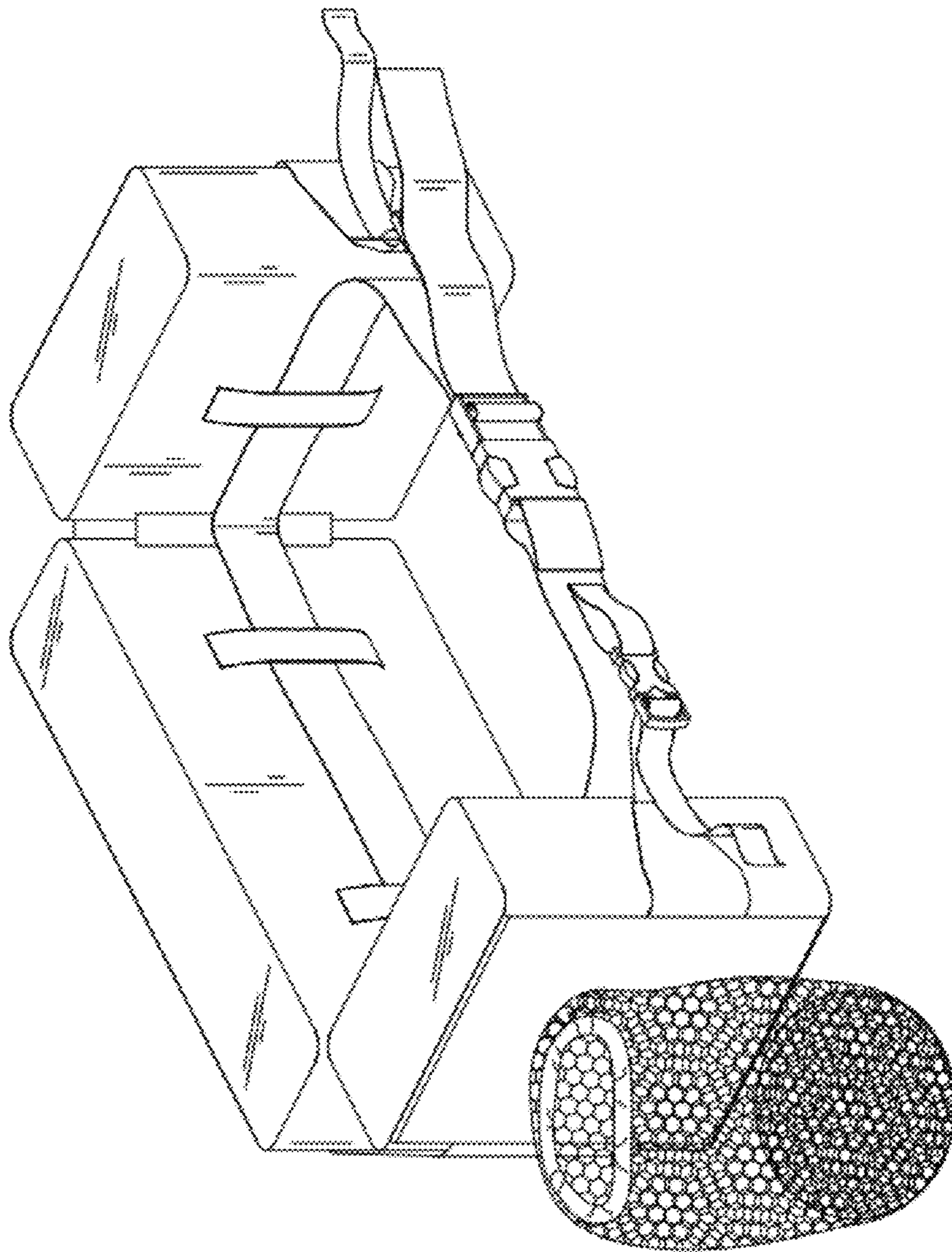


FIGURE 1

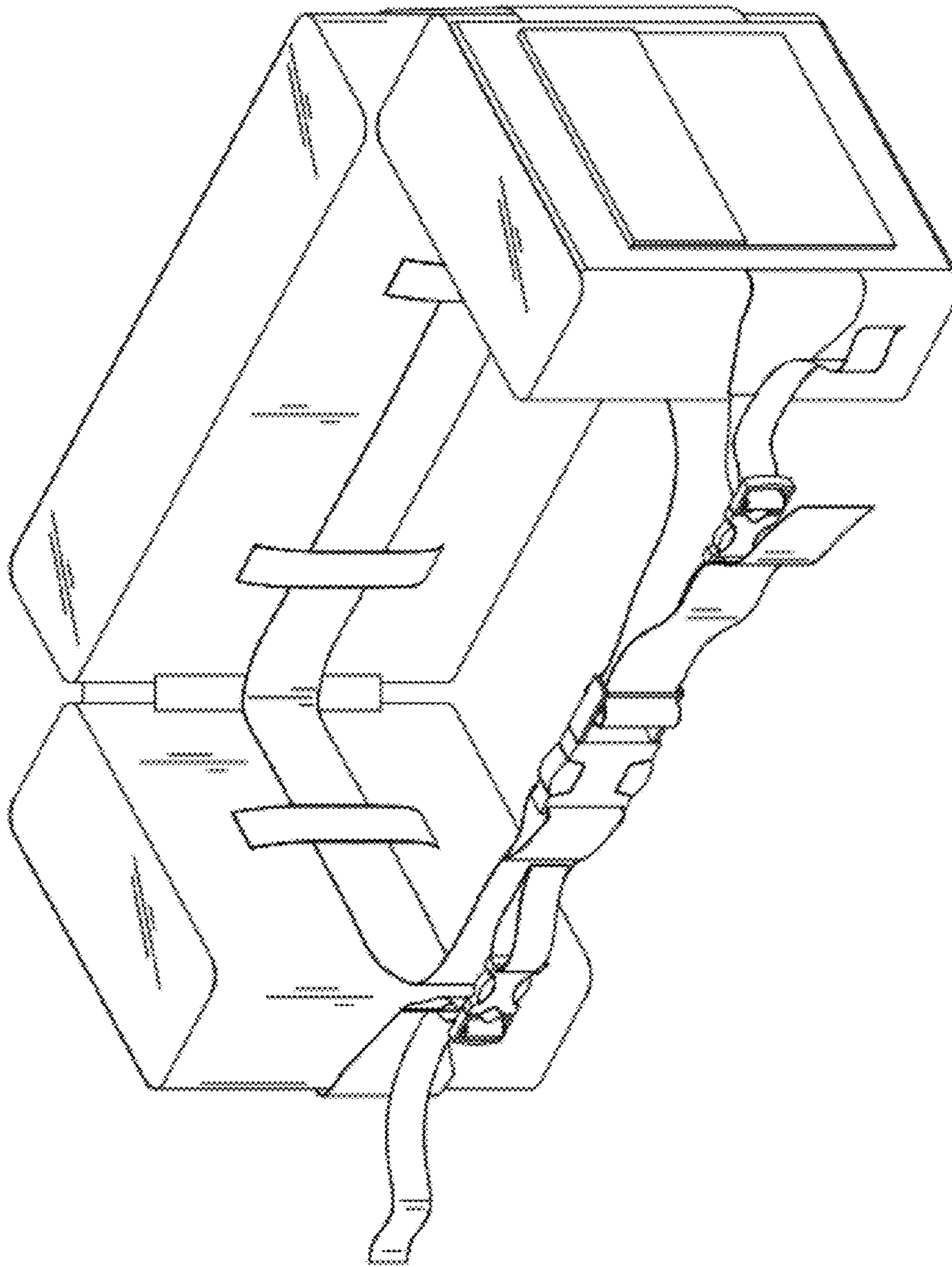


FIGURE 2

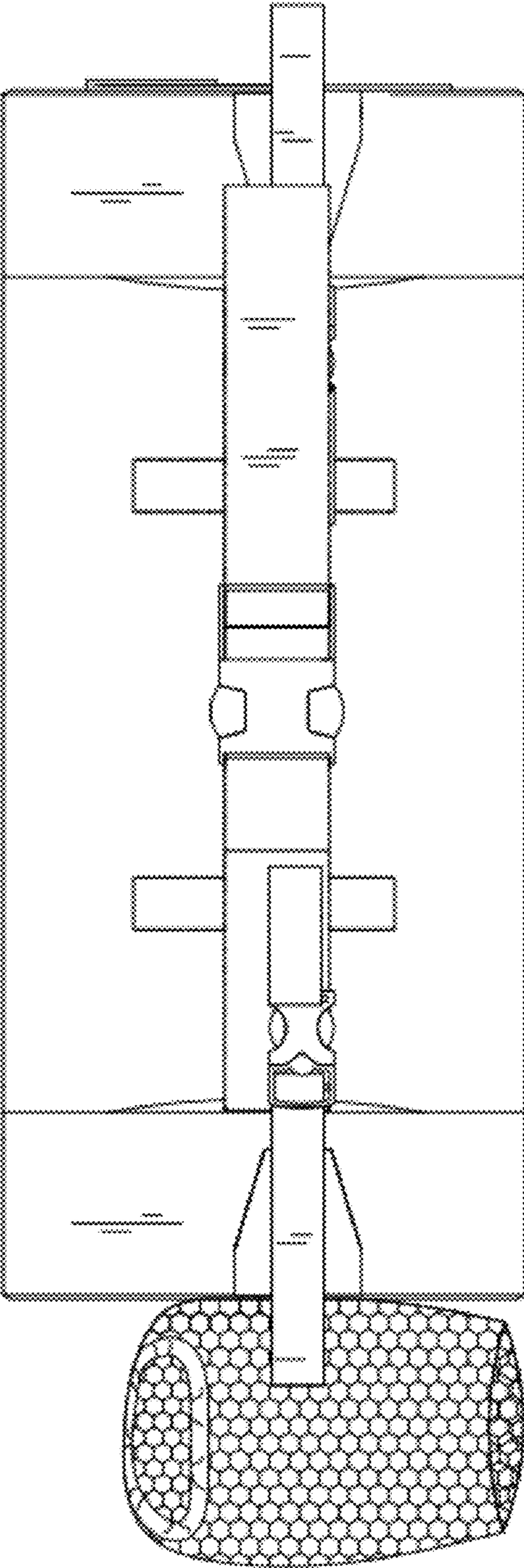


FIGURE 3

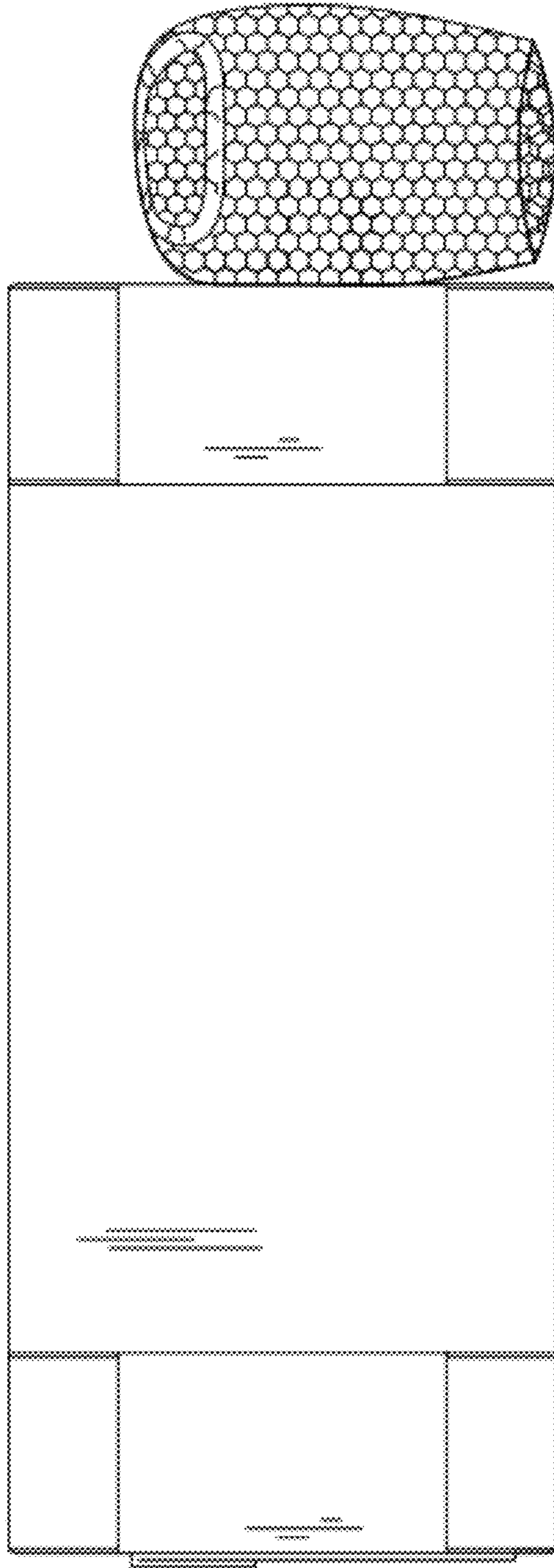


FIGURE 4

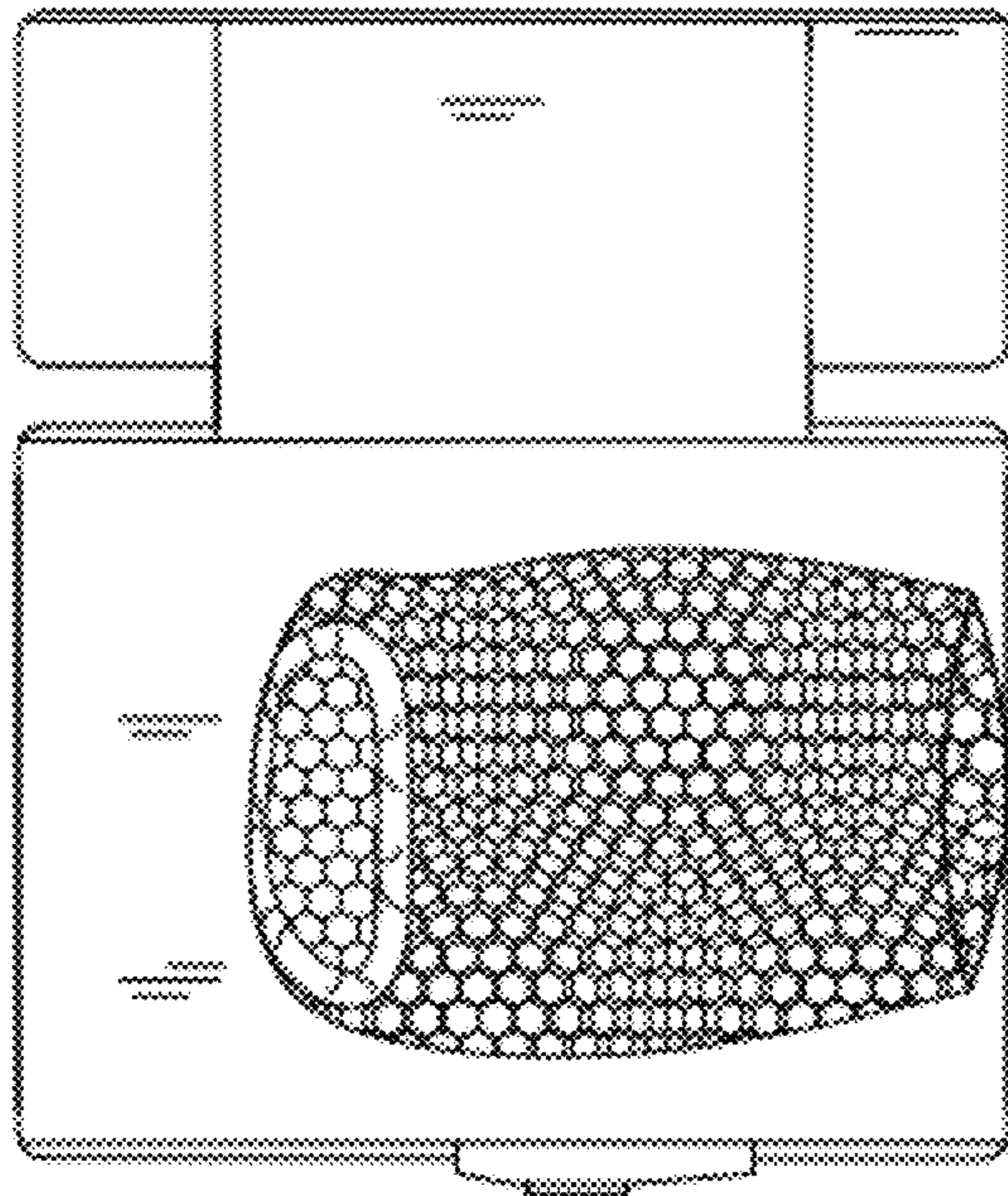


FIGURE 5

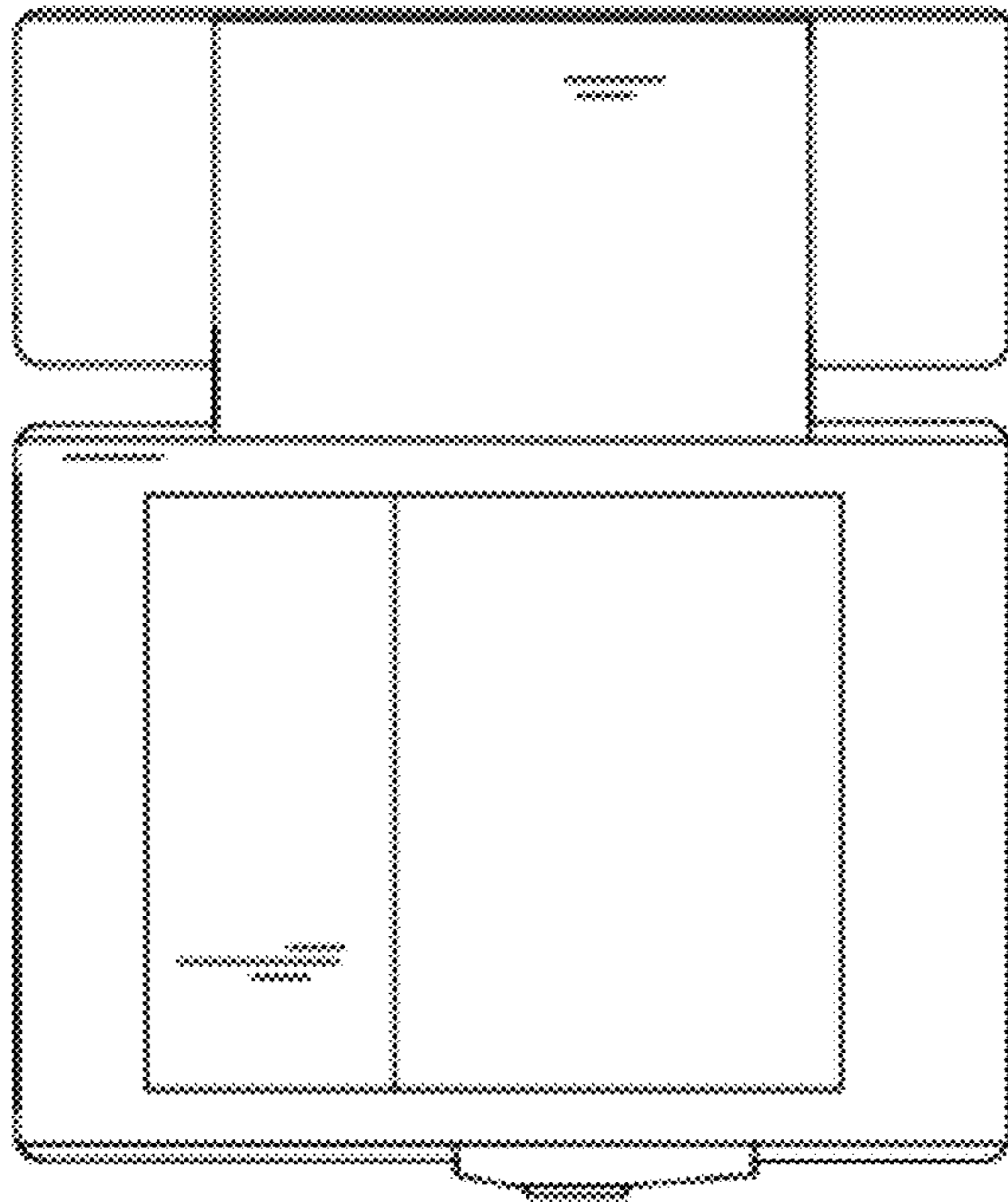


FIGURE 6

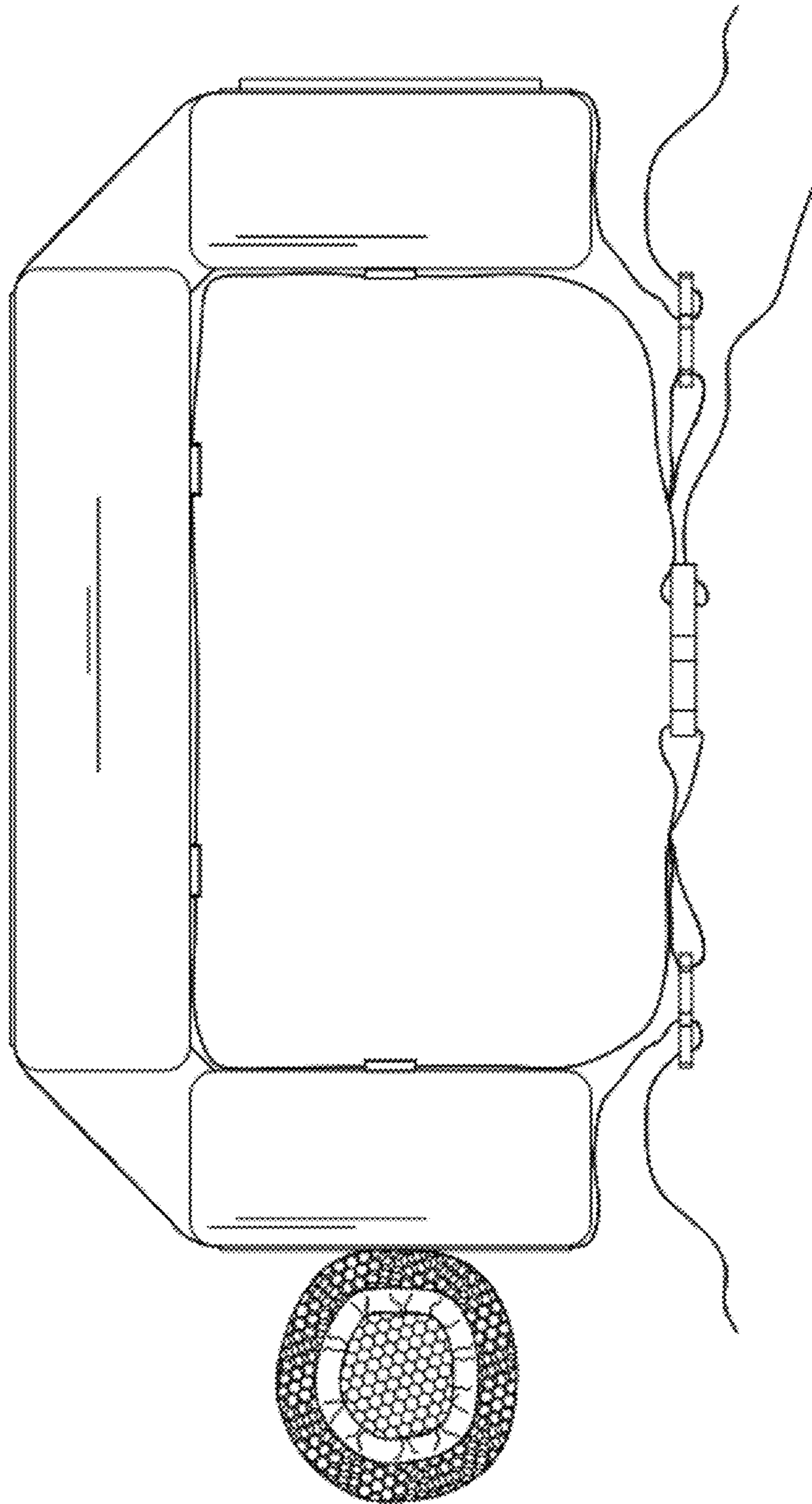


FIGURE 7

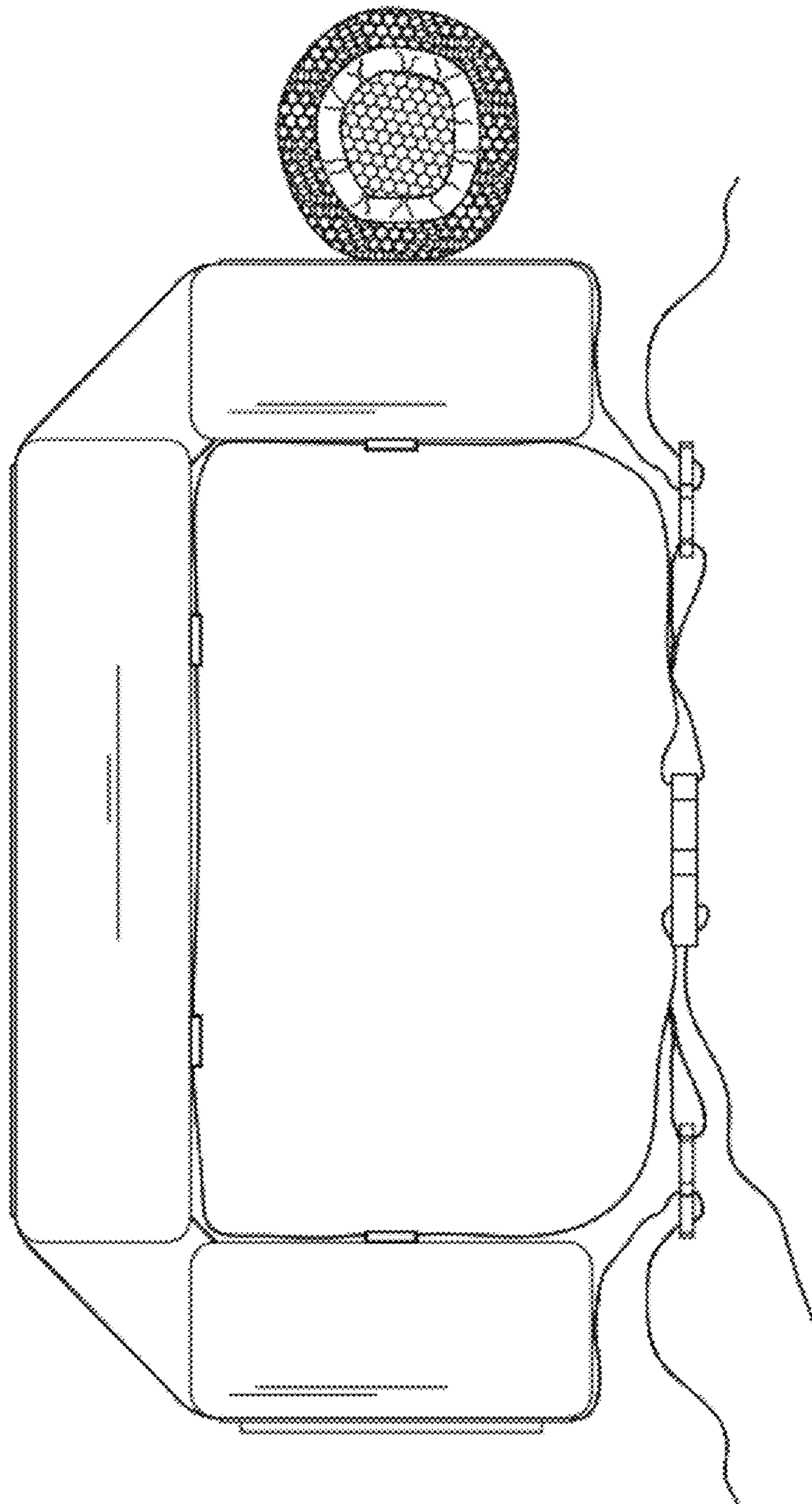


FIGURE 8

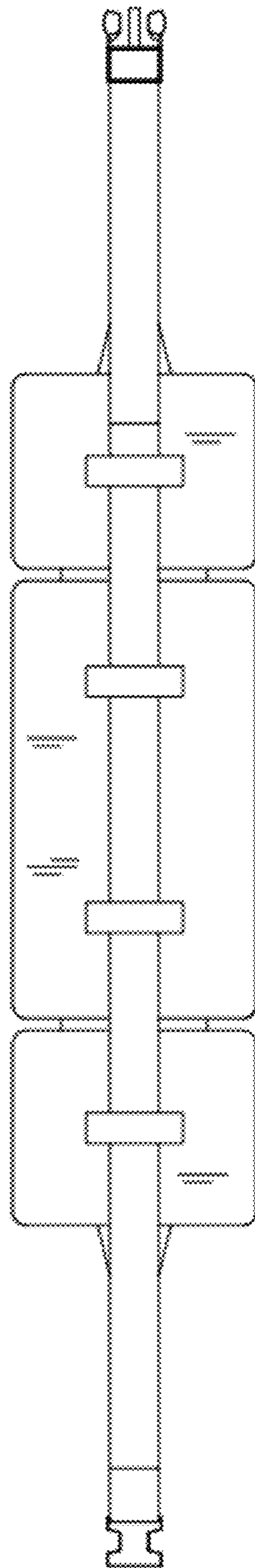


FIGURE 9

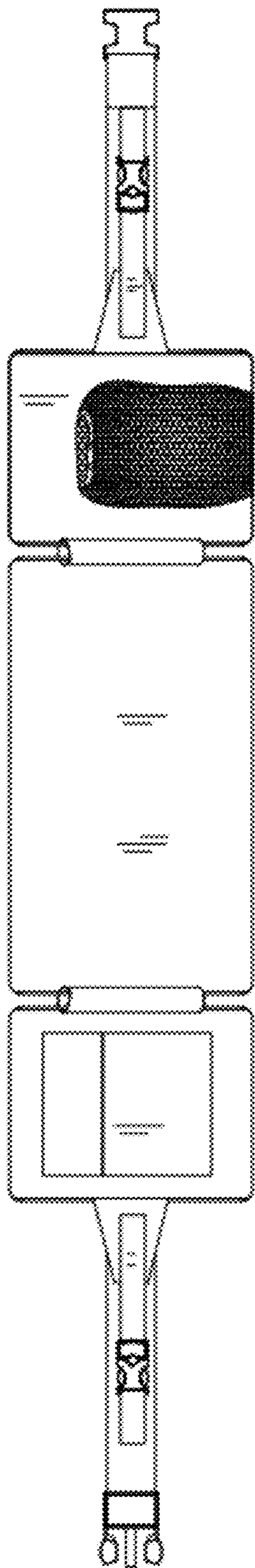


FIGURE 10