

US00D672419S

(12) **United States Design Patent**
Stroitz

(10) **Patent No.:** **US D672,419 S**

(45) **Date of Patent:** **** Dec. 11, 2012**

(54) **WING-CHUN TRAINING DEVICE**
(75) Inventor: **Manfred Stroitz**, Egg bei Zürich (CH)
(73) Assignee: **Budo Tec Board GmbH**,
Aathal-Seegraben (CH)

4,239,230 A * 12/1980 Shoptaugh 273/264
D261,294 S * 10/1981 Clink et al. D21/677
D320,428 S * 10/1991 Rust D22/117
D325,402 S * 4/1992 McCorry D21/798
6,050,926 A * 4/2000 Purdie 482/141
D545,934 S * 7/2007 Hardy et al. D21/798
D586,410 S * 2/2009 Citterio D21/673
D590,030 S * 4/2009 Manderbacka D21/662
2011/0015040 A1 * 1/2011 Fleitz 482/8

(**) Term: **14 Years**

* cited by examiner

(21) Appl. No.: **29/401,085**

Primary Examiner — Susan E Krakower

(22) Filed: **Sep. 7, 2011**

(74) *Attorney, Agent, or Firm* — Browdy and Neimark,
PLLC

(30) **Foreign Application Priority Data**

Mar. 7, 2011 (WO) DM/076 272

(57) **CLAIM**

The ornamental design for a wing-chun training device, as shown and described.

(51) **LOC (9) Cl.** **21-02**

DESCRIPTION

(52) **U.S. Cl.** **D21/798**

(58) **Field of Classification Search** D21/662,
D21/671, 677, 673, 686–689, 694, 797, 798;
482/46, 70, 79, 93, 96, 121, 123, 129–131,
482/140, 141, 142; 273/153 J, 264, 265
See application file for complete search history.

FIG. 1 is a perspective view of a wing-chun training device according to the invention.

FIG. 2 is a front view of the device according to the invention.

FIG. 3 is a side view of the device according to the invention.

FIG. 4 is a perspective view of the device according to the invention shown without the removable posts for completeness of illustration.

FIG. 5 is a front view of the device according to the invention without the removable posts; and,

FIG. 6 is a side view of the device according to the invention without the removable posts.

(56) **References Cited**

U.S. PATENT DOCUMENTS

3,074,721 A * 1/1963 De Moon 273/153 J
3,149,842 A * 9/1964 Cirrincione 273/265
D212,021 S * 8/1968 Gregory D21/686
3,559,487 A * 2/1971 Parlato 73/379.08
4,004,799 A * 1/1977 Kundert 472/69

1 Claim, 6 Drawing Sheets

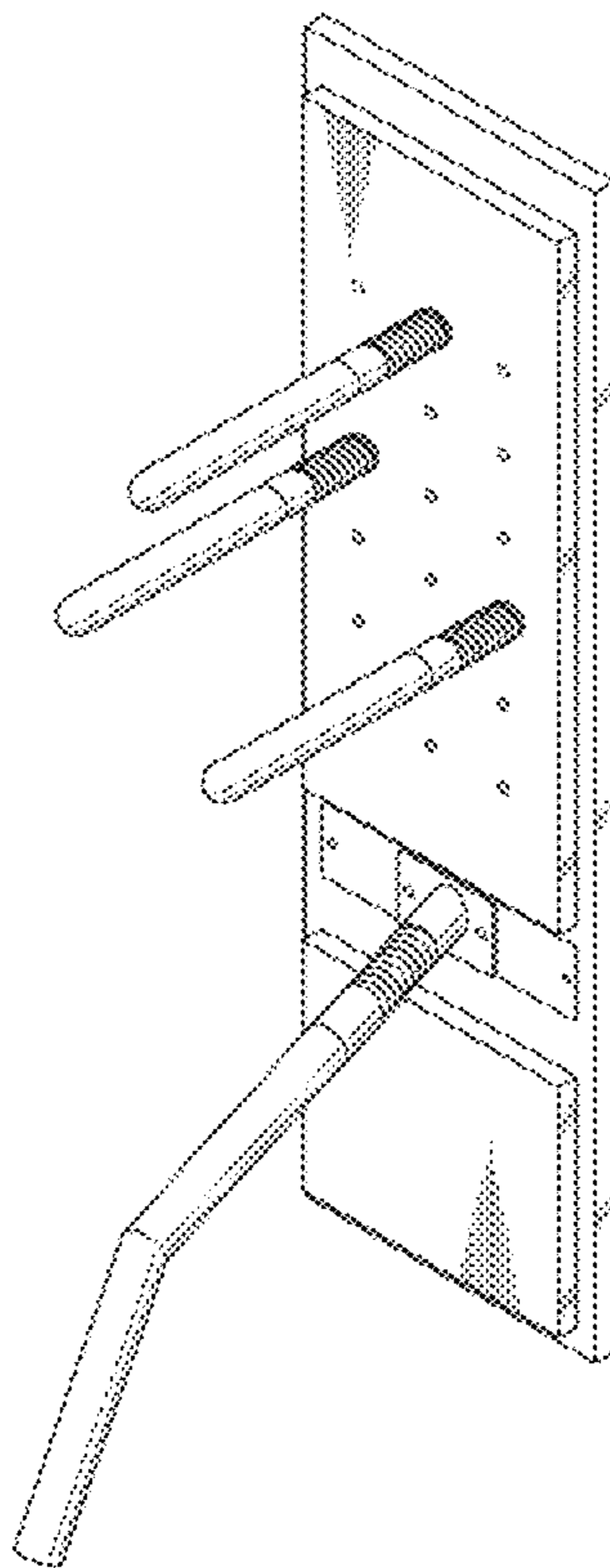
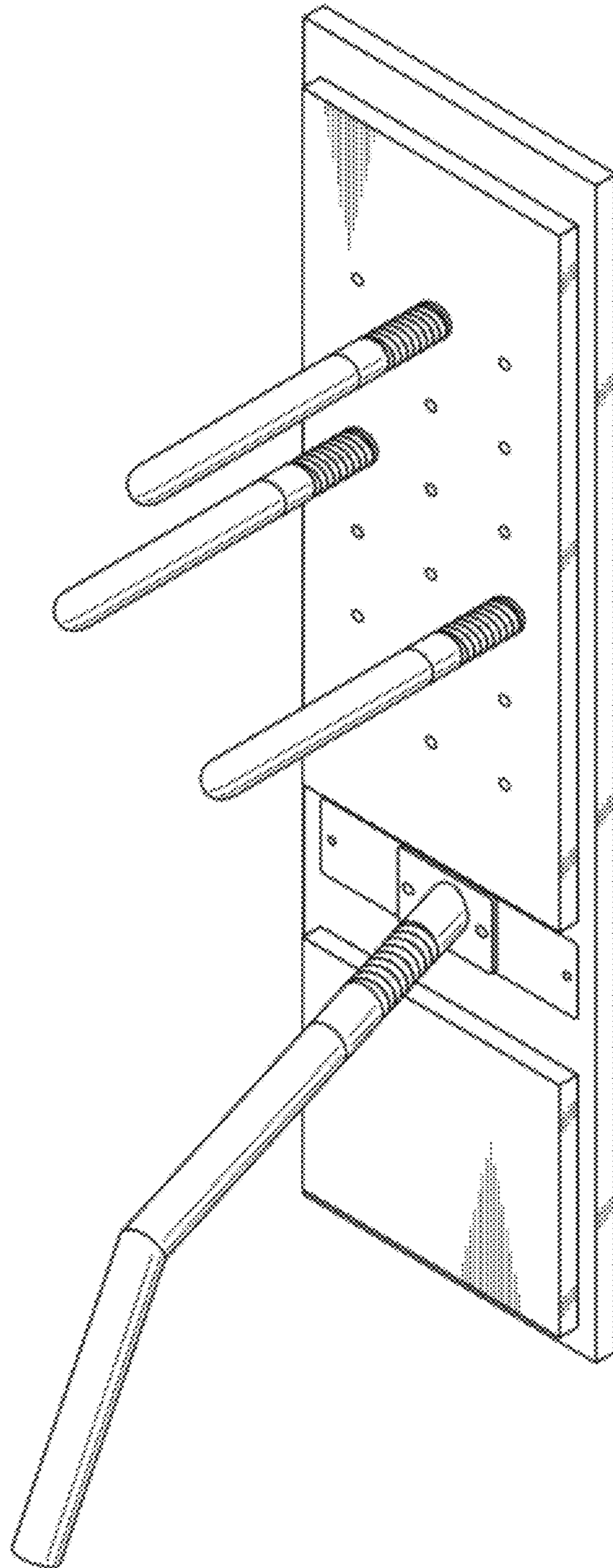


Figure 1



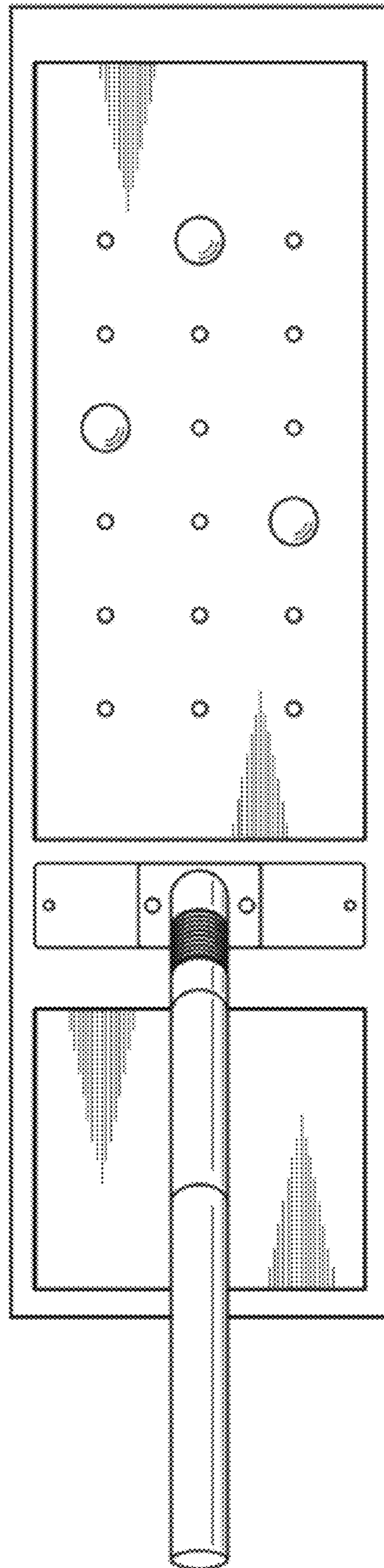


Figure 2

Figure 3

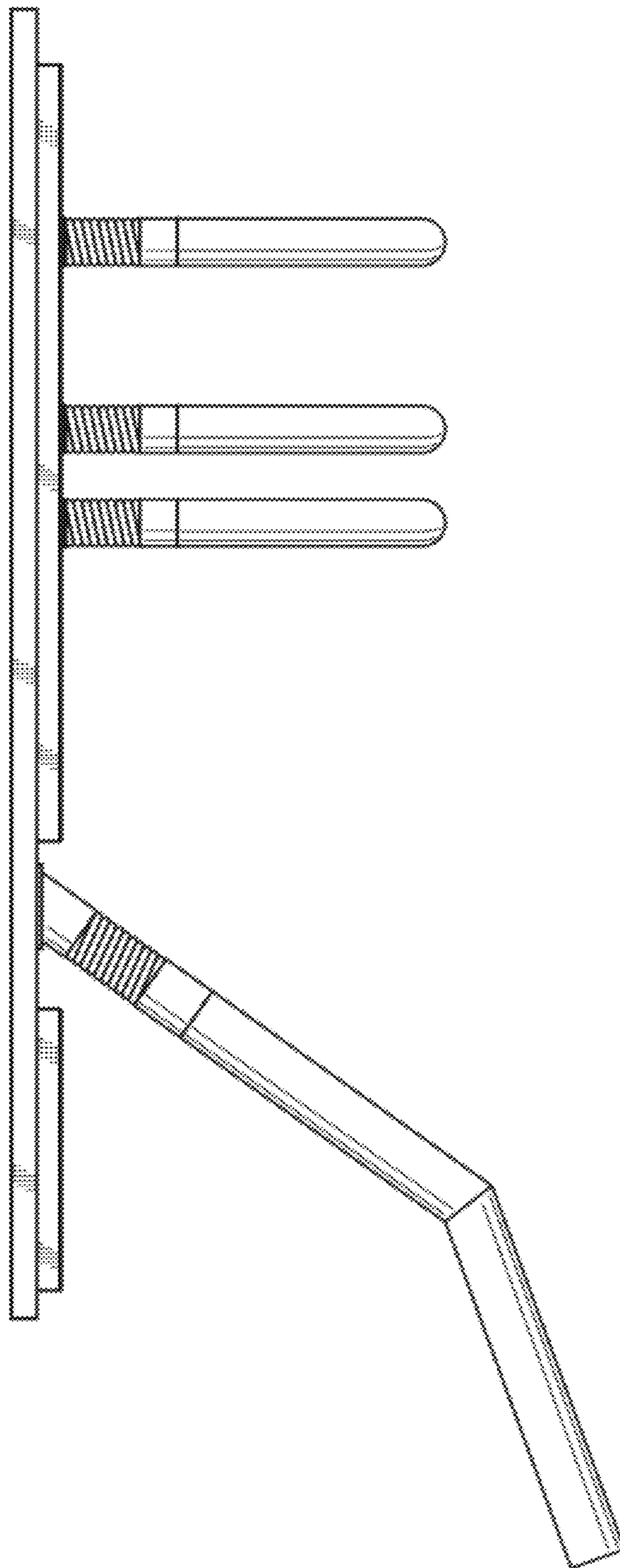


Figure 4

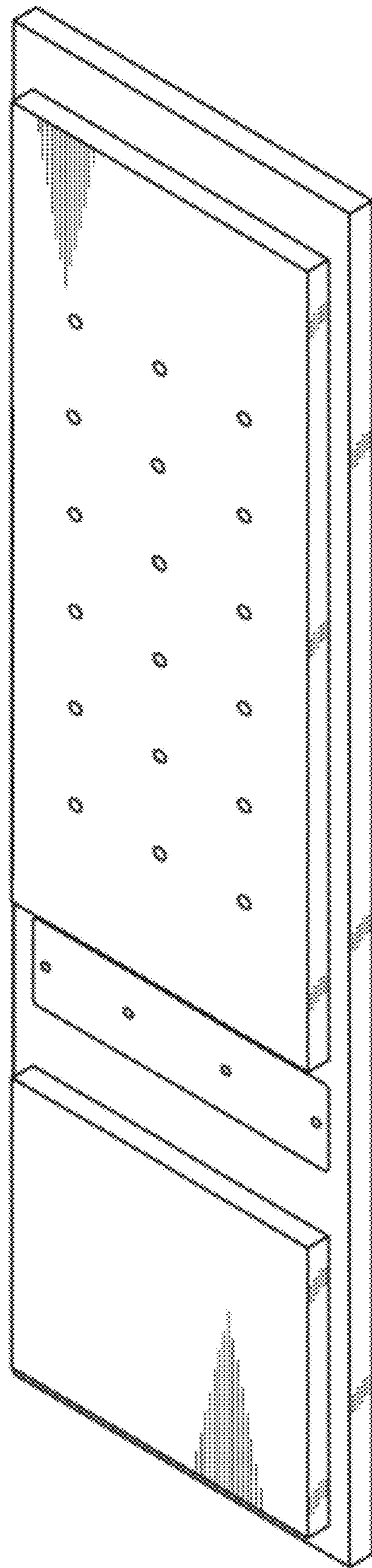


Figure 5

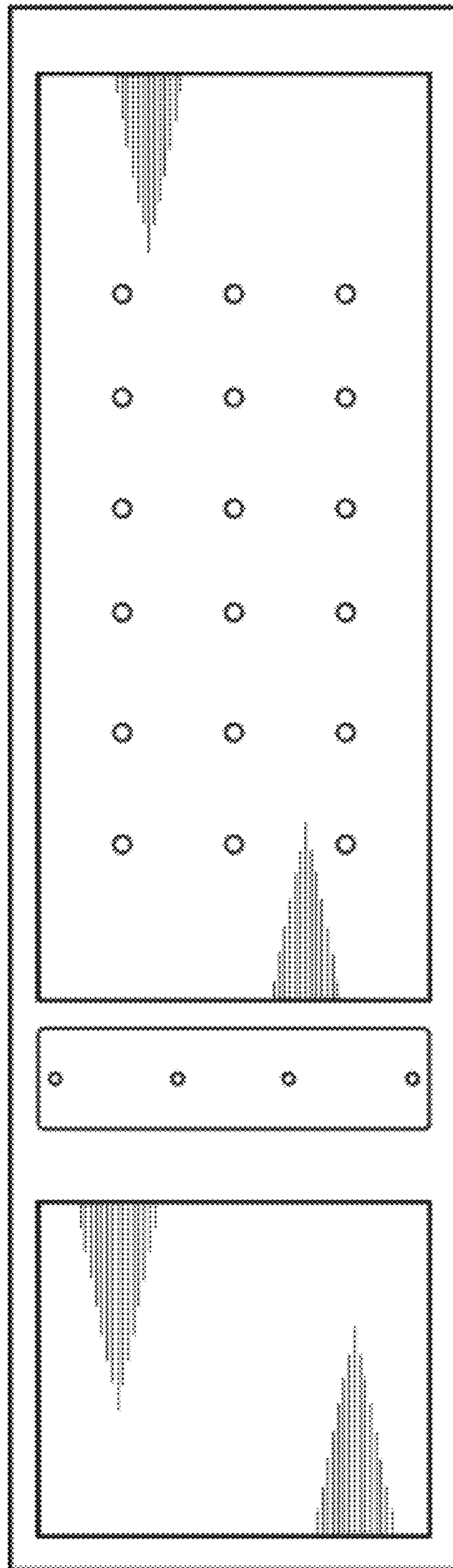


Figure 6

