



US00D672416S

(12) **United States Design Patent**
Lien et al.

(10) **Patent No.:** **US D672,416 S**

(45) **Date of Patent:** **** Dec. 11, 2012**

(54) **WALL BALL**

(75) Inventors: **Louis Lien**, Bellaire, TX (US); **Naseer Ahmed**, Sialkot (PK)

(73) Assignee: **USA Sports, Inc.**, Houston, TX (US)

(**) Term: **14 Years**

(21) Appl. No.: **29/416,902**

(22) Filed: **Mar. 28, 2012**

(51) **LOC (9) Cl.** **21-02**

(52) **U.S. Cl.** **D21/713**

(58) **Field of Classification Search** D21/707-714;
446/220-226; 473/569-577, 593-615, FOR.
134-FOR. 167
See application file for complete search history.

(56) **References Cited**

U.S. PATENT DOCUMENTS

1,438,226	A	*	12/1922	Edwards	473/607
1,669,198	A	*	5/1928	Greer	473/597
D270,851	S	*	10/1983	Feger	D21/713
D306,470	S	*	3/1990	Norman et al.	D21/713
D357,958	S	*	5/1995	Audero, Jr.	D21/713
D393,030	S	*	3/1998	Mills	D21/713
D439,294	S	*	3/2001	Hall	D21/713
D452,721	S	*	1/2002	Sonntag	D21/713
D510,113	S	*	9/2005	Kelly	D21/713
D533,239	S	*	12/2006	Yang	D21/713

7,201,670	B2	*	4/2007	Ninomiya et al.	473/374
D590,460	S	*	4/2009	Hirata et al.	D21/713
2009/0062043	A1	*	3/2009	Wellington, Jr.	473/604

FOREIGN PATENT DOCUMENTS

CH	29749-0001	*	8/2003
CN	301201695	*	5/2010
EM	000595806-0003	*	12/2006
EM	000773650-0002	*	8/2007
GB	1014218	*	1/1984
GB	2074108	*	8/1998
WO	D071297-009	*	6/2009

* cited by examiner

Primary Examiner — Catherine Tuttle

(74) *Attorney, Agent, or Firm* — Osha Liang LLP

(57) **CLAIM**

The ornamental design for a wall ball, as shown and described.

DESCRIPTION

FIG. 1 is a front view of the wall ball showing our new design; FIG. 2 is a right side view thereof, the left side view being identical thereto;

FIG. 3 is a bottom view thereof; and,

FIG. 4 is a top view thereof.

The broken lines are included for the purpose of illustrating portions of the wall ball that form no part of the claimed design.

1 Claim, 2 Drawing Sheets

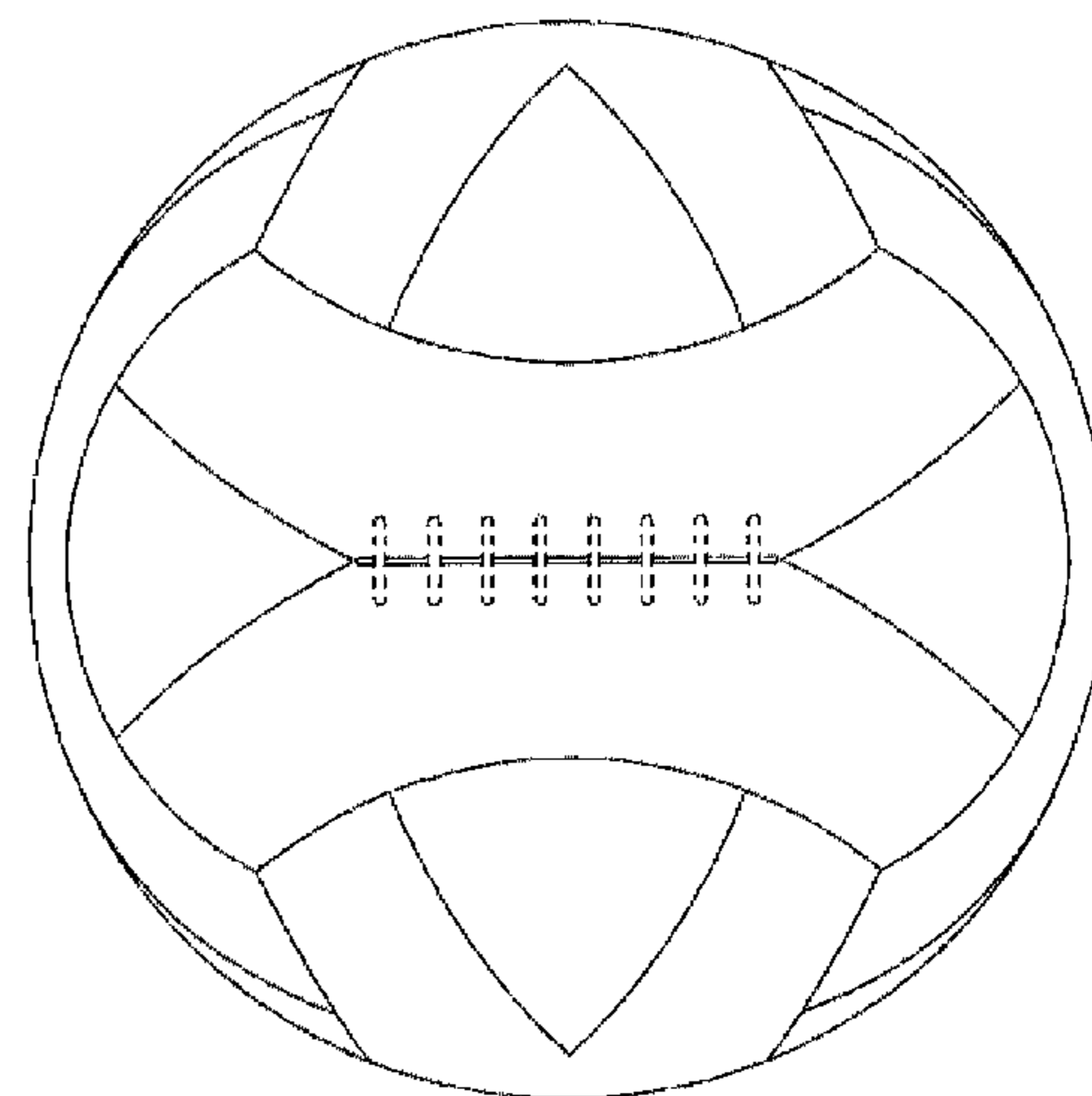
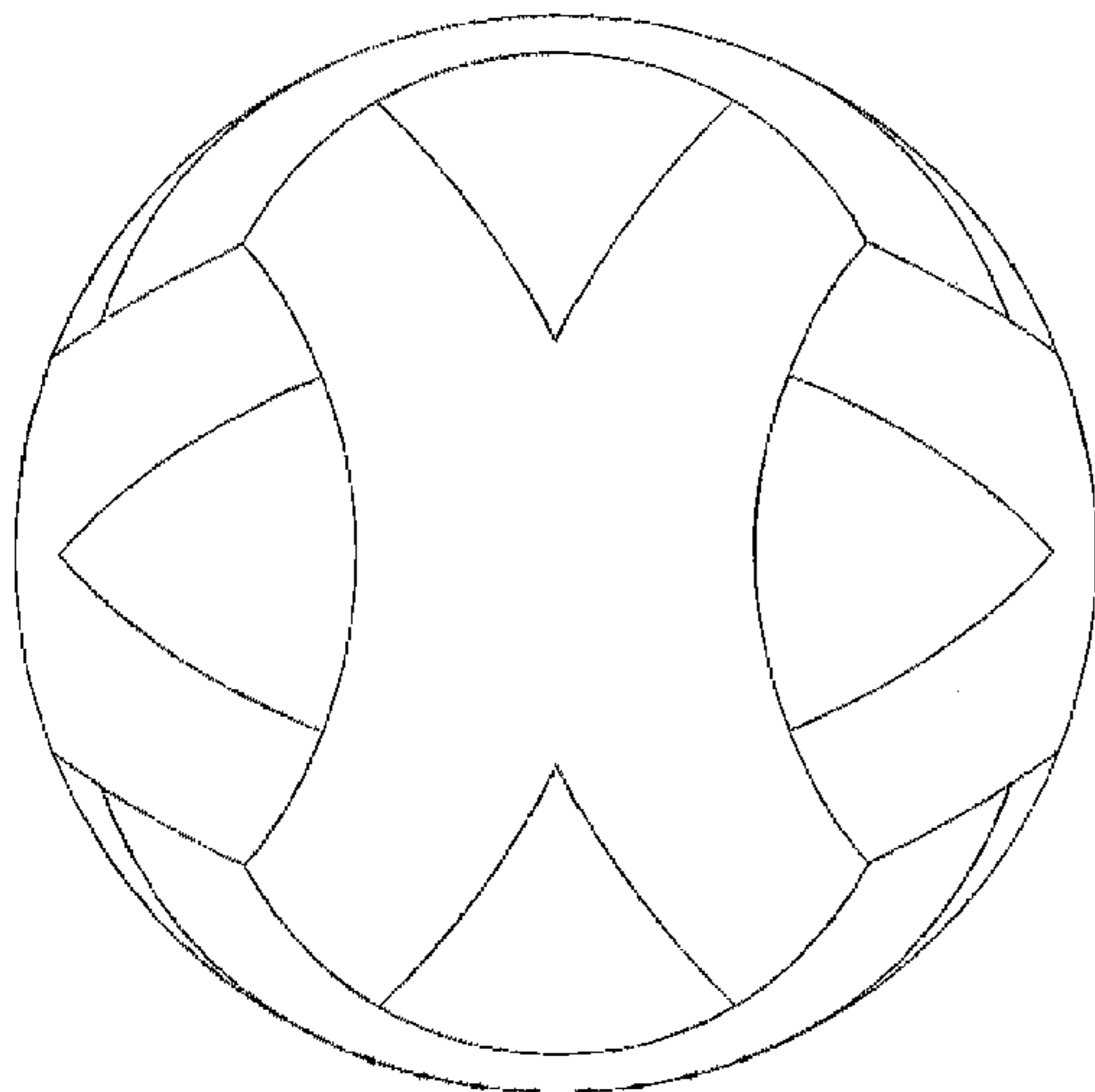


FIG. 1

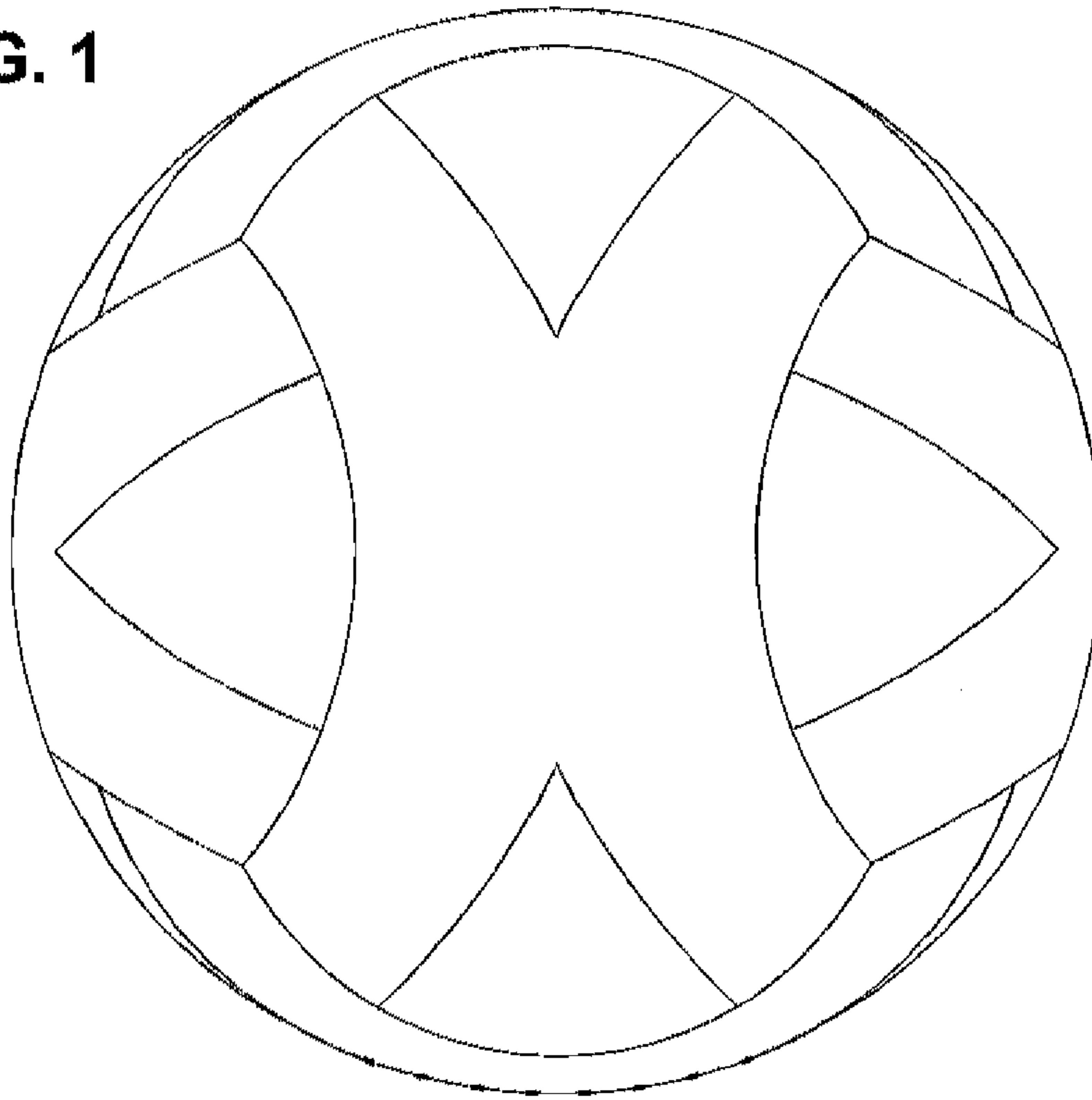


FIG. 2

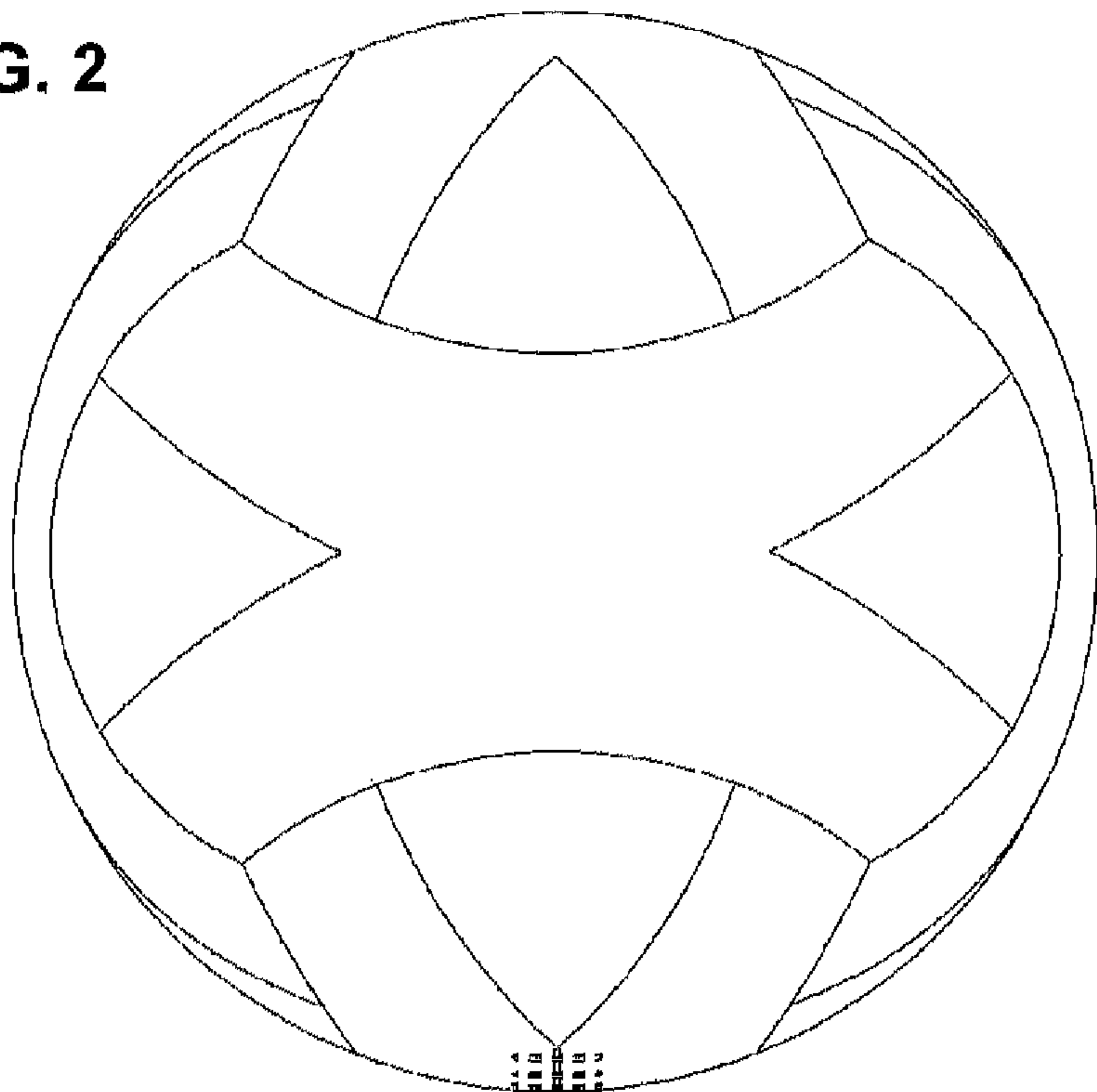


FIG. 3

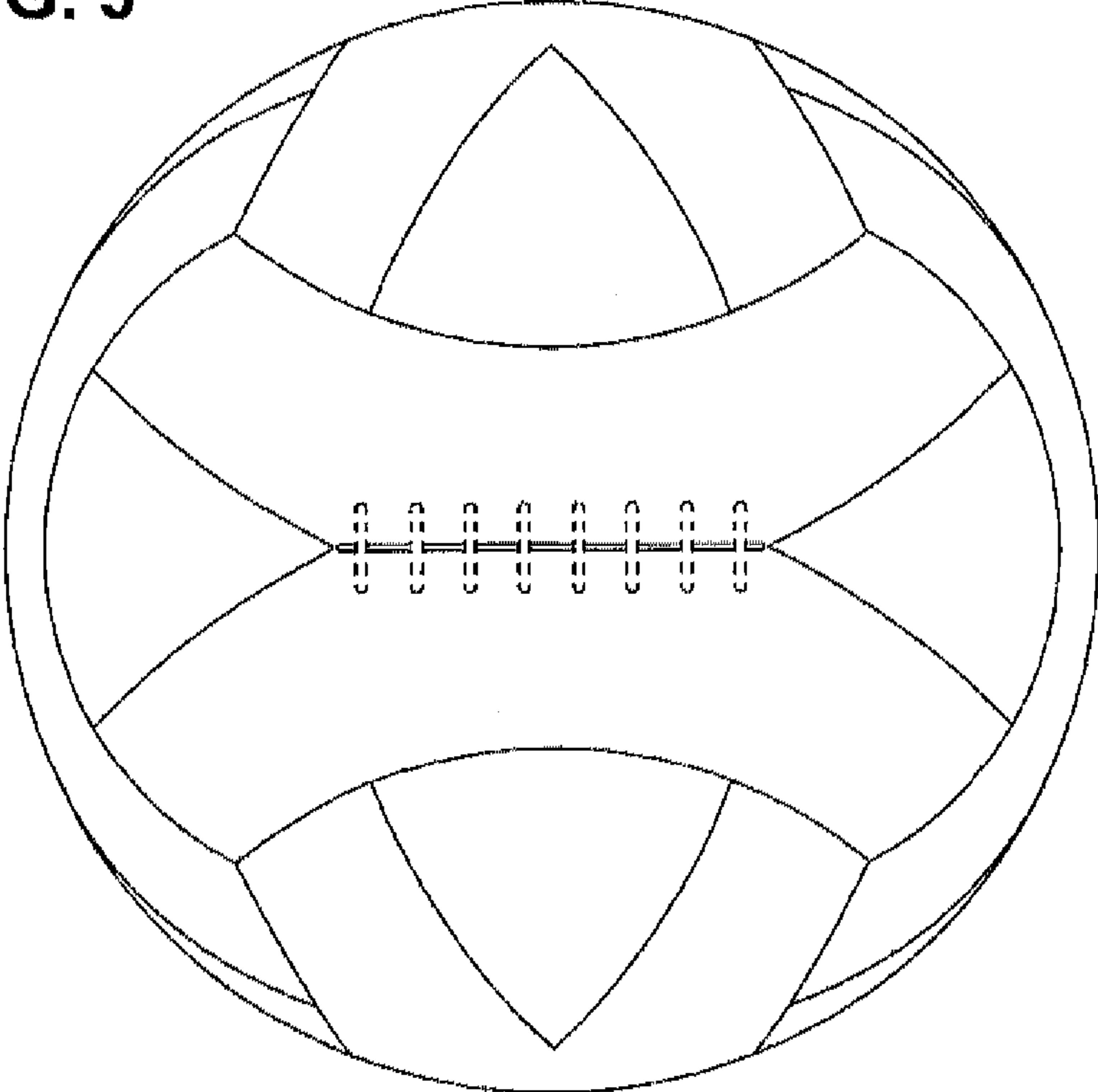


FIG. 4

