



US00D672414S

(12) **United States Design Patent**  
**Januszek**

(10) **Patent No.:** **US D672,414 S**

(45) **Date of Patent:** **\*\* Dec. 11, 2012**

- (54) **WEIGHTED BAG FOR EXERCISE**
- (75) Inventor: **Matthew Januszek**, Peterborough (GB)
- (73) Assignee: **Escape Fitness Limited**, Peterborough, Cambridgeshire (GB)
- (\*\*) Term: **14 Years**
- (21) Appl. No.: **29/411,208**
- (22) Filed: **Jan. 18, 2012**

- (30) **Foreign Application Priority Data**  
Jul. 25, 2011 (EM) ..... 001895616-0001
- (51) **LOC (9) Cl.** ..... **21-02**
- (52) **U.S. Cl.** ..... **D21/680**
- (58) **Field of Classification Search** ..... D21/662,  
D21/680-683, 798; D6/502, 601; 482/83,  
482/87, 93, 105, 109-110, 139; D3/229,  
D3/233, 254, 269, 289, 316  
See application file for complete search history.

- (56) **References Cited**  
**U.S. PATENT DOCUMENTS**  
3,998,304 A \* 12/1976 Edgerton et al. .... 190/107  
D286,170 S \* 10/1986 Colleuil ..... D21/662  
4,852,778 A \* 8/1989 Beiser et al. .... 224/417  
D341,509 S \* 11/1993 Evans ..... D6/502  
D356,888 S \* 4/1995 Myers et al. .... D3/254

5,417,635	A *	5/1995	Sell	.....	482/105
D382,164	S *	8/1997	Hays	.....	D6/601
D385,452	S *	10/1997	Marti	.....	D6/601
D395,751	S *	7/1998	Dominique	.....	D3/233
D415,390	S *	10/1999	Winnington-Ingram	.....	D7/507
6,748,615	B1 *	6/2004	Tiedemann	.....	5/640
6,782,572	B1 *	8/2004	Jones	.....	5/640
D505,291	S *	5/2005	Dalset	.....	D6/601
D563,490	S *	3/2008	Prenatt	.....	D21/680
D615,137	S *	5/2010	Ivanov	.....	D21/680
D650,586	S *	12/2011	Hutcheson	.....	D3/316
D656,567	S *	3/2012	Ivanov	.....	D21/680
2005/0187075	A1 *	8/2005	Bellamy	.....	482/93

\* cited by examiner

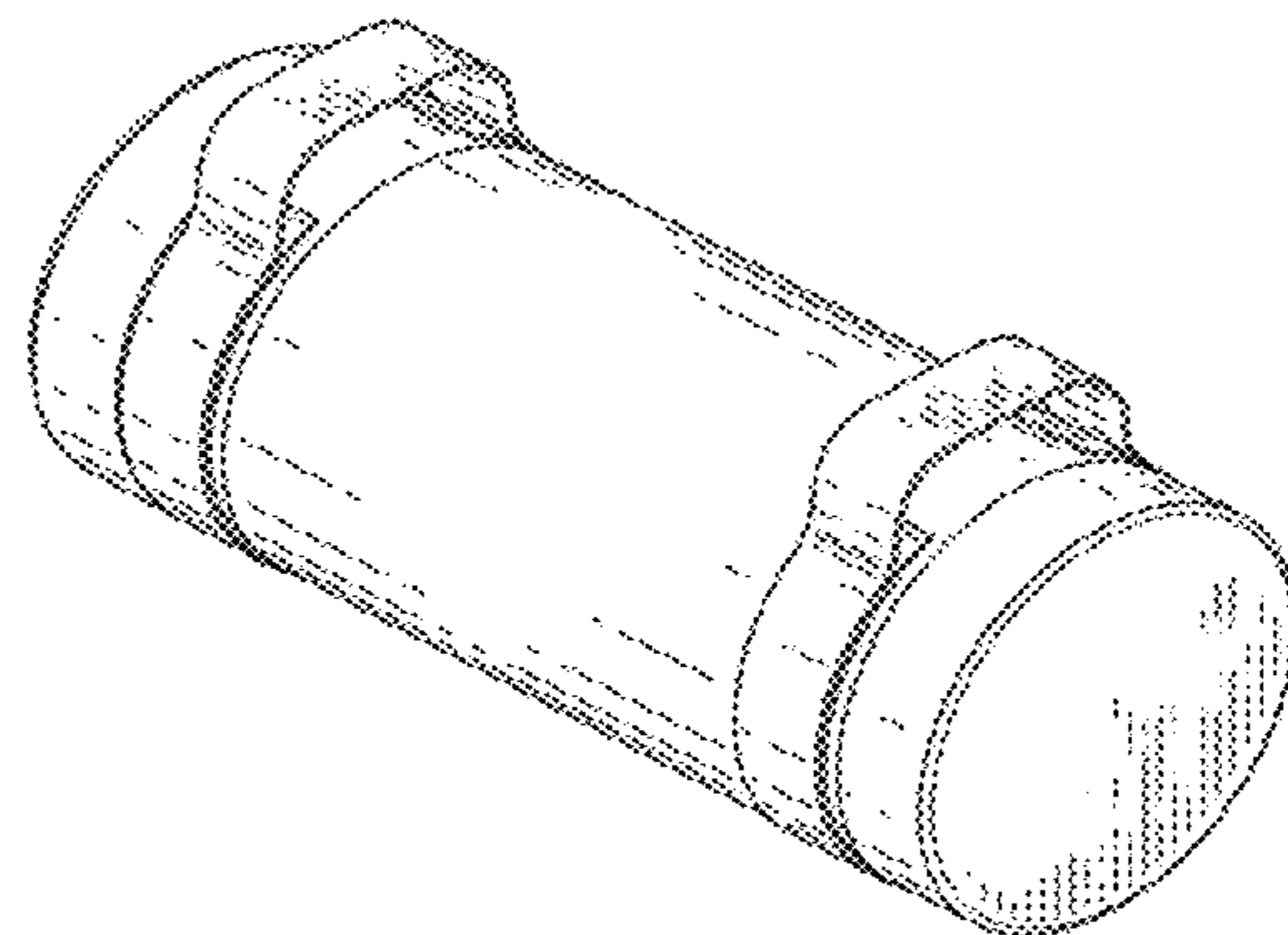
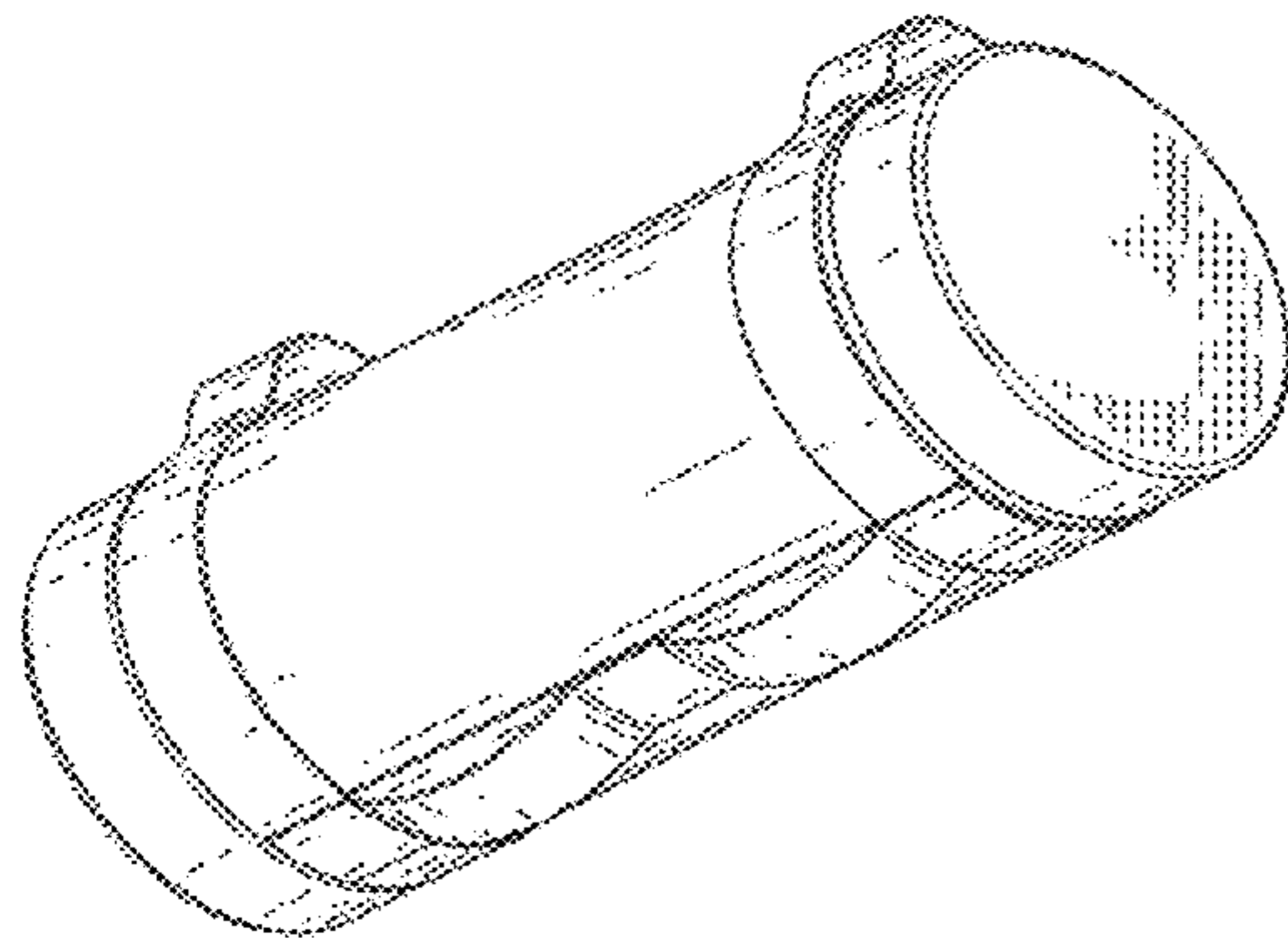
*Primary Examiner* — Susan E Krakower  
(74) *Attorney, Agent, or Firm* — Richard M. Goldberg

(57) **CLAIM**  
The ornamental design for a weighted bag for exercise, as shown and described.

**DESCRIPTION**

FIG. 1 is a bottom, front perspective view of a weighted bag for exercise of my design;  
FIG. 2 is a top, rear perspective view thereof;  
FIG. 3 is a bottom plan view thereof;  
FIG. 4 is a front elevational view thereof, with the rear elevational view being the same;  
FIG. 5 is a top plan view thereof; and,  
FIG. 6 is a right side elevational view thereof, with the left side elevational view being the same.

**1 Claim, 3 Drawing Sheets**



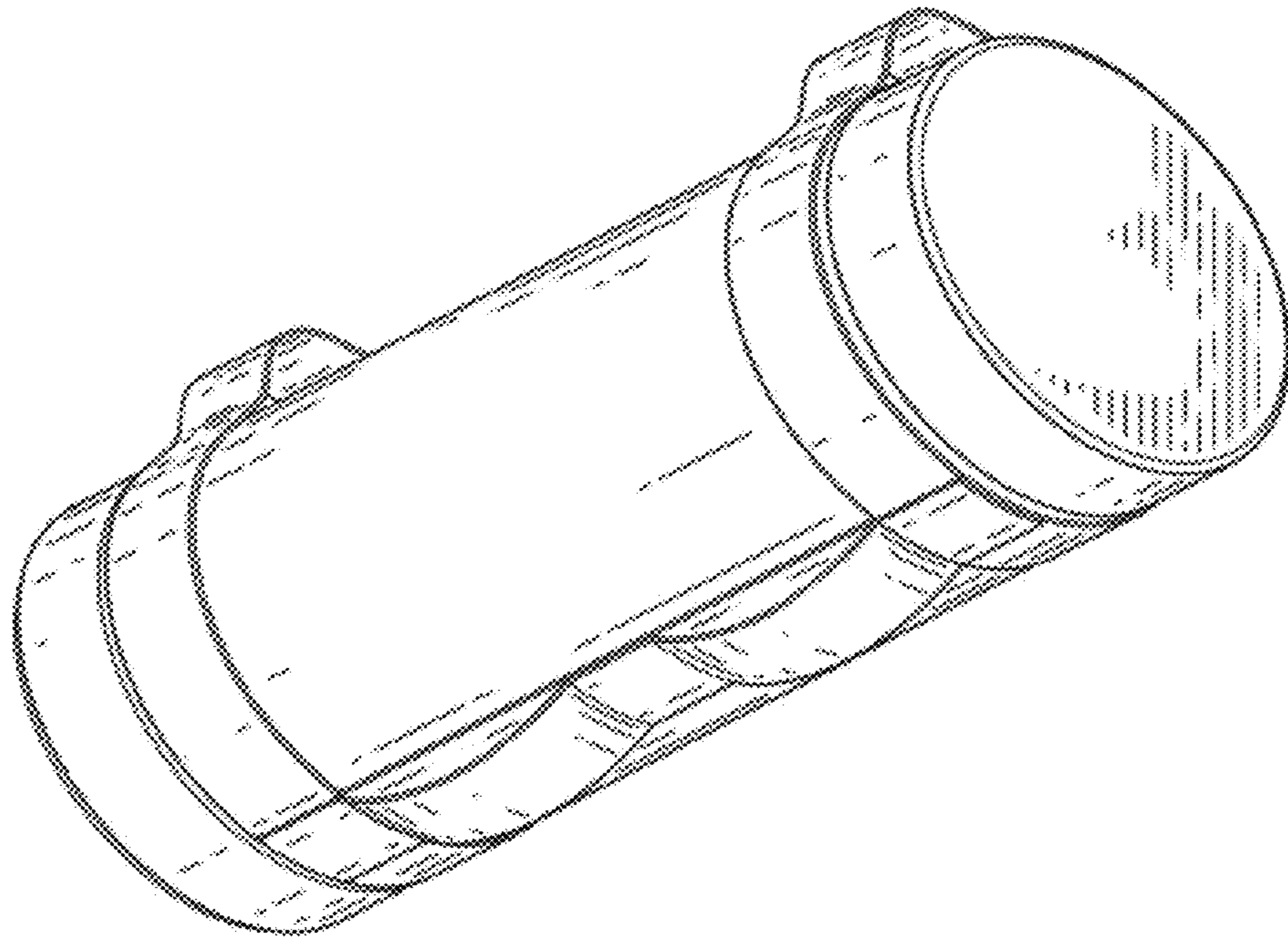


FIG. 1

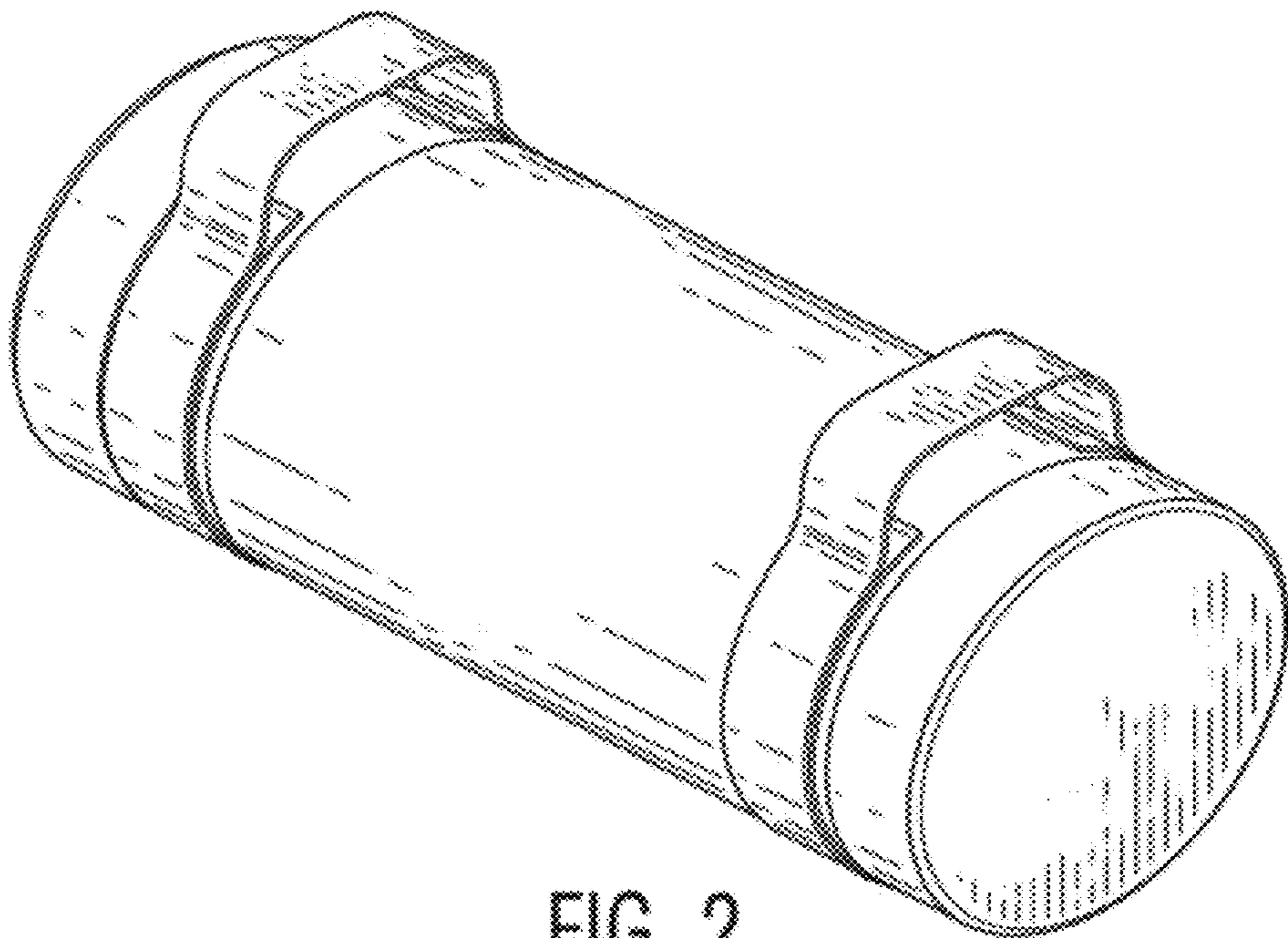


FIG. 2

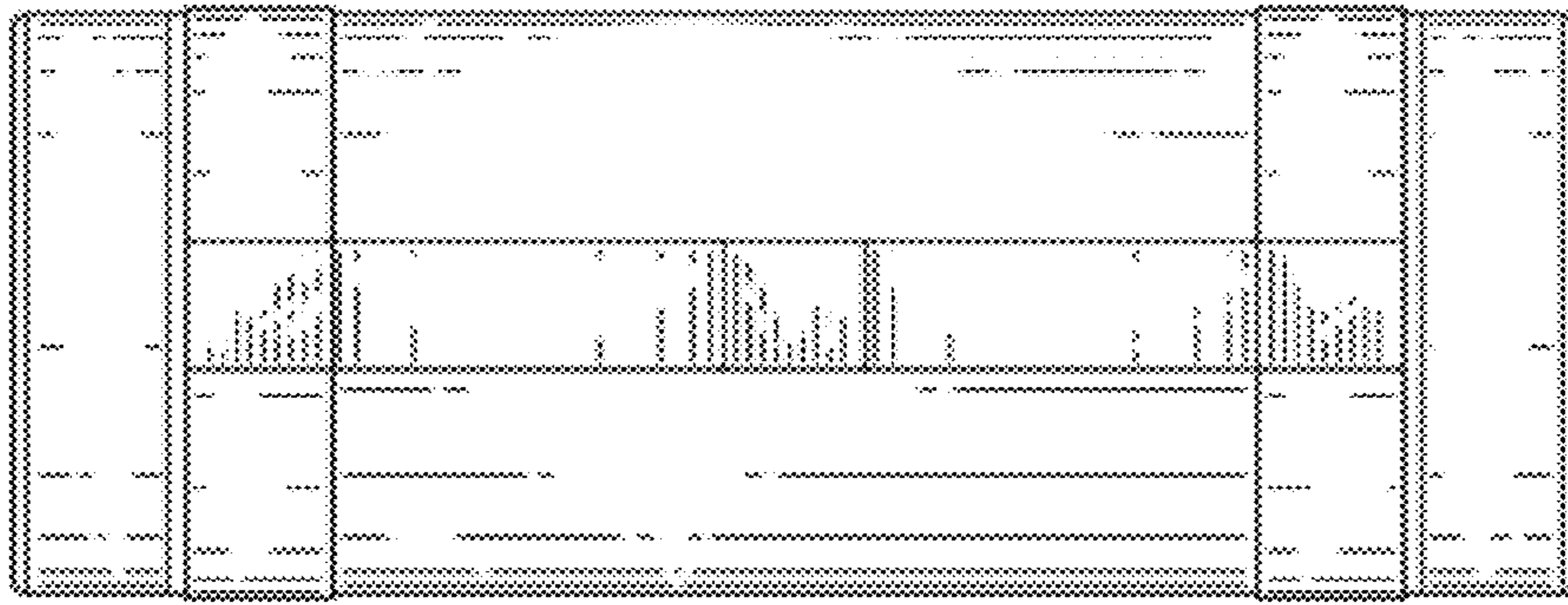


FIG. 3

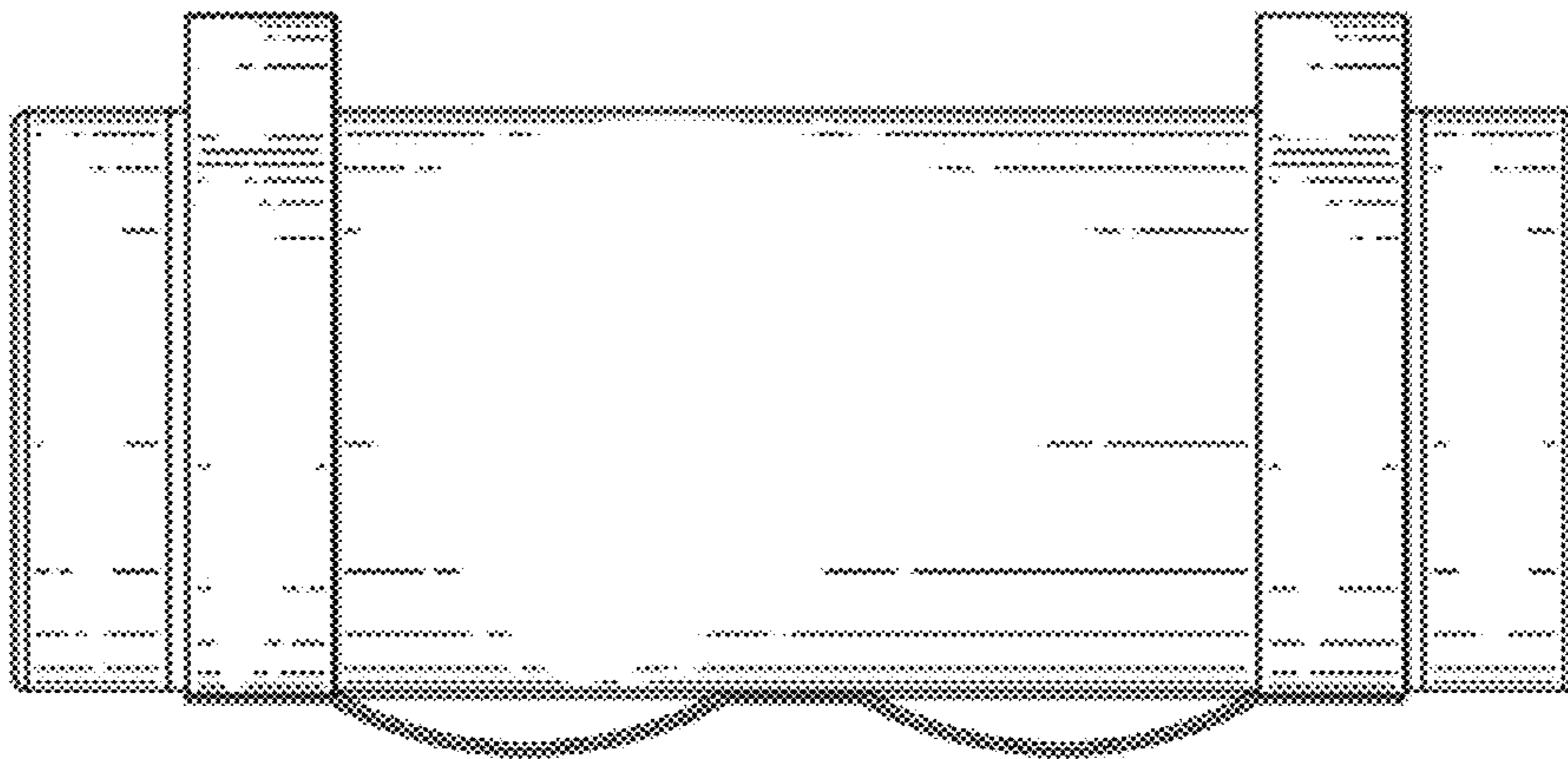


FIG. 4

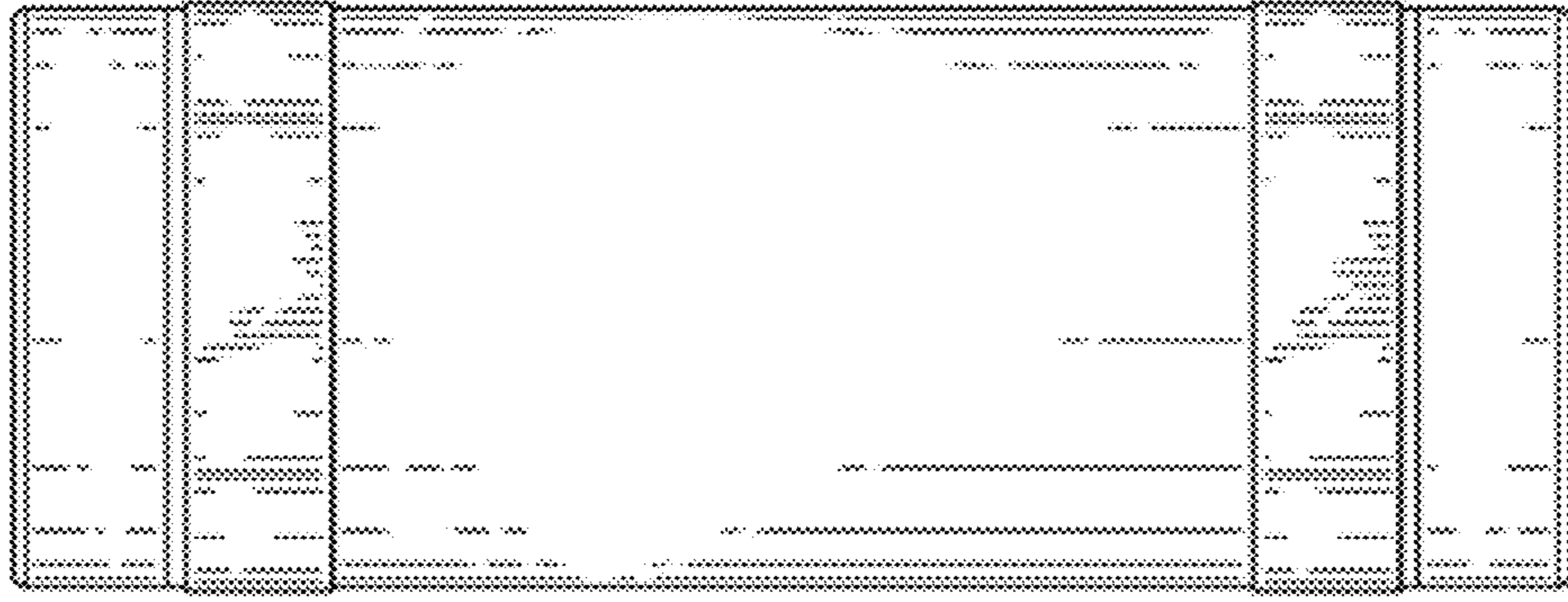


FIG. 5

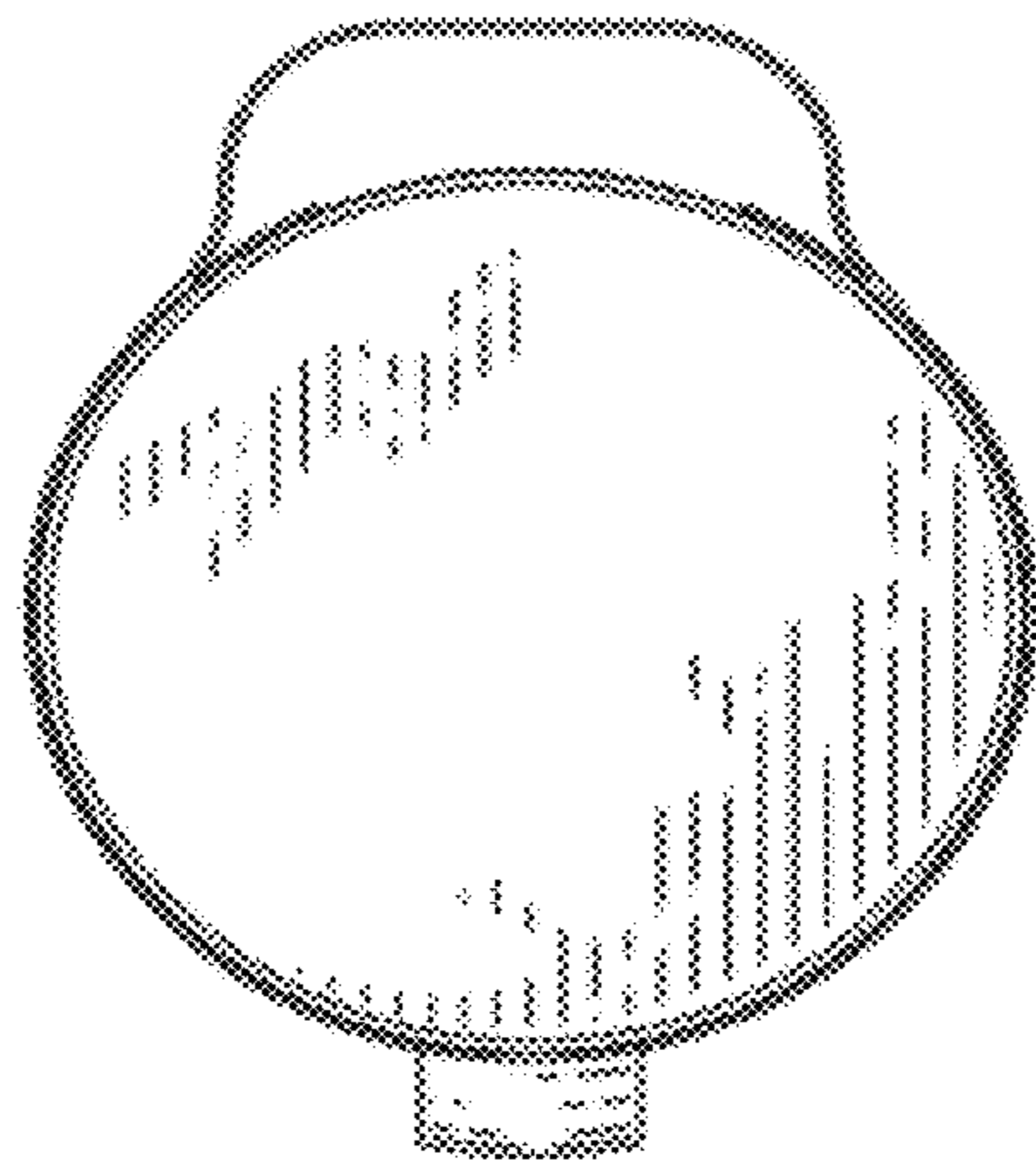


FIG. 6