



US00D672407S

(12) **United States Design Patent**  
**Nakayama**

(10) **Patent No.:** **US D672,407 S**

(45) **Date of Patent:** **\*\* Dec. 11, 2012**

(54) **CAR TOY**

(75) Inventor: **Kenji Nakayama**, Tokyo (JP)

(73) Assignee: **Tomy Company, Ltd.**, Tokyo (JP)

(\*\*) Term: **14 Years**

(21) Appl. No.: **29/347,839**

(22) Filed: **Jun. 21, 2010**

(30) **Foreign Application Priority Data**

Dec. 25, 2009 (JP) ..... 2009-030280

(51) **LOC (9) Cl.** ..... **21-01**

(52) **U.S. Cl.** ..... **D21/550**

(58) **Field of Classification Search** ..... D21/533,  
D21/538, 541, 542, 548-551, 557, 562; D12/87,  
D12/93, 96-98, 91, 92; 446/431, 435, 454,  
446/456, 465, 470, 6  
See application file for complete search history.

(56) **References Cited**

**U.S. PATENT DOCUMENTS**

D246,613 S \* 12/1977 Ogawa ..... D21/550

D317,486 S \* 6/1991 Fujinami ..... D21/550

D318,888 S \* 8/1991 Yoshino ..... D21/550  
D359,082 S \* 6/1995 Aker et al. .... D21/550  
D496,075 S \* 9/2004 Byrne ..... D21/550  
D509,264 S \* 9/2005 Wei ..... D21/550

\* cited by examiner

*Primary Examiner* — Robert M Spear

*Assistant Examiner* — Rashida C McCoy

(74) *Attorney, Agent, or Firm* — Staas & Halsey LLP

(57) **CLAIM**

The ornamental design for a car toy, as shown and described.

**DESCRIPTION**

FIG. 1 is a front perspective view of the car toy showing my design;

FIG. 2 is front view thereof;

FIG. 3 is rear view thereof;

FIG. 4 is a left side view thereof;

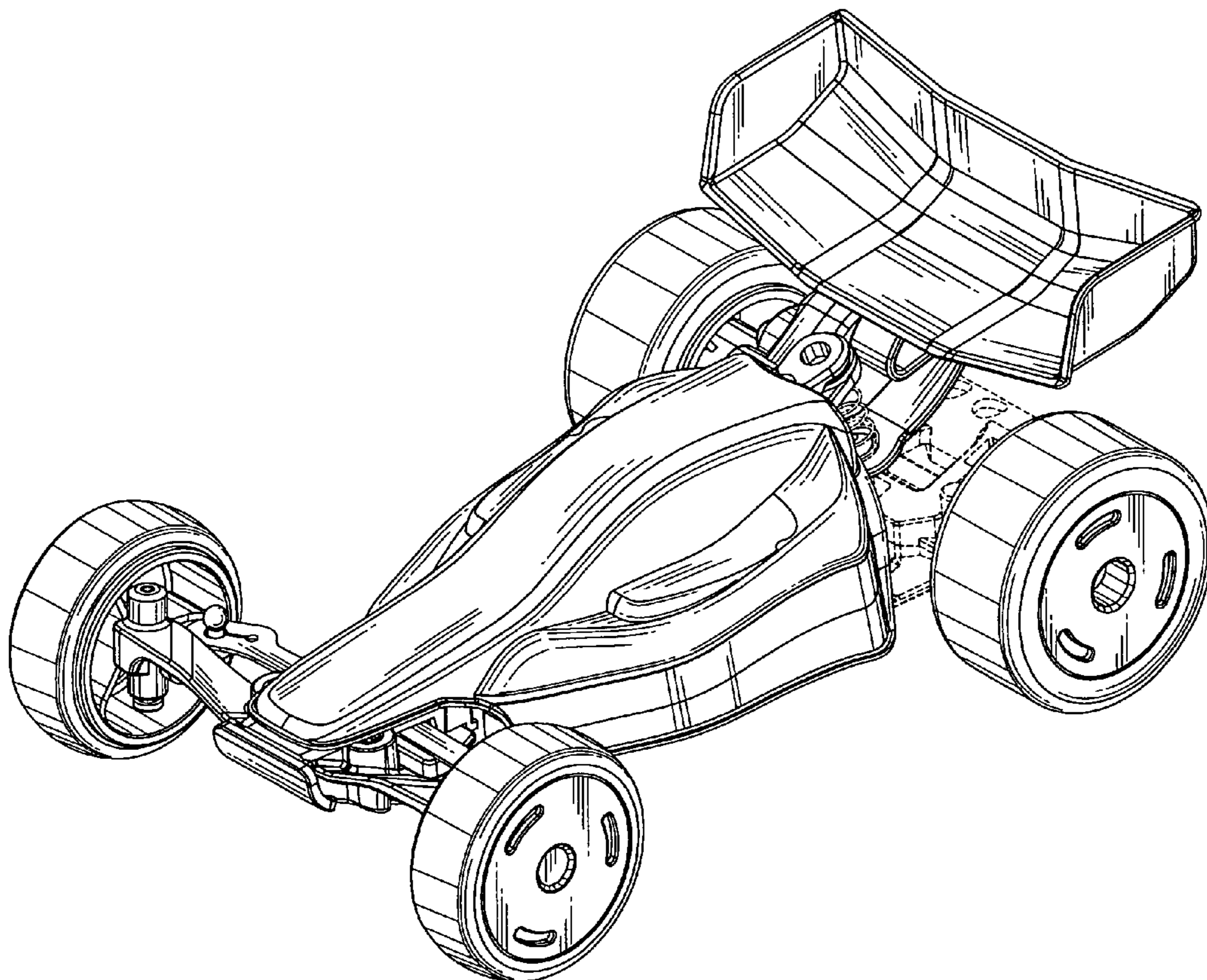
FIG. 5 is right side view thereof;

FIG. 6 is a top view thereof; and,

FIG. 7 is bottom view thereof.

The portions of the article shown in broken lines form no part of the claimed design.

**1 Claim, 4 Drawing Sheets**



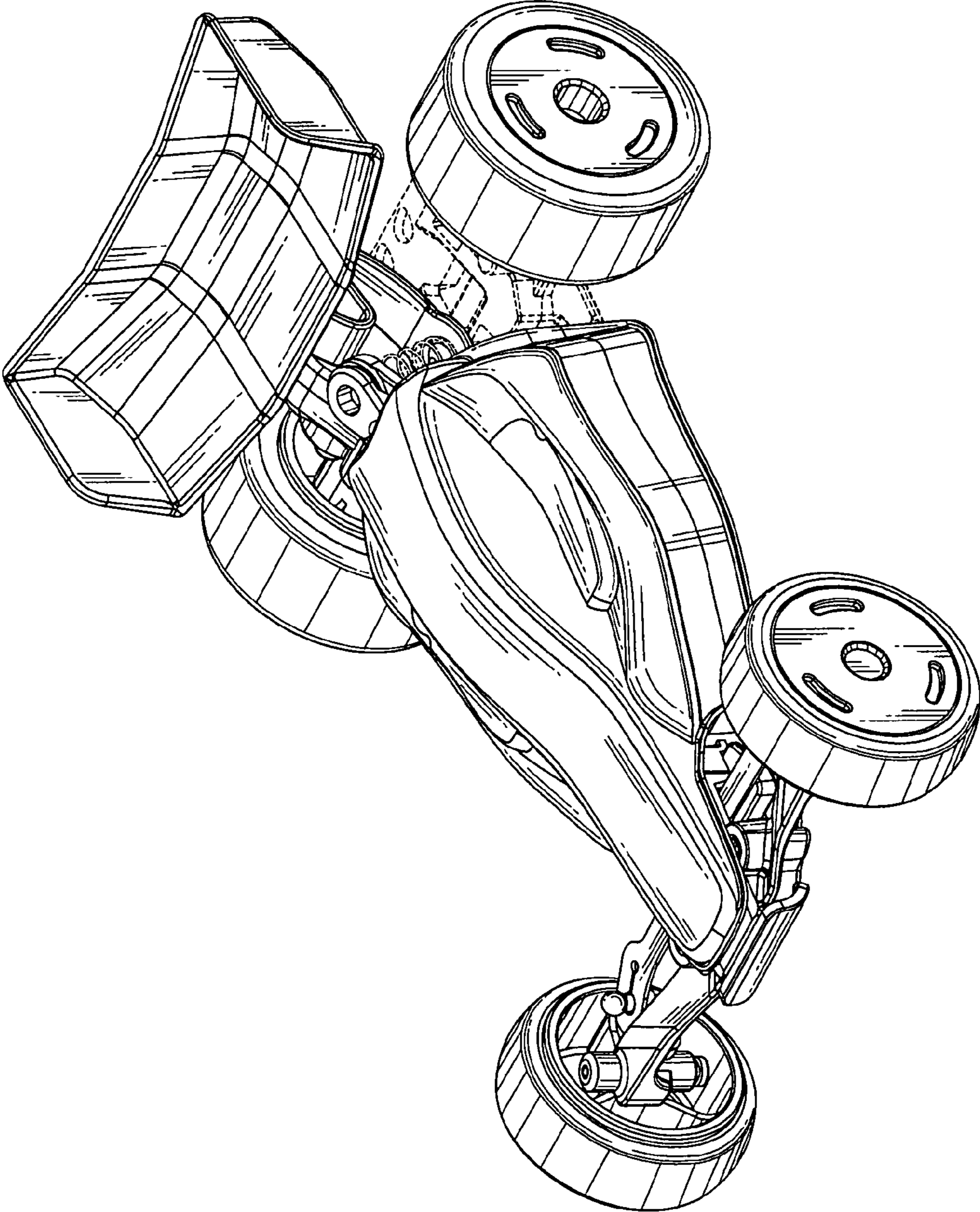


FIG. 1

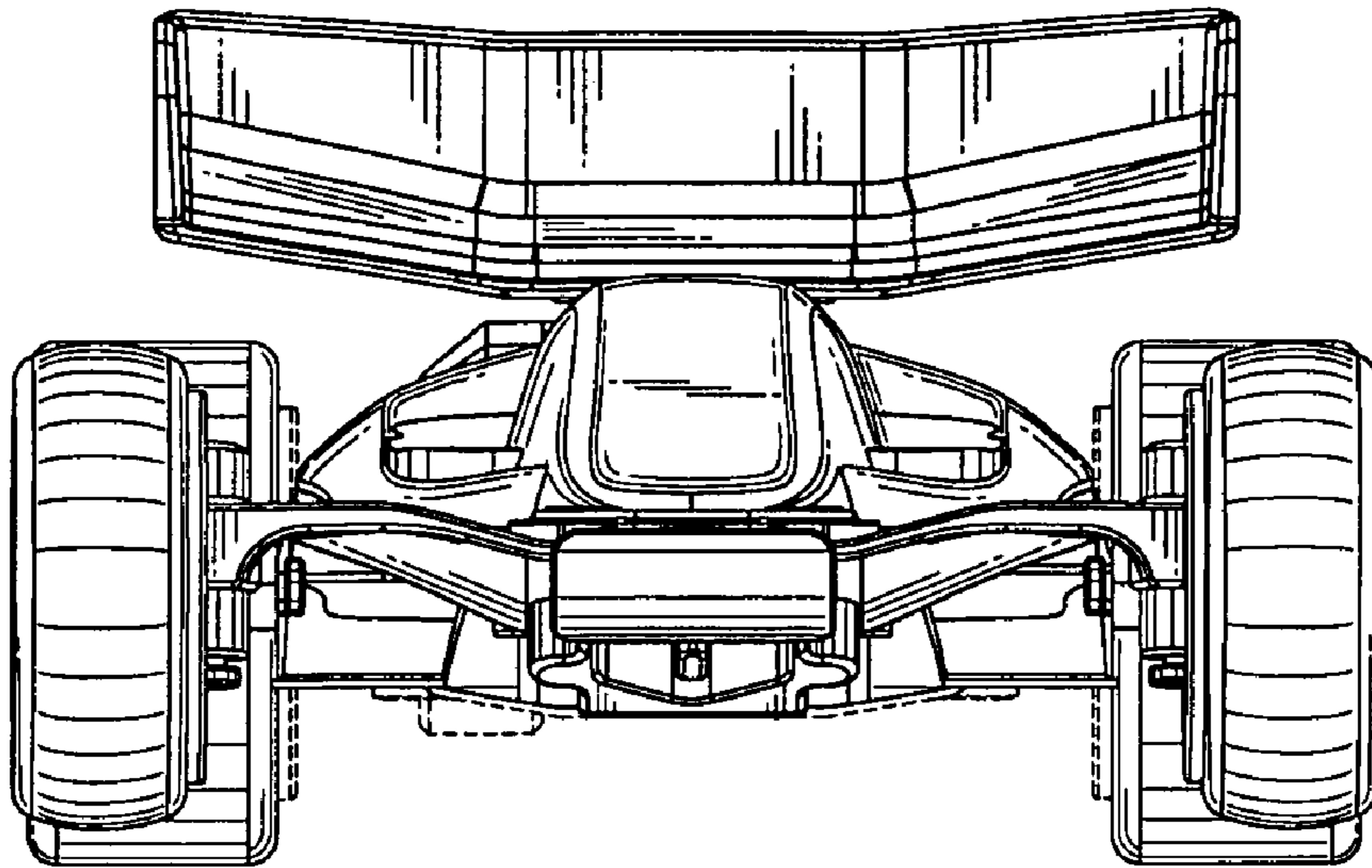


FIG. 2

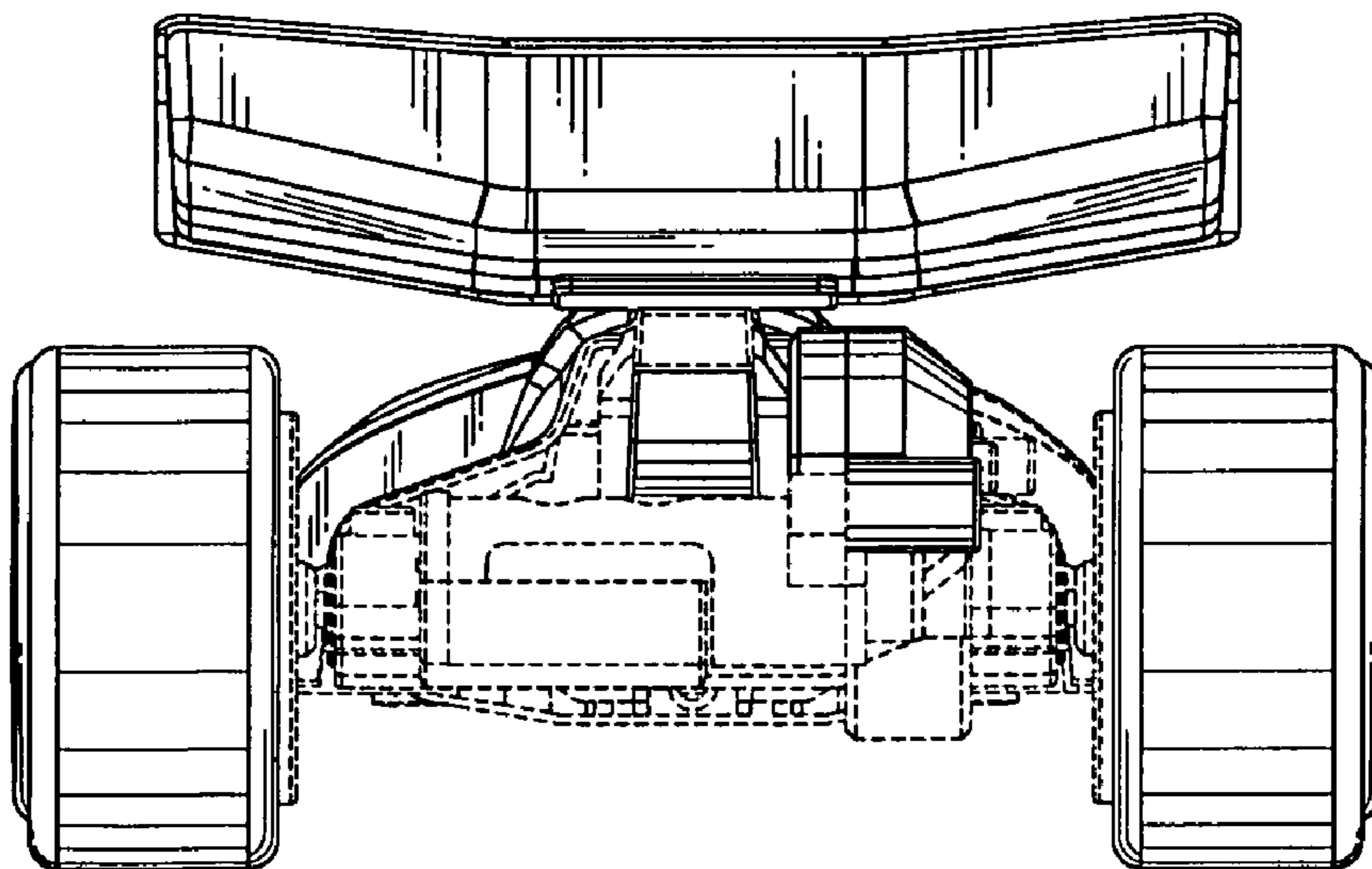
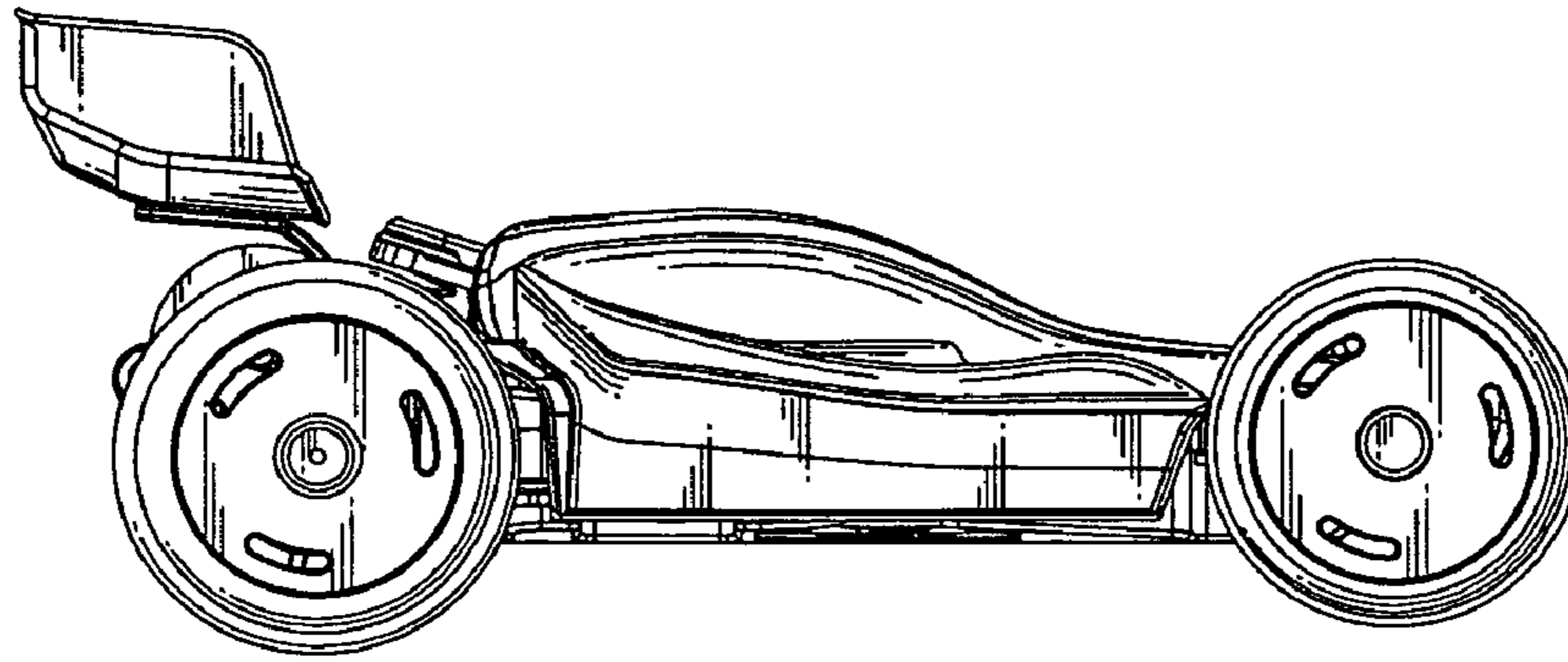
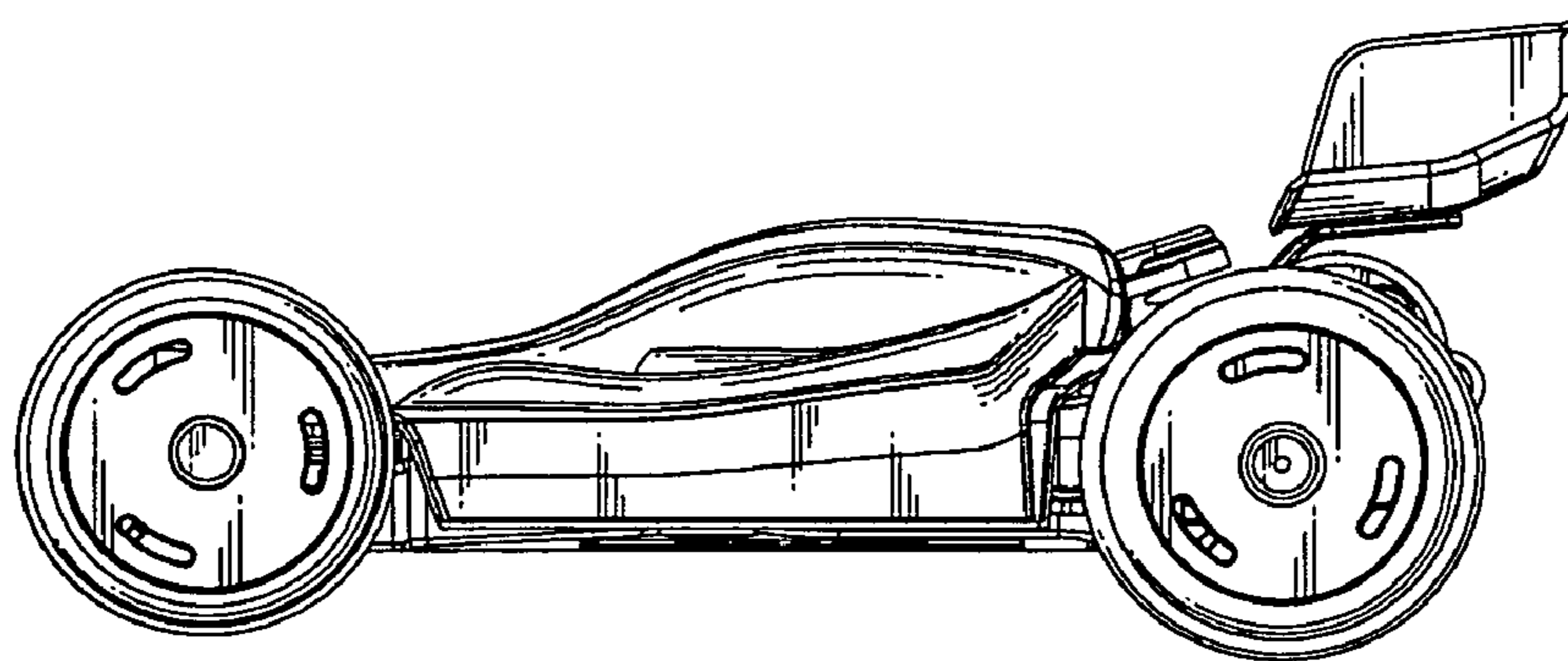


FIG. 3

***FIG. 4***



***FIG. 5***



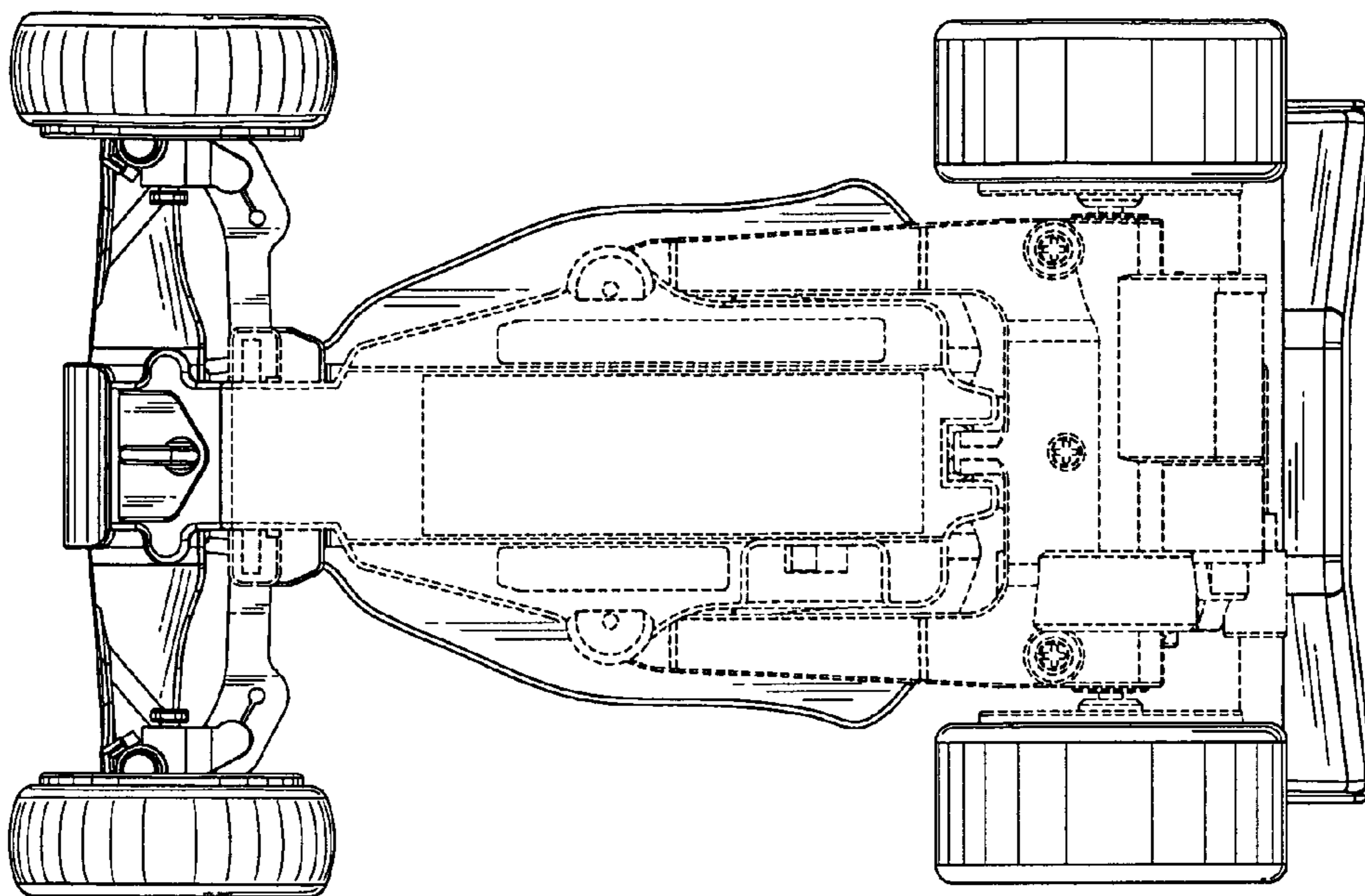


FIG. 7

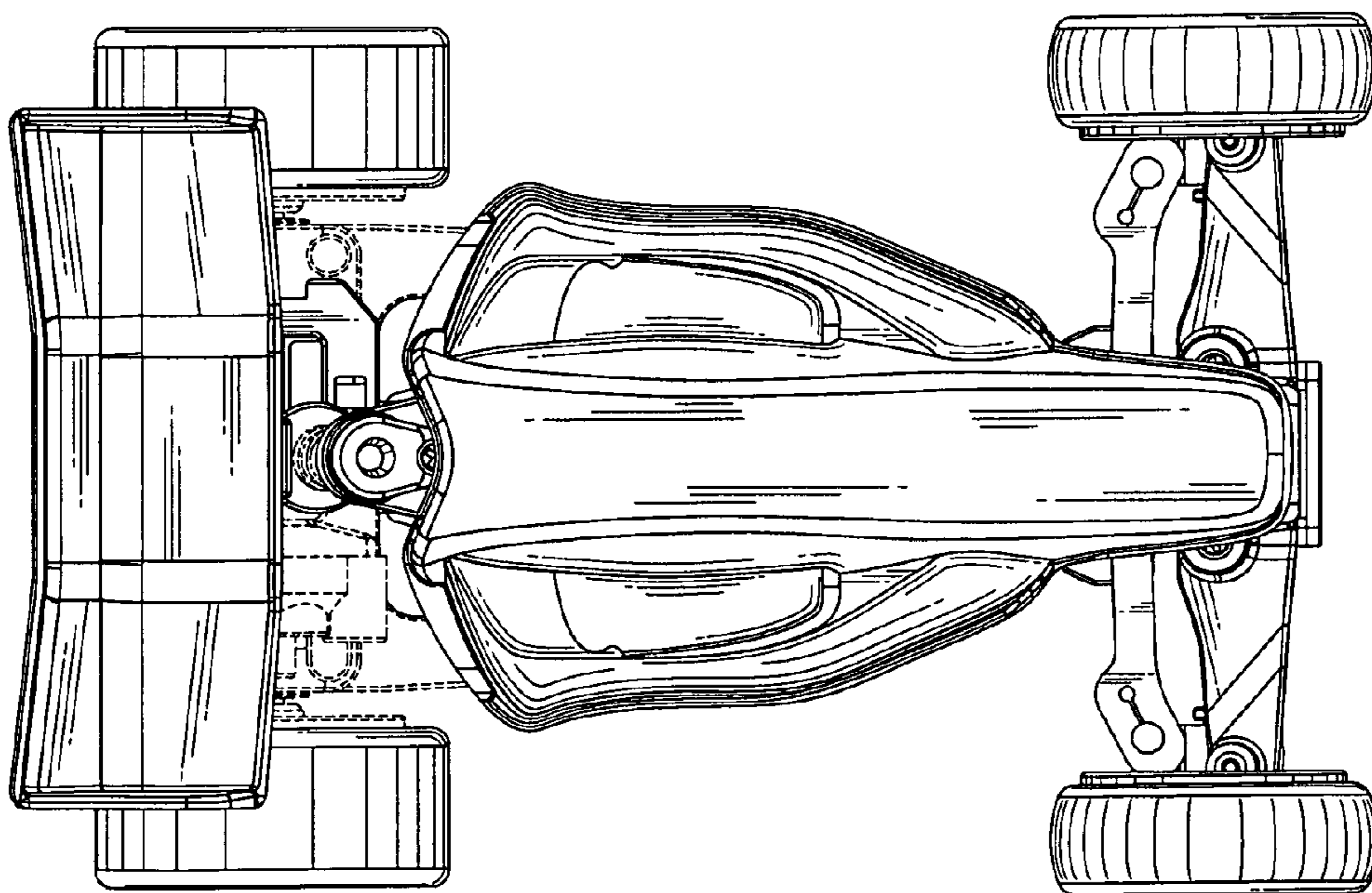


FIG. 6