



US00D672406S

(12) **United States Design Patent**
Sas

(10) **Patent No.:** **US D672,406 S**
(45) **Date of Patent:** **** Dec. 11, 2012**

(54) **BUILDING BLOCK ELEMENT FROM A TOY BUILDING SET**

D409,683 S 5/1999 Toft
D410,974 S 6/1999 Toft
D550,784 S * 9/2007 Glickman et al. D21/505

(75) Inventor: **Gabriel Sas**, Vejle (DK)

FOREIGN PATENT DOCUMENTS

(73) Assignee: **Lego A/S**, Billund (DK)

AU 130210 6/1997
EM 000709589-0009 9/2007
EM 000709589-0018 9/2007
FR 975398-017 12/1997
GB 1023615 6/1985
GB 2063849 7/1997

(**) Term: **14 Years**

(21) Appl. No.: **29/390,705**

* cited by examiner

(22) Filed: **Apr. 28, 2011**

Primary Examiner — Cynthia M Chin

(51) **LOC (9) Cl.** **21-01**

(74) *Attorney, Agent, or Firm* — Day Pitney LLP

(52) **U.S. Cl.** **D21/503**

(58) **Field of Classification Search** D21/453,
D21/484, 489, 490, 492, 493, 504, 505, 564,
D21/565, 802, 818; 446/168–174, 84, 89,
446/108, 112, 114, 116, 124–128, 429, 444–447;
463/58–69; 104/60, 69

(57) **CLAIM**

The ornamental design for a building block element from a toy building set, as shown and described.

See application file for complete search history.

DESCRIPTION

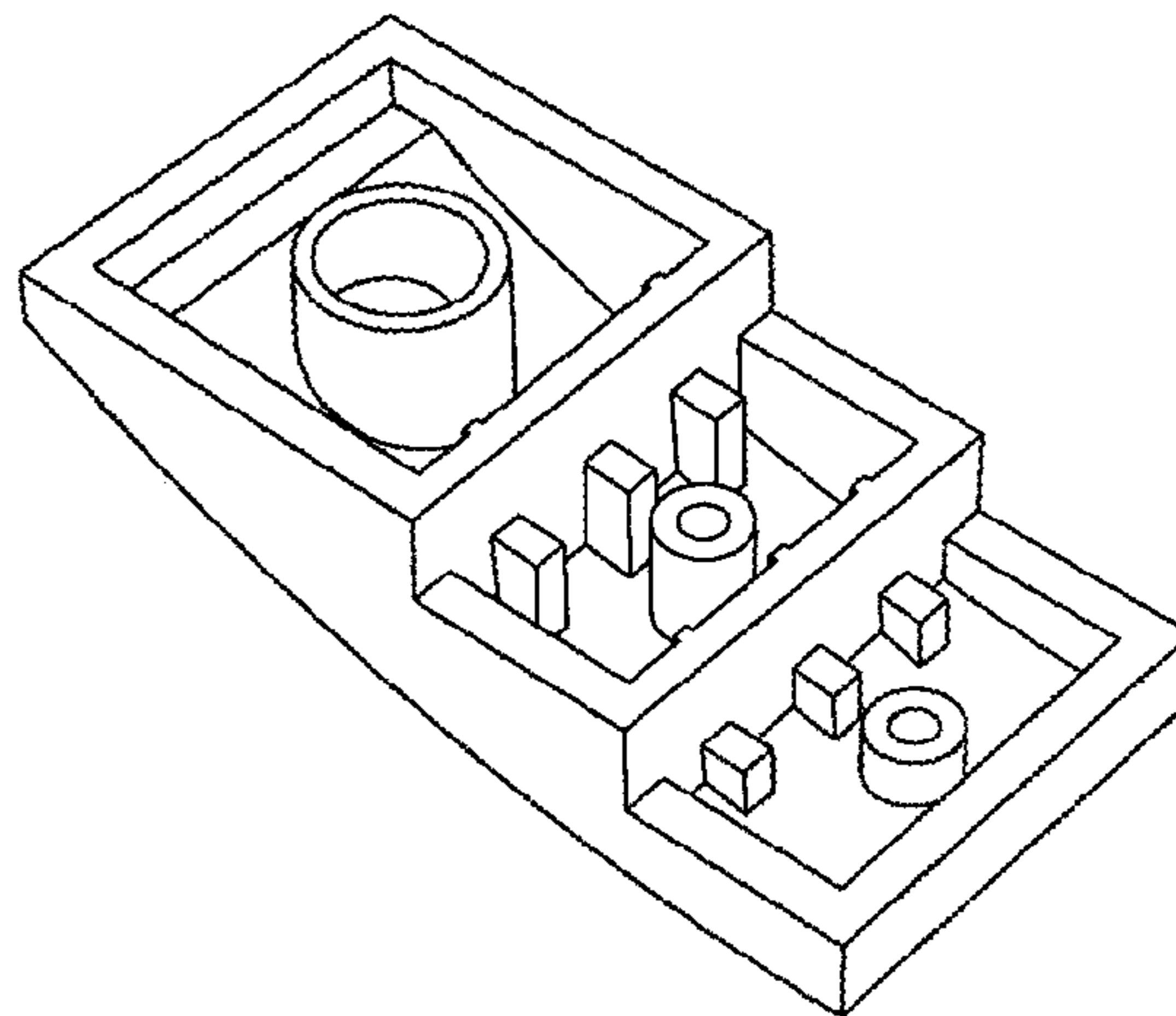
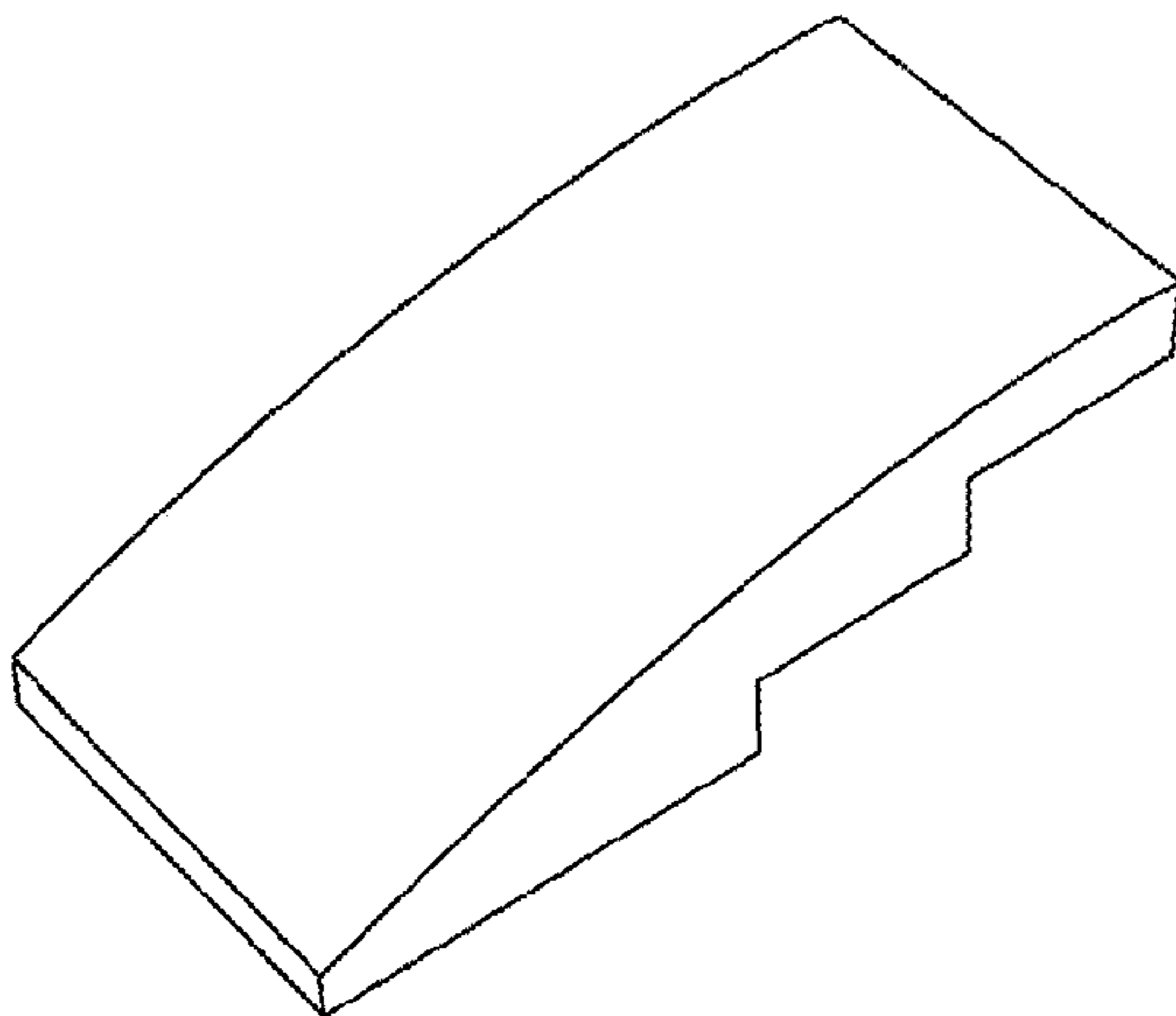
(56) **References Cited**

FIG. 1 is a top perspective view of the building block element from a toy building set of my ornamental design;
FIG. 2 is a bottom perspective view thereof;
FIG. 3 is a front elevational view thereof;
FIG. 4 is a rear elevational view thereof;
FIG. 5 is a right side view thereof;
FIG. 6 is a left side view thereof;
FIG. 7 is a top plan view thereof; and,
FIG. 8 is a bottom plan view thereof.

U.S. PATENT DOCUMENTS

D285,705 S * 9/1986 Dideriksen D21/505
D304,042 S * 10/1989 Poulsen D21/453
D318,077 S * 7/1991 Larsen et al. D21/505
D330,056 S * 10/1992 Pagel D21/505
D332,642 S * 1/1993 Pagel D21/489
D335,153 S * 4/1993 Skov D21/492
D335,508 S * 5/1993 Skov D21/489
D353,629 S * 12/1994 Skov D21/504
D409,260 S * 5/1999 Toft D21/505

1 Claim, 8 Drawing Sheets



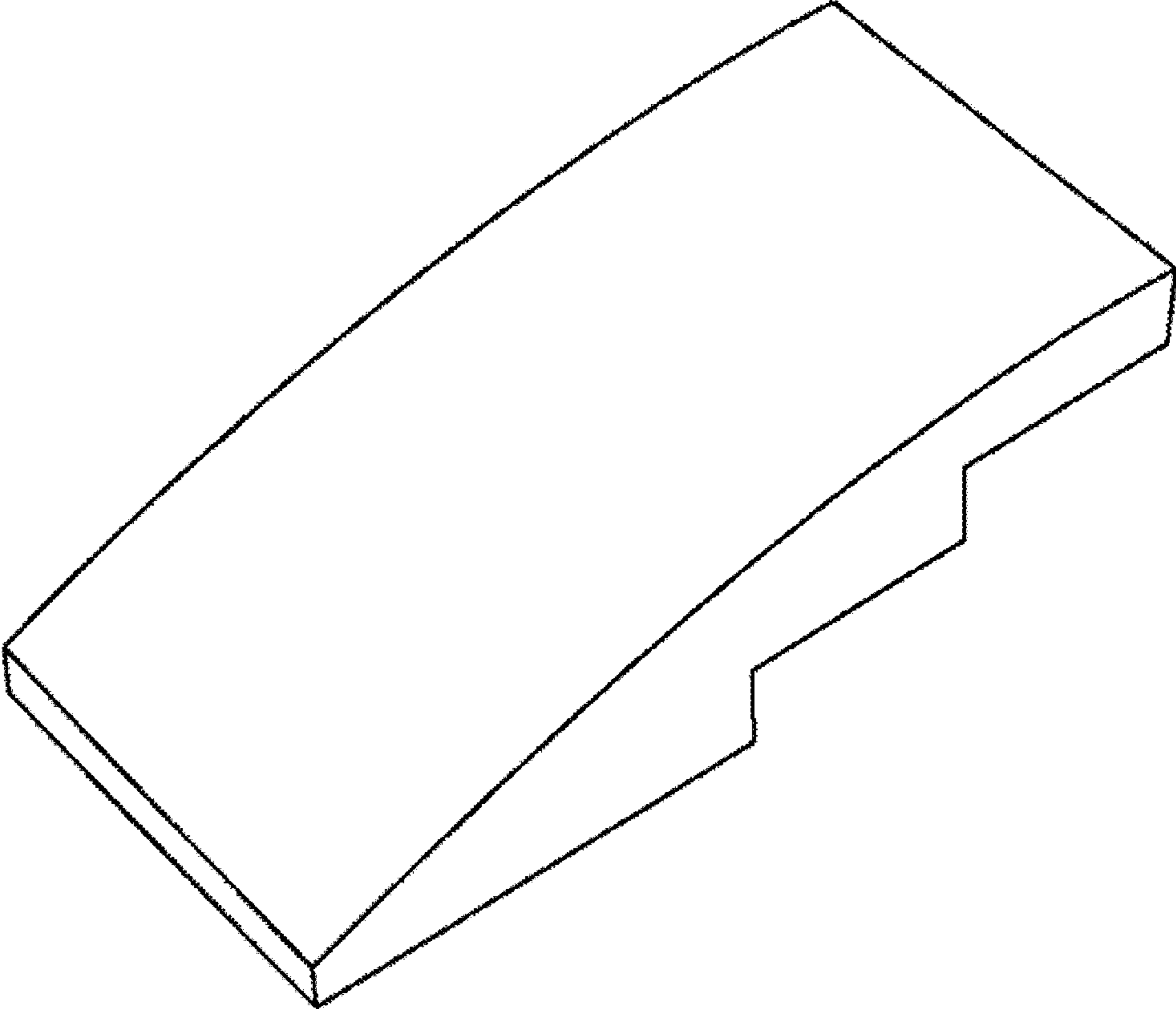


FIG. 1

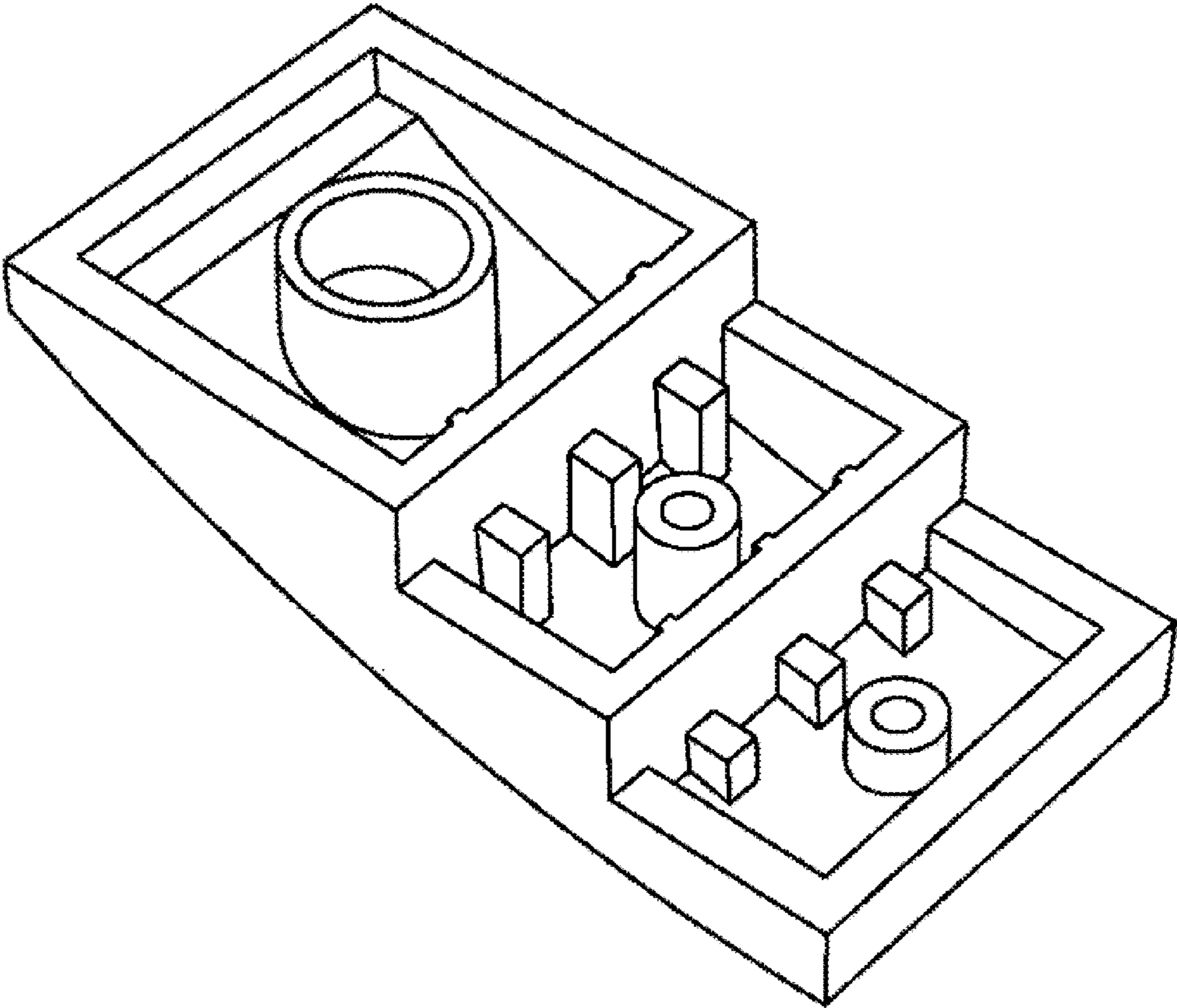


FIG. 2

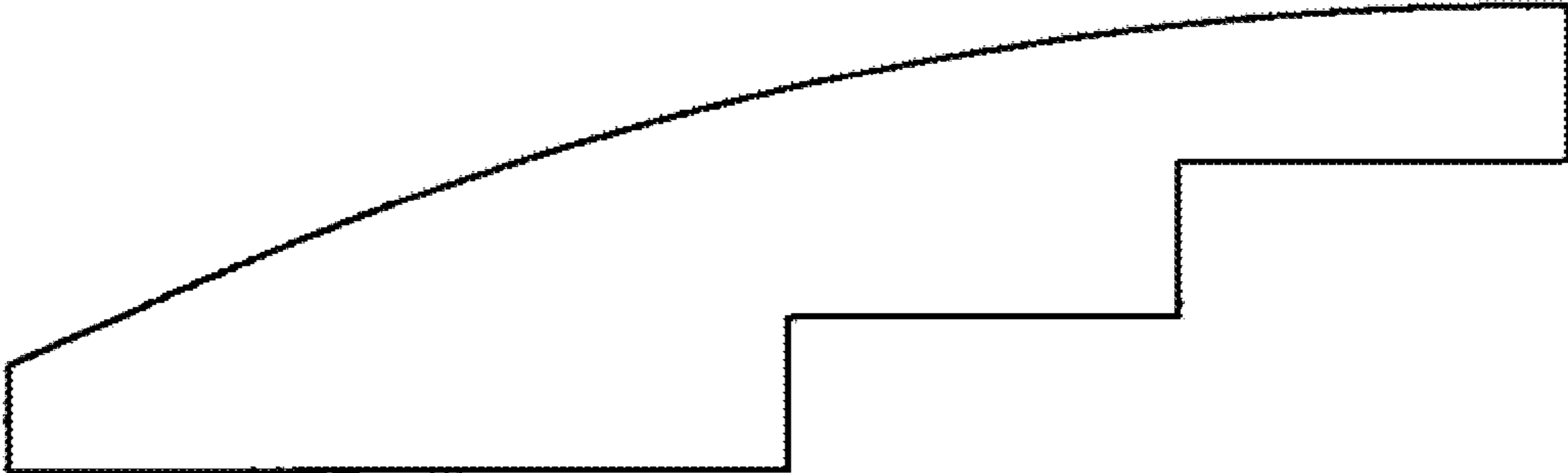


FIG. 3

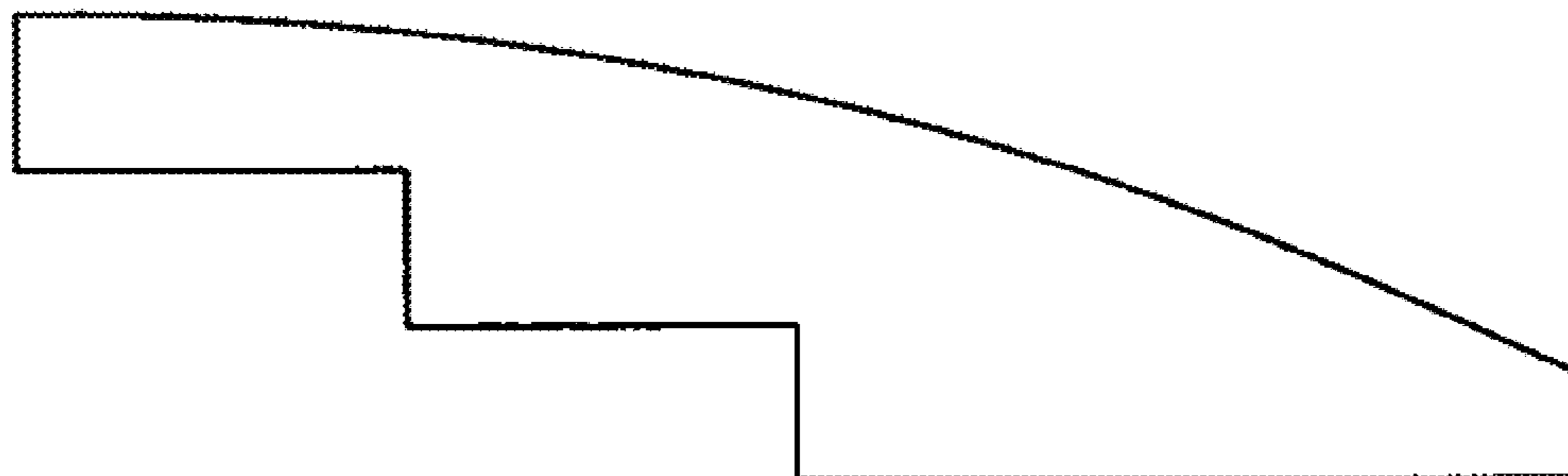


FIG. 4

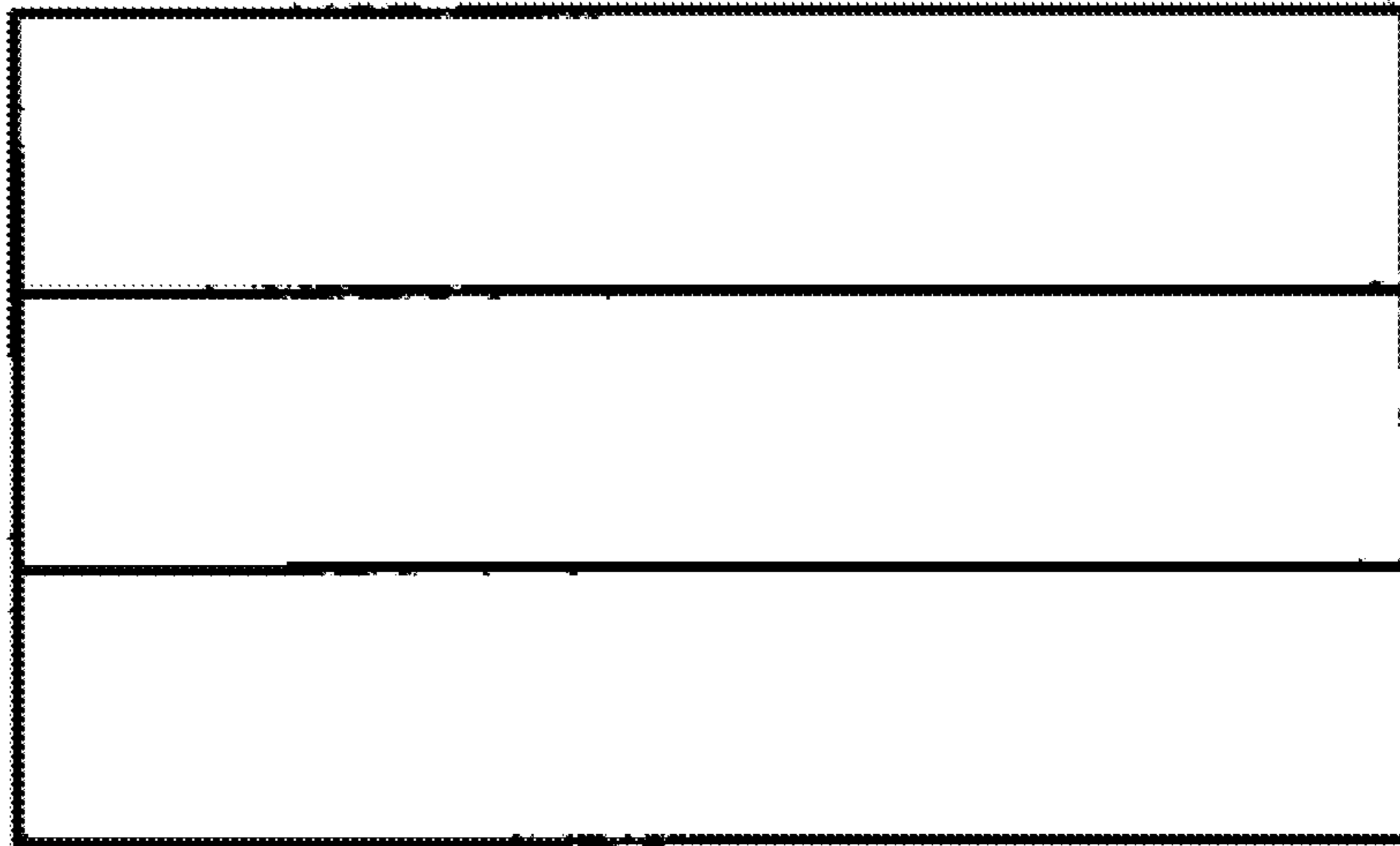


FIG. 5

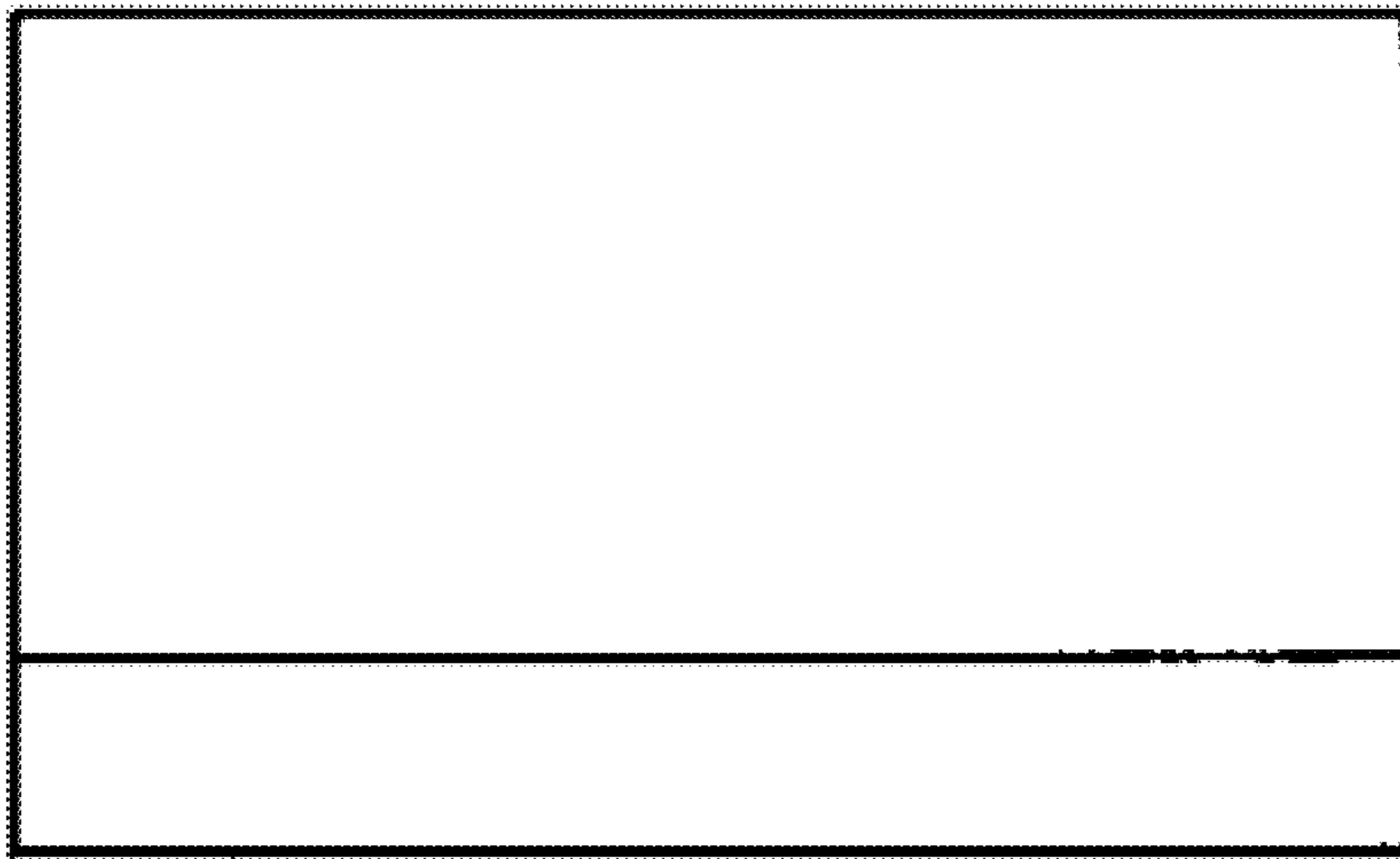


FIG. 6

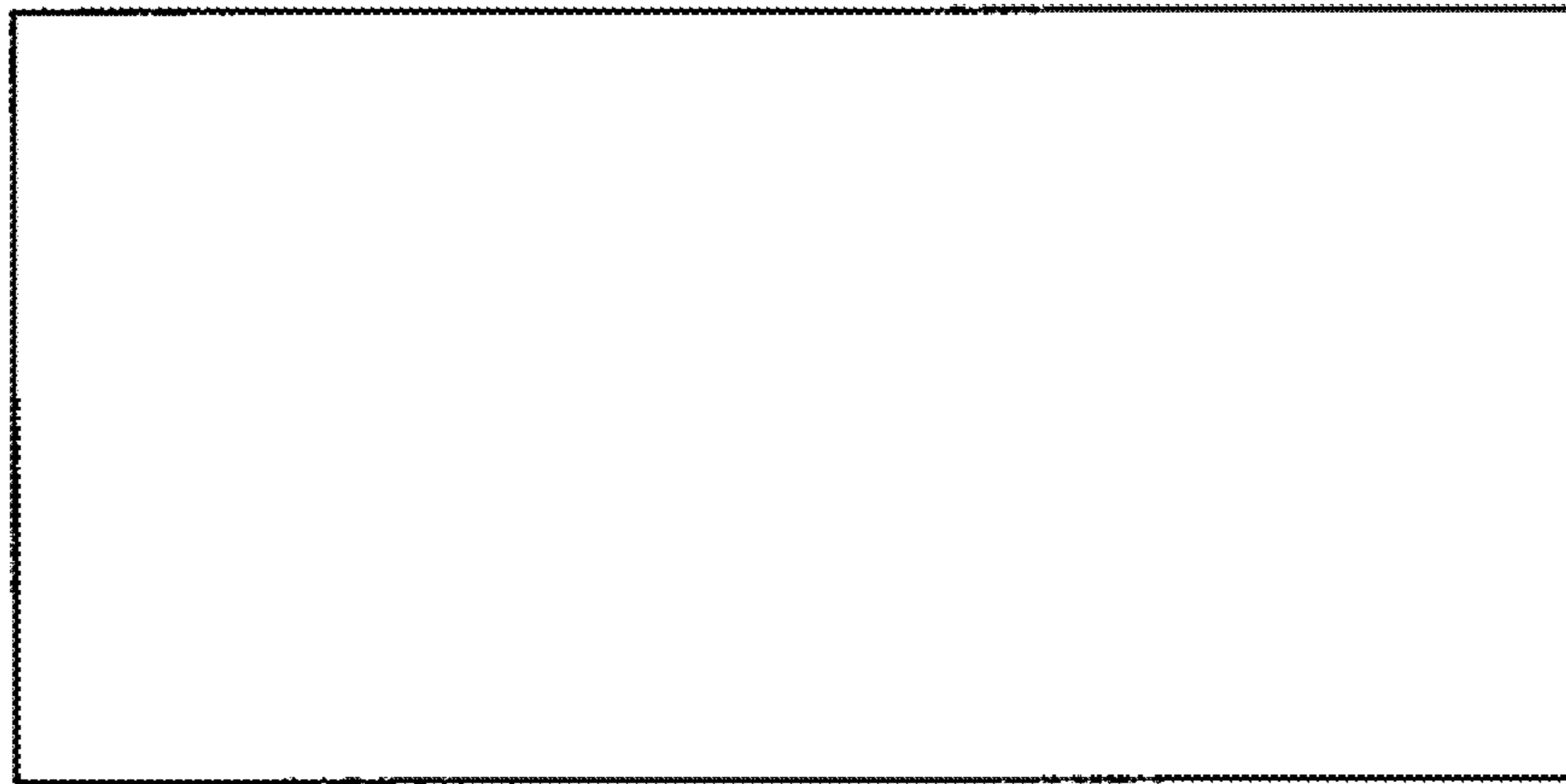


FIG. 7

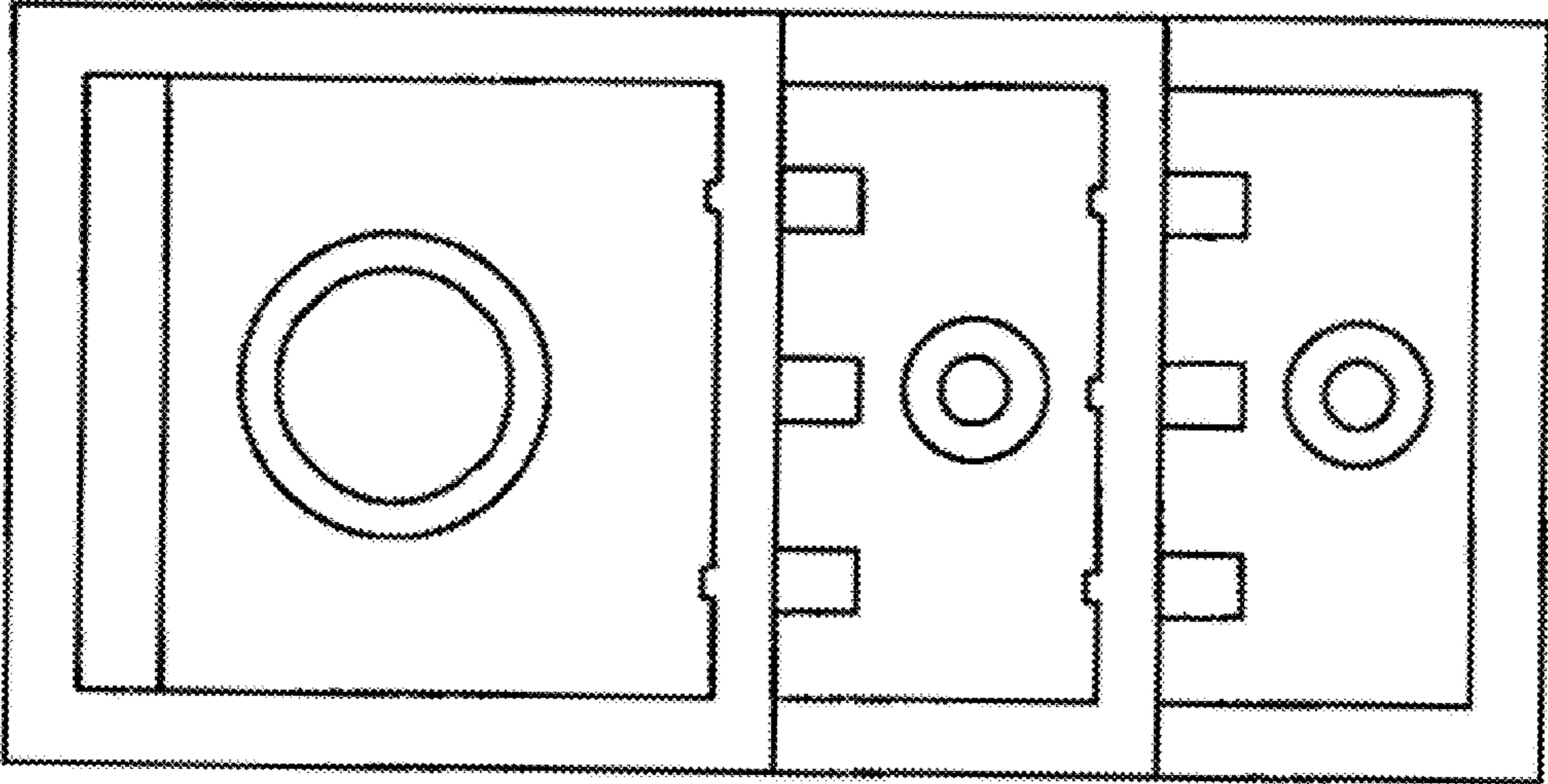


FIG. 8