



US00D672405S

(12) **United States Design Patent**
MacAdam

(10) **Patent No.:** **US D672,405 S**

(45) **Date of Patent:** **** Dec. 11, 2012**

(54) **TOY BUILDING BLOCK ELEMENT**

(75) **Inventor:** **Ashley MacAdam, Aarhus C (DK)**

(73) **Assignee:** **Lego A/S, Billund (DK)**

(**) **Term:** **14 Years**

(21) **Appl. No.:** **29/390,704**

(22) **Filed:** **Apr. 28, 2011**

(30) **Foreign Application Priority Data**

Jan. 25, 2011 (EM) 001810532-0005

(51) **LOC (9) Cl.** **21-01**

(52) **U.S. Cl.** **D21/503**

(58) **Field of Classification Search** D21/453,
D21/484, 489, 490, 492, 493, 495, 504, 505,
D21/564, 565, 802, 818; 446/168-174, 84,
446/89, 108, 112, 114, 116, 124-128, 429,
446/444-447; 463/58-69; 104/60, 69

See application file for complete search history.

(56) **References Cited**

U.S. PATENT DOCUMENTS

D315,754 S * 3/1991 Eggert et al. D21/492
D317,635 S * 6/1991 Eggert et al. D21/492
D328,930 S * 8/1992 Jarnros D21/504
D335,508 S * 5/1993 Skov D21/489
D354,529 S * 1/1995 Skov D21/504
D361,099 S * 8/1995 Skov D21/504

D380,787 S * 7/1997 Gabriel D21/489
D409,683 S * 5/1999 Toft
D410,974 S * 6/1999 Toft
D588,210 S * 3/2009 Croston et al. D21/503
D641,054 S * 7/2011 Clausen D21/503

FOREIGN PATENT DOCUMENTS

AU 130210 6/1997
EM 000709589-0009 9/2007
EM 000709589-0018 9/2007
FR 975398-017 12/1997
GB 1023615 6/1985
GB 2063849 7/1997

* cited by examiner

Primary Examiner — Cynthia M Chin

(74) *Attorney, Agent, or Firm* — Day Pitney LLP

(57) **CLAIM**

The ornamental design for a toy building block element, as shown and described.

DESCRIPTION

FIG. 1 is a top perspective view of the toy building block element of my ornamental design;

FIG. 2 is a bottom perspective view thereof;

FIG. 3 is a front elevational view thereof;

FIG. 4 is a rear elevational view thereof;

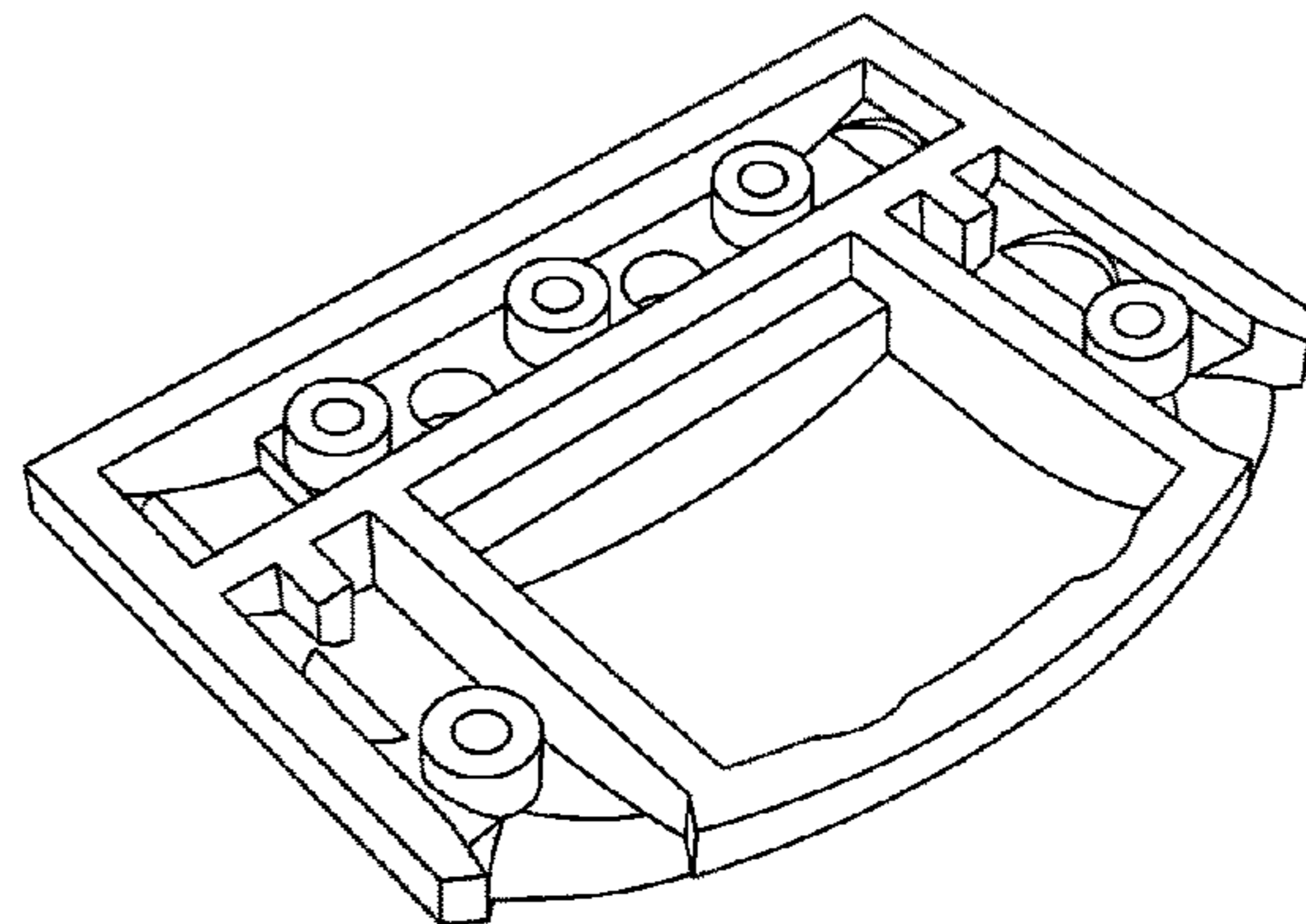
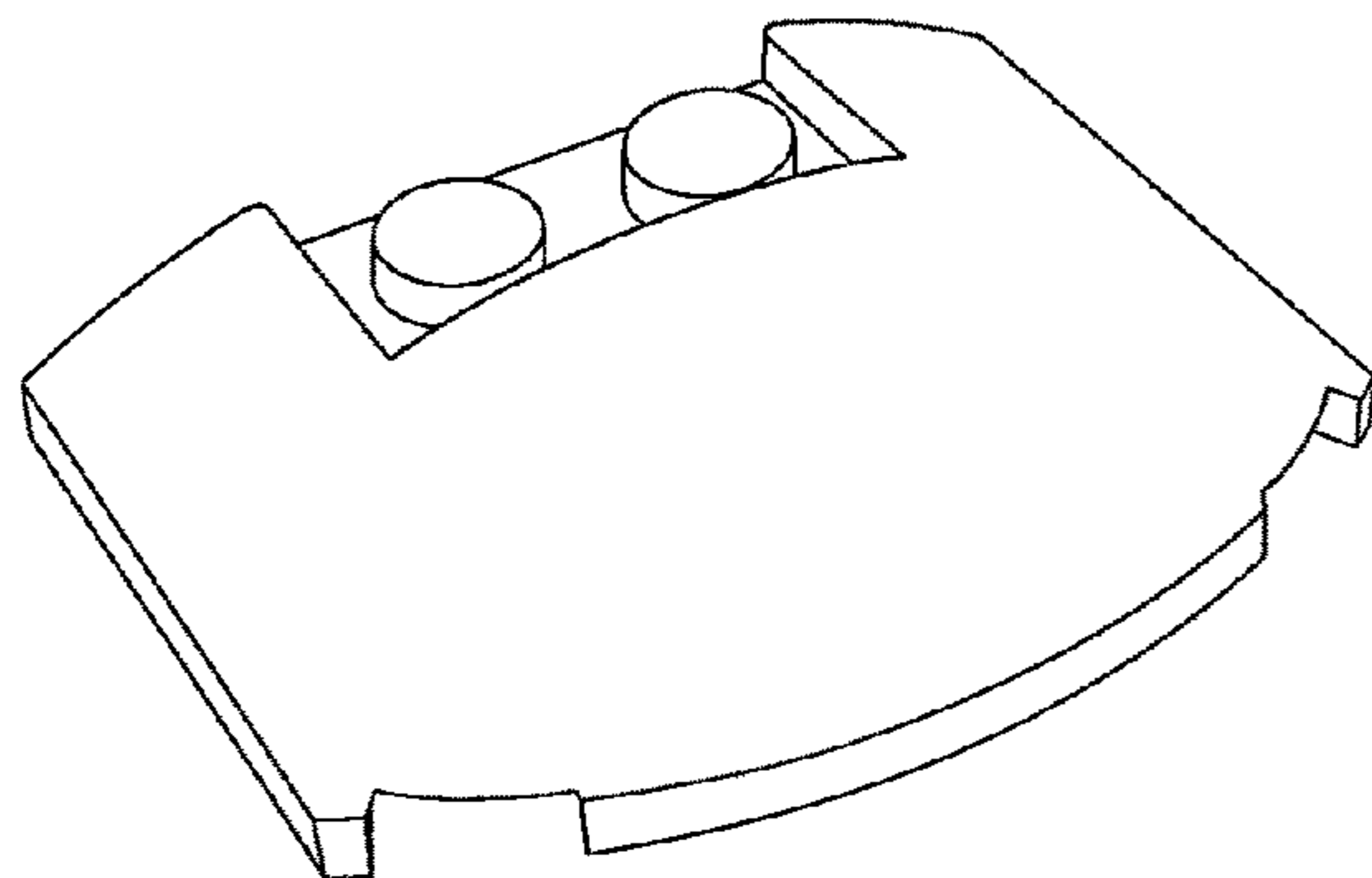
FIG. 5 is a right side view thereof;

FIG. 6 is a left side view thereof;

FIG. 7 is a top plan view thereof; and,

FIG. 8 is a bottom plan view thereof.

1 Claim, 8 Drawing Sheets



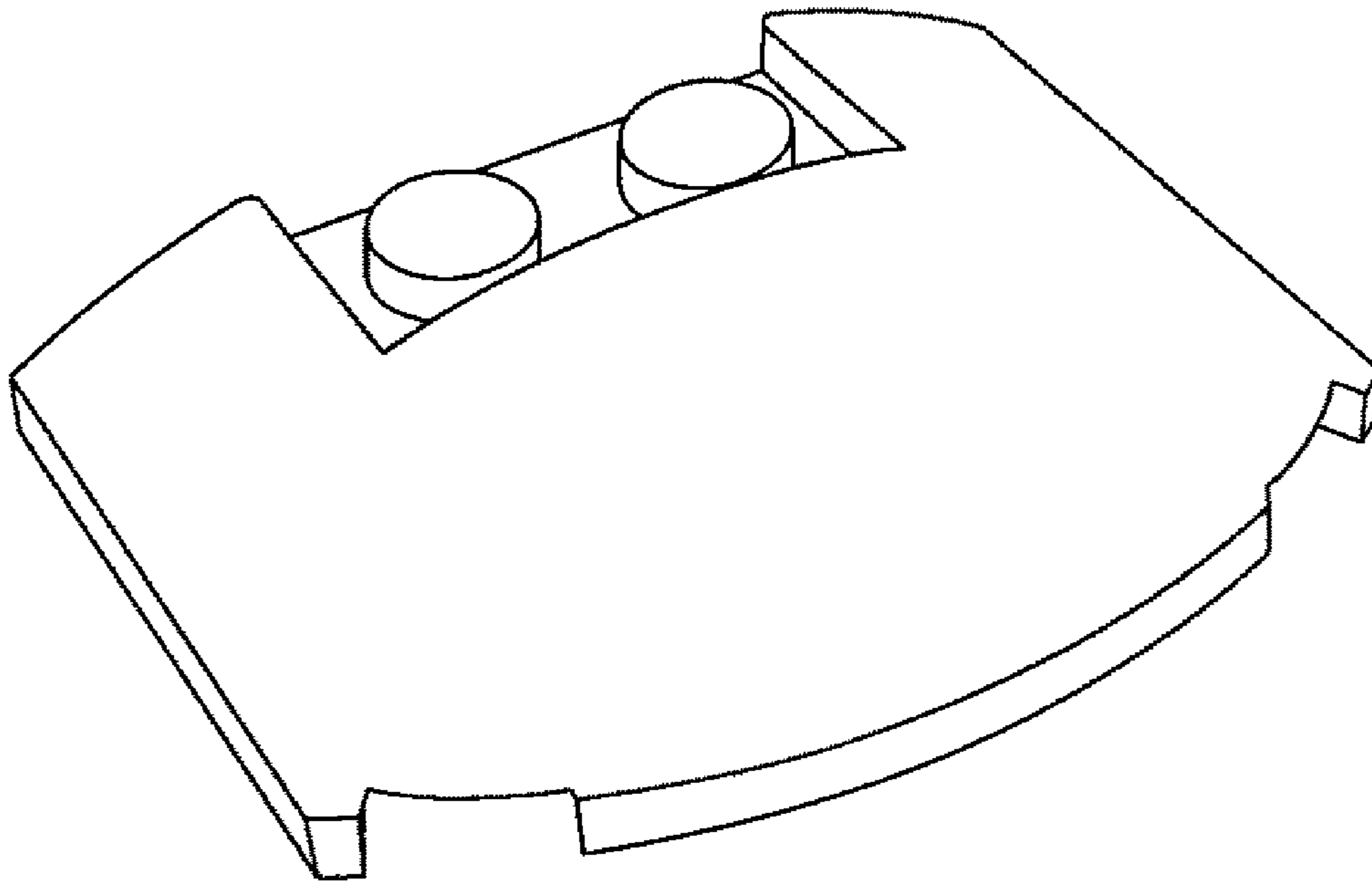


FIG. 1

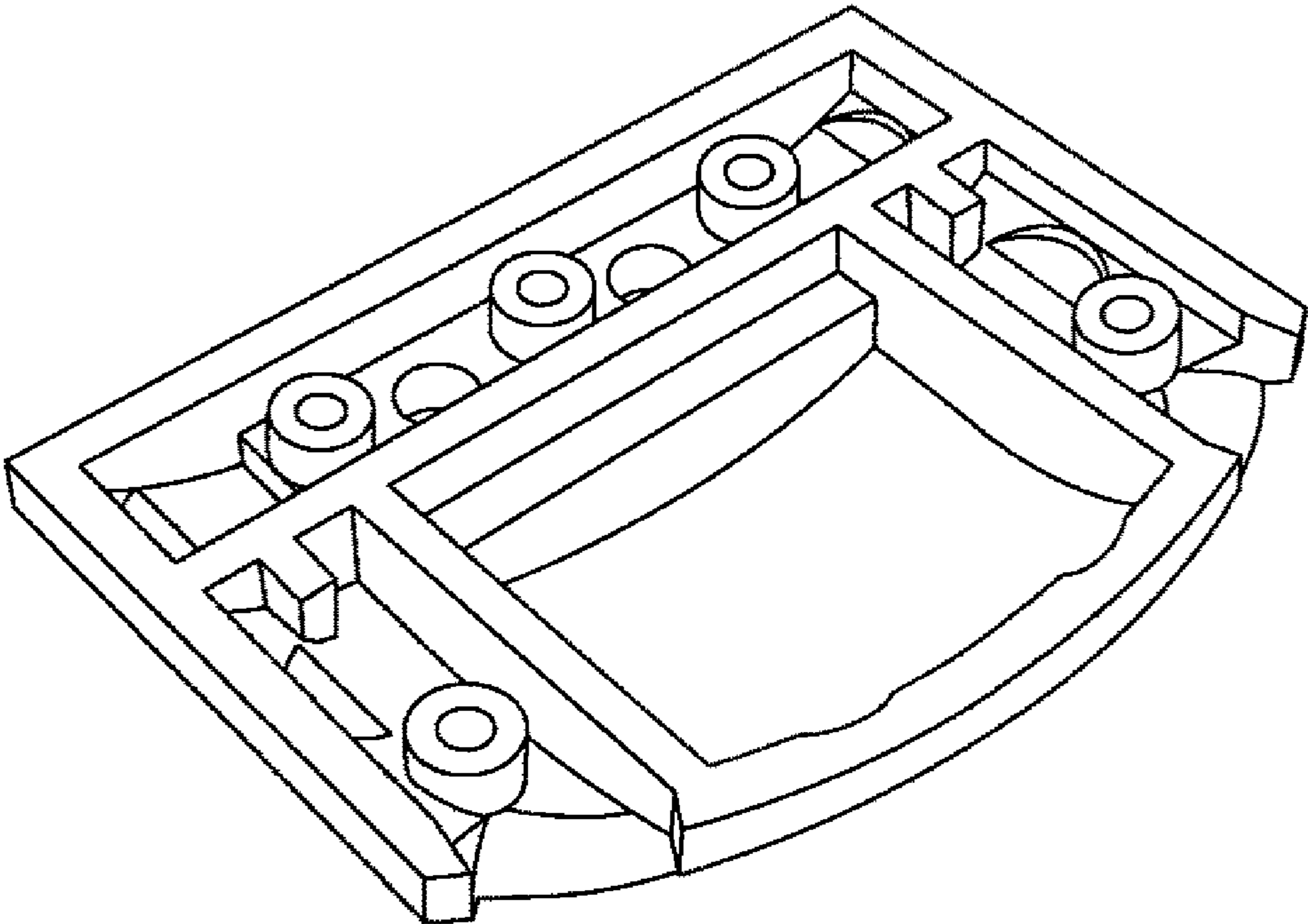


FIG. 2



FIG. 3

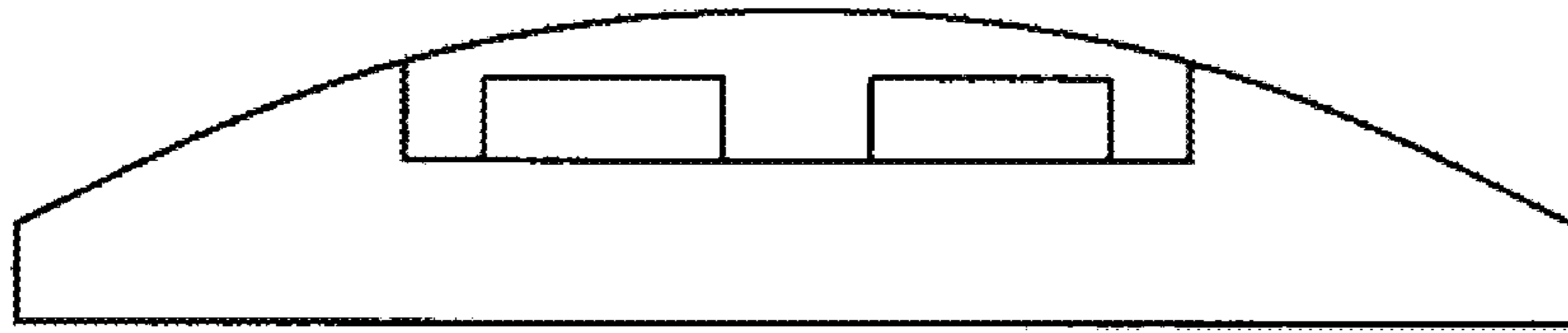


FIG. 4

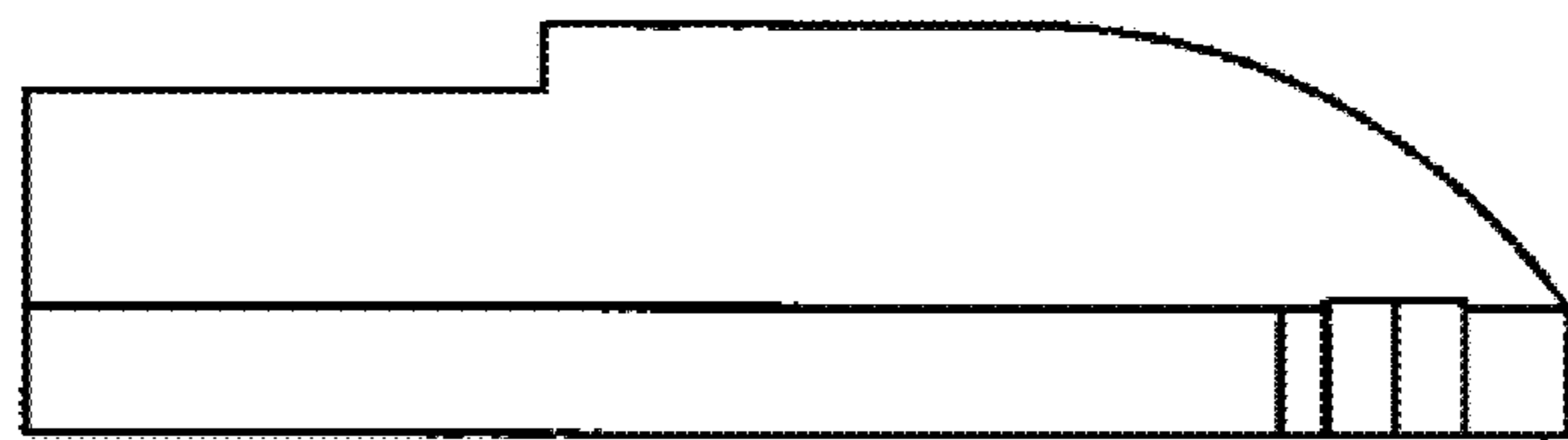


FIG. 5

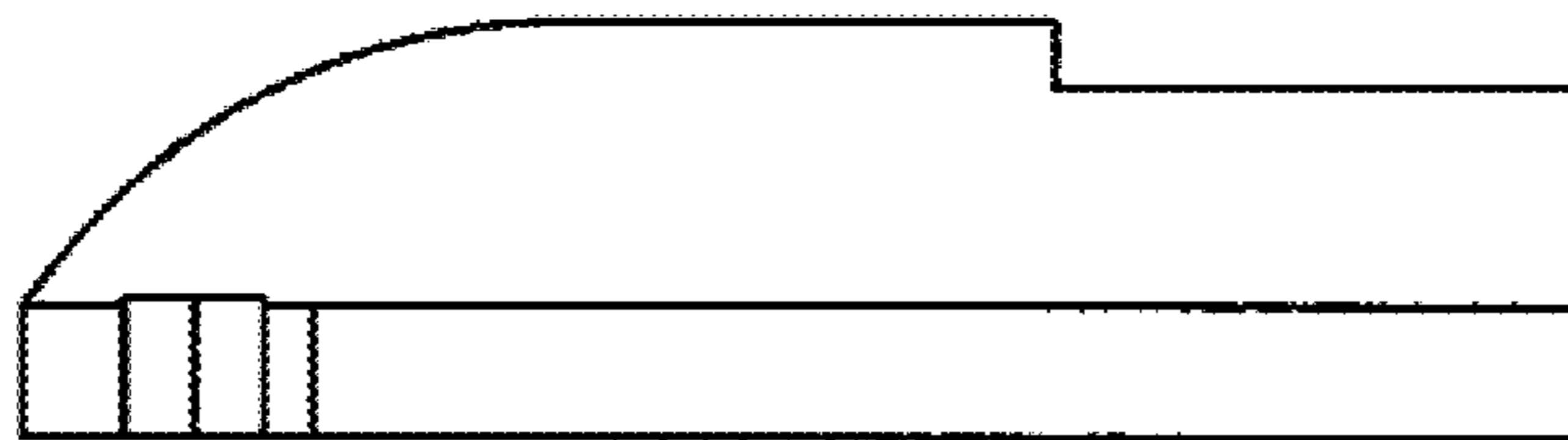


FIG. 6

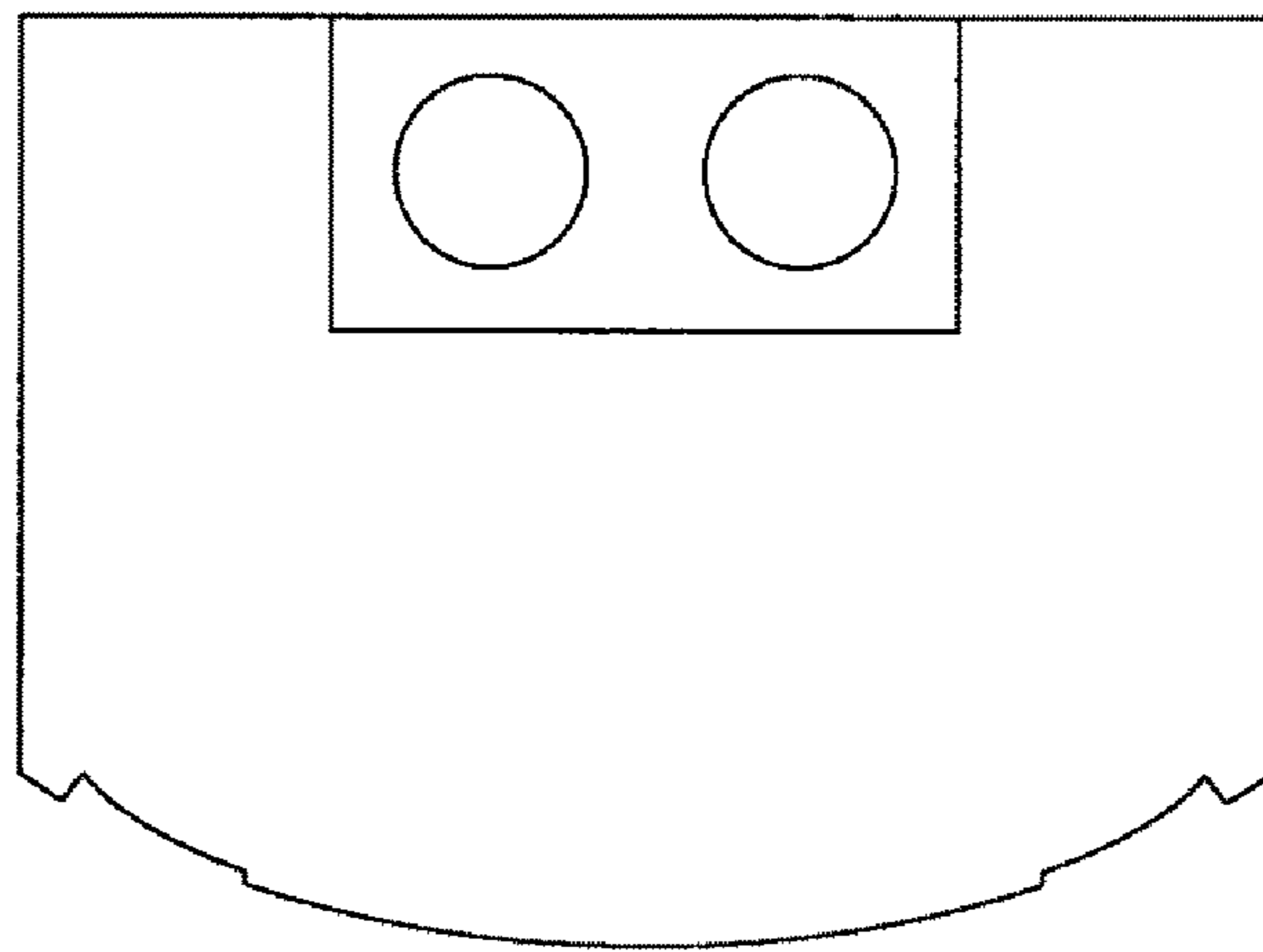


FIG. 7

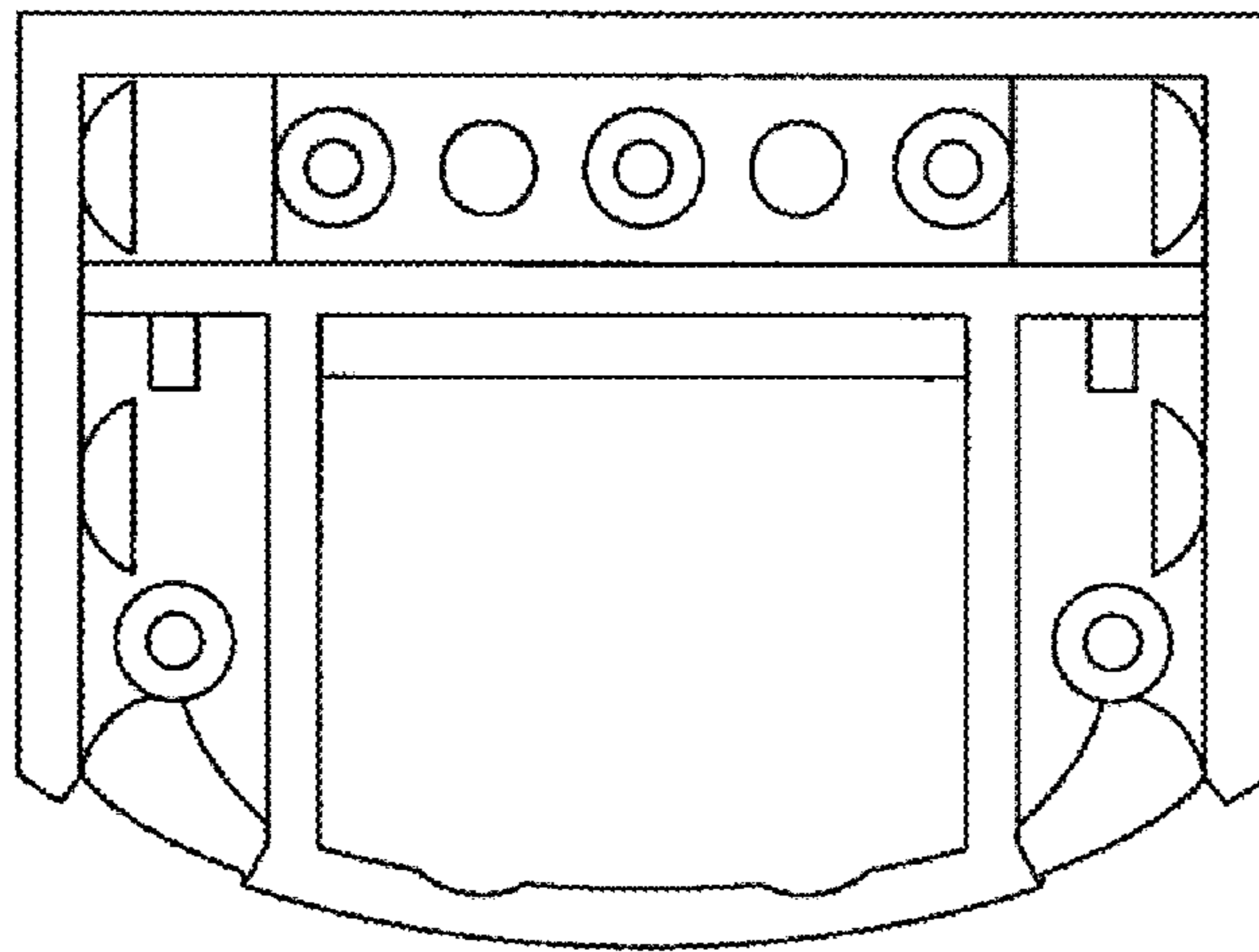


FIG. 8