



US00D672404S

(12) **United States Design Patent**  
**Dawes**

(10) **Patent No.:** **US D672,404 S**  
(45) **Date of Patent:** **\*\* Dec. 11, 2012**

(54) **TOY SET BUILDING BLOCK**

(75) Inventor: **Laurence Dawes, Aarhus C (DK)**

(73) Assignee: **Lego A/S, Billund (DK)**

(\*\*) Term: **14 Years**

(21) Appl. No.: **29/390,699**

(22) Filed: **Apr. 28, 2011**

(30) **Foreign Application Priority Data**

Jan. 25, 2011 (EM) ..... 001810532-0003

(51) **LOC (9) Cl.** ..... **21-01**

(52) **U.S. Cl.** ..... **D21/503**

(58) **Field of Classification Search** ..... D21/453,  
D21/484, 489, 490, 492, 493, 495, 504, 505,  
D21/564, 565, 802, 818; 446/168-174, 84,  
446/89, 108, 112, 114, 116, 124-128, 429,  
446/444-447; 463/58-69; 104/60, 69

See application file for complete search history.

(56) **References Cited**

**U.S. PATENT DOCUMENTS**

D315,754 S *	3/1991	Eggert et al. ....	D21/492
D317,635 S *	6/1991	Eggert et al. ....	D21/492
D328,930 S *	8/1992	Jarnros .....	D21/504
D335,508 S *	5/1993	Skov .....	D21/489
D354,529 S *	1/1995	Skov .....	D21/504
D361,099 S *	8/1995	Skov .....	D21/504

D380,787 S *	7/1997	Gabriel .....	D21/489
D409,683 S	5/1999	Toft	
D410,974 S	6/1999	Toft	
D588,210 S *	3/2009	Croston et al. ....	D21/503
D641,054 S *	7/2011	Clausen .....	D21/503

**FOREIGN PATENT DOCUMENTS**

AU	130210	6/1997
EM	000709589-0009	9/2007
EM	000709589-0018	9/2007
FR	975398-017	12/1997
GB	1023615	6/1985
GB	2063849	7/1997

\* cited by examiner

*Primary Examiner* — Cynthia M Chin

(74) *Attorney, Agent, or Firm* — Day Pitney LLP

(57) **CLAIM**

The ornamental design for a toy set building block, as shown and described.

**DESCRIPTION**

FIG. 1 is a top perspective view of the toy set building block of my ornamental design;

FIG. 2 is a bottom perspective view thereof;

FIG. 3 is a right front elevational view thereof;

FIG. 4 is a left front elevational view thereof;

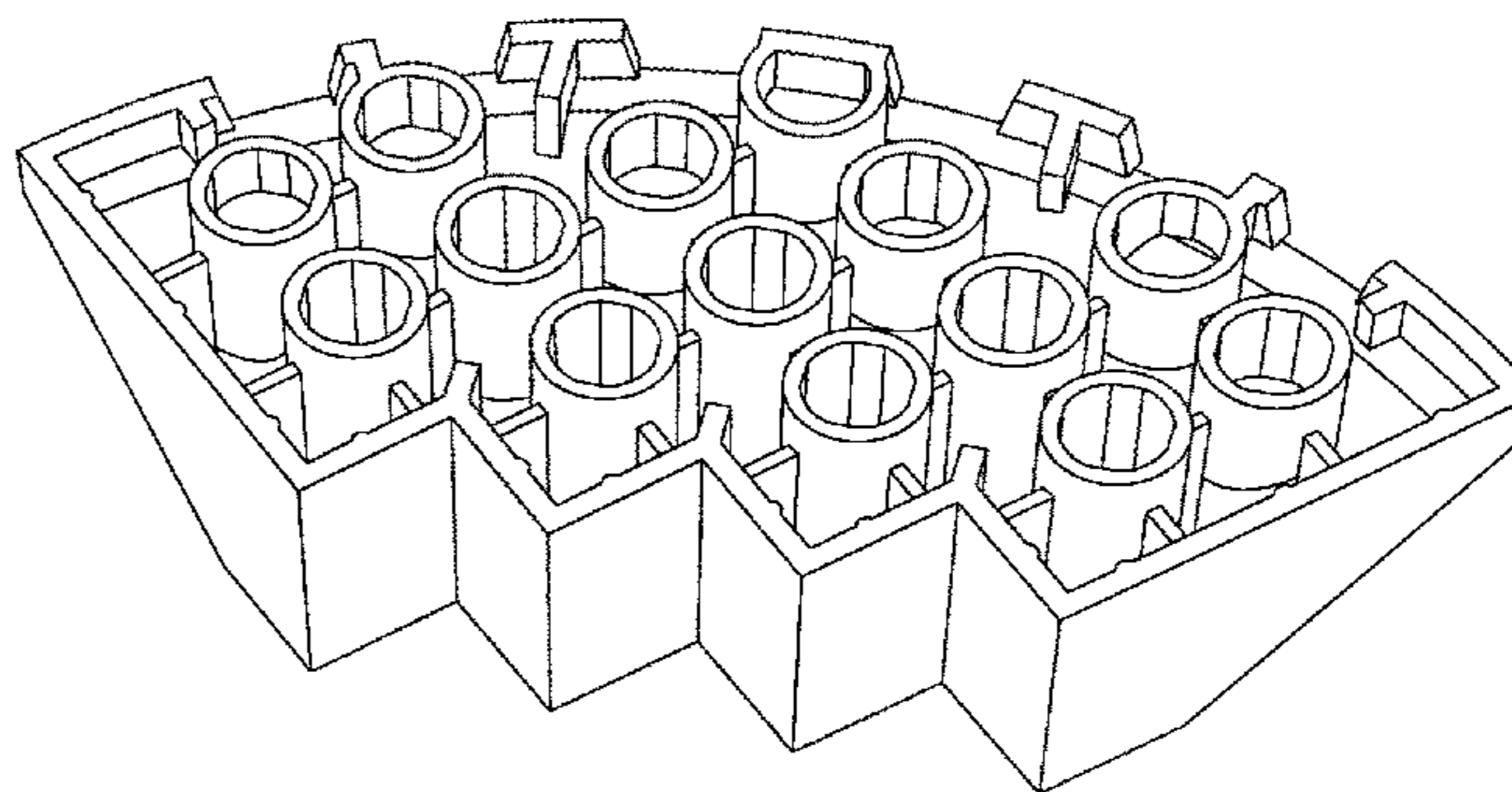
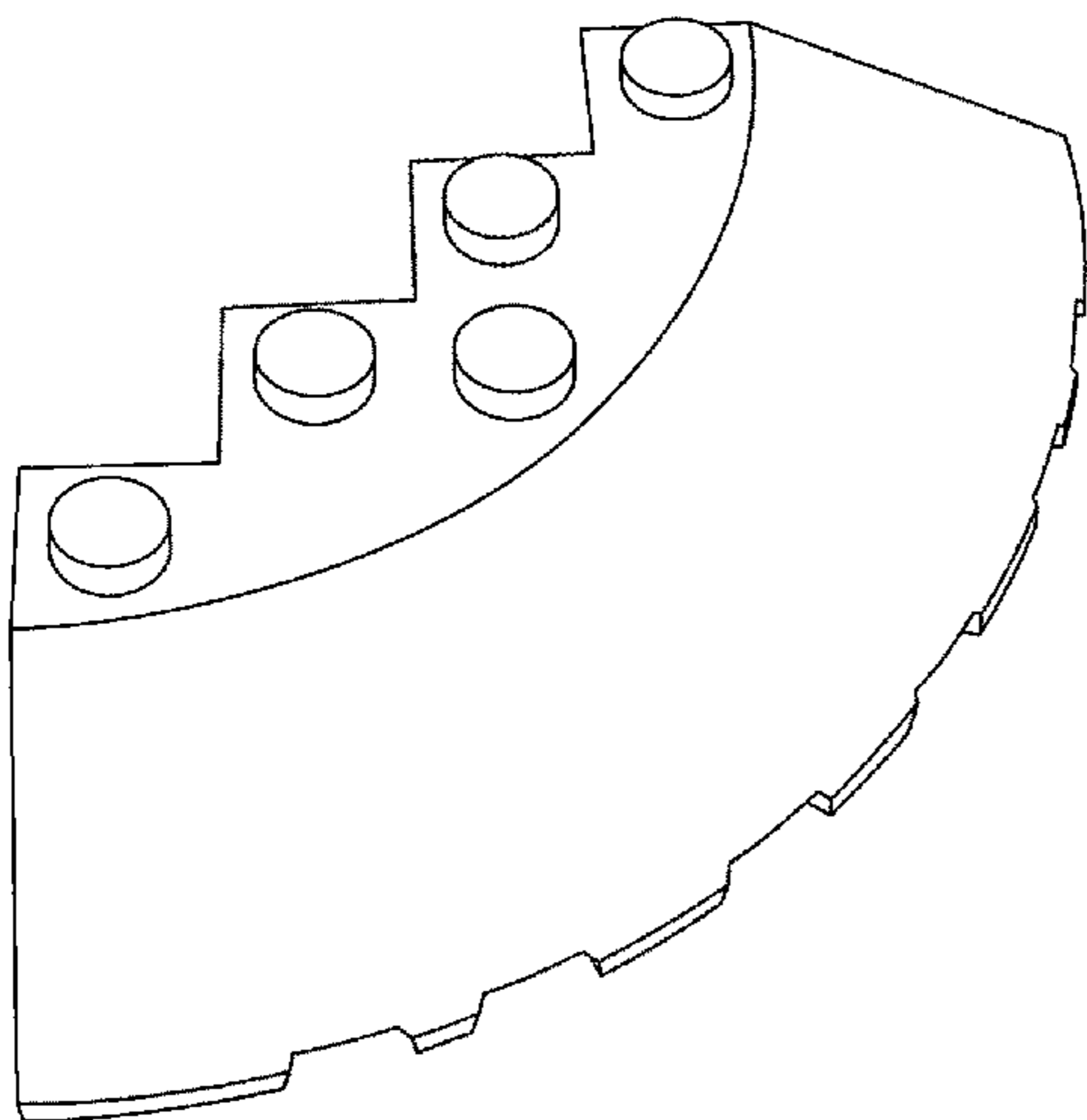
FIG. 5 is a right rear elevational view thereof;

FIG. 6 is a left rear elevational view thereof;

FIG. 7 is a top plan view thereof; and,

FIG. 8 is a bottom plan view thereof.

**1 Claim, 8 Drawing Sheets**



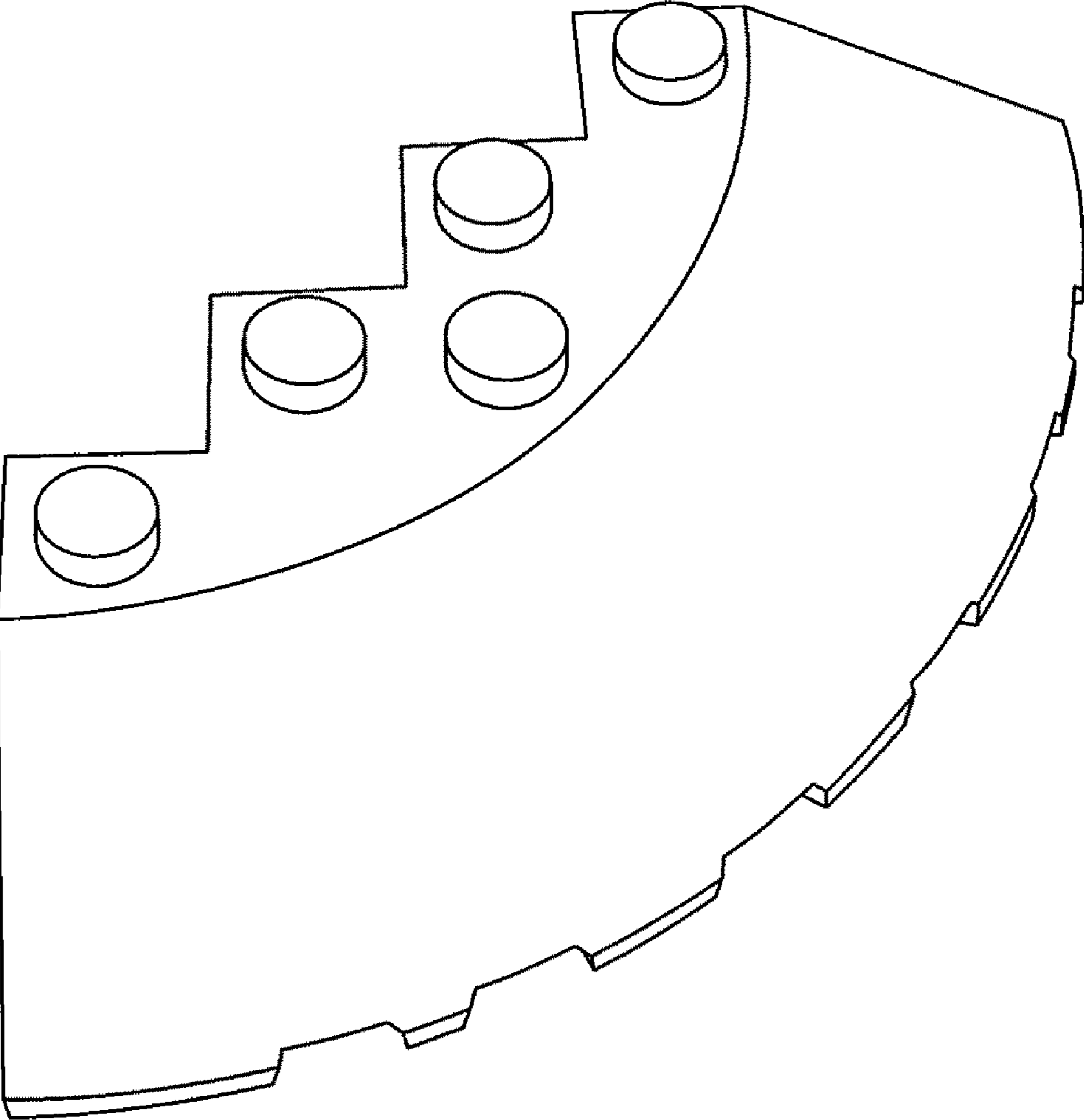


FIG. 1

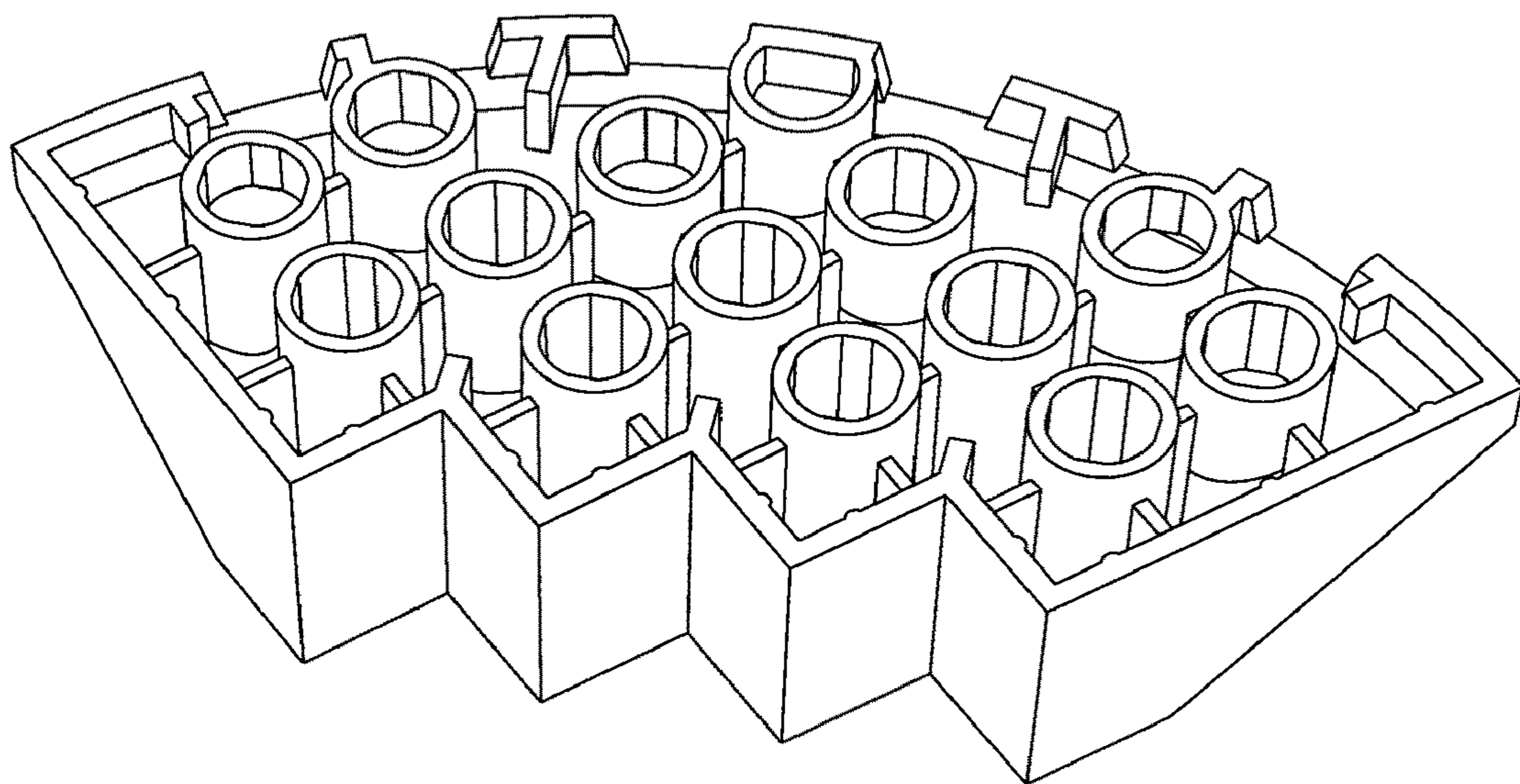


FIG. 2

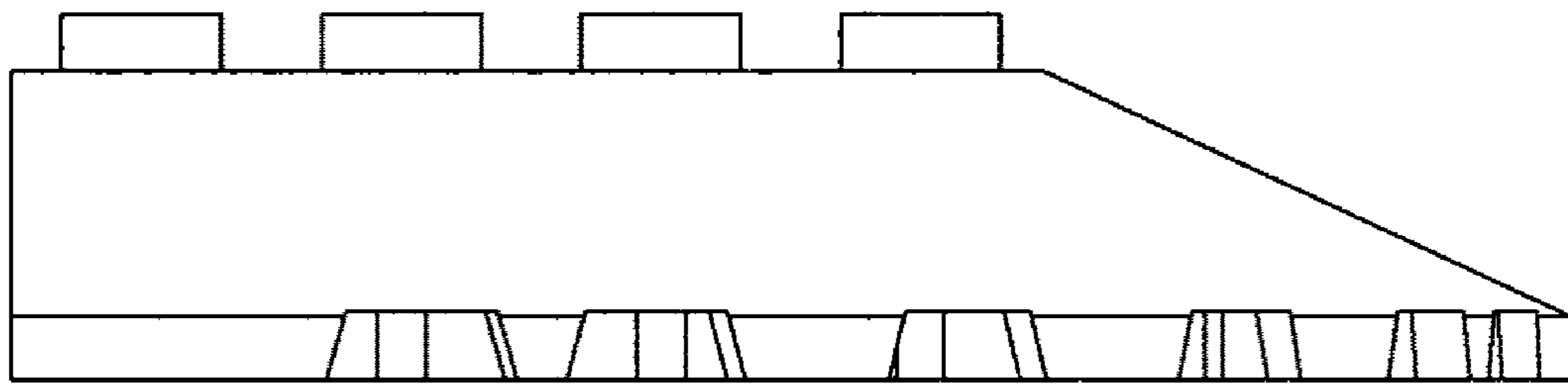


FIG. 3

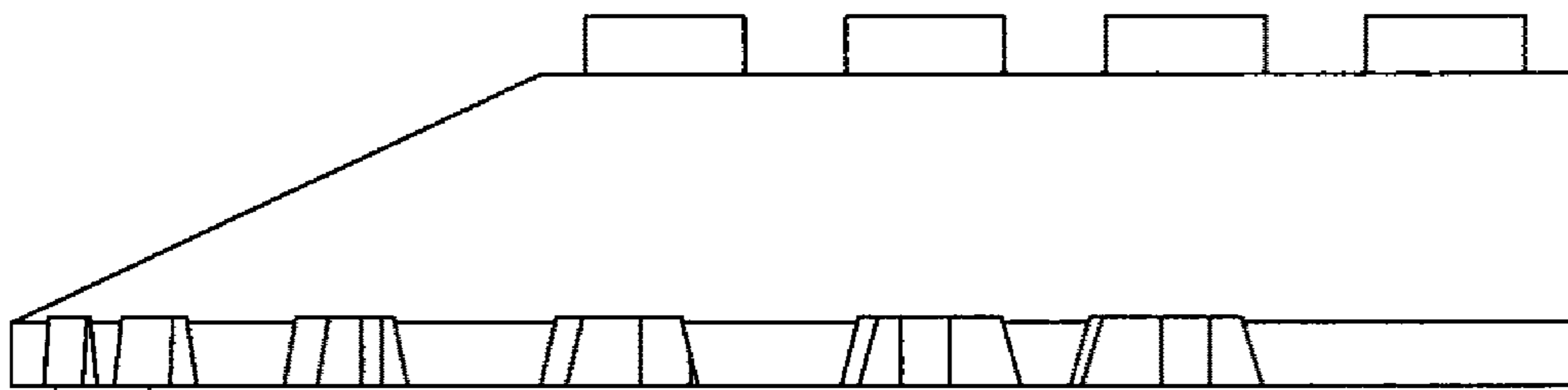


FIG. 4

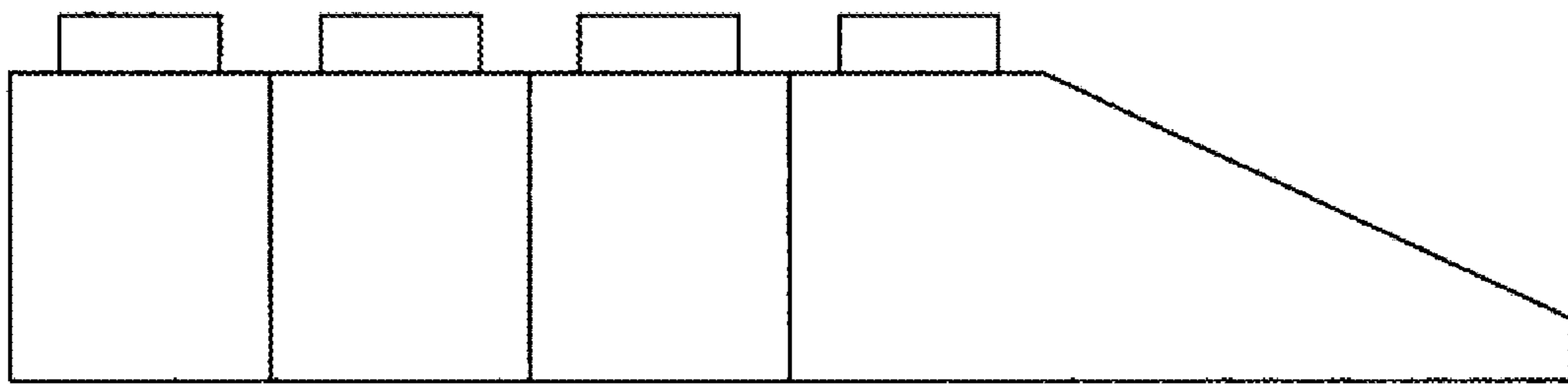


FIG. 5

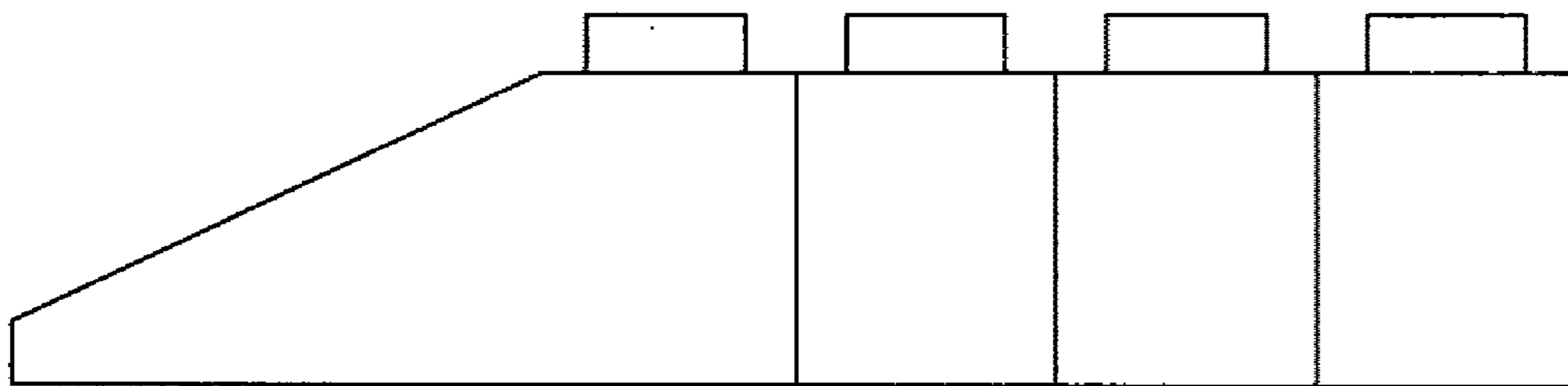


FIG. 6

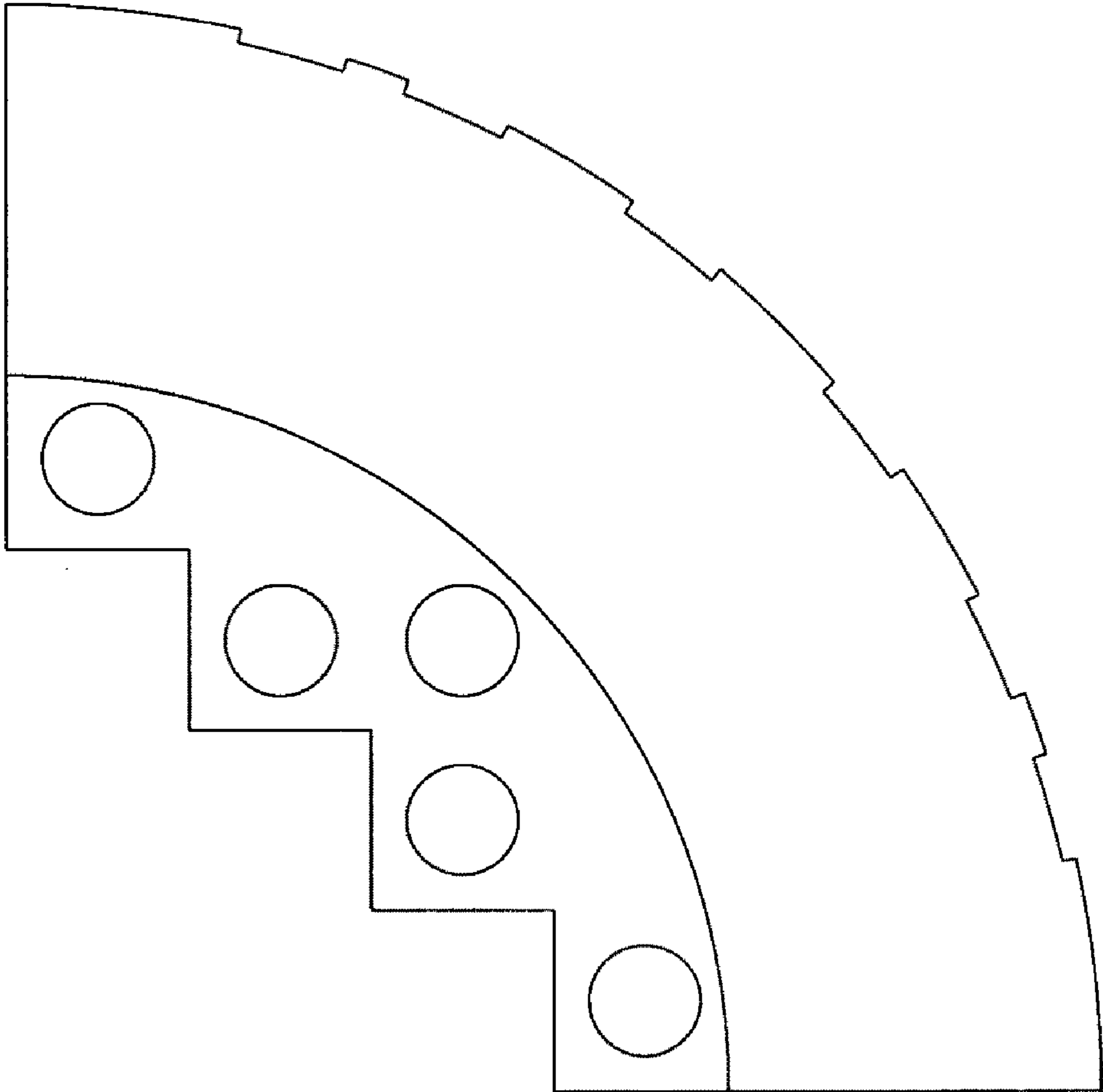


FIG. 7



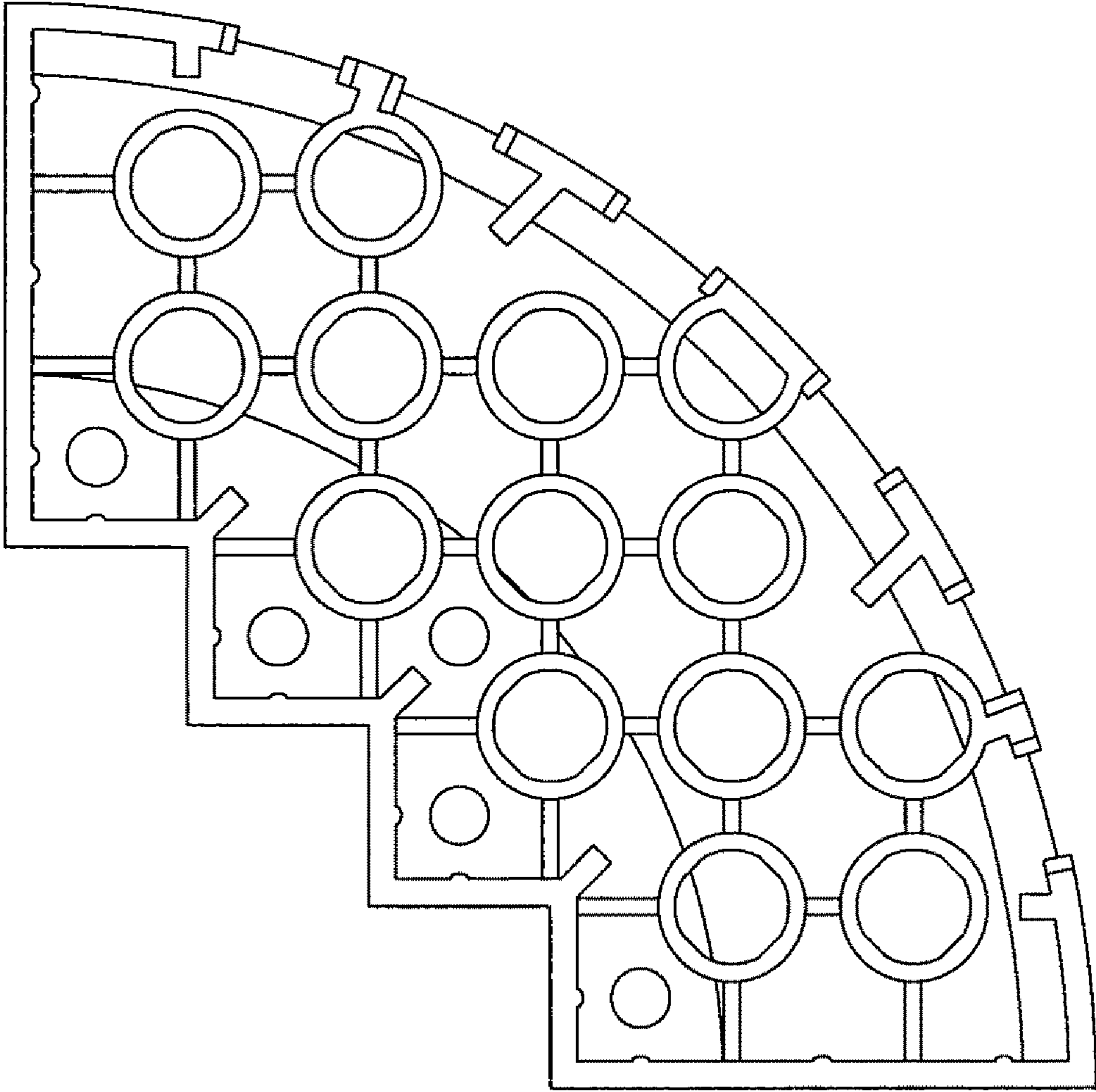


FIG. 8