



US00D672402S

(12) **United States Design Patent**  
**Macadam**

(10) **Patent No.:** **US D672,402 S**  
(45) **Date of Patent:** **\*\* Dec. 11, 2012**

(54) **TOY SET BUILDING BLOCK ELEMENT**

(75) Inventor: **Ashley Macadam**, Aarhus C (DK)

(73) Assignee: **Lego A/S**, Billund (DK)

(\*\*) Term: **14 Years**

(21) Appl. No.: **29/390,700**

(22) Filed: **Apr. 28, 2011**

(30) **Foreign Application Priority Data**

Jan. 25, 2011 (EP) ..... 001 81 0532-0004

(51) **LOC (9) Cl.** ..... **21-01**

(52) **U.S. Cl.** ..... **D21/491**

(58) **Field of Classification Search** ..... D21/484,  
D21/485, 486, 489-495, 499, 500-505; 446/69,  
446/85, 95, 102-128; 434/208, 259, 403;  
273/153, 156, 160; D25/113, 114, 115, 118  
See application file for complete search history.

(56) **References Cited**

**U.S. PATENT DOCUMENTS**

D244,632 S *	6/1977	Christiansen	.....	D21/491
D246,927 S *	1/1978	Christiansen	.....	D21/486
D329,067 S *	9/1992	Skov	.....	D21/484
D332,640 S *	1/1993	Pagel	.....	D21/491
D409,683 S	5/1999	Toft		
D410,974 S	6/1999	Toft		
D561,845 S *	2/2008	Glickman et al.	.....	D21/492

**FOREIGN PATENT DOCUMENTS**

AU	130210	6/1997
BX	15617-47	5/1987
EM	000709589-0009	9/2007
EM	000709589-0018	9/2007
FR	975398-017	12/1997
GB	1023615	6/1985
GB	2063849	7/1997

\* cited by examiner

*Primary Examiner* — Cynthia M Chin

(74) *Attorney, Agent, or Firm* — Day Pitney LLP

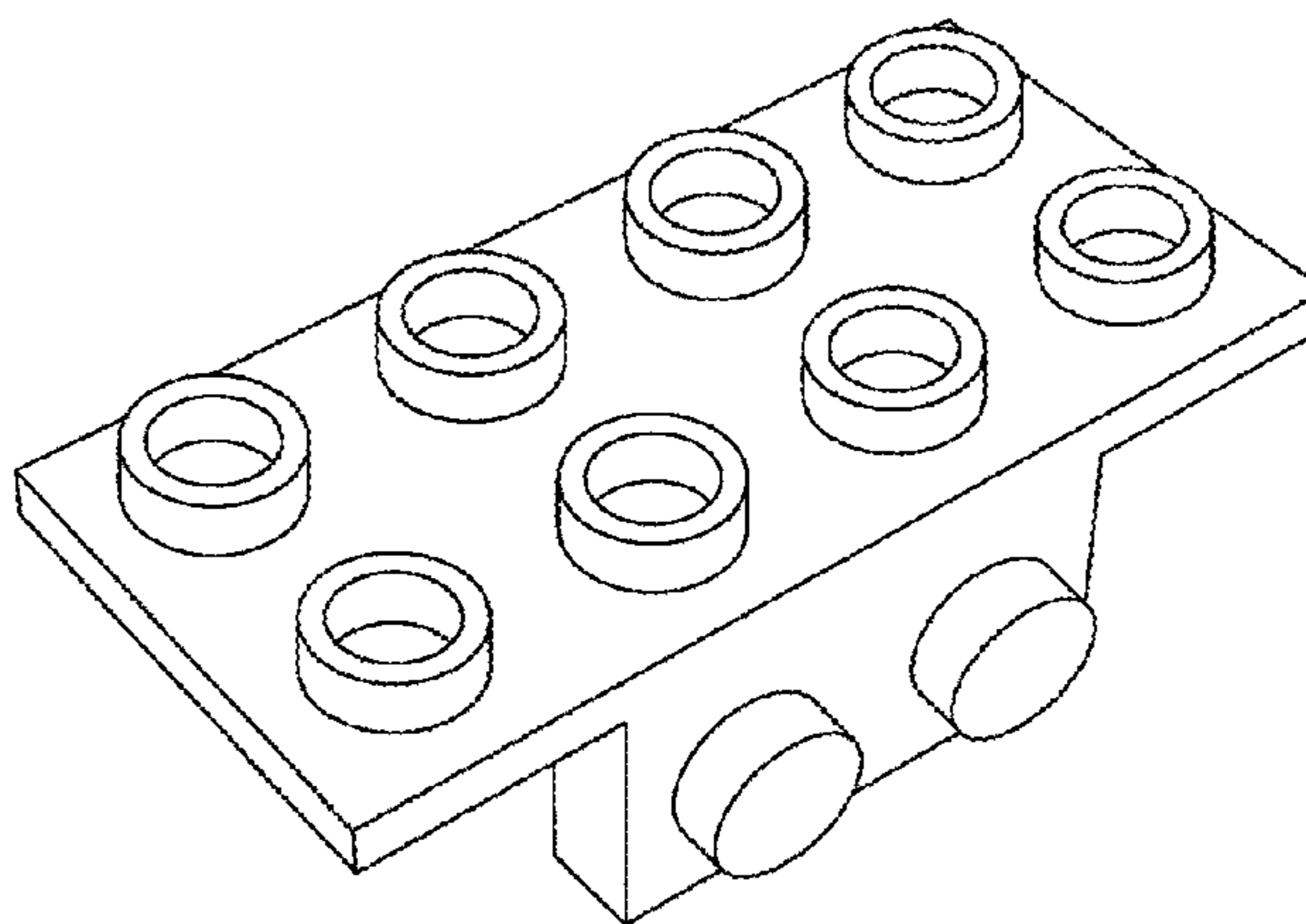
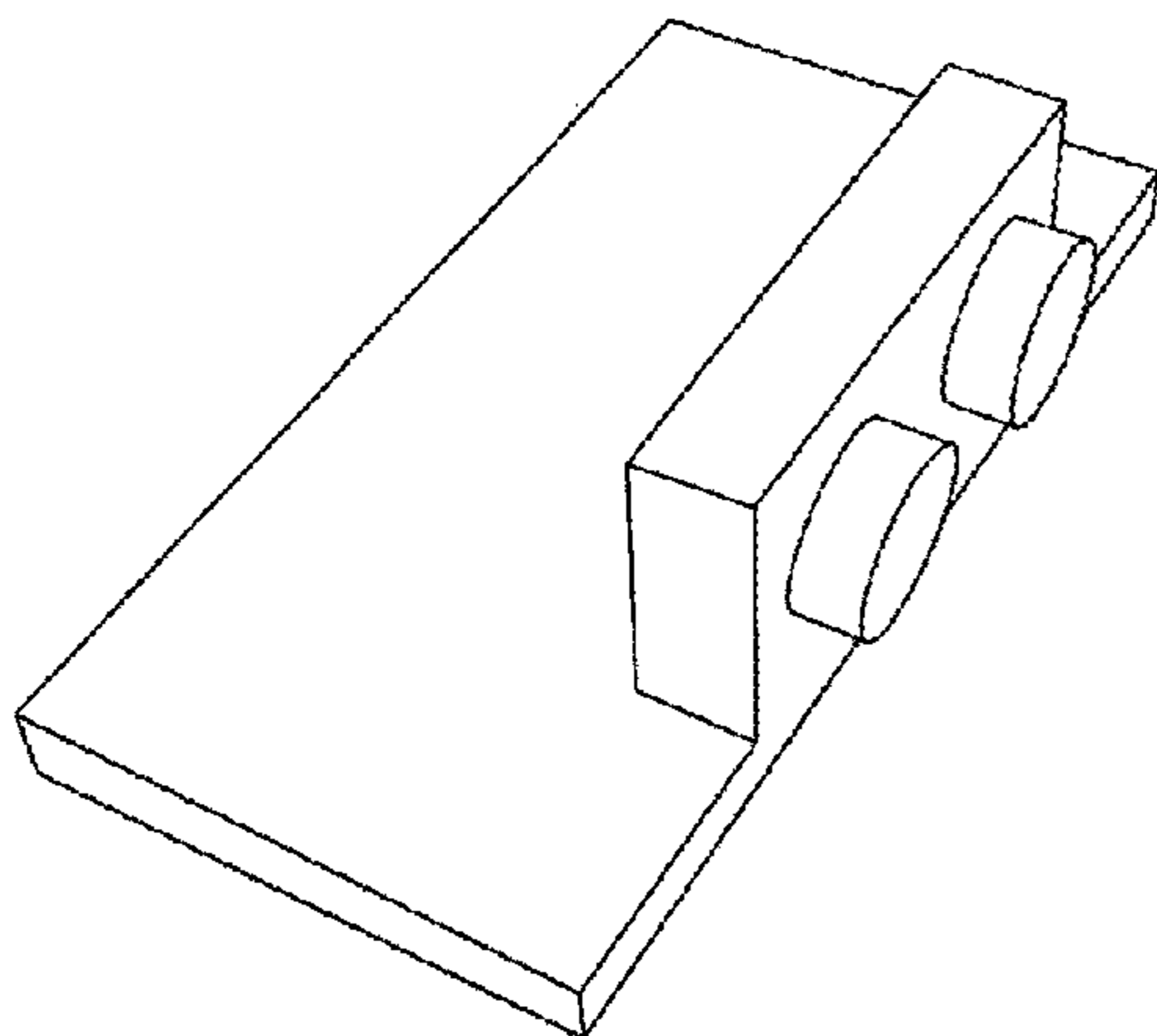
(57) **CLAIM**

The ornamental design for a toy set building block element, as shown and described.

**DESCRIPTION**

FIG. 1 is a top perspective view of the toy set building block element of my ornamental design;  
FIG. 2 is a bottom perspective view thereof;  
FIG. 3 is a front elevational view thereof;  
FIG. 4 is a rear elevational view thereof;  
FIG. 5 is a right side view thereof;  
FIG. 6 is a left side view thereof;  
FIG. 7 is a top plan view thereof; and,  
FIG. 8 is a bottom plan view thereof.  
The broken lines represent portions of the article that form no part of the claim.

**1 Claim, 8 Drawing Sheets**



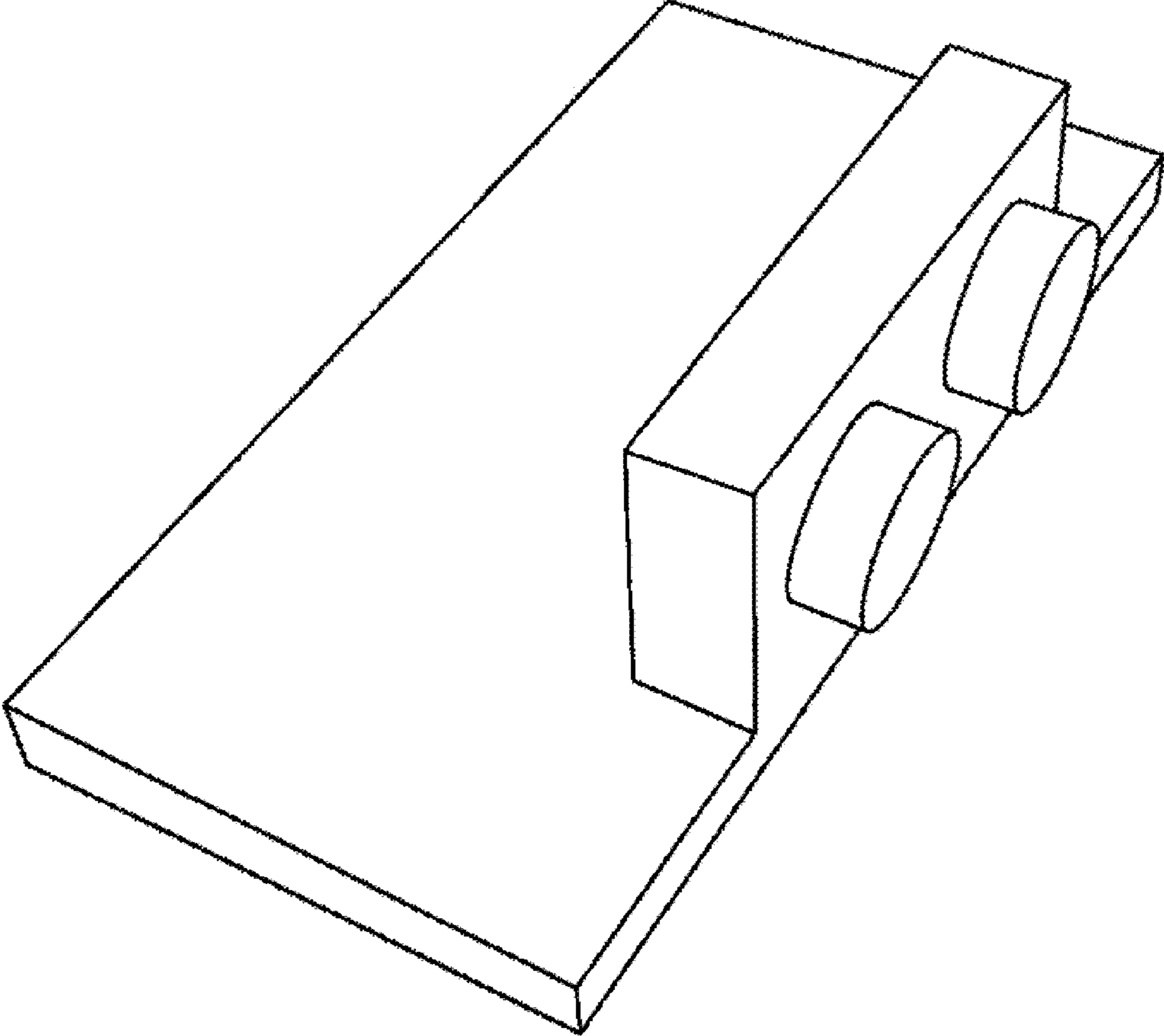


FIG. 1

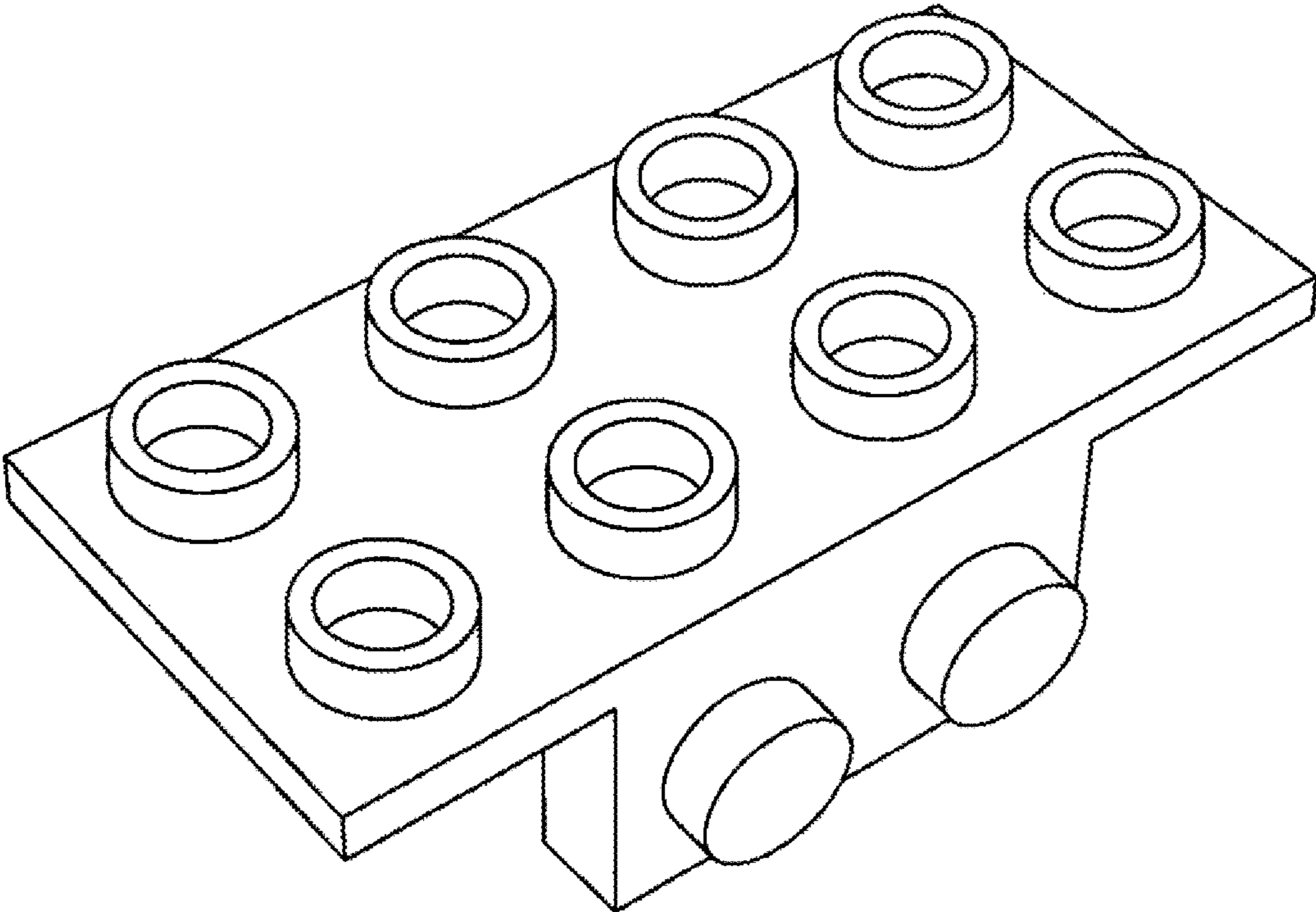


FIG. 2

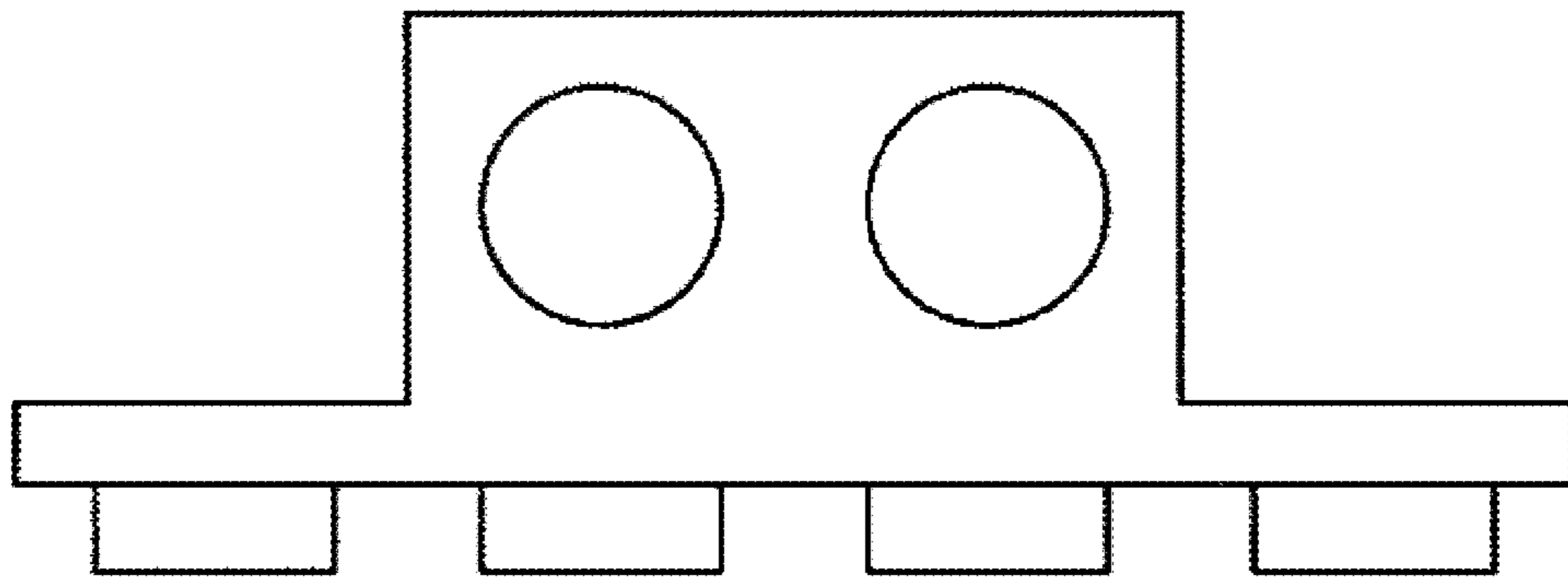


FIG. 3

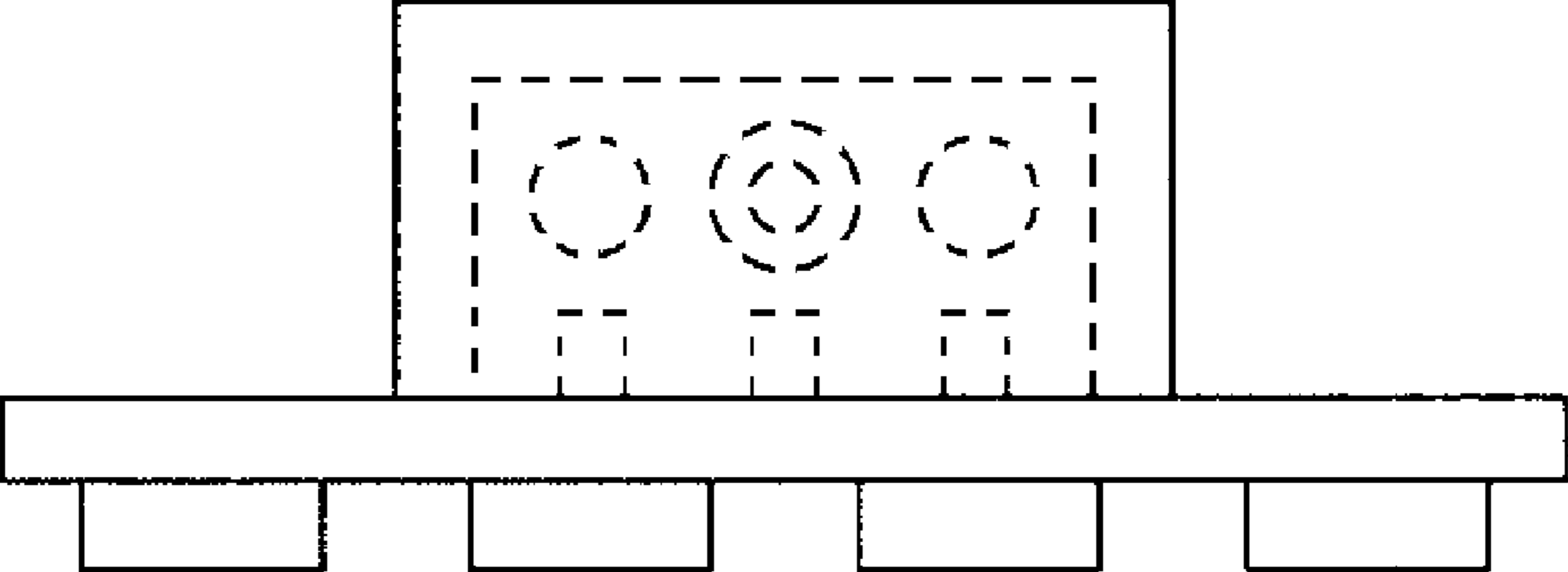


FIG. 4

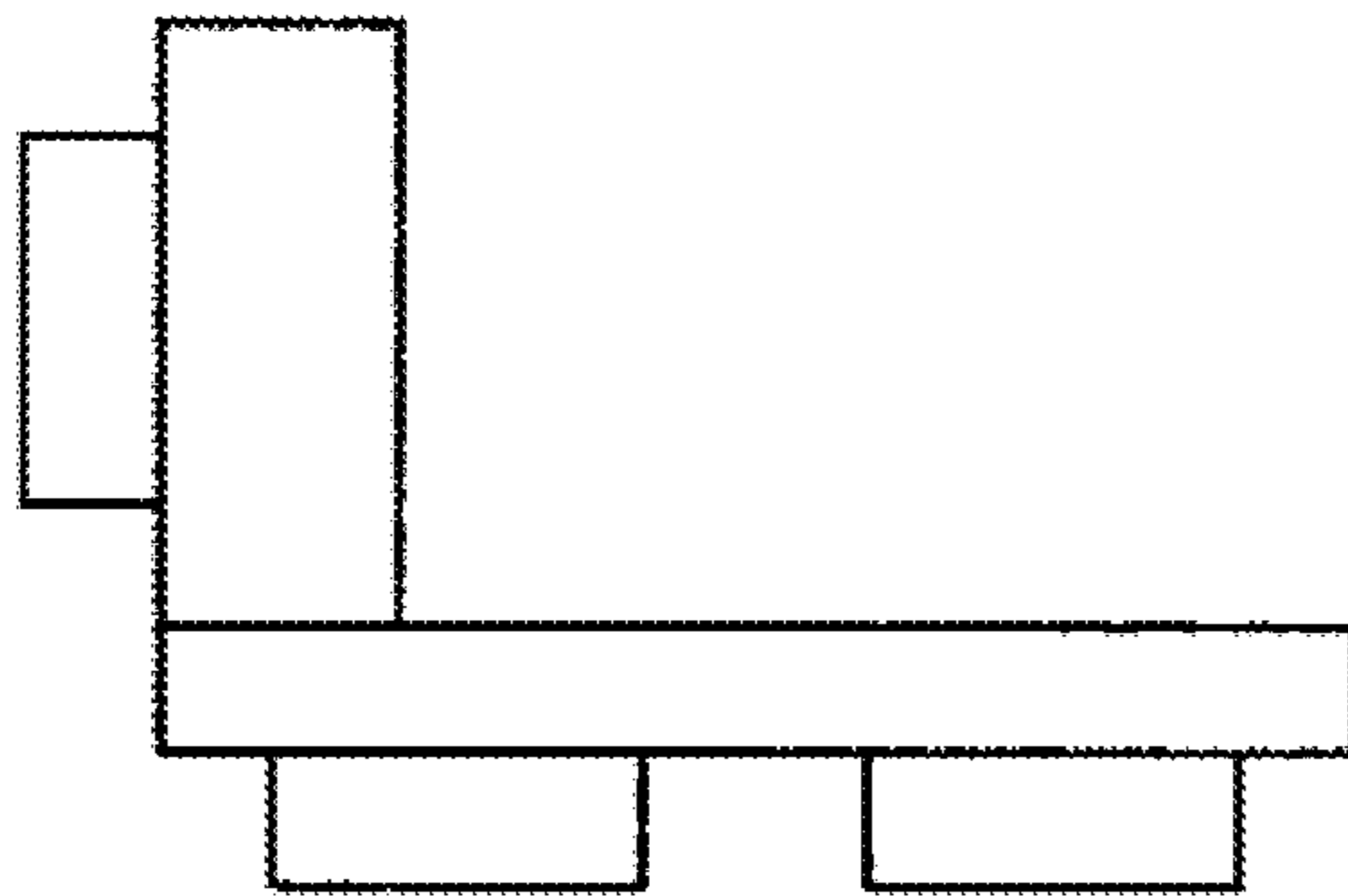


FIG. 5

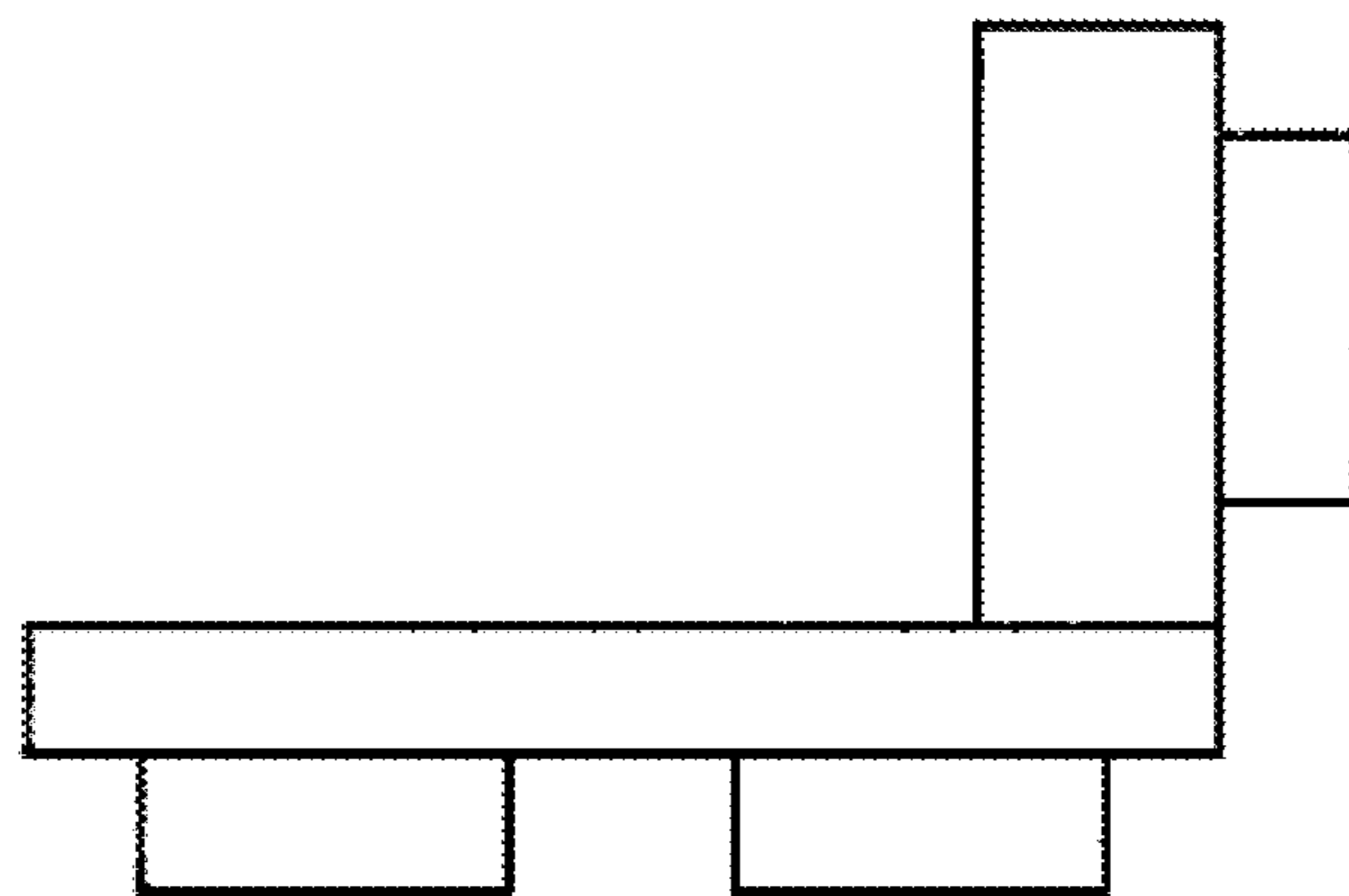


FIG. 6

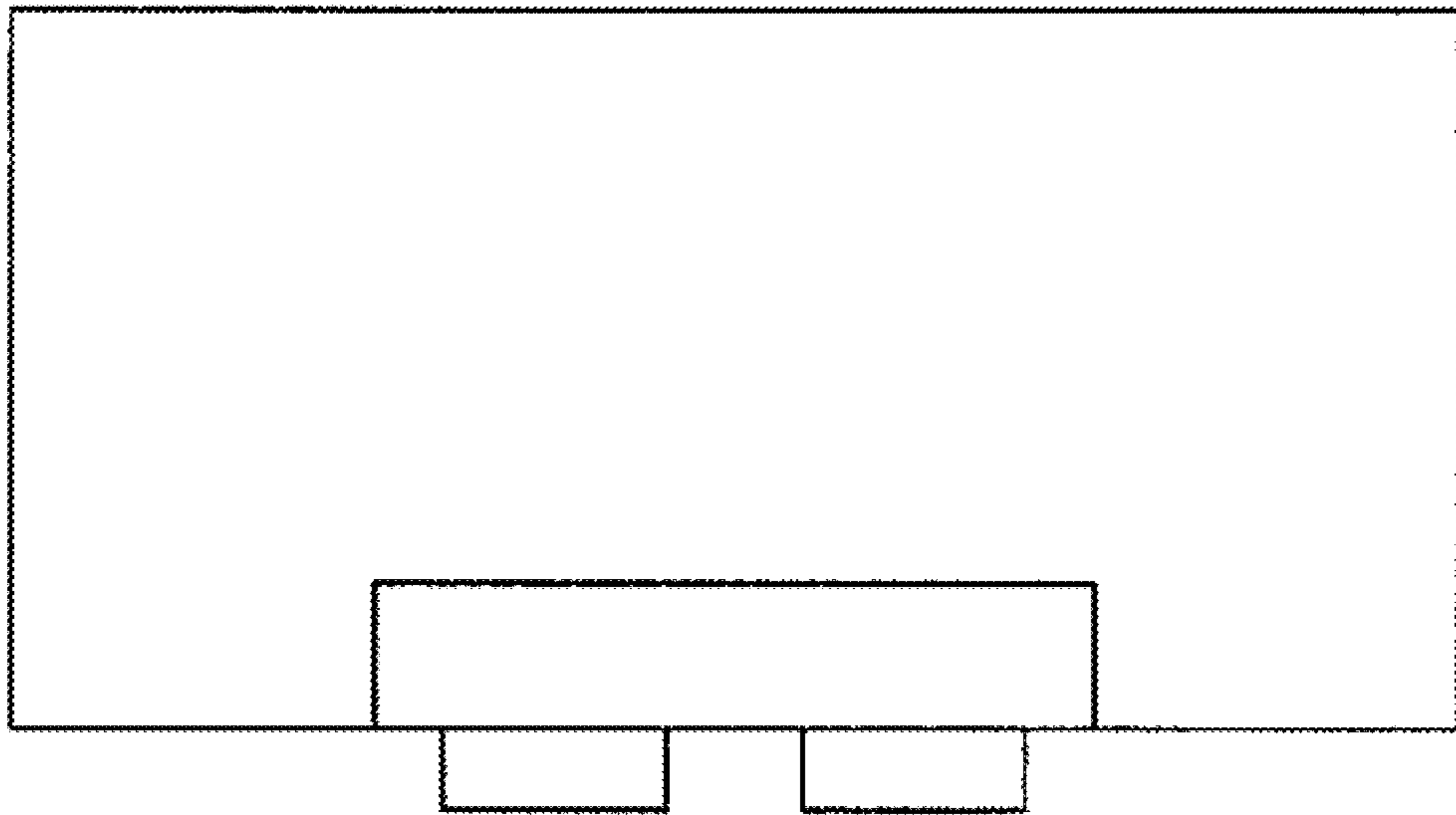


FIG. 7



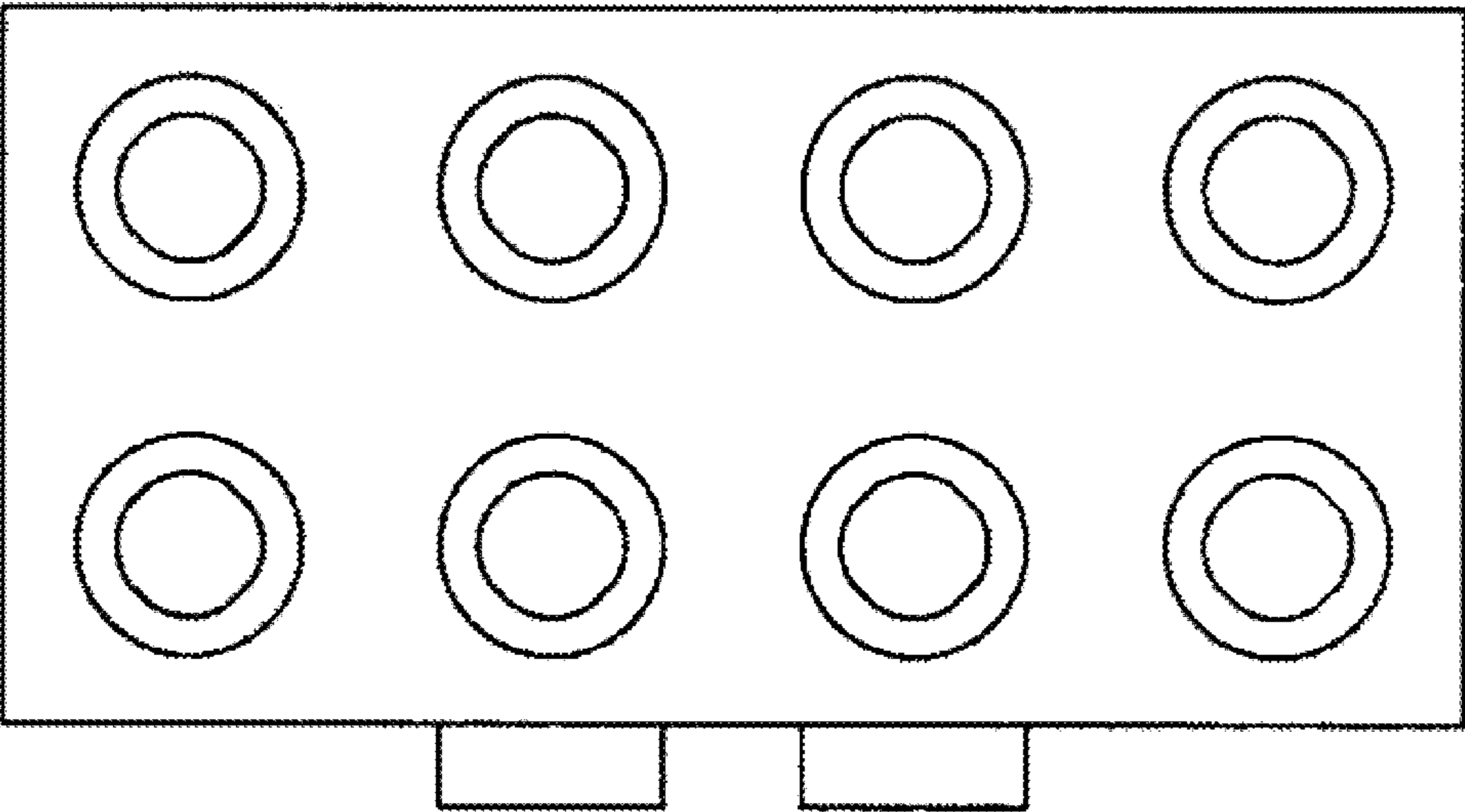


FIG. 8