

US00D672401S

(12) **United States Design Patent**
Dawes

(10) **Patent No.:** **US D672,401 S**
(45) **Date of Patent:** **** Dec. 11, 2012**

(54) **BUILDING BLOCK**

(75) Inventor: **Laurence Dawes, Aarhus C (DK)**

(73) Assignee: **Lego A/S, Billund (DK)**

(**) Term: **14 Years**

(21) Appl. No.: **29/390,698**

(22) Filed: **Apr. 28, 2011**

(30) **Foreign Application Priority Data**

Jan. 25, 2011 (EM) 001810532-0002

(51) **LOC (9) Cl.** **21-01**

(52) **U.S. Cl.** **D21/488**

(58) **Field of Classification Search** D21/484,
D21/485, 487, 488, 493, 494, 495, 500-505,
D21/561; 446/69, 85, 95, 102-128; 434/208,
434/259, 403; 273/153, 156, 160; D25/113,
D25/114, 115, 118

See application file for complete search history.

(56) **References Cited**

U.S. PATENT DOCUMENTS

D206,012 S *	10/1966	Kristiansen	D21/488
D297,033 S *	8/1988	Yamada	D21/501
5,194,031 A *	3/1993	Sahler	446/103
D349,736 S *	8/1994	Hatting	D21/561
D360,239 S *	7/1995	Knudsen	D21/504
D364,199 S *	11/1995	Schmidt et al.	D21/488
D366,073 S *	1/1996	Schmidt et al.	D21/488
D388,475 S *	12/1997	Glickman	D21/488
D409,683 S	5/1999	Toft		
D410,974 S	6/1999	Toft		

D456,462 S *	4/2002	Sorensen	D21/488
D473,902 S *	4/2003	Panno	D21/561
D474,513 S *	5/2003	Kichijo	D21/503
6,821,182 B2 *	11/2004	Polick	446/103
D517,128 S *	3/2006	Kim	D21/503
D517,616 S *	3/2006	Kim	D21/503
D573,202 S *	7/2008	Chun	D21/503

FOREIGN PATENT DOCUMENTS

AU	130210	6/1997
EM	000709589-0009	9/2007
EM	000709589-0018	9/2007
FR	975398-017	12/1997
GB	1023615	6/1985
GB	2063849	7/1997

* cited by examiner

Primary Examiner — Cynthia M Chin

(74) *Attorney, Agent, or Firm* — Day Pitney LLP

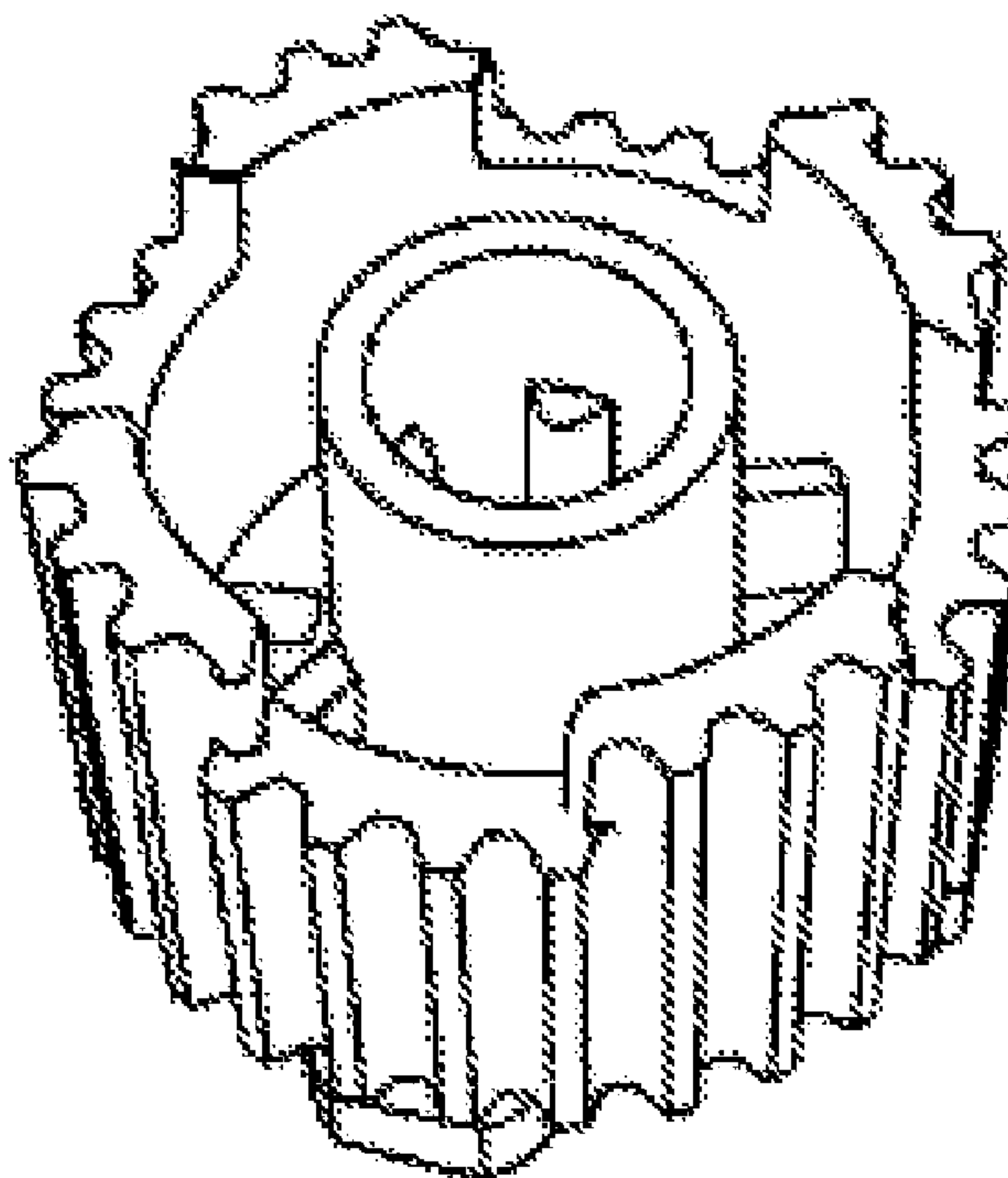
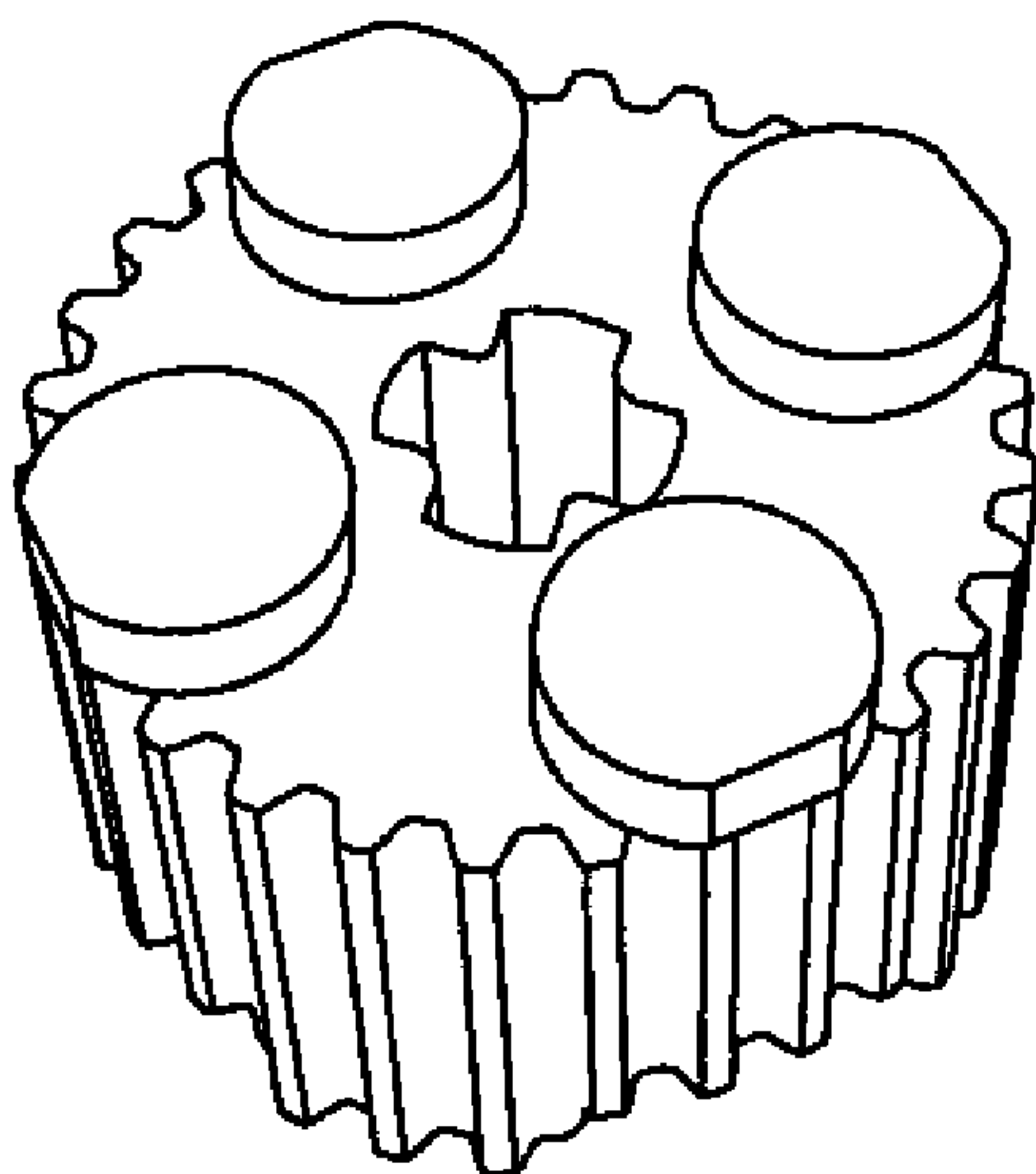
(57) **CLAIM**

The ornamental design for a building block, as shown and described.

DESCRIPTION

FIG. 1 is a top perspective view of the building block of my ornamental design;
FIG. 2 is a bottom perspective view thereof;
FIG. 3 is a side elevational view thereof;
FIG. 4 is a top plan view thereof; and,
FIG. 5 is a bottom plan view thereof.
The broken lines represent portions of the article that form no part of the claim.

1 Claim, 5 Drawing Sheets



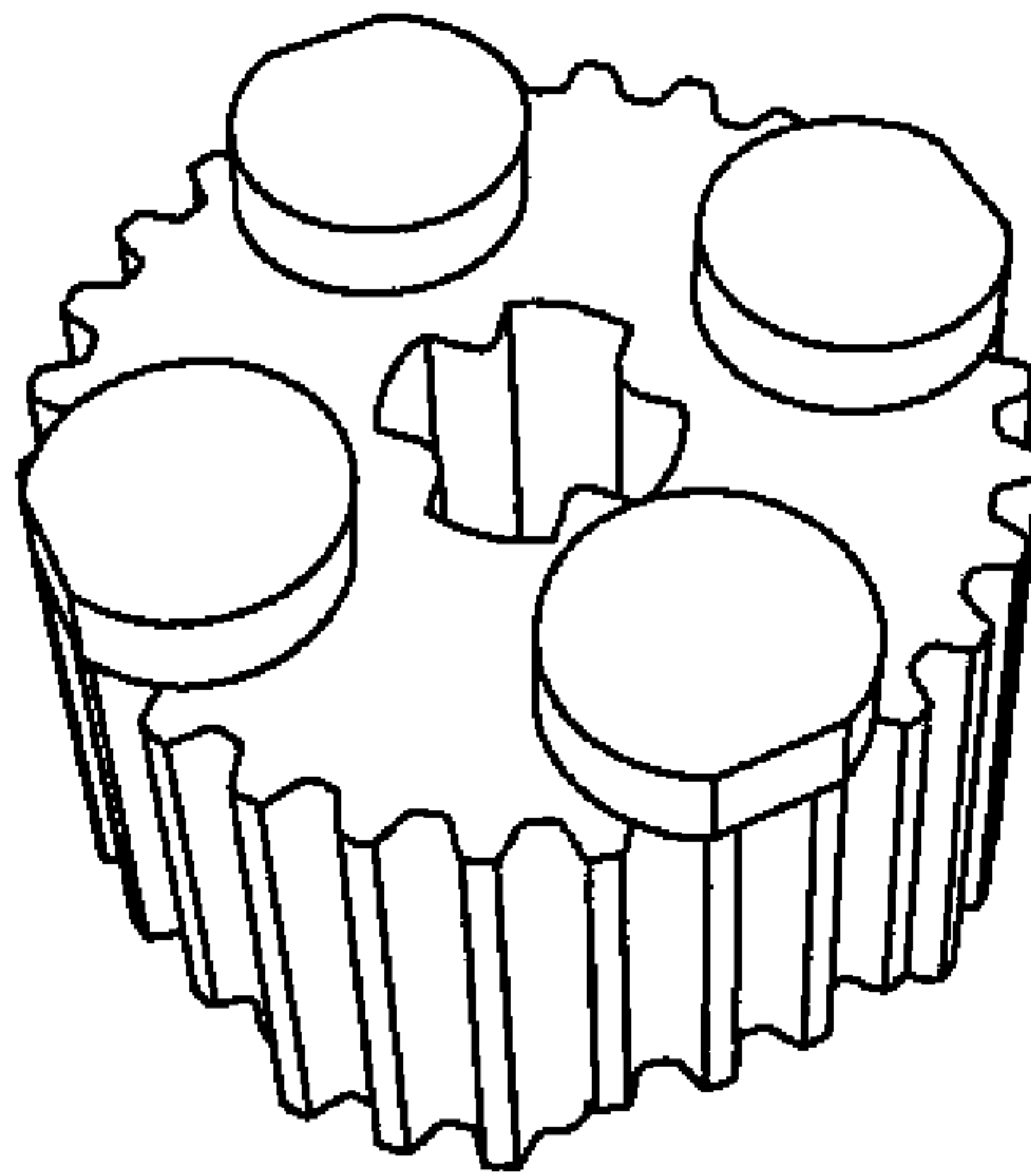


FIG. 1

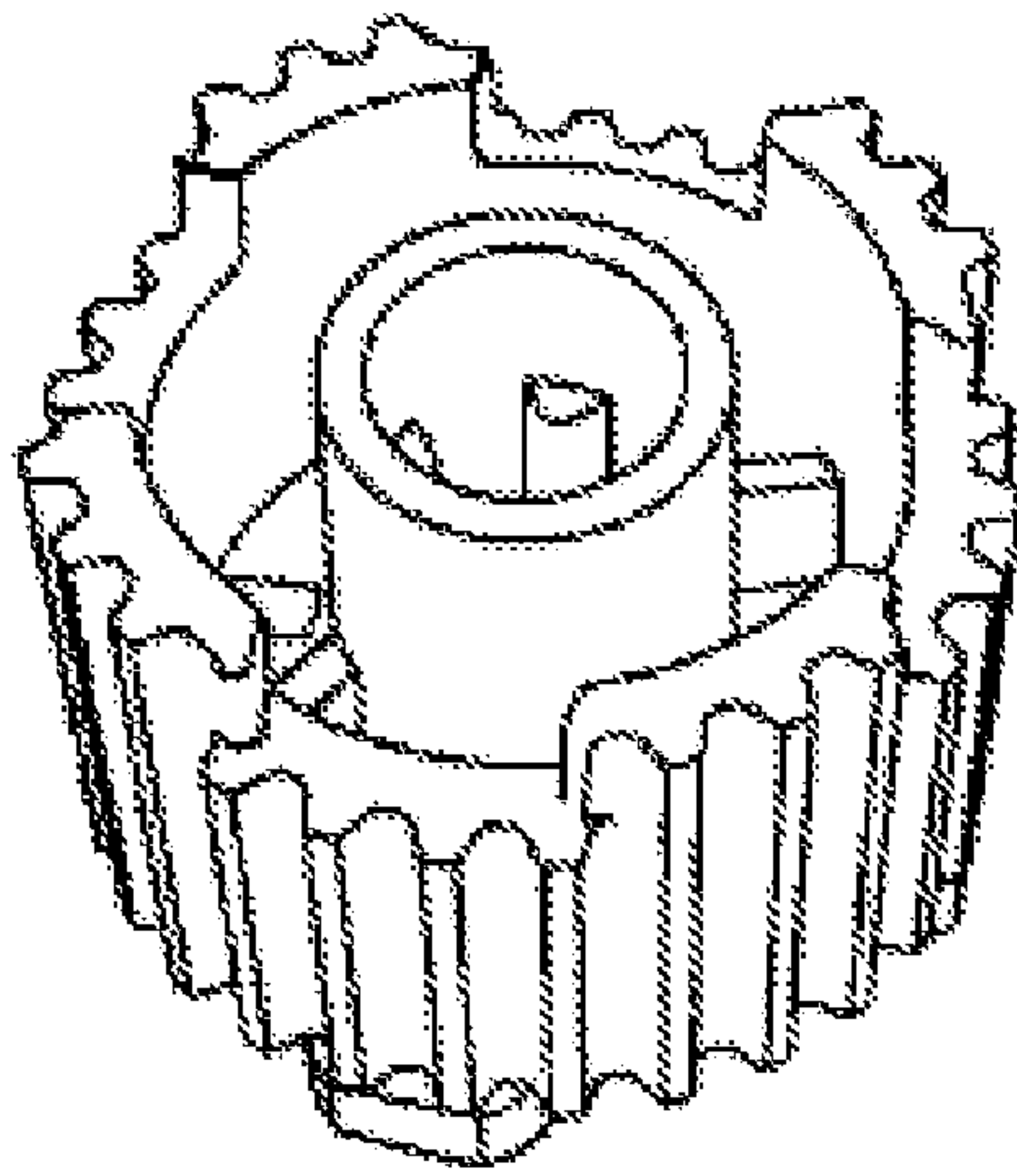


FIG. 2

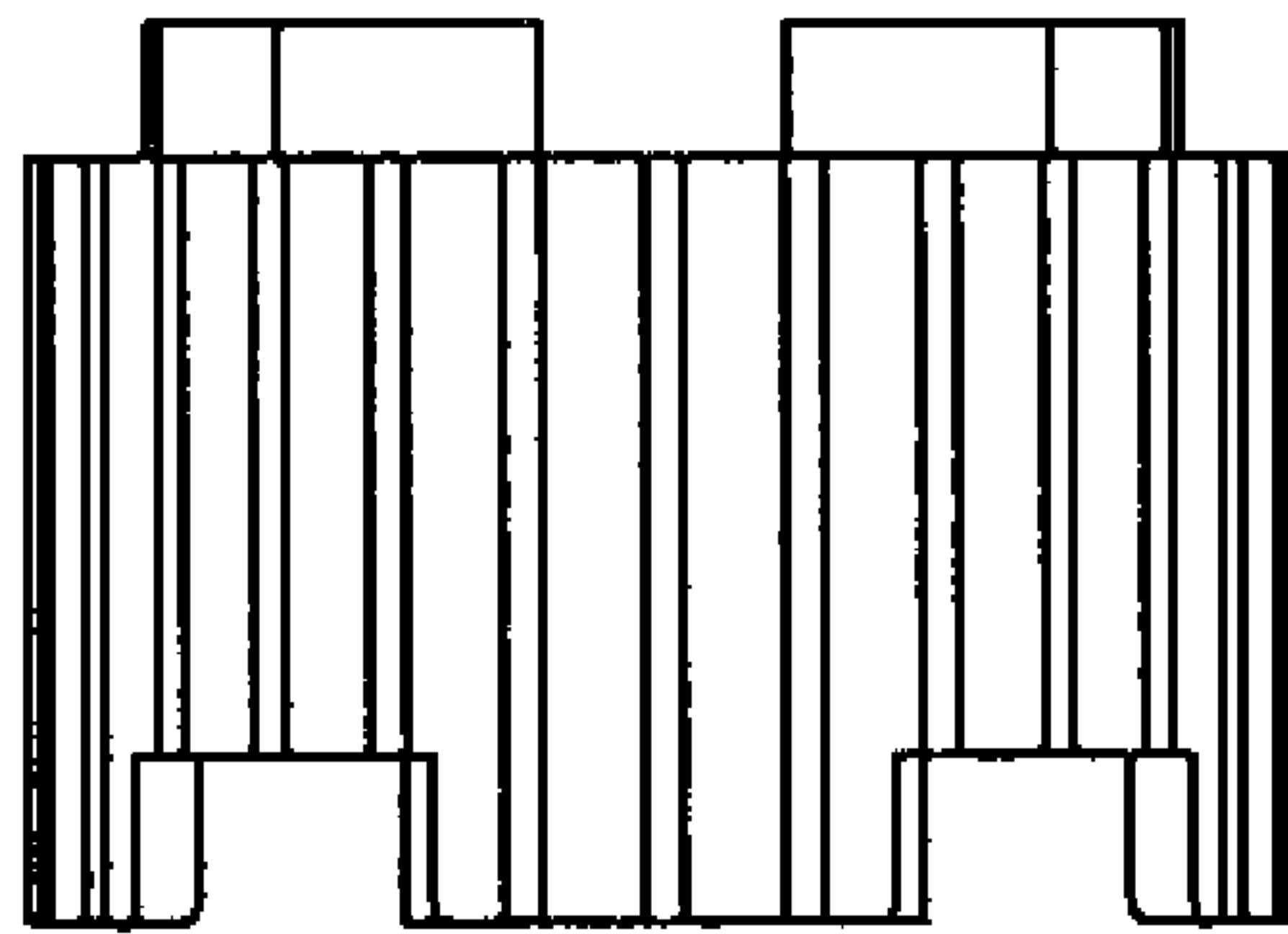


FIG. 3

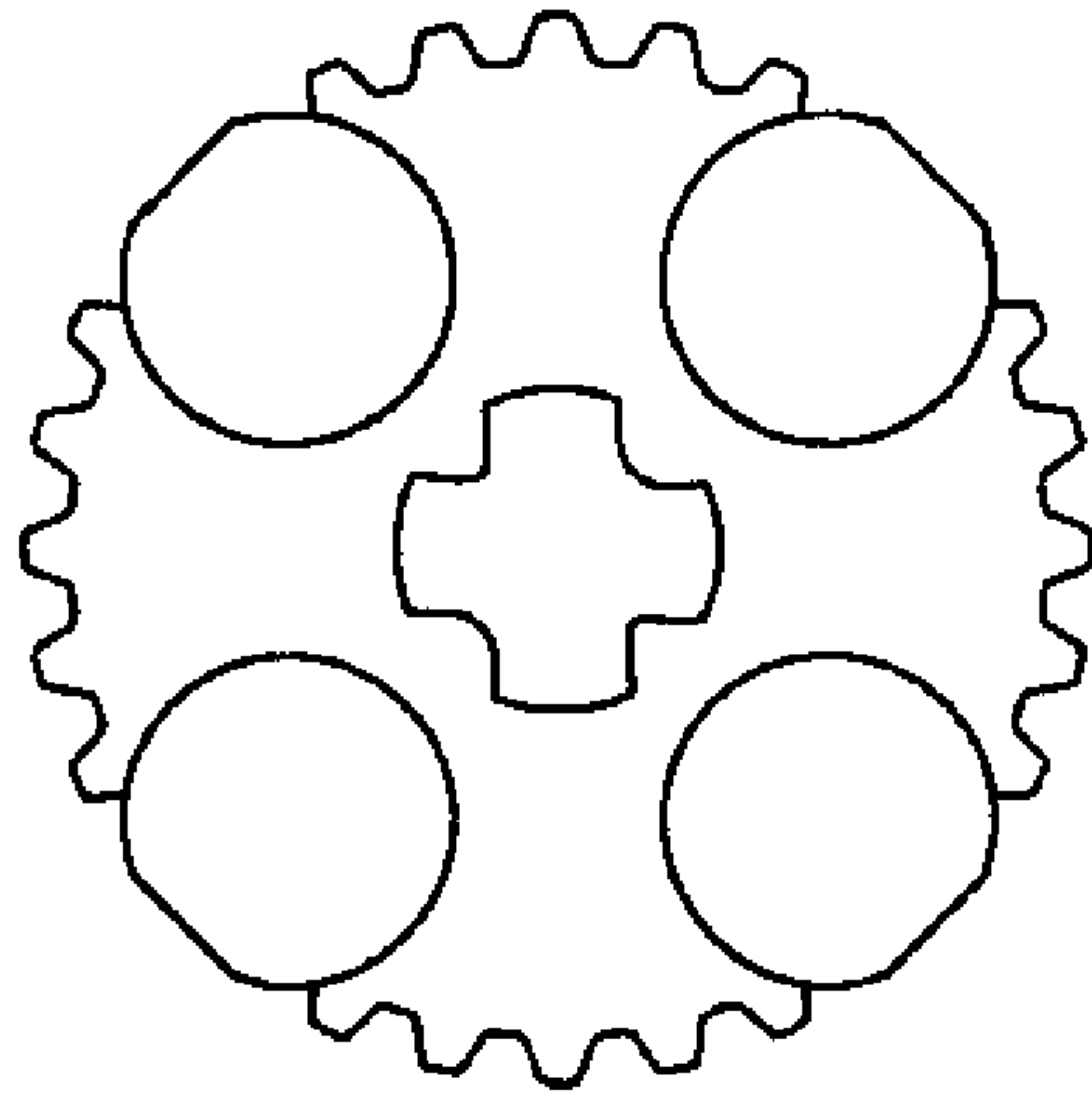


FIG. 4

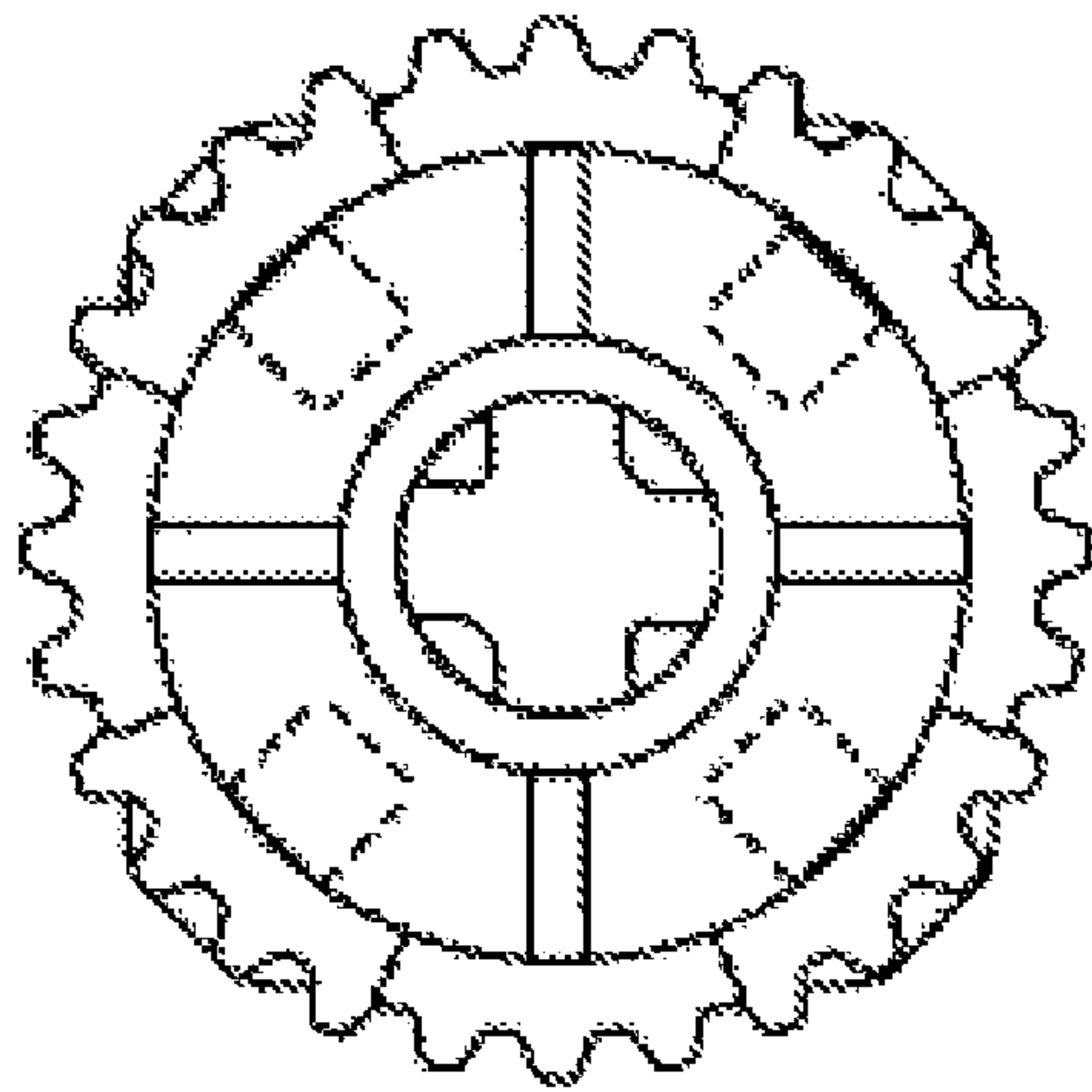


FIG. 5