

US00D672400S

(12) **United States Design Patent**
Pizzi

(10) **Patent No.:** **US D672,400 S**

(45) **Date of Patent:** **** Dec. 11, 2012**

(54) **THREE-WHEELED ELECTRIC SCOOTER**

(76) Inventor: **Larry Pizzi**, Chatsworth, CA (US)

(**) Term: **14 Years**

(21) Appl. No.: **29/374,203**

(22) Filed: **Jul. 13, 2011**

(51) **LOC (9) Cl.** **21-01**

(52) **U.S. Cl.** **D21/423**

(58) **Field of Classification Search** D21/419,
D21/421, 423, 426-428, 435, 668-671, 760,
D21/765, 771; D12/1, 8, 108, 112, 113;
280/8, 14.21, 14.25, 14.26, 87.041, 87.042,
280/200, 214, 220, 221, 239, 263, 288.1,
280/288.2, 288.4, 809; 180/180, 181, 227,
180/228

See application file for complete search history.

(56) **References Cited**

U.S. PATENT DOCUMENTS

D475,093 S * 5/2003 Furter et al. D21/423
D489,771 S * 5/2004 Laver et al. D21/423

D497,397 S * 10/2004 Sramek D21/423
D516,132 S * 2/2006 Sramek D21/423
D564,037 S * 3/2008 Cramer et al. D21/423
D654,964 S * 2/2012 Herlitz et al. D21/423
D654,965 S * 2/2012 Herlitz et al. D21/423
D656,560 S * 3/2012 Patterson et al. D21/423

* cited by examiner

Primary Examiner — Cynthia M Chin

(74) *Attorney, Agent, or Firm* — Sandy Lipkin

(57) **CLAIM**

The ornamental design for three-wheeled electric scooter, as shown and described.

DESCRIPTION

FIG. 1 is a front perspective view of the electric scooter.

FIG. 2 is a front view of the electric scooter.

FIG. 3 is a rear view of the electric scooter.

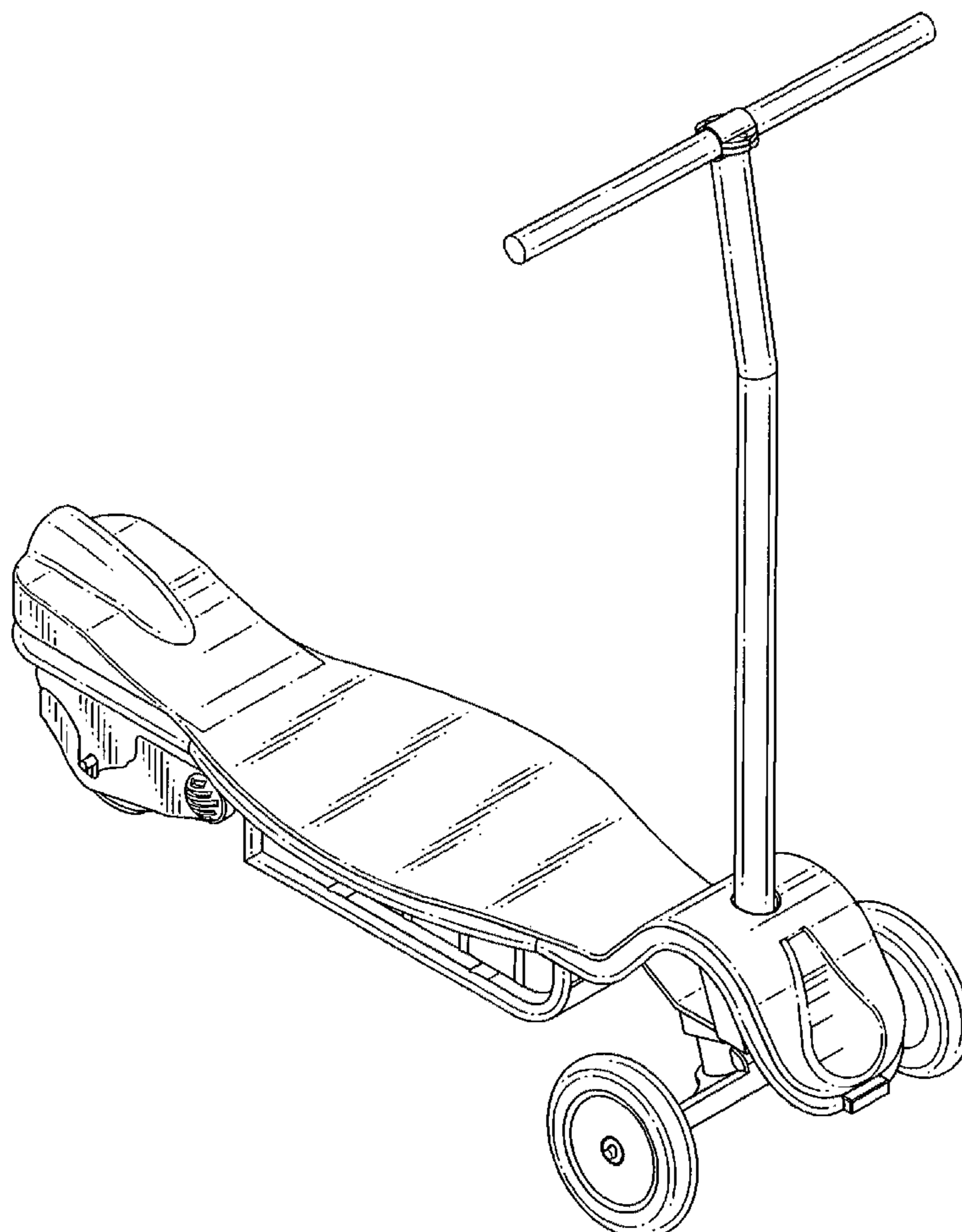
FIG. 4 is a first side view of the electric scooter.

FIG. 5 is a second side view of the electric scooter.

FIG. 6 is a top view of the electric scooter; and,

FIG. 7 is a bottom view of the electric scooter.

1 Claim, 7 Drawing Sheets



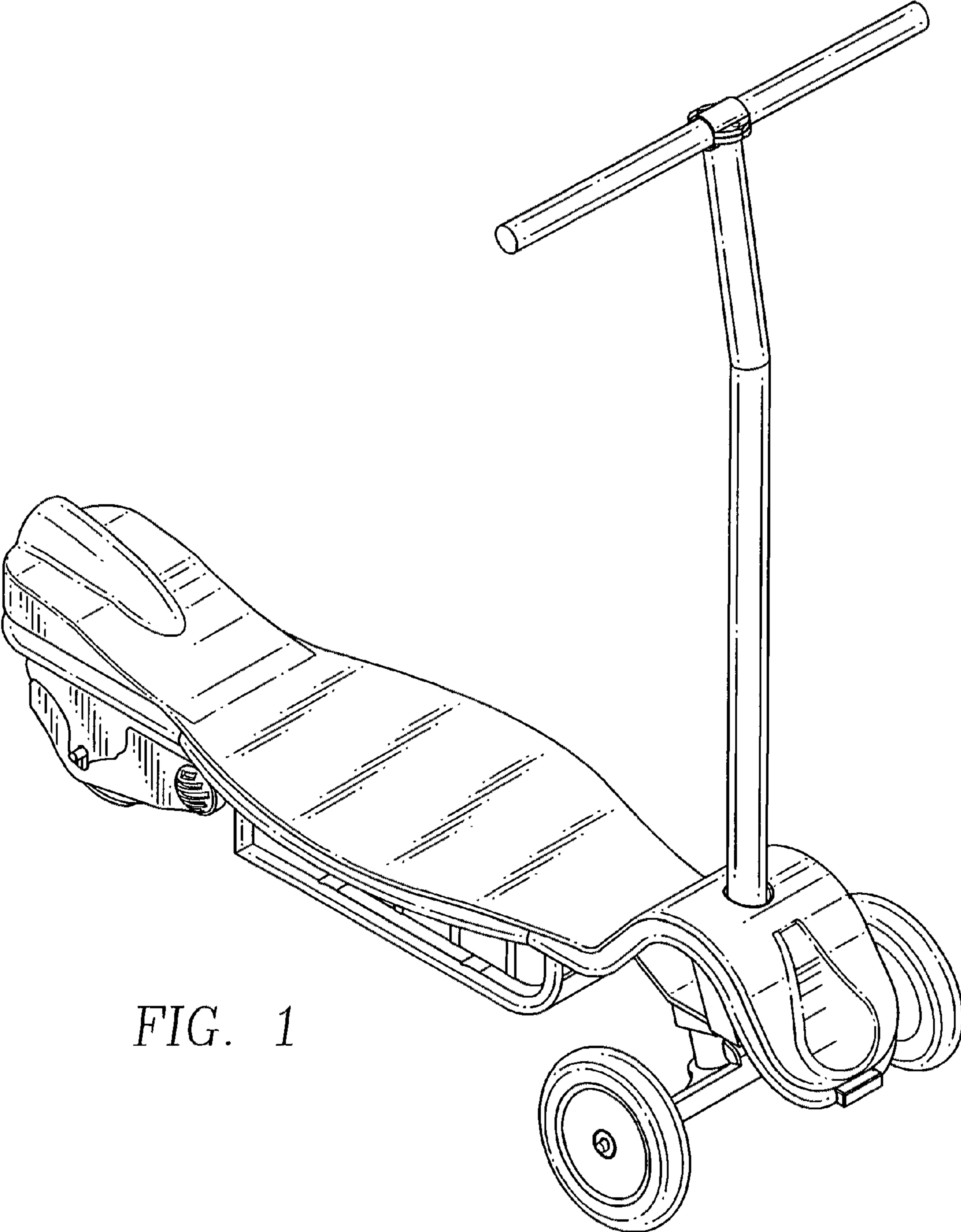


FIG. 1

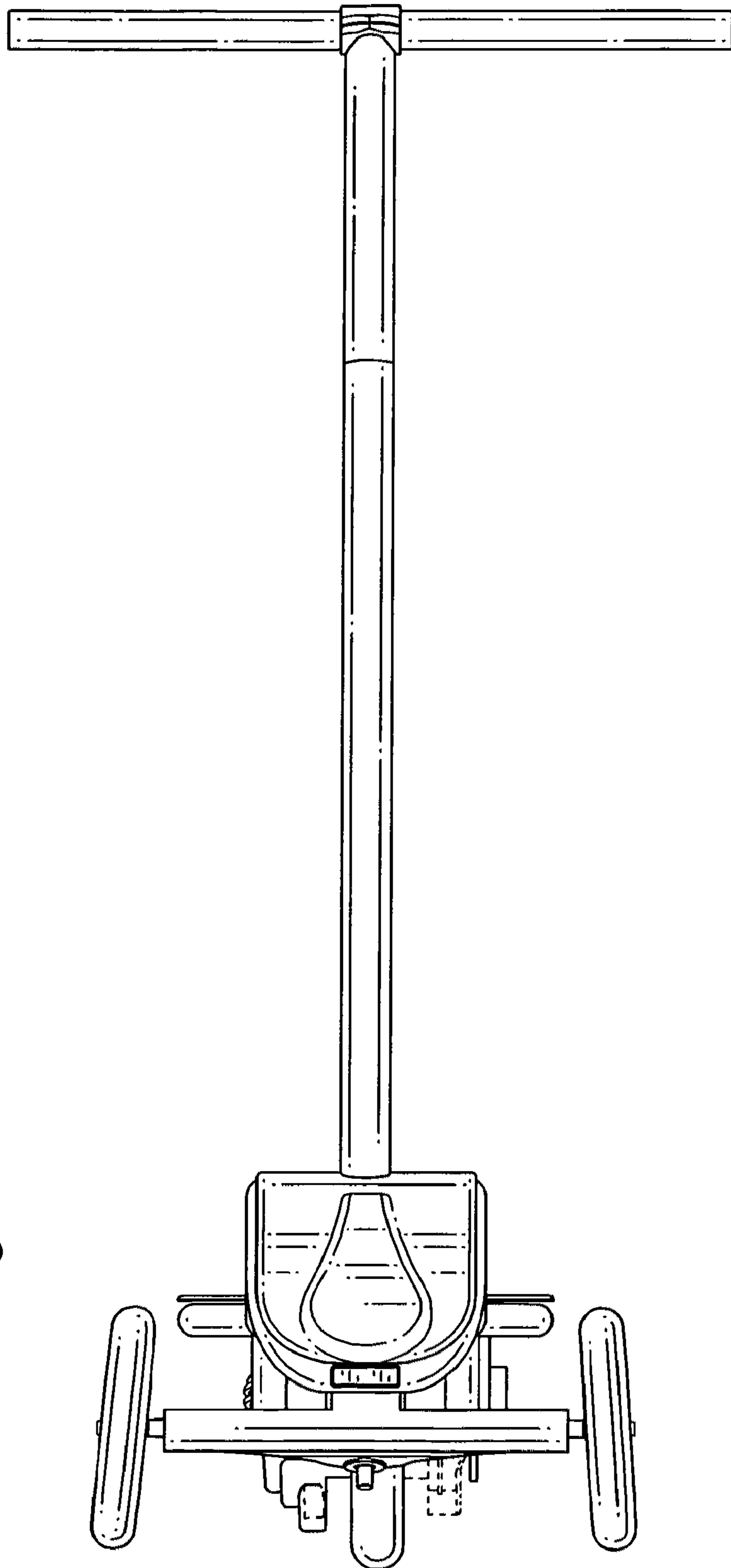


FIG. 2

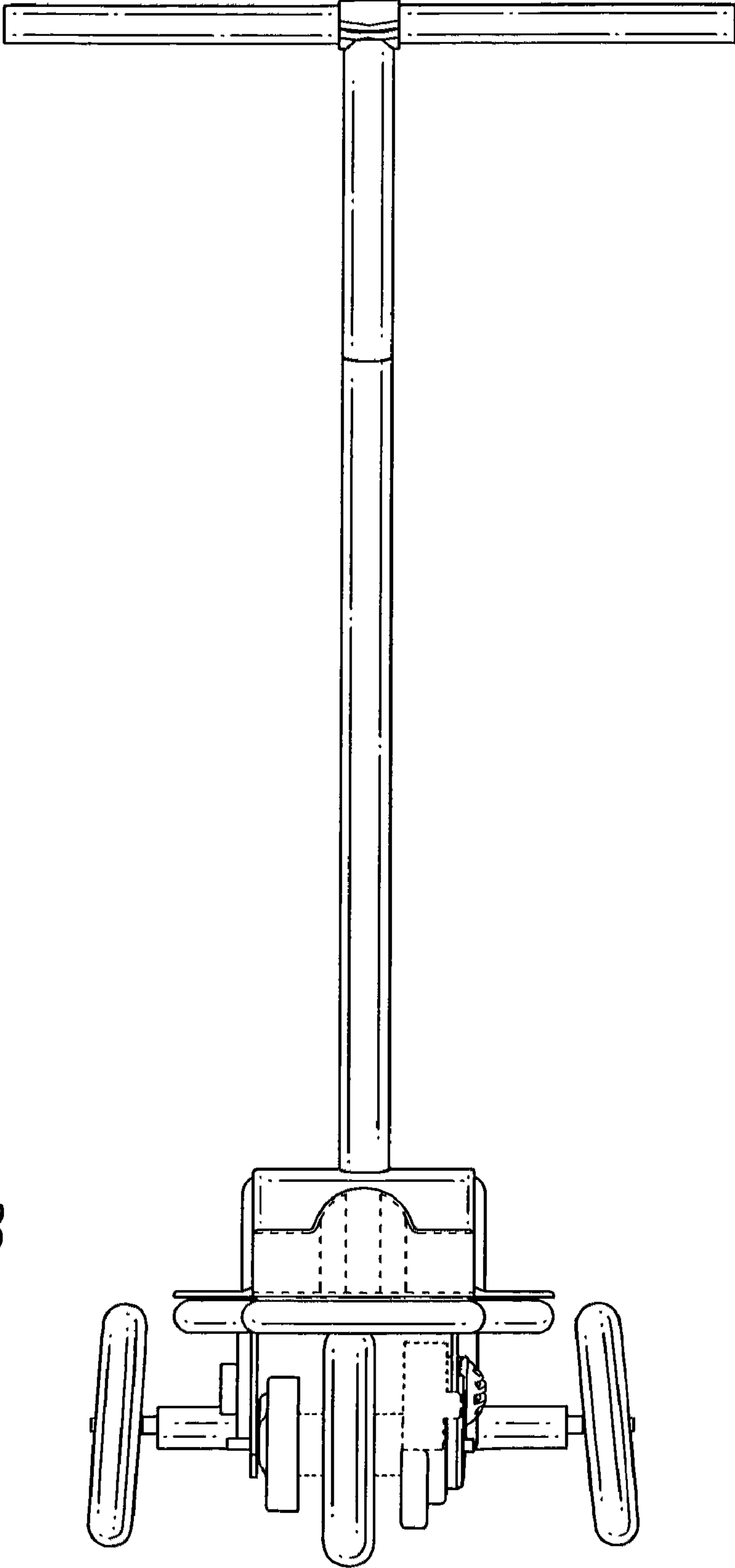


FIG. 3

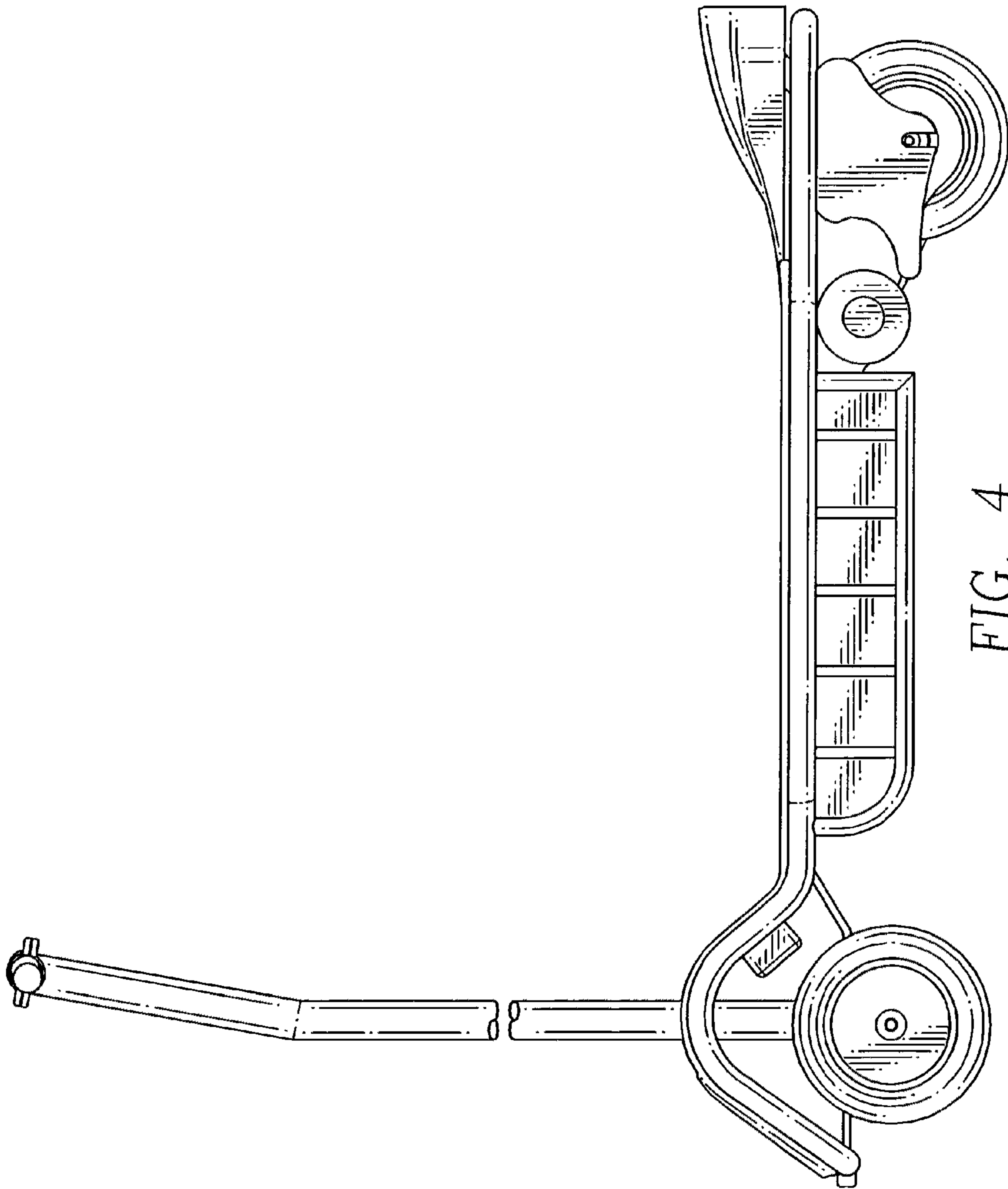


FIG. 4

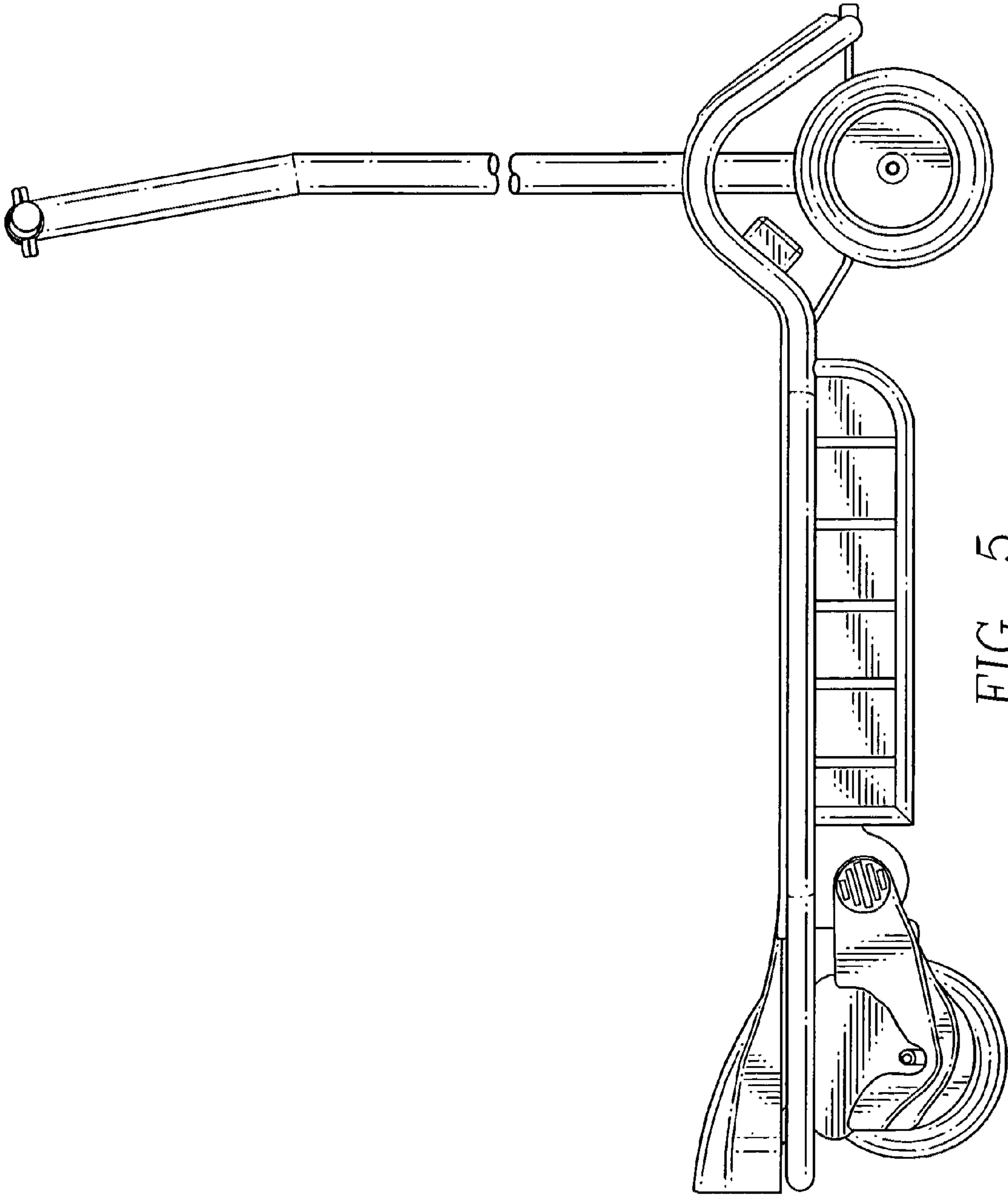


FIG. 5

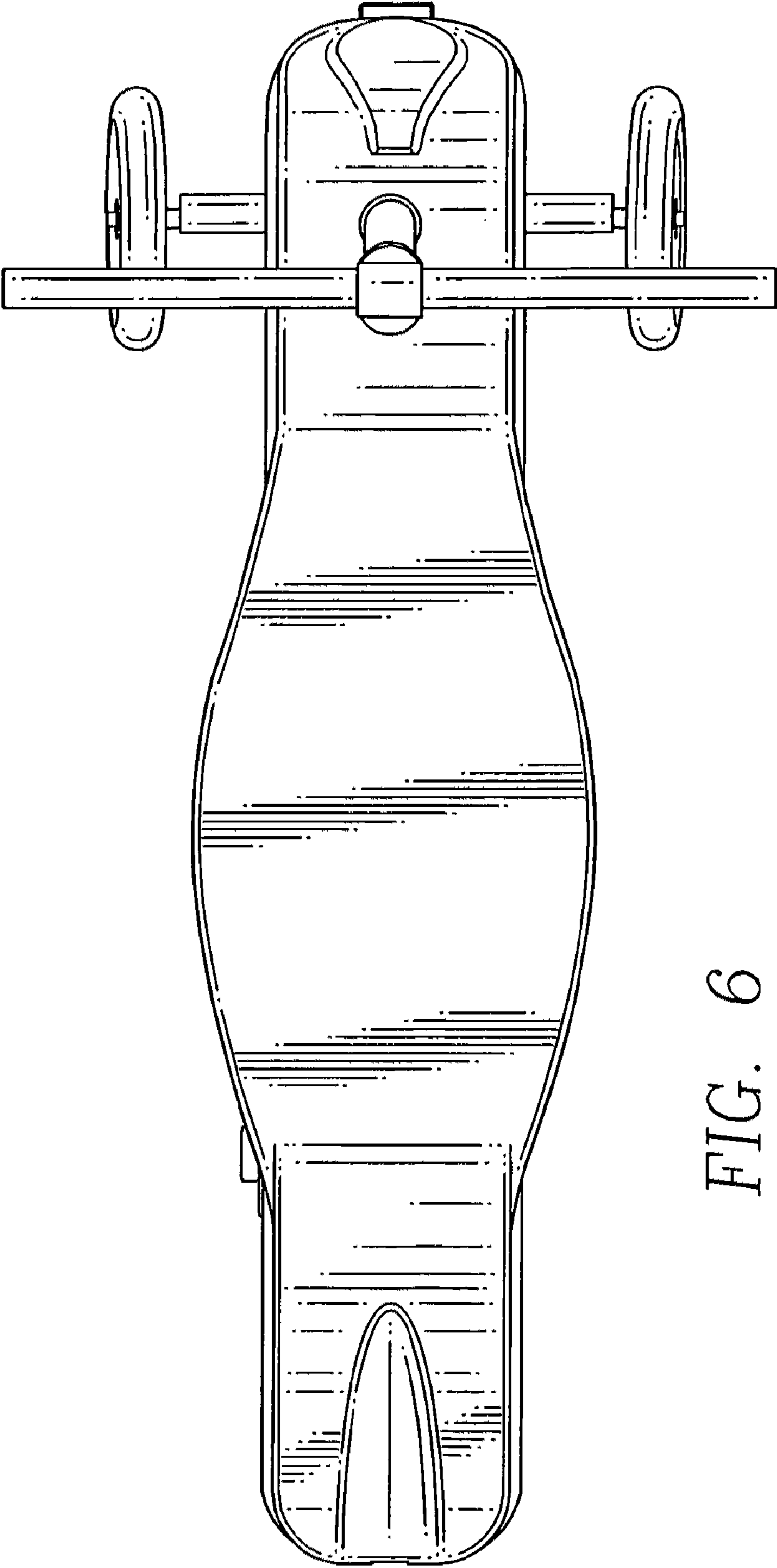


FIG. 6

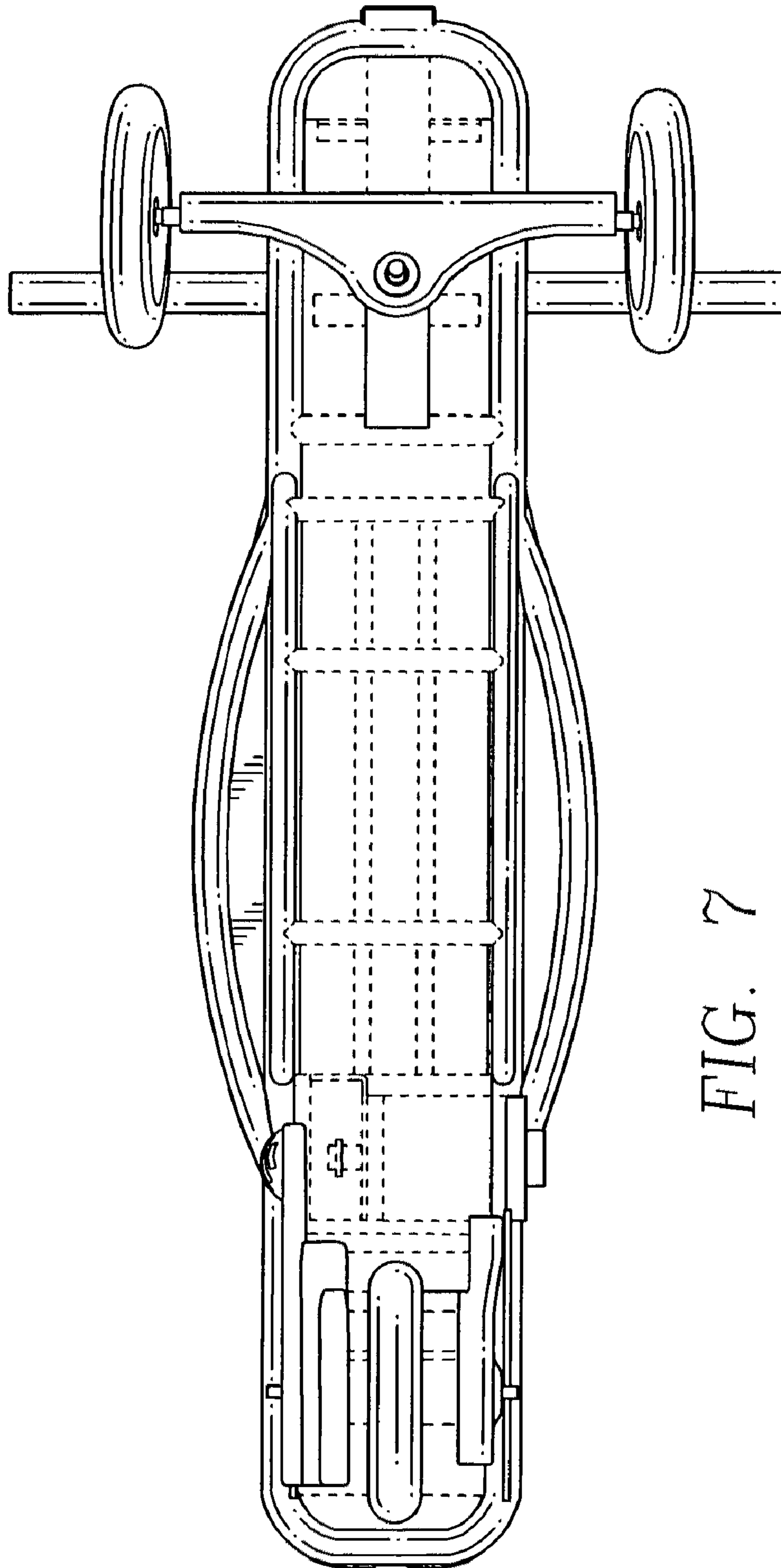


FIG. 7