



US00D672397S

(12) **United States Design Patent**
Wai

(10) **Patent No.:** **US D672,397 S**

(45) **Date of Patent:** **** Dec. 11, 2012**

(54) **TOY REMOTE CONTROLLER**
(75) Inventor: **Chi Pok Billy Wai**, Causeway Bay (HK)
(73) Assignee: **Silverlit Limited**, Hong Kong (HK)
(**) Term: **14 Years**

7,193,165 B2 * 3/2007 Kawanobe et al. 200/5 R
D542,855 S * 5/2007 Lim D21/333
D551,230 S * 9/2007 Lau et al. D14/401
D568,884 S * 5/2008 Kawanobe et al. D14/401

* cited by examiner

Primary Examiner — Prabhakar Deshmukh

(21) Appl. No.: **29/405,996**
(22) Filed: **Nov. 9, 2011**
(51) **LOC (9) Cl.** **21-01**
(52) **U.S. Cl.** **D21/333; D14/401**
(58) **Field of Classification Search** D14/399–401,
D14/412–416; D21/324, 333; 273/148 B;
463/1, 29–39, 46, 47; 345/156–161, 905
See application file for complete search history.

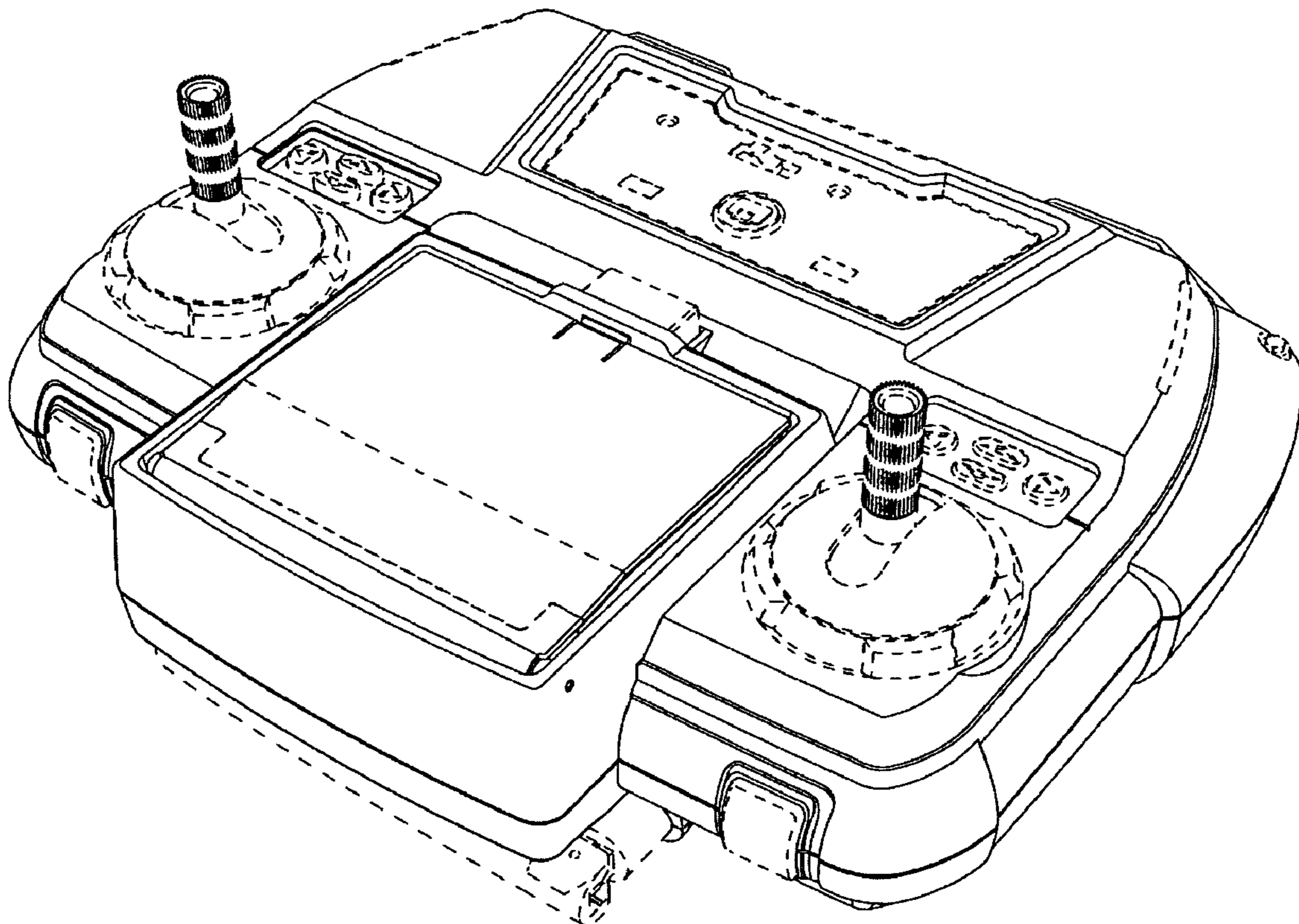
(57) **CLAIM**
The ornamental design for a toy remote controller, as shown and described.

DESCRIPTION

FIG. 1 is a front view of a toy remote controller;
FIG. 2 is a side view of the toy remote controller;
FIG. 3 is a front perspective side view of the toy remote controller;
FIG. 4 is a rear perspective side view of the toy remote controller; and,
FIG. 5 is an enlarged fragmentary perspective view showing a LCD monitor of the toy remote controller with cover in open condition.
Broken lines are for illustrative purposes only and form no part of the claimed design.

(56) **References Cited**
U.S. PATENT DOCUMENTS
5,785,317 A * 7/1998 Sasaki 273/148 B
D397,369 S * 8/1998 Rissman D21/329
D411,863 S * 7/1999 Chan D21/329
6,042,478 A * 3/2000 Ng 463/44
D449,347 S * 10/2001 Christianson D21/329
D453,536 S * 2/2002 Ota et al. D21/329
D539,354 S * 3/2007 Mak D21/329

1 Claim, 4 Drawing Sheets



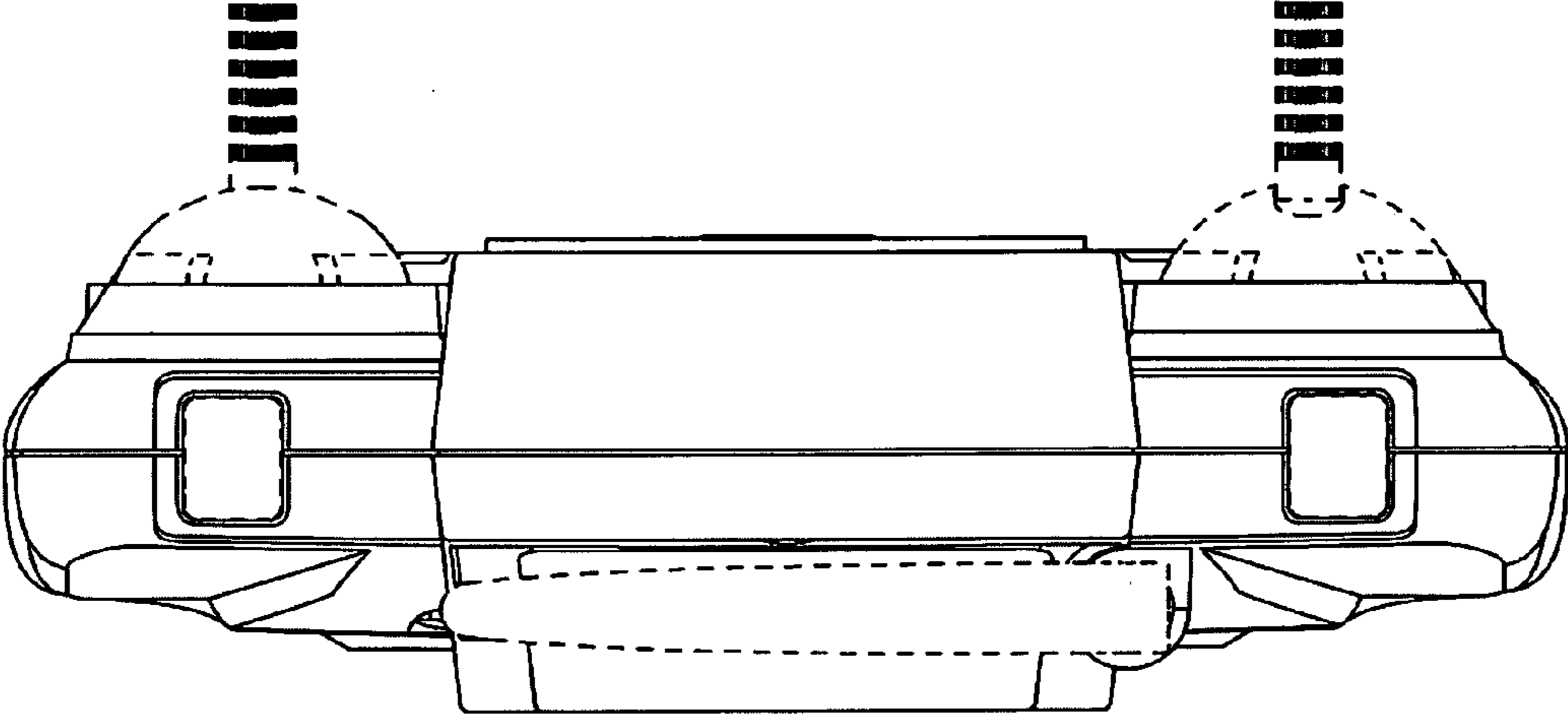


FIG 1

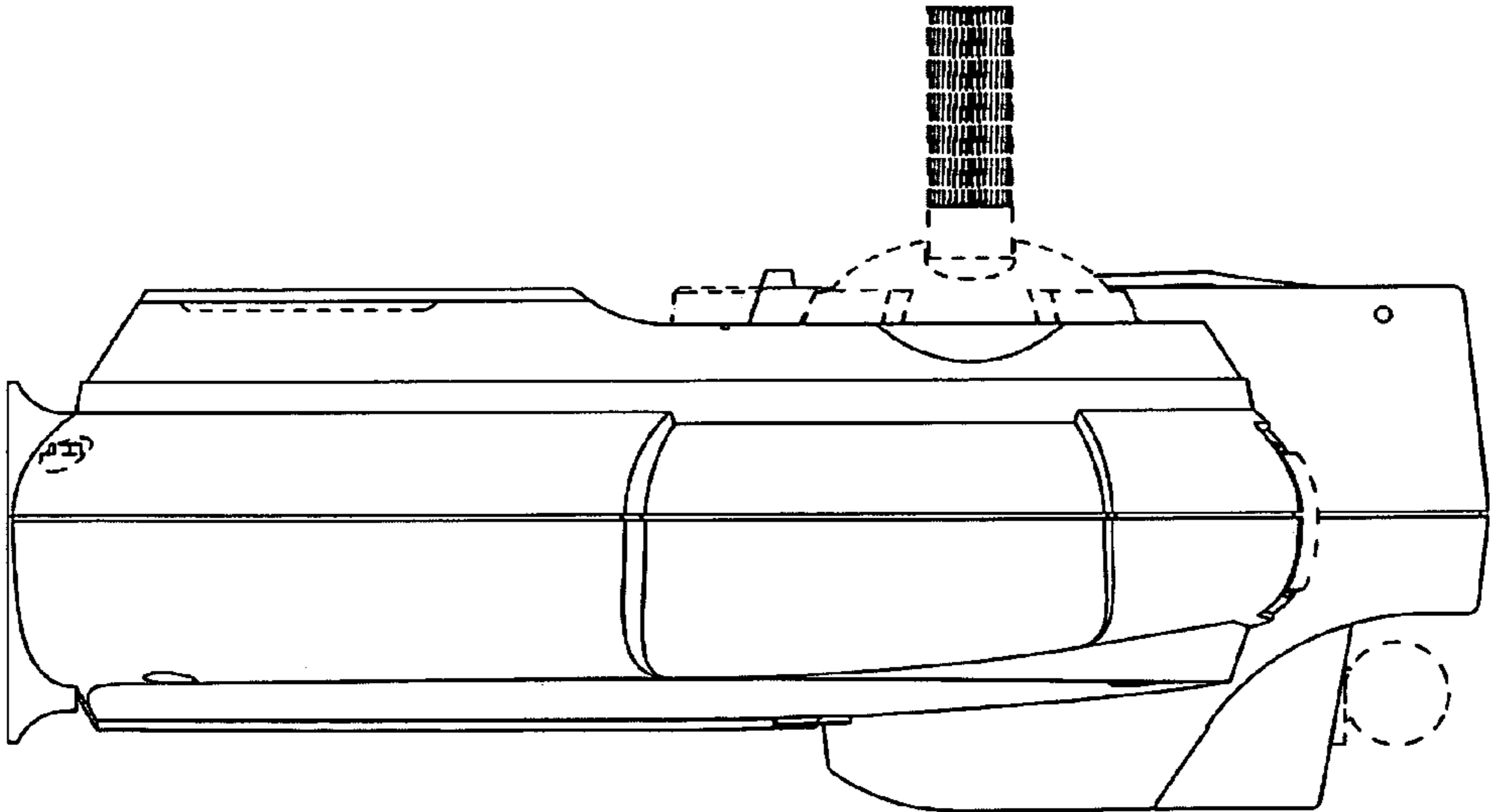


FIG 2

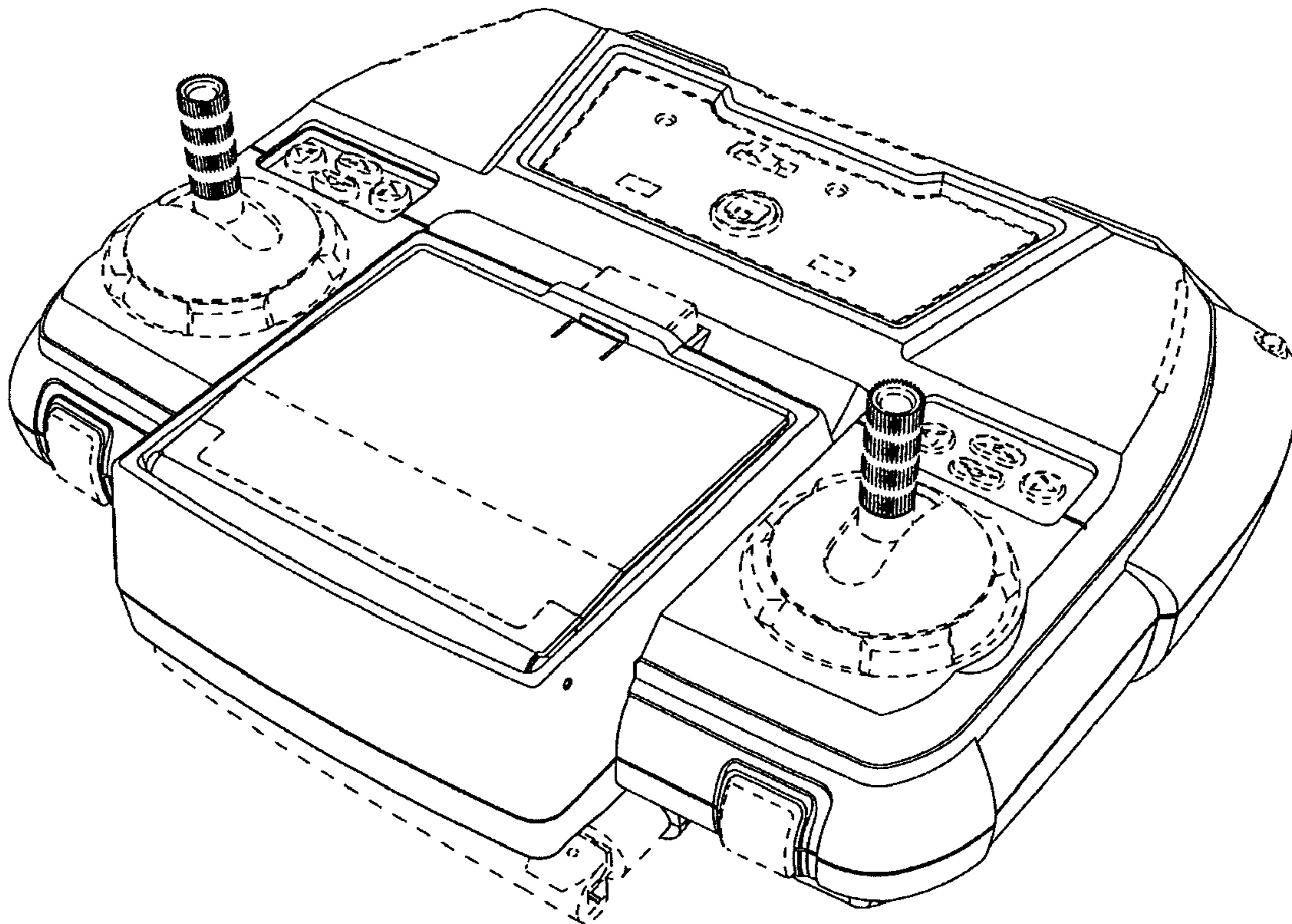


FIG 3

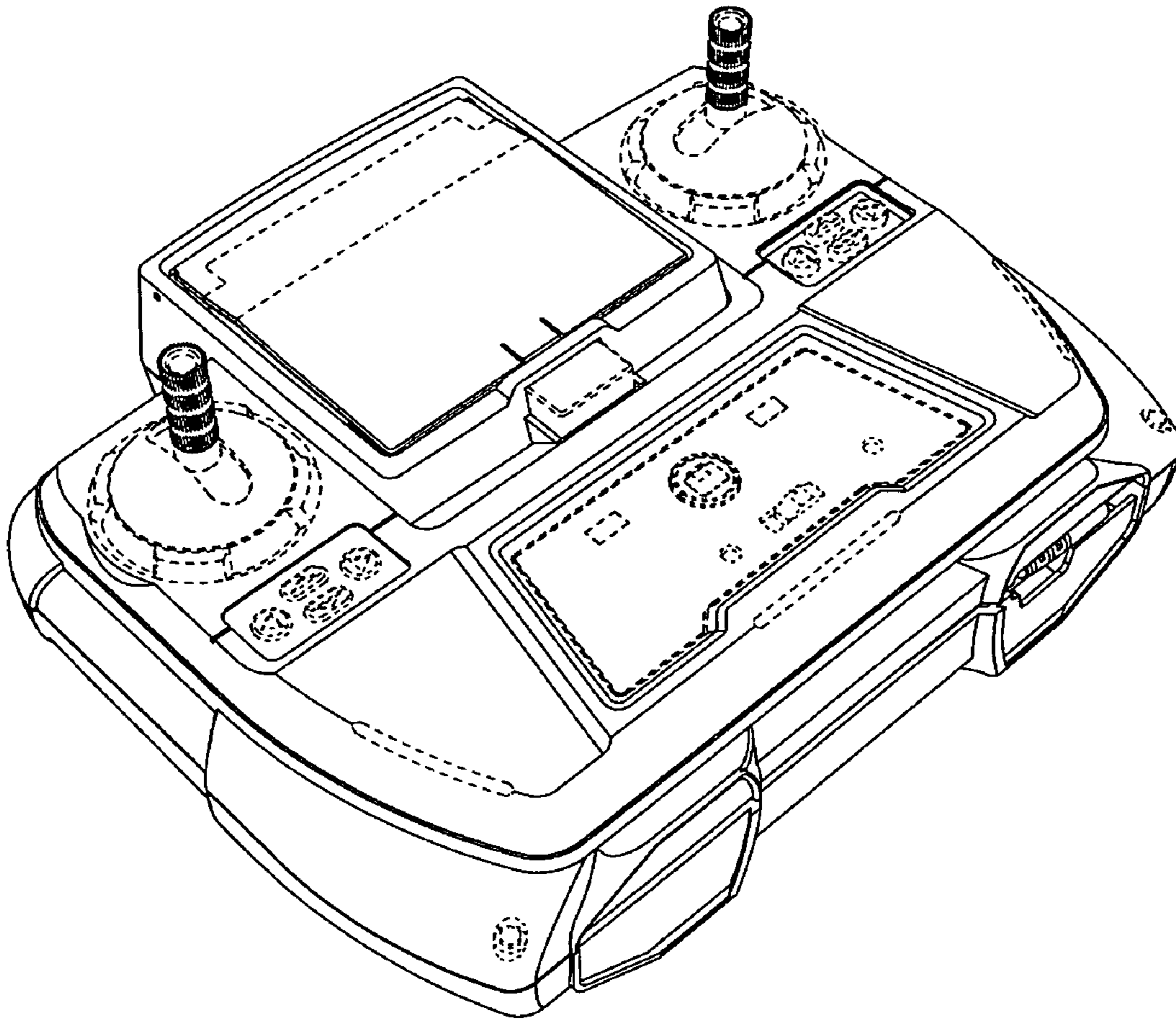


FIG 4

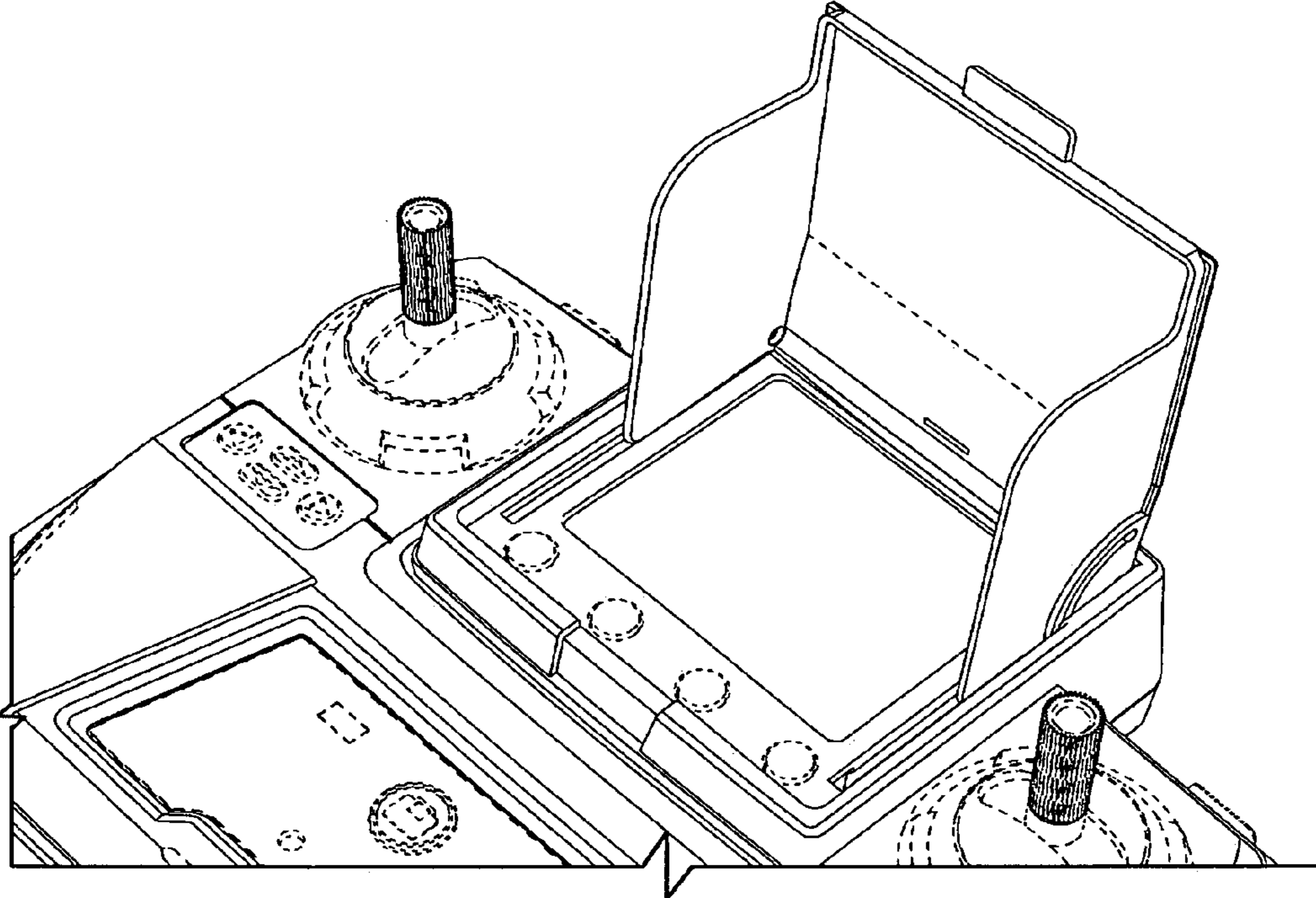


FIG 5