



US00D672395S

(12) **United States Design Patent**
Chuang

(10) **Patent No.:** **US D672,395 S**
(45) **Date of Patent:** **** Dec. 11, 2012**

(54) **DRAWER TRAY**
(75) Inventor: **Chih-Wei Chuang**, Edison, NJ (US)
(73) Assignee: **Officemate International Corp.**,
Edison, NJ (US)
(**) Term: **14 Years**
(21) Appl. No.: **29/373,884**
(22) Filed: **Jun. 3, 2011**
(51) **LOC (9) Cl.** **19-06**
(52) **U.S. Cl.** **D19/77**
(58) **Field of Classification Search** D3/304,
D3/310, 313, 314, 315; D6/467, 468, 475,
D6/510; D7/553.1, 554.3; D9/737; D19/75,
D19/77-92, 99, 100; 206/214, 224, 371,
206/558; 211/126.1
See application file for complete search history.

D360,529 S * 7/1995 Balzen D3/313
D363,856 S * 11/1995 Westbrooks, Jr. D7/553.2
D380,299 S * 7/1997 Schlaeger et al. D3/310
5,738,425 A * 4/1998 Rosenberg et al. 312/348.3
D396,955 S * 8/1998 Iversen et al. D3/313
D419,772 S * 2/2000 Williams D3/313
D431,110 S * 9/2000 Dembicks D3/313
D447,871 S * 9/2001 Dembicks D3/313
D450,185 S * 11/2001 Dembicks D3/313
D450,186 S * 11/2001 Dembicks D3/313
D450,454 S * 11/2001 Dembicks D3/313
D450,455 S * 11/2001 Dembicks D3/313
D452,077 S * 12/2001 Dembicks D3/313
D452,376 S * 12/2001 Dembicks D3/313
D472,711 S * 4/2003 Chen D3/313
D490,244 S * 5/2004 Pero D3/315
D492,195 S * 6/2004 Shabaz D9/737
D512,836 S * 12/2005 Marnell, II D3/313
D537,633 S * 3/2007 Marnell, II D3/313
D555,938 S * 11/2007 Brisco D6/476
D563,727 S * 3/2008 Lovett D7/553.3
D568,687 S * 5/2008 Lovett D7/553.3
D579,662 S * 11/2008 Dretzka D3/313
D595,959 S * 7/2009 Wade et al. D3/319
2009/0162506 A1 * 6/2009 Weir 426/396

* cited by examiner

(56) **References Cited**

U.S. PATENT DOCUMENTS

D167,732 S * 9/1952 Alba D3/310
D171,324 S * 1/1954 Puy D7/549
D190,131 S * 4/1961 Traum D3/310
D195,392 S * 6/1963 Parkinson D24/230
D199,684 S * 12/1964 Lombardo D7/553.2
D242,654 S * 12/1976 Rawls D24/229
D261,589 S * 11/1981 Herbst D7/553.5
D264,538 S * 5/1982 Pomroy D7/553.2
D276,201 S * 11/1984 Wolff D7/553.3
D292,768 S * 11/1987 Kearney D7/553.5
D301,590 S * 6/1989 Foran et al. D19/77
D308,699 S * 6/1990 Ancona et al. D19/75
D309,971 S * 8/1990 Quong D3/311
D321,074 S * 10/1991 Eby D3/313
D323,425 S * 1/1992 Ricchiuti D12/419
D328,099 S * 7/1992 Williams D19/75
D330,219 S * 10/1992 Carlson et al. D19/77
D338,808 S * 8/1993 Anderson D7/553.5
D354,310 S * 1/1995 Crist et al. D19/75
5,385,230 A * 1/1995 Nygard et al. 206/214
D355,333 S * 2/1995 Campbell D7/553.2
D357,034 S * 4/1995 King D19/77

Primary Examiner — Elizabeth Albert

(74) *Attorney, Agent, or Firm* — Daniel Kirshner

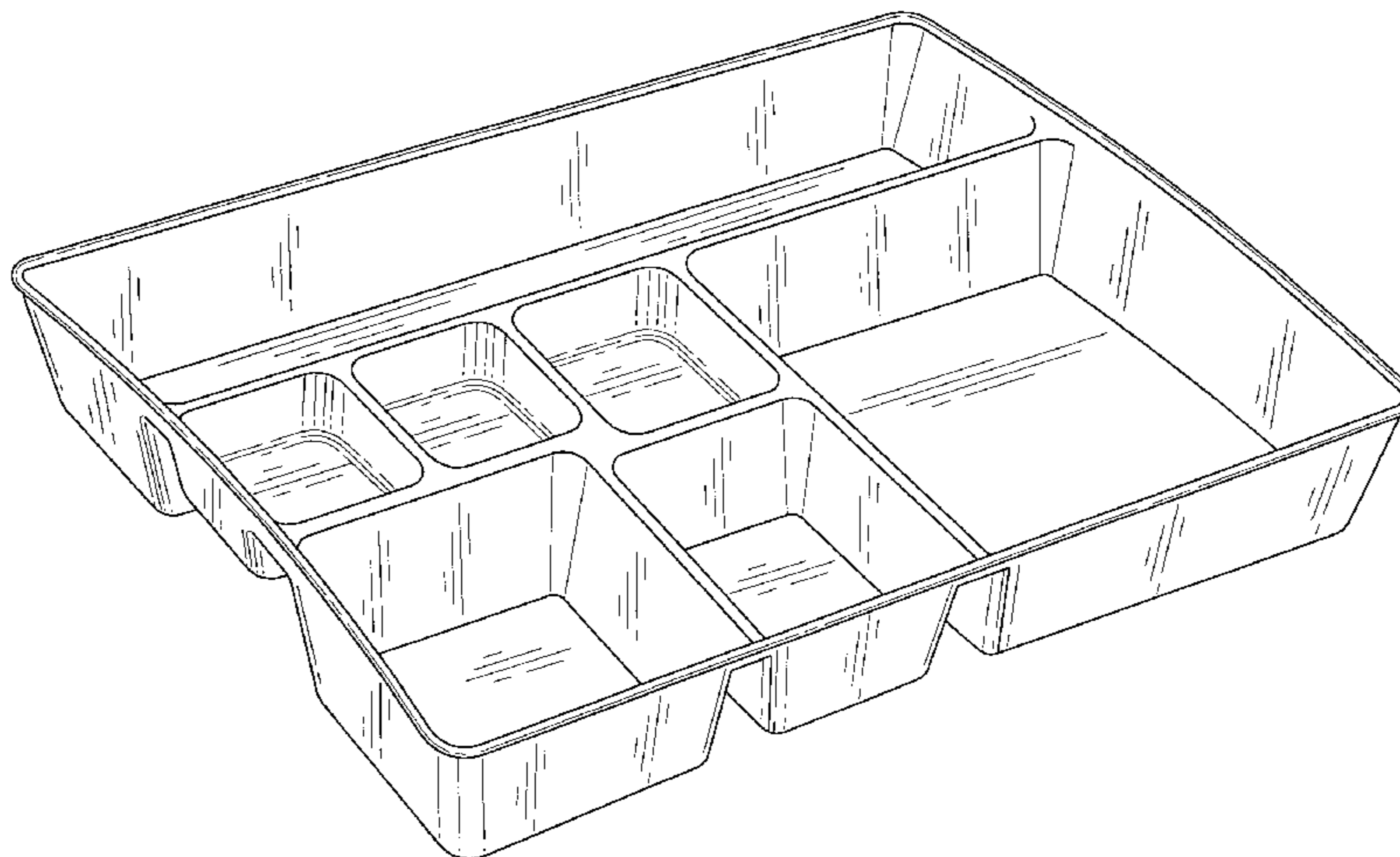
(57) **CLAIM**

The ornamental design for a drawer tray, as shown and described.

DESCRIPTION

FIG. 1 is a front perspective view of an drawer tray showing the new design;
FIG. 2 is a rear perspective view thereof;
FIG. 3 is a rear view thereof;
FIG. 4 is a front view thereof;
FIG. 5 is a left side thereof;
FIG. 6 is a right side thereof;
FIG. 7 is a top view thereof; and,
FIG. 8 is a bottom view thereof.

1 Claim, 8 Drawing Sheets



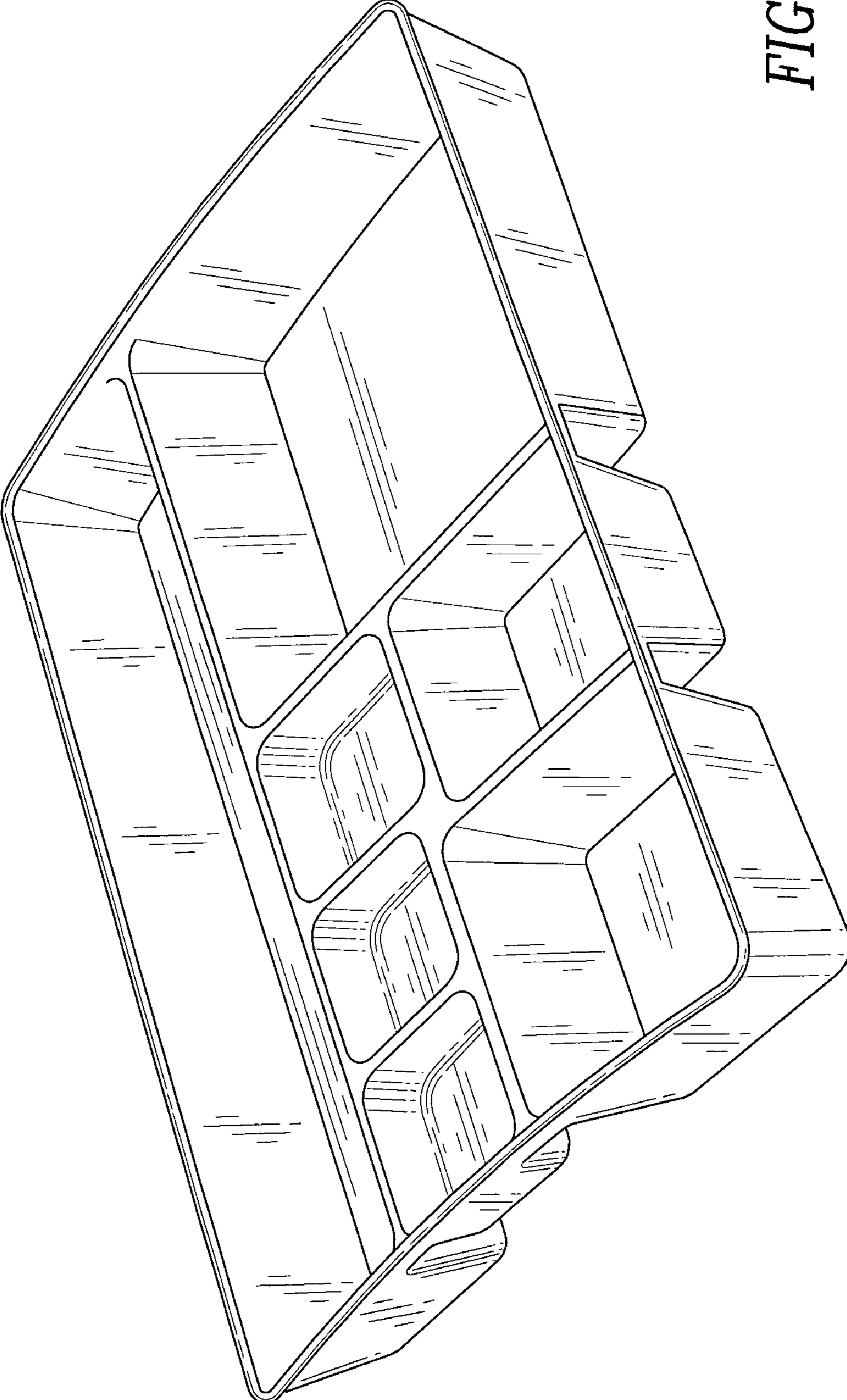


FIG. 1

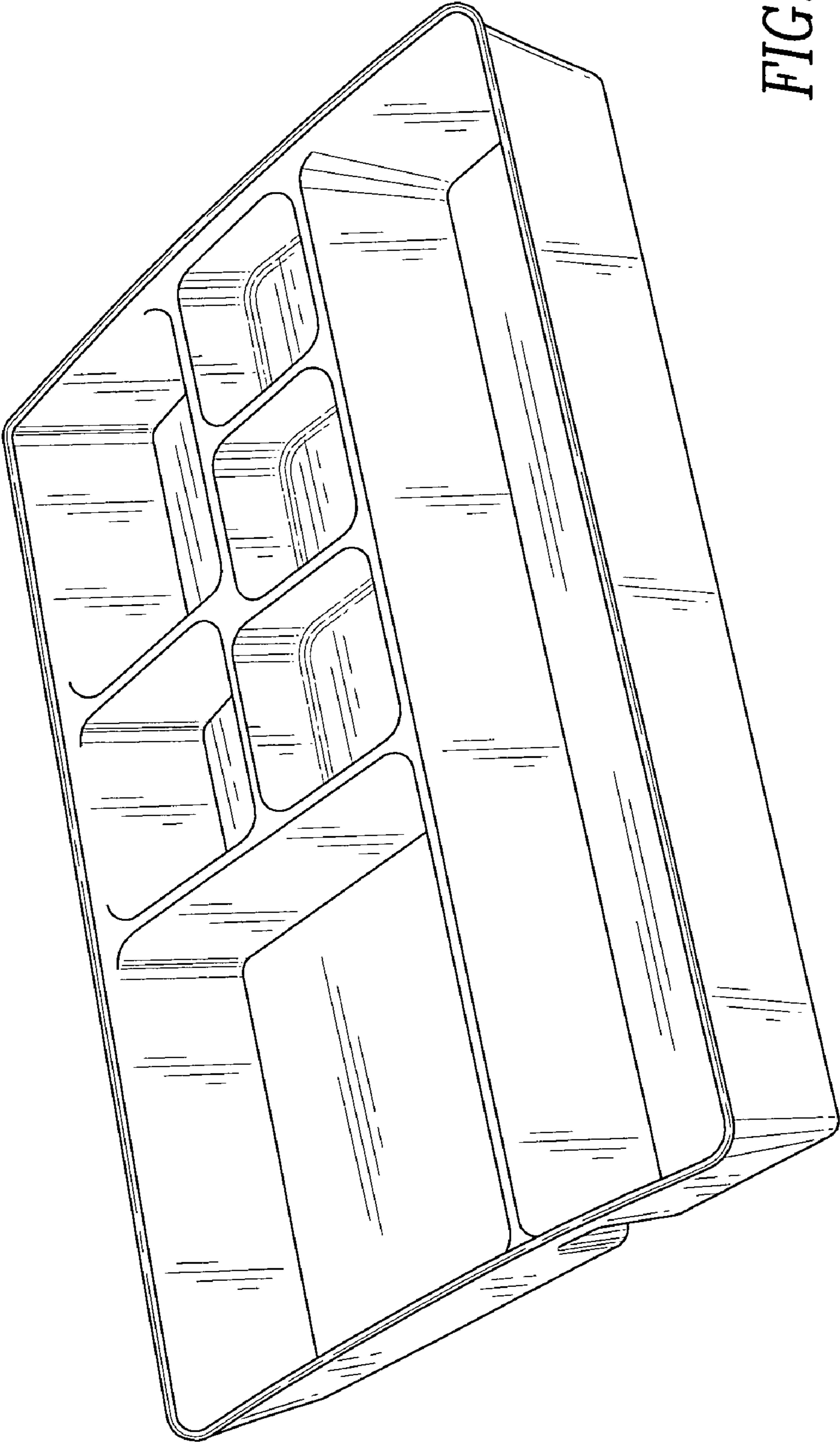


FIG. 2

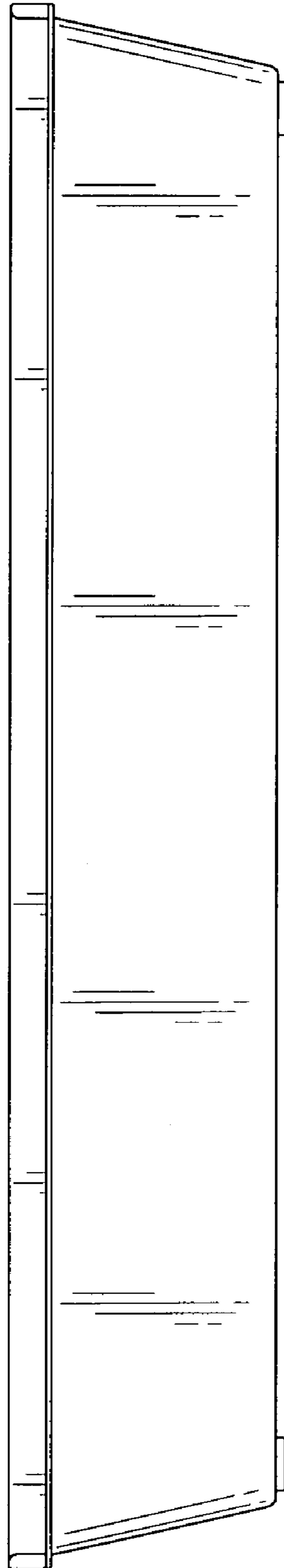


FIG. 3

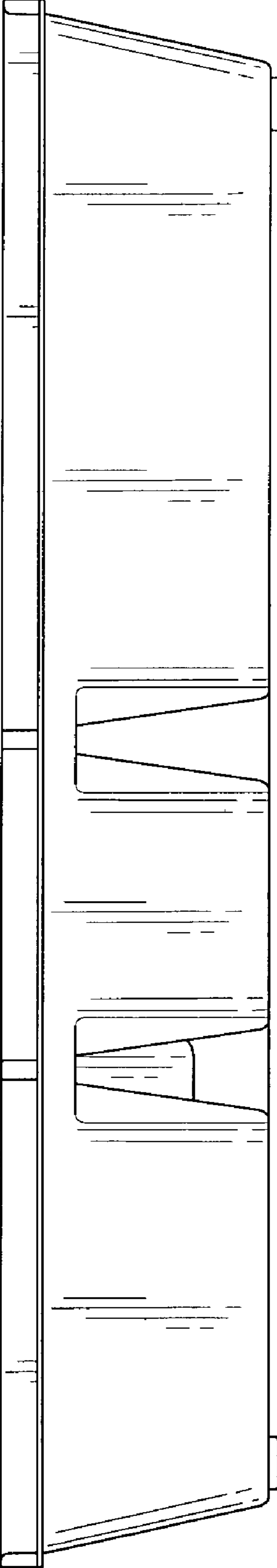


FIG. 4

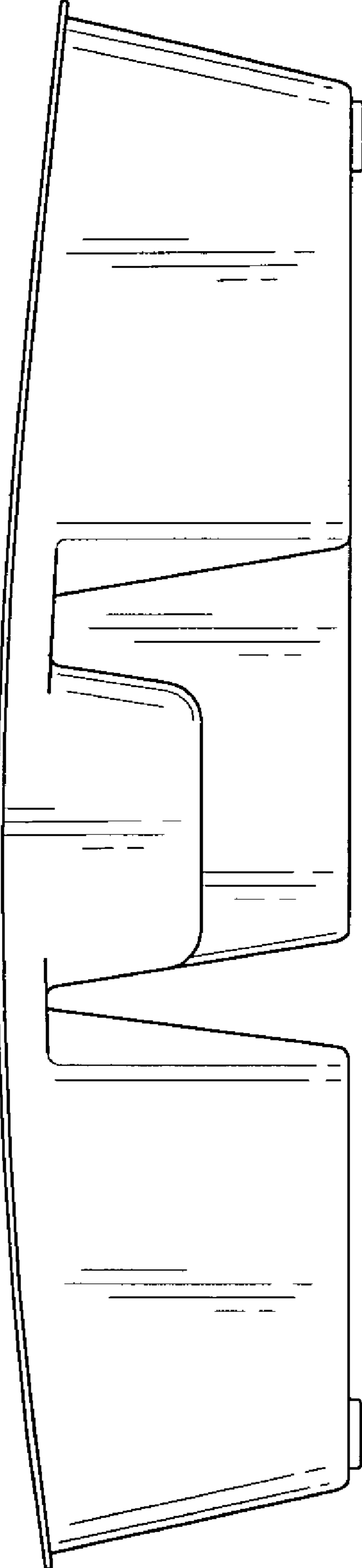


FIG. 5

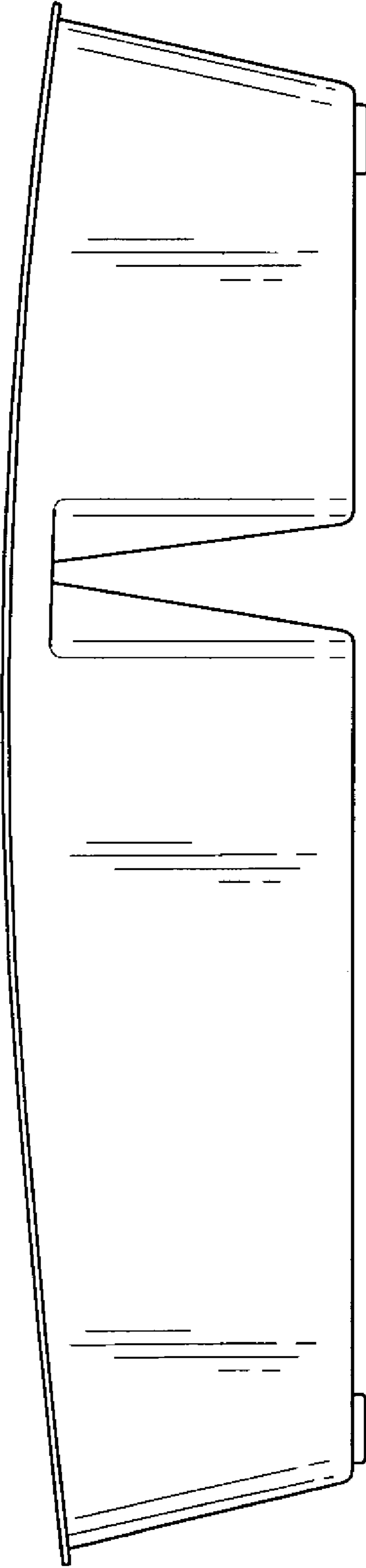


FIG. 6

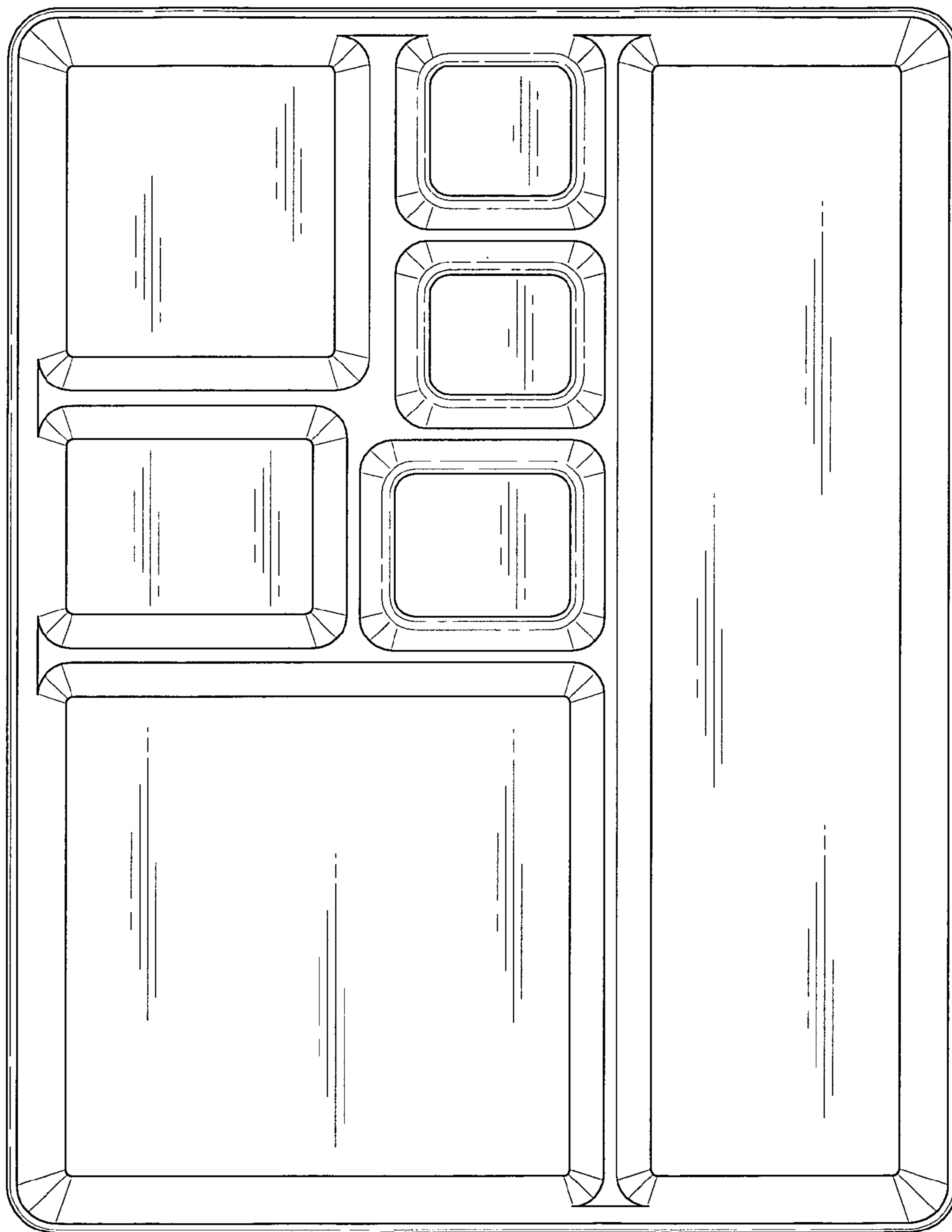


FIG. 7

FIG. 8

