



US00D672394S

(12) **United States Design Patent**
Lau

(10) **Patent No.:** **US D672,394 S**

(45) **Date of Patent:** **** Dec. 11, 2012**

(54) **NOTE AND CLIP**

(76) Inventor: **Janet K. Lau**, Union City, CA (US)

(**) Term: **14 Years**

(21) Appl. No.: **29/424,143**

(22) Filed: **Jun. 7, 2012**

(51) **LOC (9) Cl.** **19-02**

(52) **U.S. Cl.** **D19/65**

(58) **Field of Classification Search** D8/394,
D8/395; D19/65, 86, 99, 100, 1, 2, 4; 24/67 R,
24/67.1, 67.3, 67.5, 67.7, 67.9, 67.11, 67 P;
D11/14, 30, 44, 56, 103, 211, 217, 219, 223,
D11/232, 238

See application file for complete search history.

(56) **References Cited**

U.S. PATENT DOCUMENTS

1,801,390	A *	4/1931	Schloss	2/230
1,840,604	A *	1/1932	Randall	24/67.11
1,997,894	A *	4/1935	Woodley	24/67.11
2,933,970	A *	4/1960	Pagano	411/520
3,286,381	A *	11/1966	Wooge	40/641
4,201,403	A *	5/1980	Turner	283/74
4,324,343	A *	4/1982	Moller	220/270
4,384,417	A *	5/1983	Thompson	40/659
4,393,618	A *	7/1983	Ray	446/71
5,372,268	A *	12/1994	Han	215/232
D368,487	S *	4/1996	Lindberg	D19/1
5,533,236	A *	7/1996	Tseng	24/67.5
5,638,583	A *	6/1997	Tseng	24/67.5
5,896,624	A *	4/1999	Horswell	24/67.5
D415,206	S *	10/1999	Gaines	D20/27
6,226,840	B1 *	5/2001	Lu	24/67.5
6,322,531	B1 *	11/2001	Cortese et al.	604/15
D480,754	S *	10/2003	Berger	D19/1
D493,828	S *	8/2004	Edwards	D19/1
D499,452	S *	12/2004	Walsh et al.	D20/22
7,305,741	B2 *	12/2007	Joe	24/67.5
7,318,293	B2 *	1/2008	Ardern, II	40/666

(Continued)

Primary Examiner — Elizabeth Albert

(74) *Attorney, Agent, or Firm* — Aka Chan LLP

(57) **CLAIM**

The ornamental design for a note and clip, as shown and described.

DESCRIPTION

FIG. 1 shows a perspective view of a first embodiment of a design of a note and clip.

FIG. 2 shows a right-side view of FIG. 1. A left-side view is a mirror image of the right-side view.

FIG. 3 shows another perspective view of FIG. 1.

FIG. 4 shows a front view of FIG. 1. A back view is a mirror image of the front view.

FIG. 5 shows the right-side view of FIG. 1. A left-side view is a mirror image of the right-side view.

FIG. 6 shows a back view of FIG. 1. The front view is a mirror image of the back view.

FIG. 7 shows a top view of FIG. 1.

FIG. 8 shows a bottom view of FIG. 1.

FIG. 9 shows a perspective view of a second embodiment of a design of a note and clip.

FIG. 10 shows a right-side view of FIG. 9. A left-side view is a mirror image of the right-side view.

FIG. 11 shows another perspective view of FIG. 9.

FIG. 12 shows a front view of FIG. 9. A back view is a mirror image of the front view.

FIG. 13 shows the right-side view of FIG. 9. A left-side view is a mirror image of the right-side view.

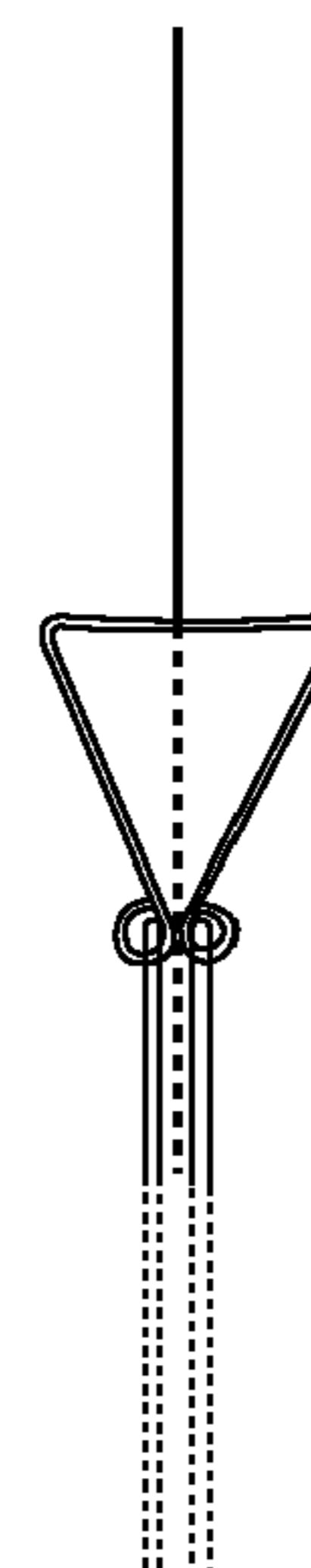
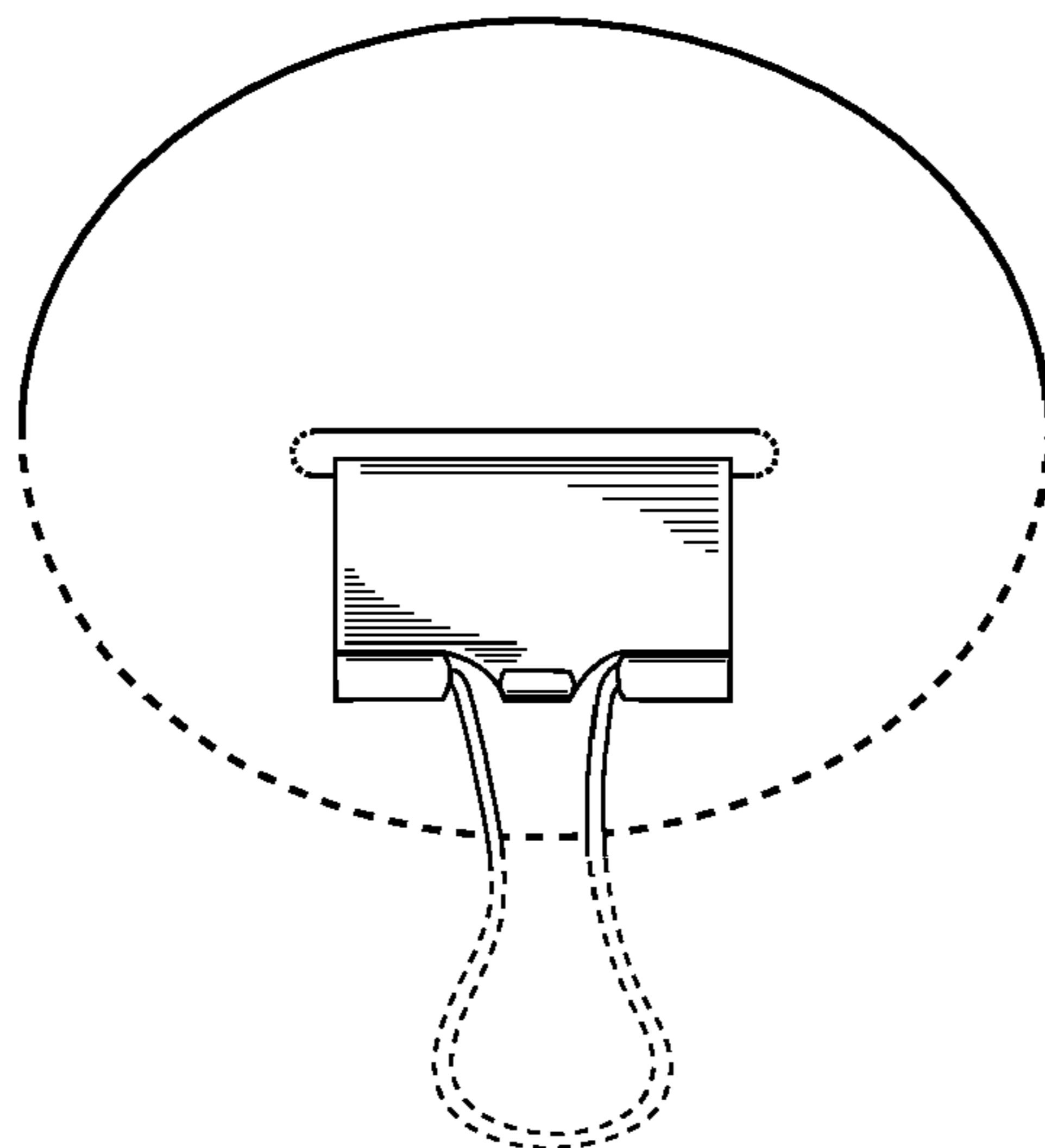
FIG. 14 shows a back view of FIG. 9. A front view is a mirror image of the back view.

FIG. 15 shows a top view of FIG. 9; and,

FIG. 16 shows a bottom view of FIG. 9.

The surfaces of the note are entirely unclaimed except for the edge lines that are shown as solid lines. The broken-line features in the figures are for illustrative purposes only and form no part of the claimed design.

1 Claim, 2 Drawing Sheets



US D672,394 S

Page 2

U.S. PATENT DOCUMENTS

D562,399 S *	2/2008	Lau	D19/65	D568,397 S *	5/2008	Lau	D19/65
D562,400 S *	2/2008	Lau	D19/65	D568,398 S *	5/2008	Lau	D19/65
D562,899 S *	2/2008	Lau	D19/65	D573,190 S *	7/2008	Lau	D19/65
D562,900 S *	2/2008	Lau	D19/65	7,434,343 B2 *	10/2008	Yoshida	40/666
D562,901 S *	2/2008	Lau	D19/65	D580,981 S *	11/2008	Lau	D19/65
D564,590 S *	3/2008	Lau	D19/65	D588,197 S *	3/2009	Lau	D19/65
D564,591 S *	3/2008	Lau	D19/65	D661,184 S *	6/2012	Barrett et al.	D9/434
D565,107 S *	3/2008	Lau	D19/65	D663,774 S *	7/2012	Lau	D19/65
D565,108 S *	3/2008	Lau	D19/65	2006/0097510 A1 *	5/2006	Sharpe	283/36
D566,185 S *	4/2008	Lau	D19/65	2009/0134615 A1 *	5/2009	Green et al.	283/37
D566,769 S *	4/2008	Lau	D19/65	2010/0313393 A1 *	12/2010	Kim et al.	24/67 R

* cited by examiner

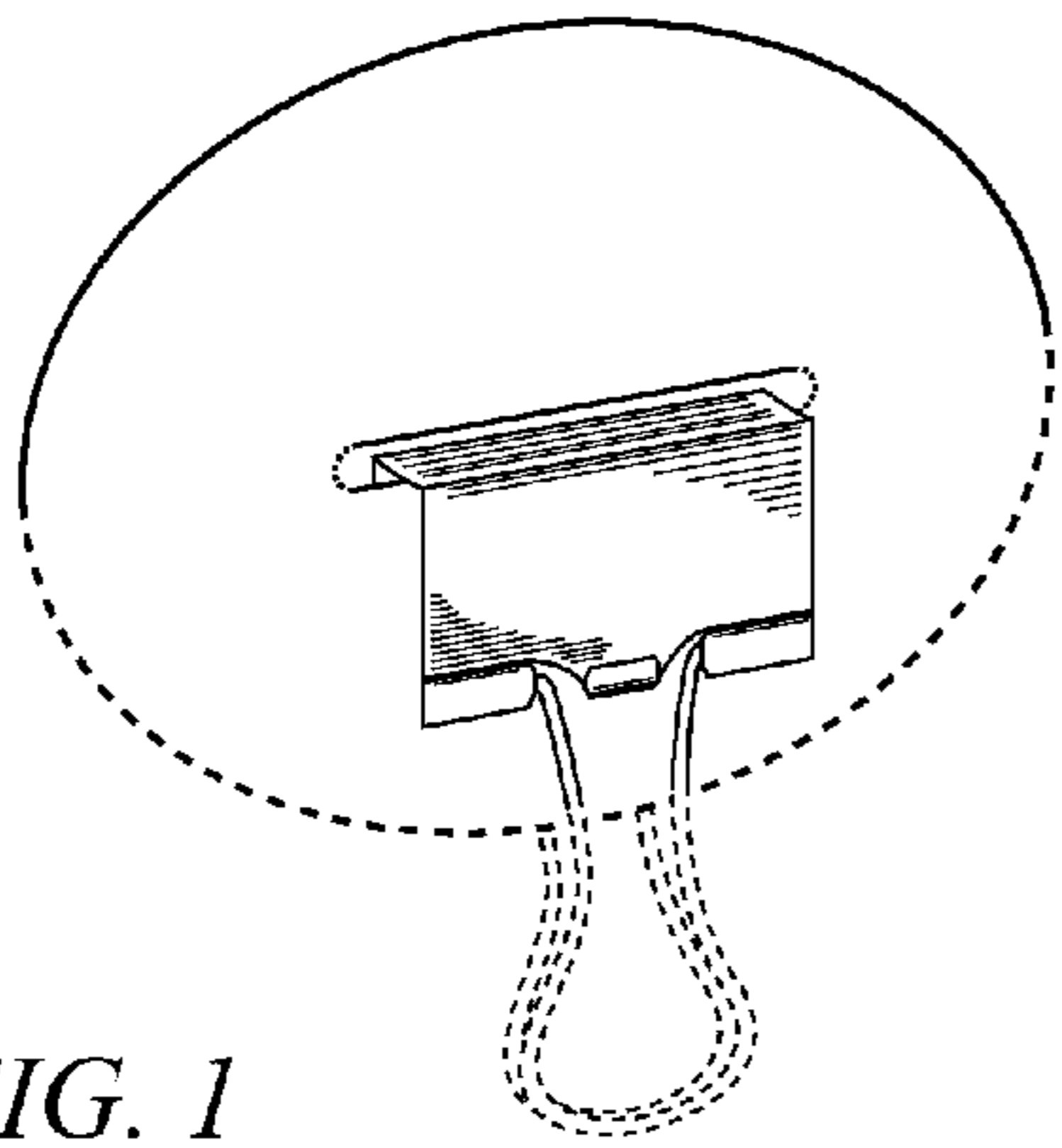


FIG. 1

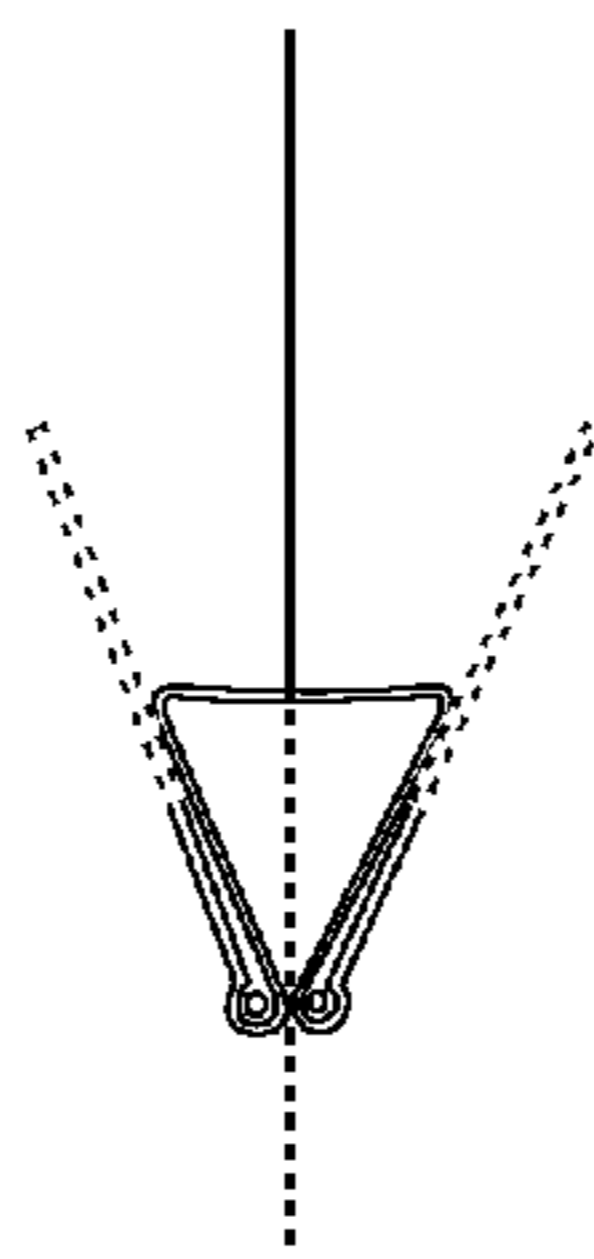


FIG. 2

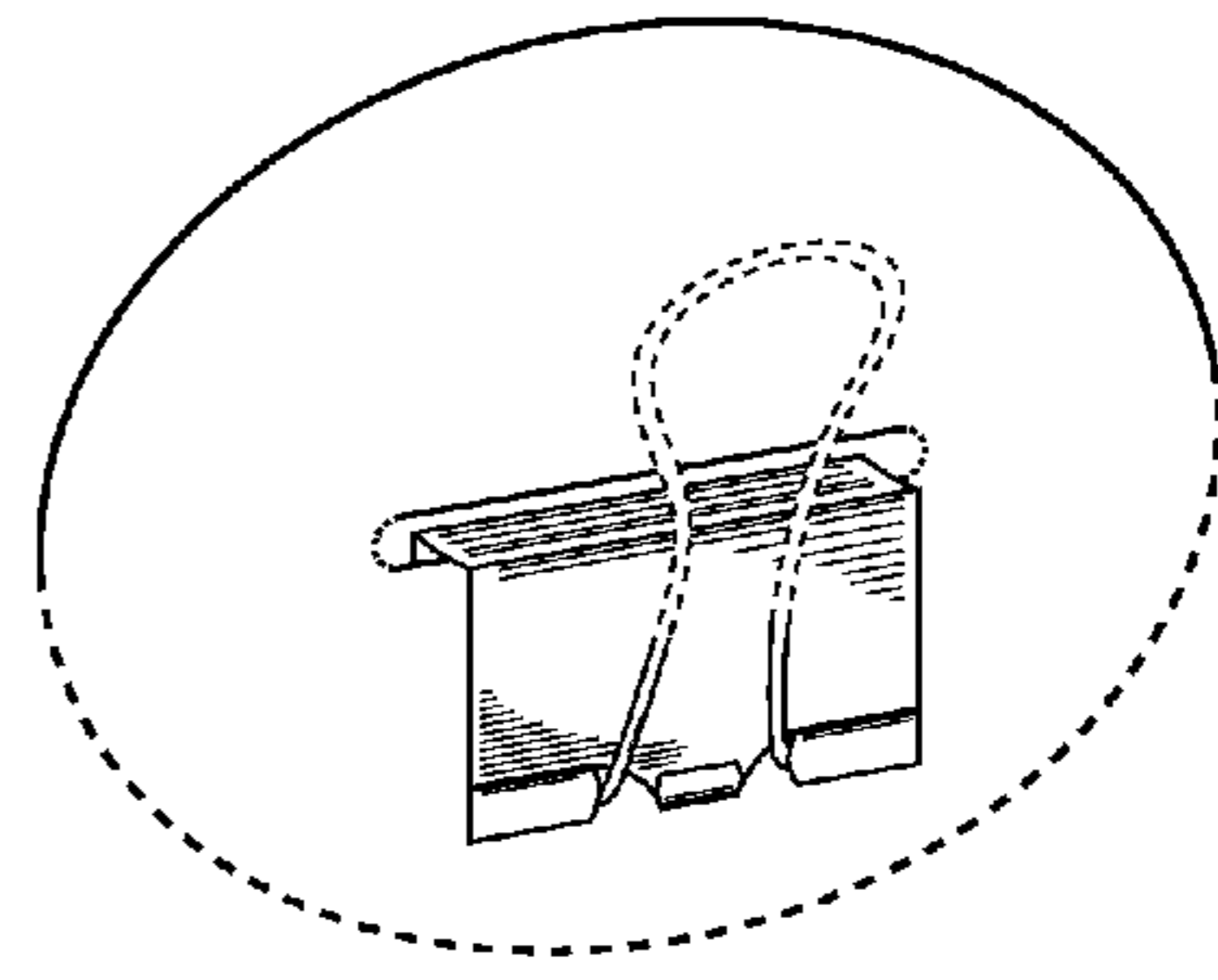


FIG. 3

FIG. 7

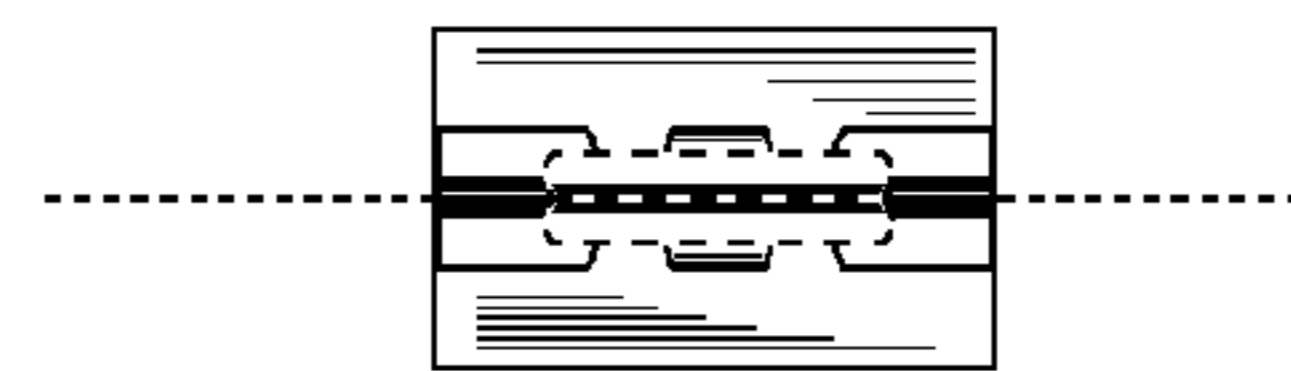
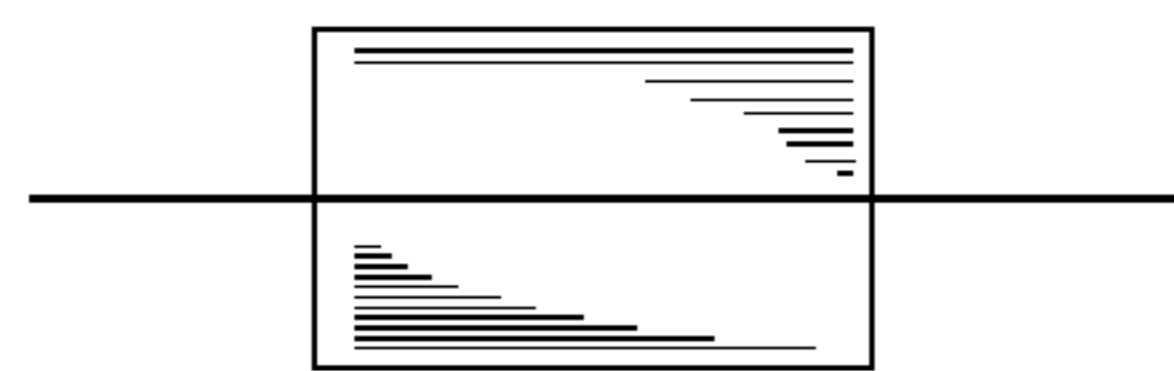


FIG. 8

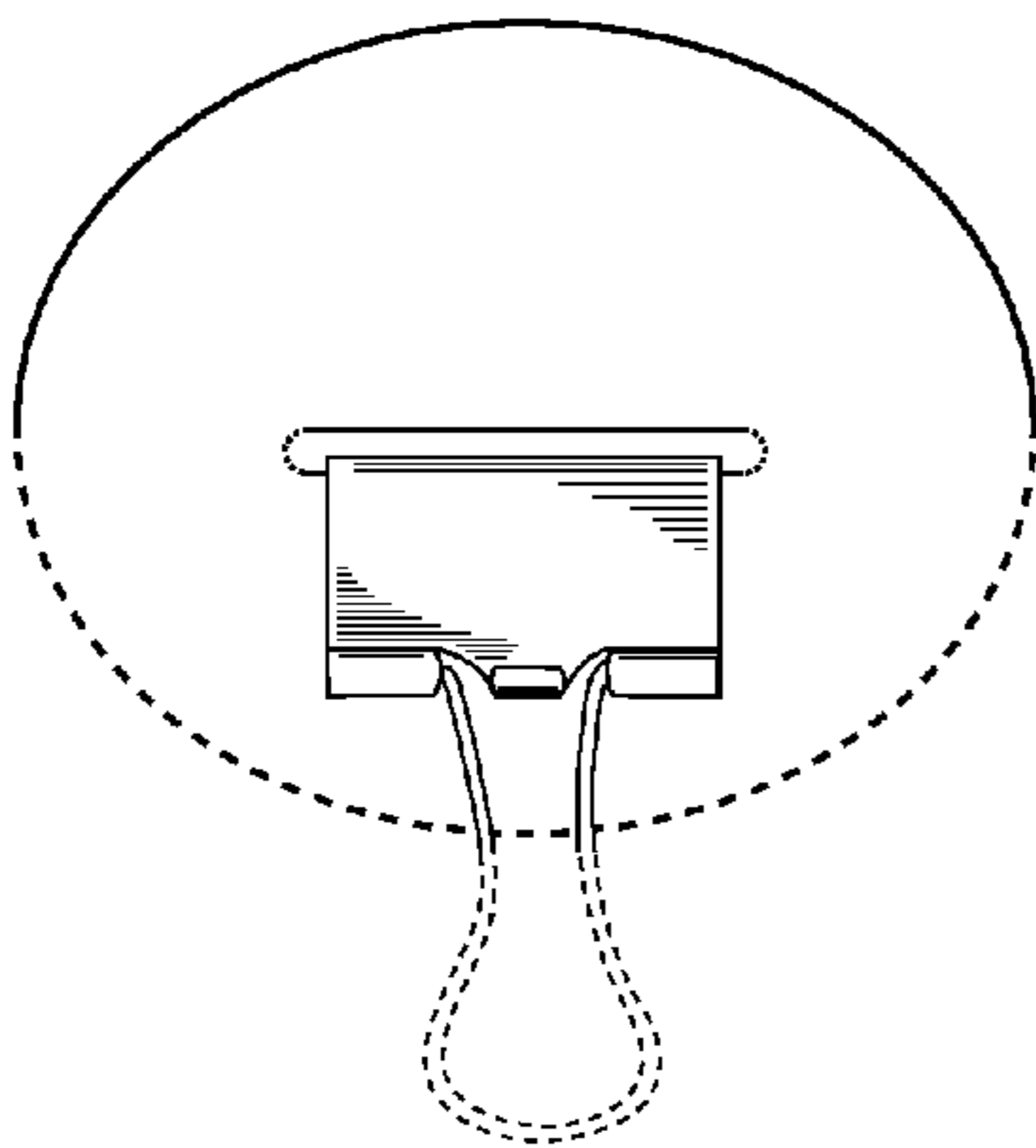


FIG. 4

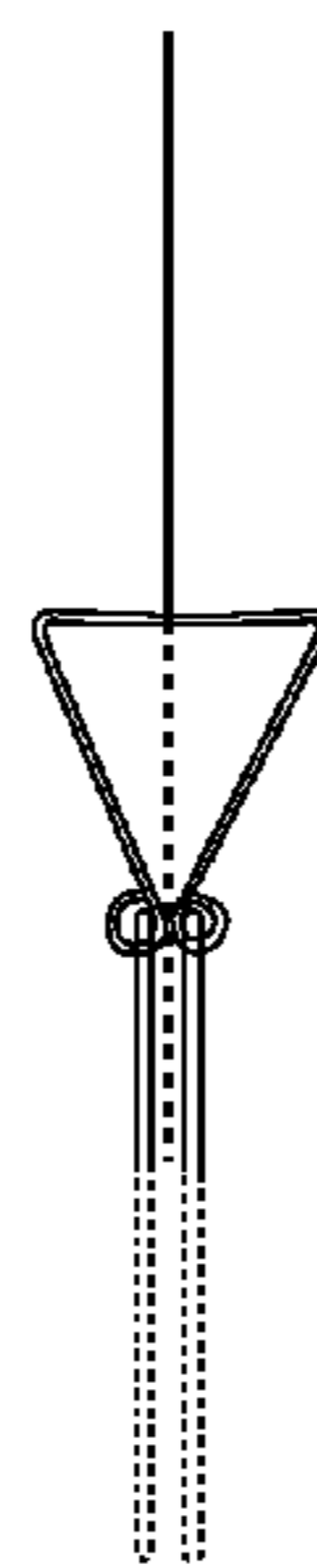


FIG. 5

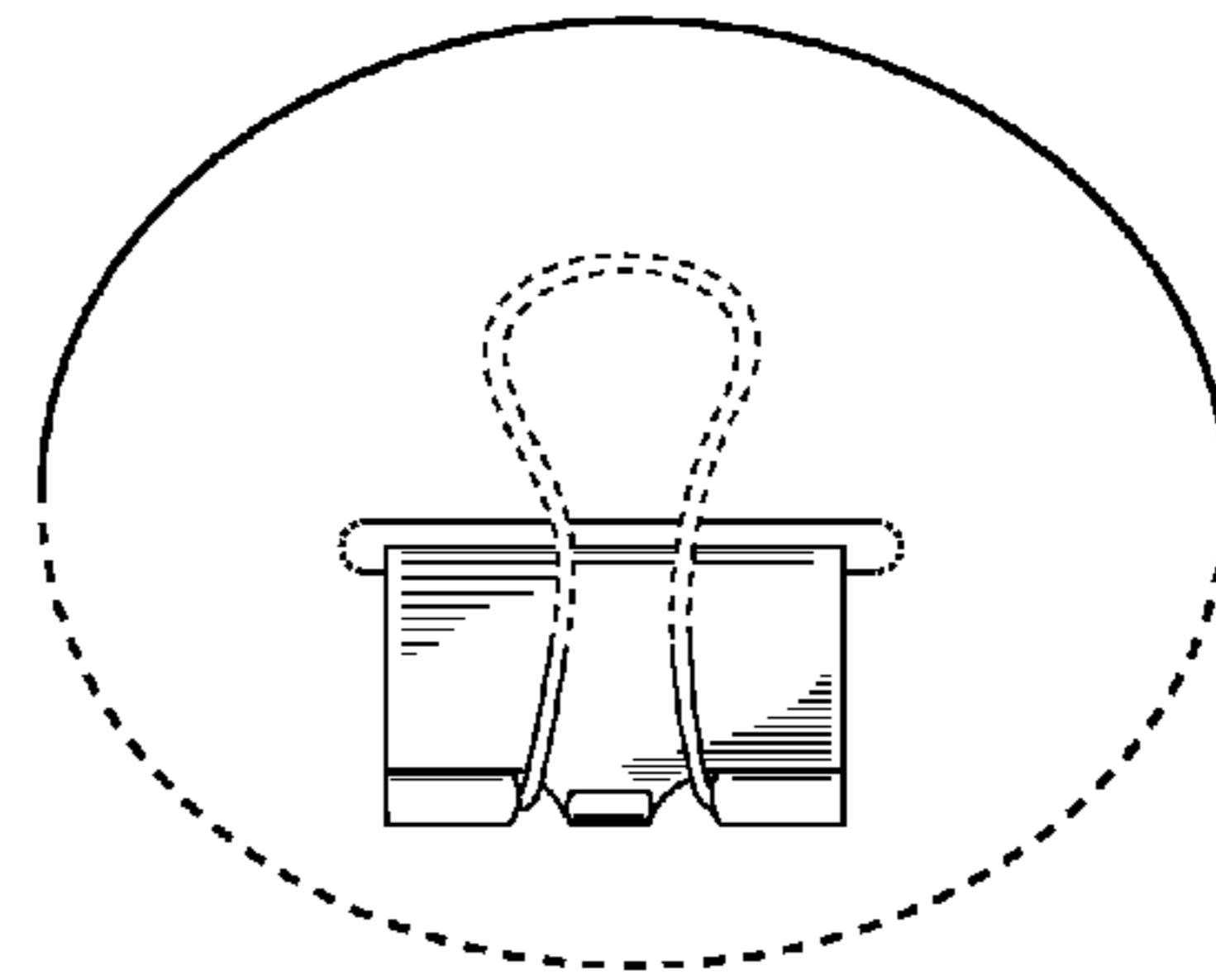


FIG. 6

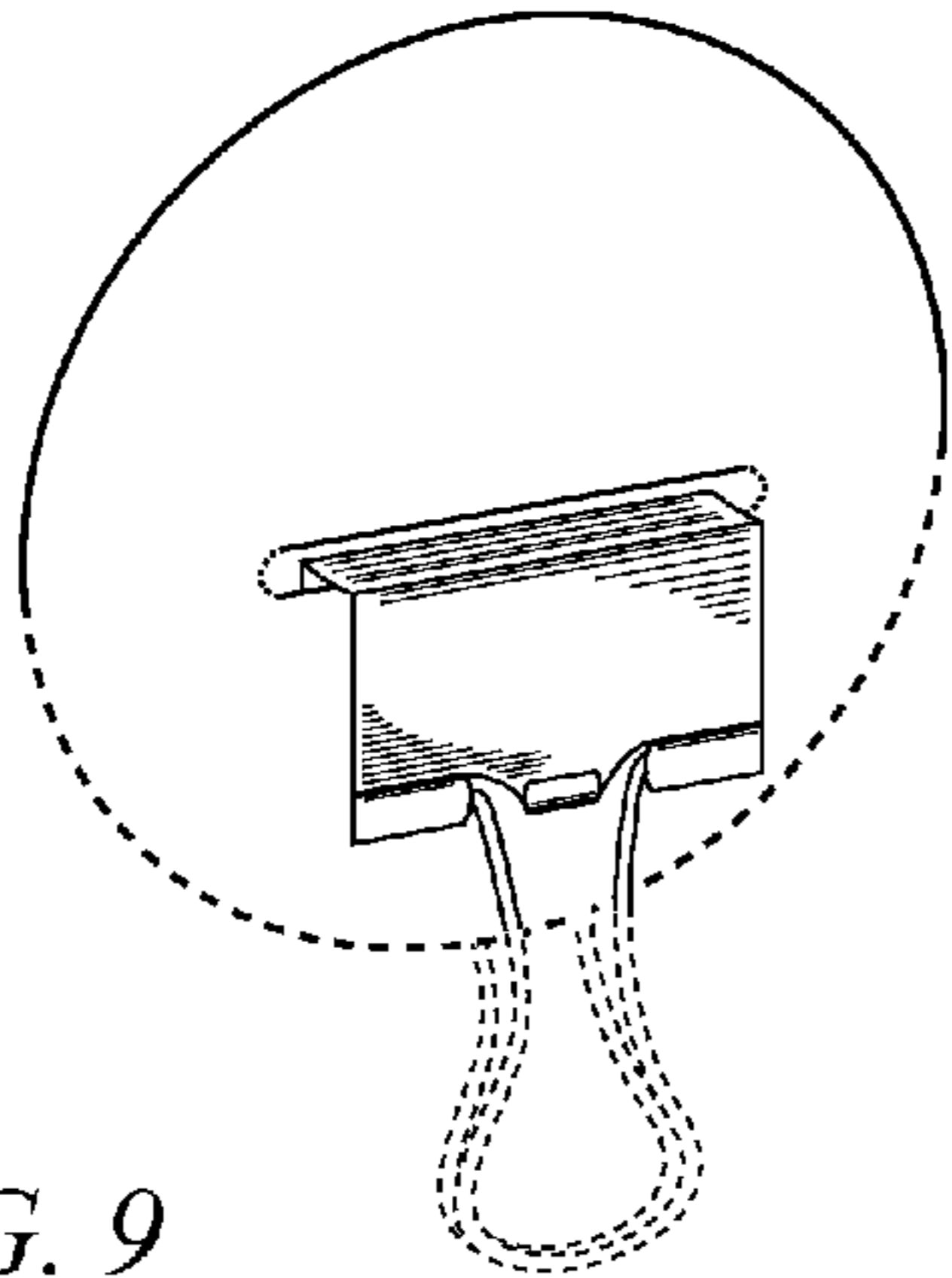


FIG. 9

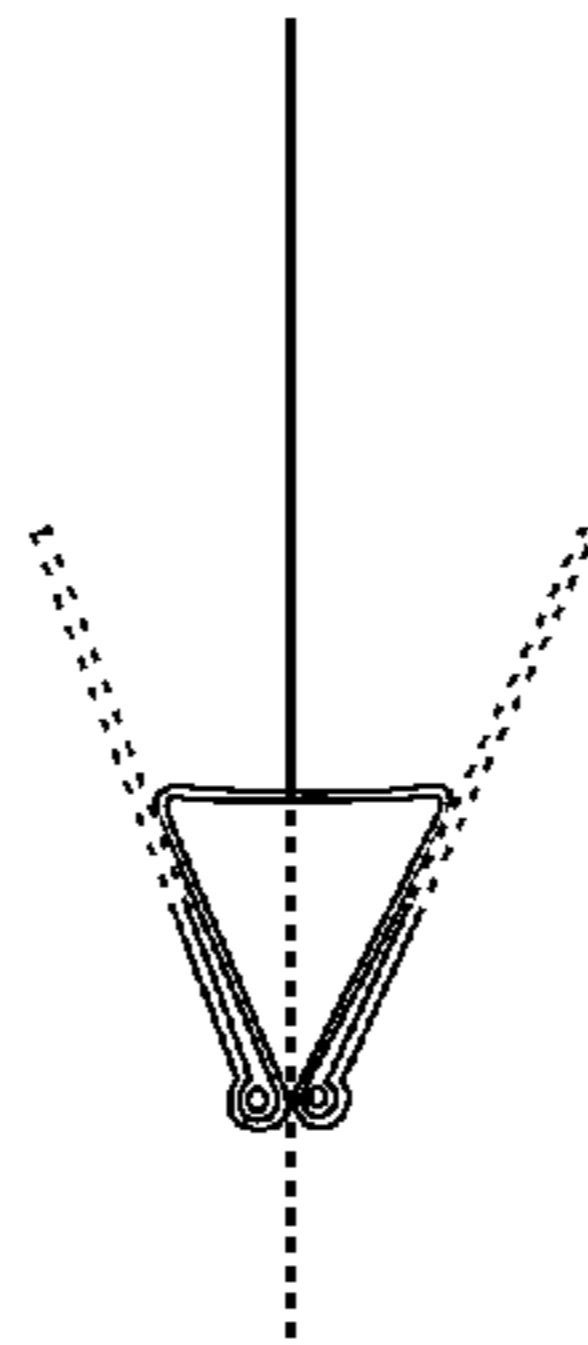


FIG. 10

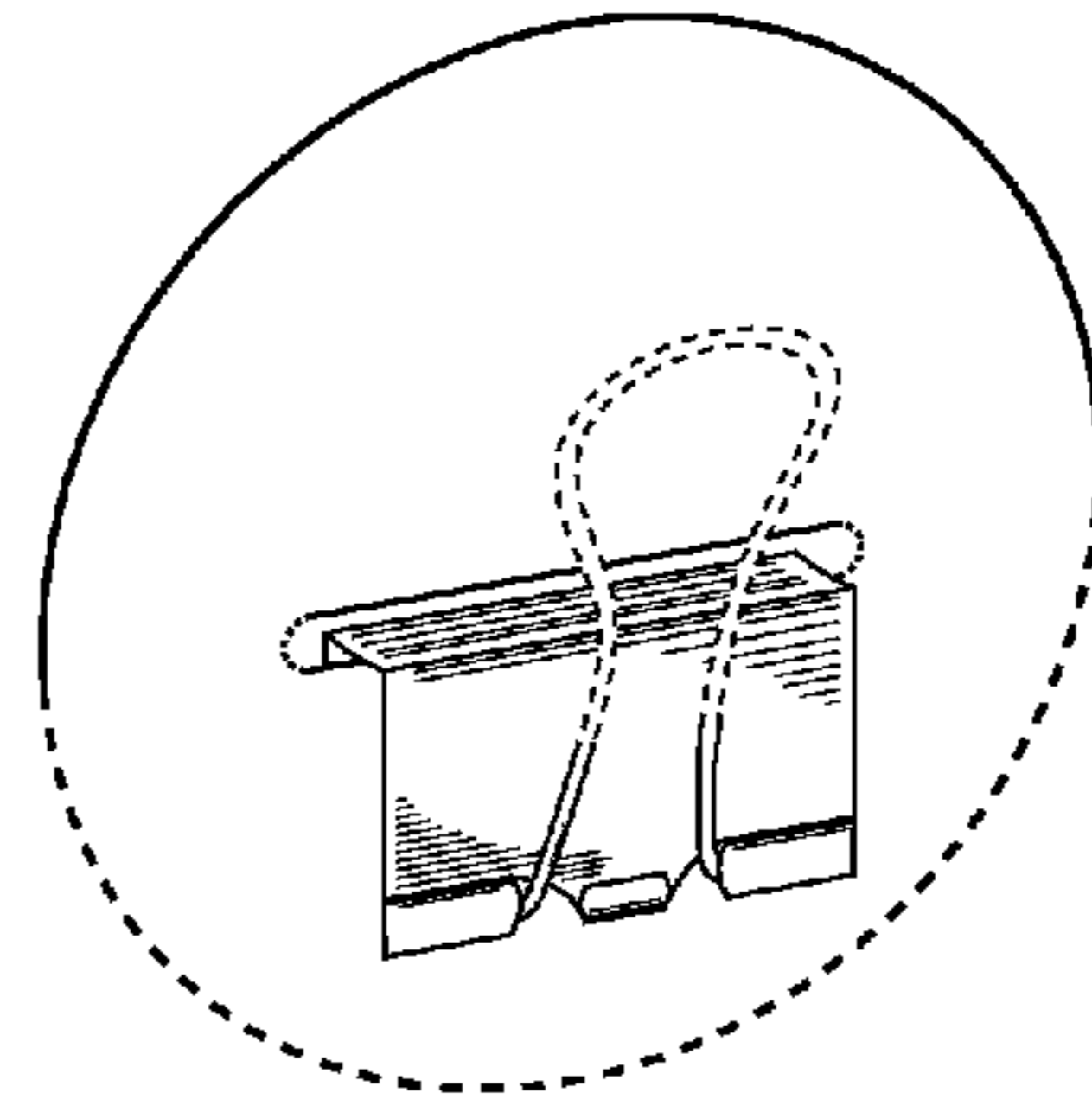


FIG. 11

FIG. 15

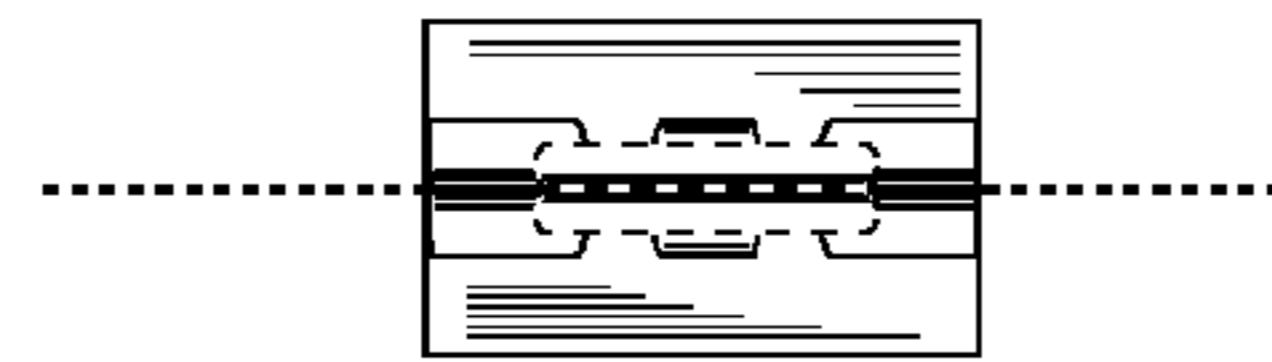


FIG. 16

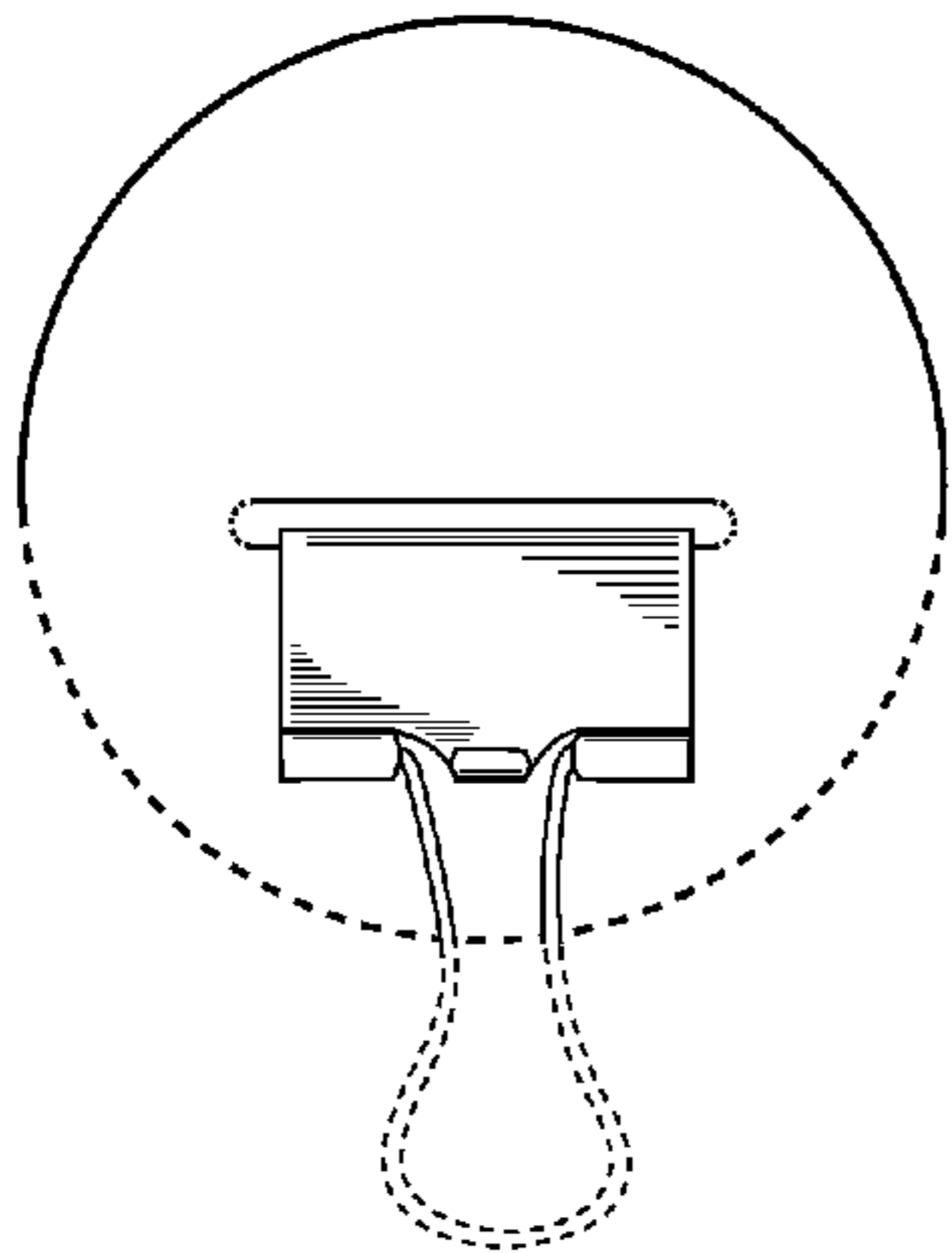


FIG. 12

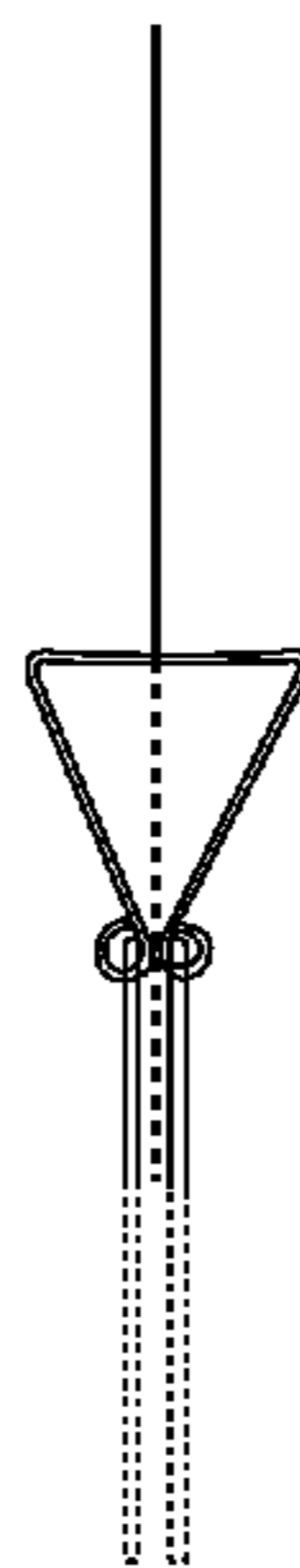


FIG. 13

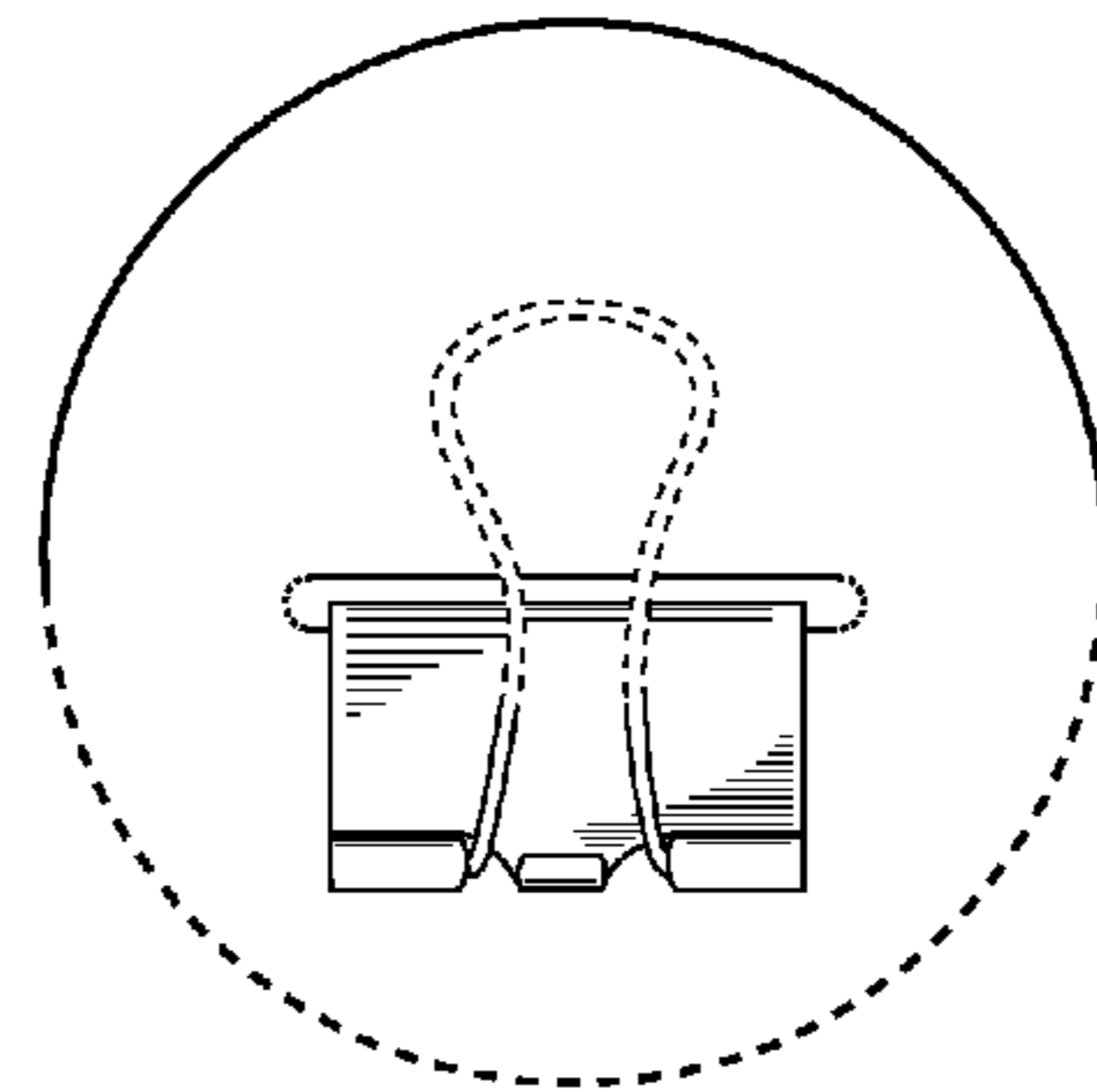


FIG. 14