



US00D672389S

(12) **United States Design Patent**
Mullen et al.

(10) **Patent No.:** **US D672,389 S**
(45) **Date of Patent:** **** *Dec. 11, 2012**

(54) **MULTIPLE BUTTON INTERACTIVE ELECTRONIC CARD WITH LIGHT SOURCES**

(75) Inventors: **Jeffrey D. Mullen**, Pittsburgh, PA (US);
Philip W. Yen, Cupertino, CA (US);
Bruce S. Cloutier, Jeannette, PA (US)

(73) Assignee: **Dynamics Inc.**, Pittsburgh, PA (US)

(*) Notice: This patent is subject to a terminal disclaimer.

(**) Term: **14 Years**

(21) Appl. No.: **29/365,106**

(22) Filed: **Jul. 2, 2010**

(51) **LOC (9) Cl.** **19-08**

(52) **U.S. Cl.** **D19/9**

(58) **Field of Classification Search** D19/1-12,
D19/20-34; 40/124.01-124.15, 672, 661,
40/726, 776; 283/72, 74-75, 103, 105-106,
283/82, 107, 70, 904; 206/449; D21/385;
D20/10, 22, 27, 40, 42, 11; D14/435-437;
360/2; 235/380, 382

See application file for complete search history.

(56) **References Cited**

U.S. PATENT DOCUMENTS

4,353,064 A	10/1982	Stamm
4,394,654 A	7/1983	Hofmann-Cerfontaine
4,614,861 A	9/1986	Pavlov et al.
4,667,087 A	5/1987	Quintana
4,701,601 A	10/1987	Francini et al.
4,720,860 A	1/1988	Weiss
4,786,791 A	11/1988	Hodama
4,791,283 A	12/1988	Burkhardt
4,797,542 A	1/1989	Hara
5,038,251 A	8/1991	Sugiyama et al.
5,168,520 A	12/1992	Weiss
5,237,614 A	8/1993	Weiss
5,276,311 A	1/1994	Hennige
5,347,580 A	9/1994	Molva et al.
5,361,062 A	11/1994	Weiss et al.

5,412,199 A	5/1995	Finkelstein et al.
5,434,398 A	7/1995	Goldberg
5,434,405 A	7/1995	Finkelstein et al.
5,478,994 A	12/1995	Rahman
5,479,512 A	12/1995	Weiss
5,484,997 A	1/1996	Haynes
5,485,519 A	1/1996	Weiss
5,585,787 A	12/1996	Wallerstein
5,591,949 A	1/1997	Bernstein
5,608,203 A	3/1997	Finkelstein et al.

(Continued)

FOREIGN PATENT DOCUMENTS

JP 05210770 A 8/1993

(Continued)

OTHER PUBLICATIONS

U.S. Appl. No. 60/594,300, Poidomani et al.

(Continued)

Primary Examiner — Caron D Veynar

Assistant Examiner — Abraham Bahta

(57) **CLAIM**

The ornamental design for a multiple button interactive electronic card with light sources, as shown and described.

DESCRIPTION

FIG. 1 is a front, bottom, and left side perspective view of our new design for a multiple button interactive electronic card with light sources;

FIG. 2 is a front, top, and left side perspective view thereof;

FIG. 3 is a front side view thereof;

FIG. 4 is a back side view thereof;

FIG. 5 is a top side view thereof;

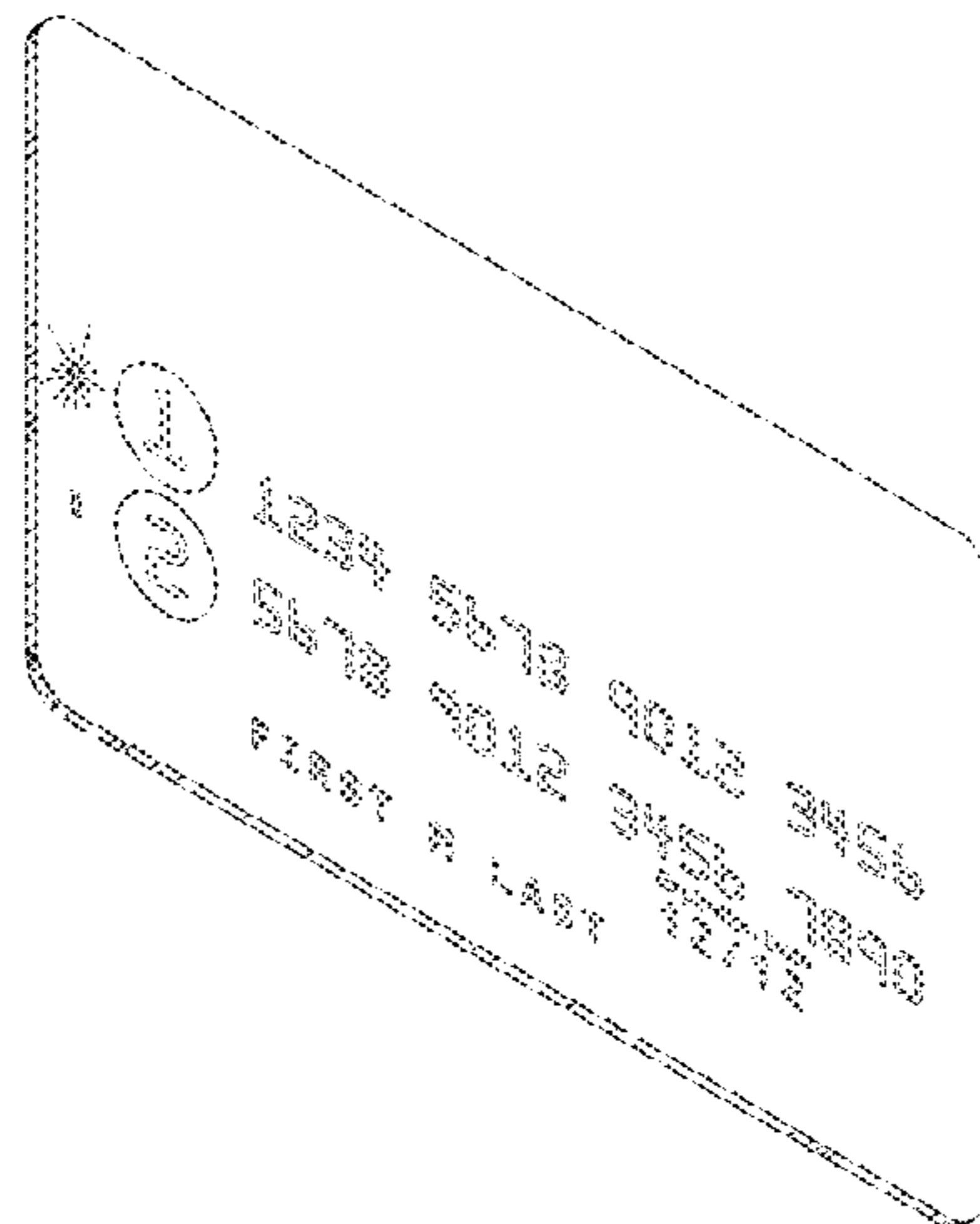
FIG. 6 is a bottom side view thereof;

FIG. 7 is a left side view thereof; and,

FIG. 8 is a right side view thereof.

The broken lines showing environment in the drawings are for illustrative purposes only and form no part of the claimed design.

1 Claim, 5 Drawing Sheets



2006/0161435 A1 7/2006 Atef et al.
 2006/0163353 A1 7/2006 Moulette et al.
 2006/0174104 A1 8/2006 Crichton et al.
 2006/0196931 A1 9/2006 Holtmanns et al.
 2006/0256961 A1 11/2006 Brainard et al.
 2007/0034700 A1 2/2007 Poidomani et al.
 2007/0114274 A1 5/2007 Gibbs et al.
 2007/0124321 A1 5/2007 Szydlo
 2007/0152070 A1 7/2007 D'Albore
 2007/0152072 A1 7/2007 Frallicciardi et al.
 2007/0153487 A1 7/2007 Frallicciardi et al.
 2007/0174614 A1 7/2007 Duane et al.
 2007/0192249 A1 8/2007 Biffle et al.
 2007/0241183 A1 10/2007 Brown et al.
 2007/0241201 A1 10/2007 Brown et al.
 2007/0256123 A1 11/2007 Duane et al.
 2007/0291753 A1 12/2007 Romano
 2008/0005510 A1 1/2008 Sepe et al.
 2008/0008315 A1 1/2008 Fontana et al.
 2008/0008322 A1 1/2008 Fontana et al.
 2008/0010675 A1 1/2008 Massascusa et al.
 2008/0016351 A1 1/2008 Fontana et al.
 2008/0019507 A1 1/2008 Fontana et al.
 2008/0028447 A1 1/2008 O'Malley et al.
 2008/0040271 A1 2/2008 Hammad et al.
 2008/0040276 A1 2/2008 Hammad et al.
 2008/0058016 A1 3/2008 Di Maggio et al.
 2008/0059379 A1 3/2008 Ramaci et al.
 2008/0096326 A1 4/2008 Reed
 2008/0126398 A1 5/2008 Cimino
 2008/0128515 A1 6/2008 Di Iorio
 2008/0148394 A1 6/2008 Poidomani et al.
 2008/0201264 A1 8/2008 Brown et al.
 2008/0209550 A1 8/2008 Di Iorio
 2008/0288699 A1 11/2008 Chichierchia
 2008/0294930 A1 11/2008 Varone et al.

2008/0302877 A1 12/2008 Musella et al.
 2009/0013122 A1 1/2009 Sepe et al.
 2009/0036147 A1 2/2009 Romano
 2009/0046522 A1 2/2009 Sepe et al.
 2009/0108064 A1 4/2009 Fernandes et al.
 2009/0150295 A1 6/2009 Hatch et al.
 2009/0152365 A1 6/2009 Li et al.
 2009/0242648 A1 10/2009 Di Sirio et al.
 2009/0244858 A1 10/2009 Di Sirio et al.
 2009/0253460 A1 10/2009 Varone et al.
 2009/0255996 A1 10/2009 Brown et al.
 2009/0290704 A1 11/2009 Cimino
 2009/0303885 A1 12/2009 Longo
 2011/0028184 A1 2/2011 Cooper

FOREIGN PATENT DOCUMENTS

WO	WO9852735	11/1998
WO	WO0247019	6/2002
WO	WO2006066322	6/2006
WO	WO2006080929	8/2006
WO	WO2006105092	10/2006
WO	WO2006116772	11/2006
WO	WO2008064403	6/2008

OTHER PUBLICATIONS

U.S. Appl. No. 60/675,388, Poidomani et al.
 The Bank Credit Card Business. Second Edition, American Bankers Association, Washington, D.C., 1996.
 A Day in the Life of a Flux Reversal. <http://www.phrack.org/issues.html?issue=37&id=6#article>. As viewed on Apr. 12, 2010.
 Dynamic Virtual Credit Card Numbers. <http://homes.cerias.purdue.edu/~jtli/paper/fc07.pdf>. As viewed Apr. 12, 2010.
 English translation of JP 05210770 A.

* cited by examiner

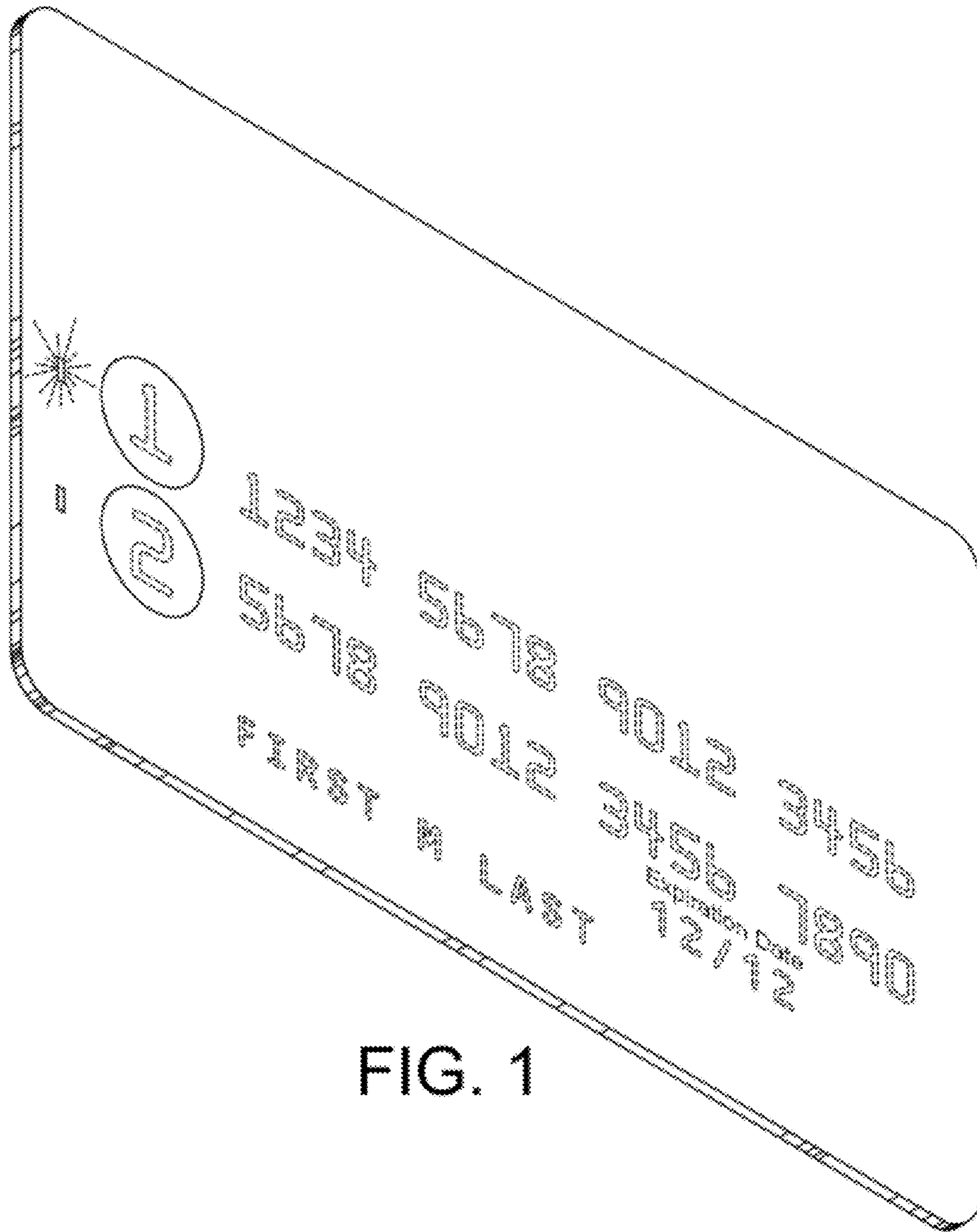


FIG. 1

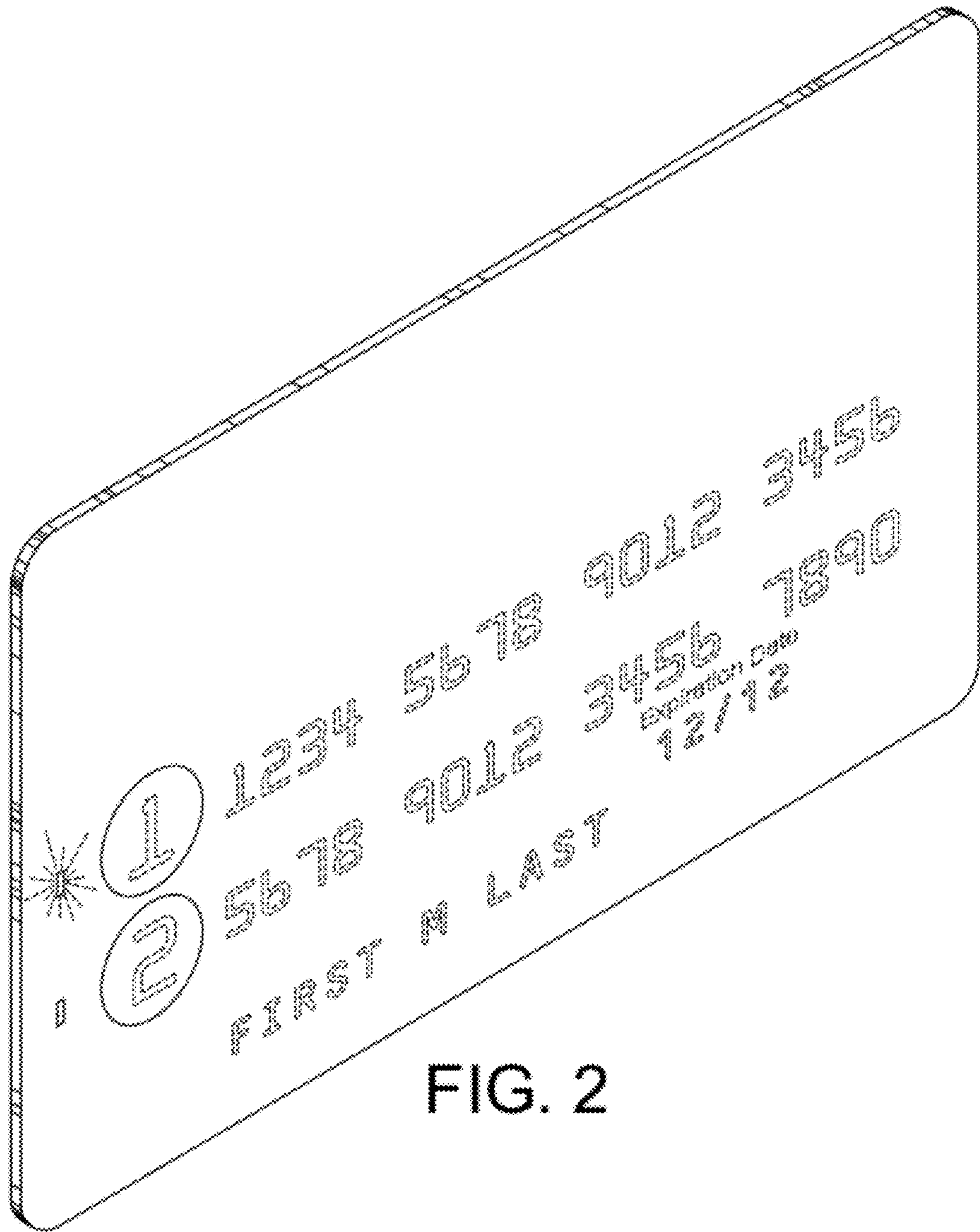


FIG. 2

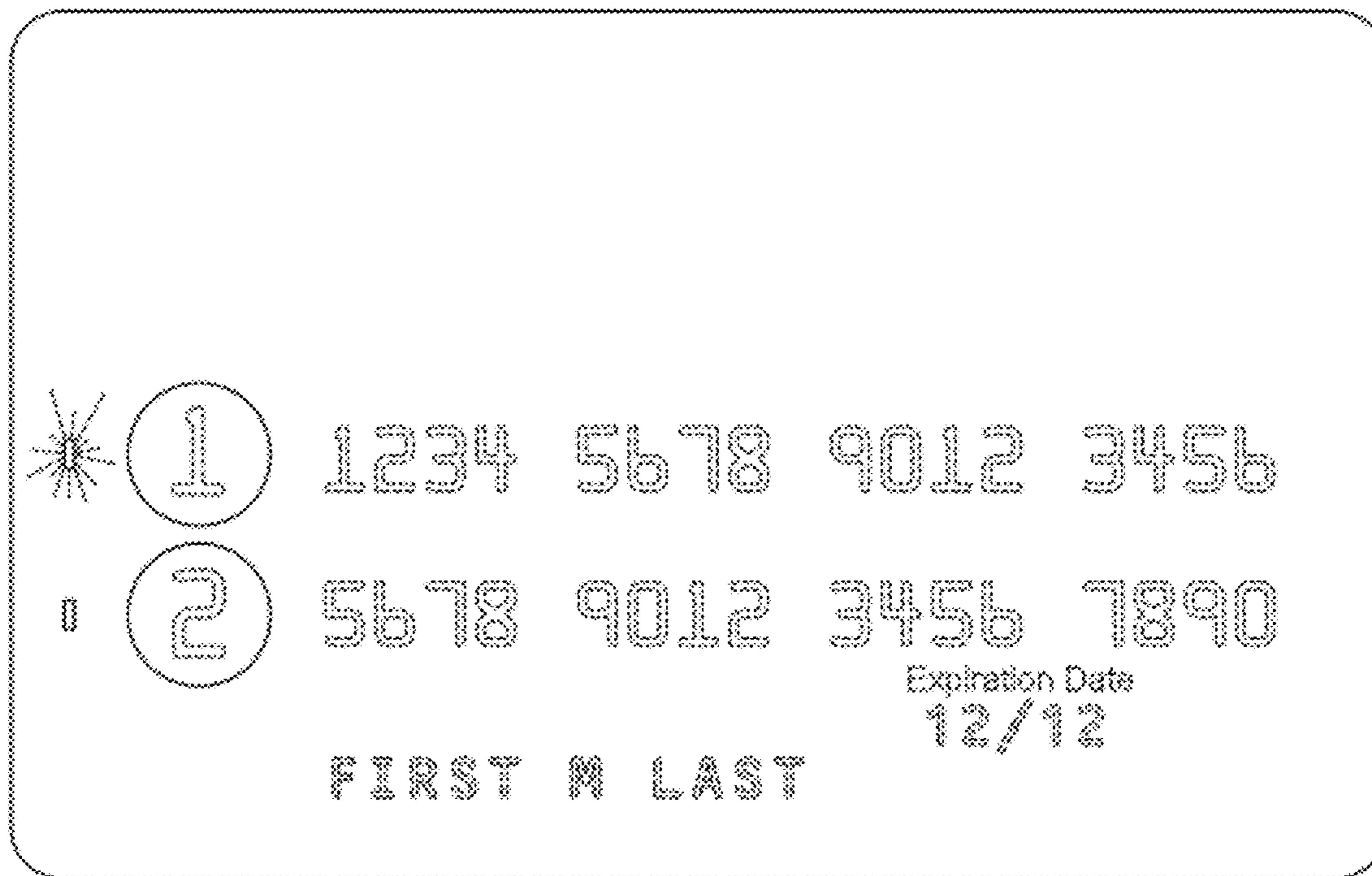


FIG. 3

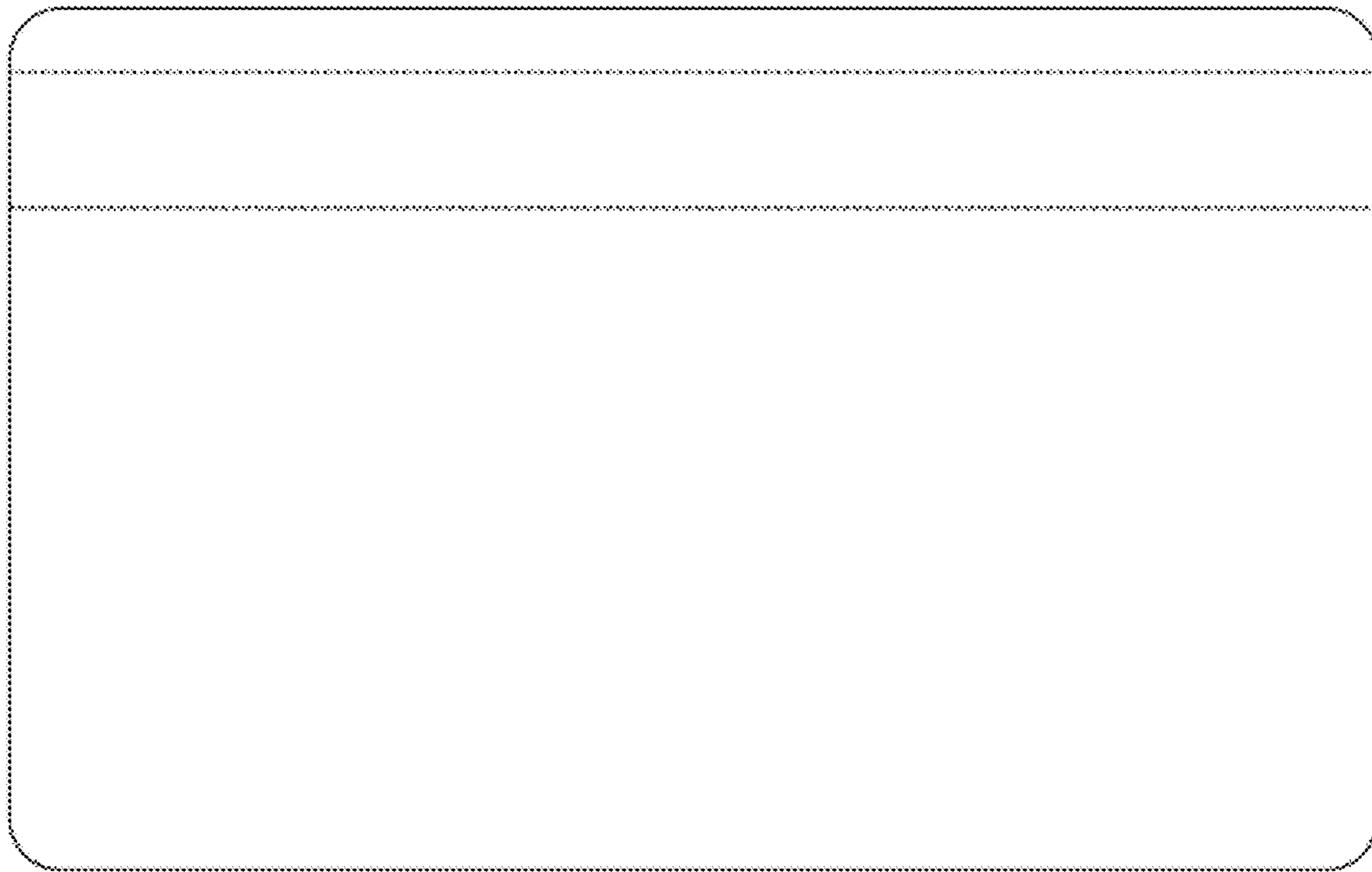


FIG. 4

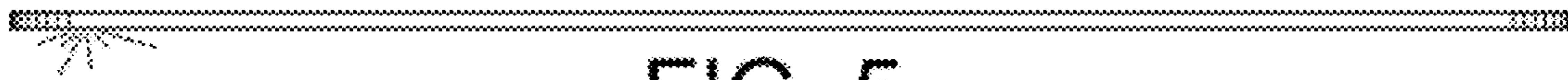


FIG. 5



FIG. 6

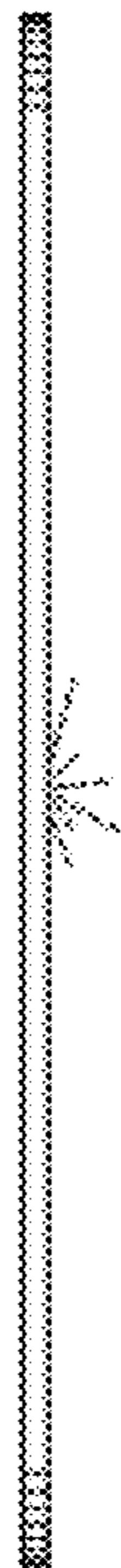


FIG. 7

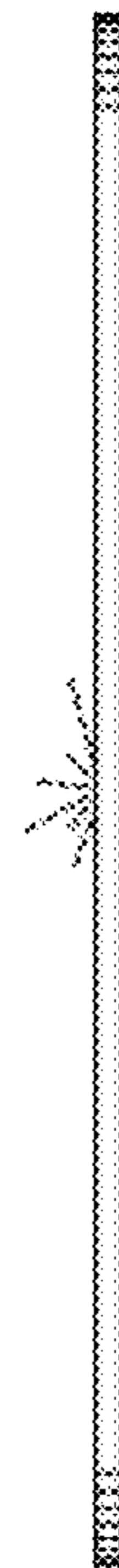


FIG. 8